



US00D876506S

(12) **United States Design Patent**
Apothéloz

(10) **Patent No.:** **US D876,506 S**

(45) **Date of Patent:** **** Feb. 25, 2020**

- (54) **MICROSCOPE**
- (71) Applicant: **Leica Microsystems CMS GmbH,**
Wetzlar (DE)
- (72) Inventor: **Christophe Apothéloz,** Zurich (CH)
- (73) Assignee: **Leica Microsystems CMS GmbH,**
Wetzlar (DE)
- (**) Term: **15 Years**
- (21) Appl. No.: **29/621,278**
- (22) Filed: **Oct. 6, 2017**
- (30) **Foreign Application Priority Data**
Apr. 8, 2017 (EM) 003848605-0002
- (51) **LOC (12) Cl.** **16-06**
- (52) **U.S. Cl.**
USPC **D16/131**
- (58) **Field of Classification Search**
USPC D16/130–136
CPC F41G 3/08
See application file for complete search history.

- D708,244 S * 7/2014 Matoba H01J 37/26
D16/131
- D708,245 S * 7/2014 Matoba H01J 37/26
D16/131
- D711,950 S * 8/2014 Matoba D16/131
- D715,843 S * 10/2014 Kawai D16/131
- D724,128 S * 3/2015 Muraoka D16/131
- D740,947 S * 10/2015 Tam D24/163
- D794,816 S * 8/2017 Koyama D24/224
- D824,445 S * 7/2018 Apotheloz D16/131
- D827,008 S * 8/2018 Okada D16/131
- D841,069 S * 2/2019 Ihara D16/131
- D851,151 S * 6/2019 Masuda D16/131

* cited by examiner

Primary Examiner — Holly E Thurman
(74) *Attorney, Agent, or Firm* — Crowell & Moring LLP

(57) **CLAIM**

The ornamental design for a microscope, as shown and described.

DESCRIPTION

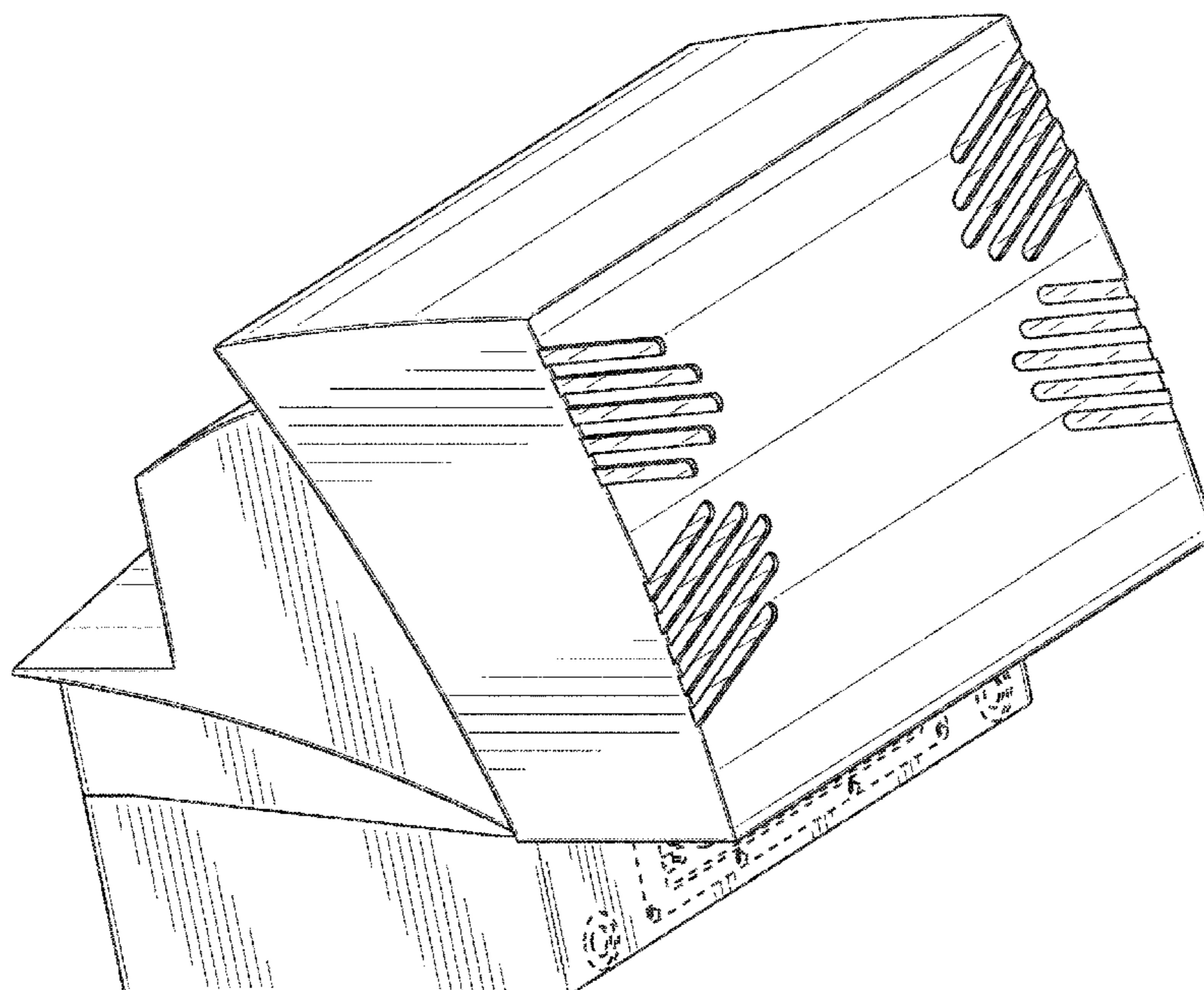
This application contains subject matter related to the following co-pending U.S. design patent application: Application Ser. No. 29/621,277, filed herewith and entitled “microscope”.

FIG. 1 is a left, front perspective view of a microscope according to the design;
FIG. 2 is a front view thereof;
FIG. 3 is a rear view thereof;
FIG. 4 is a left side view thereof;
FIG. 5 is a right side view thereof;
FIG. 6 is a top view thereof; and,
FIG. 7 is a bottom view thereof.

The broken lines in the drawings illustrate environmental subject matter only and form no part of the claimed design.

1 Claim, 7 Drawing Sheets

- (56) **References Cited**
U.S. PATENT DOCUMENTS
- D226,283 S * 2/1973 Shield D16/131
- D369,353 S * 4/1996 Hofmann-Igl D14/423
- D517,581 S * 3/2006 Apotheloz D16/131
- D575,809 S * 8/2008 Hebiishi D16/131
- D632,323 S * 2/2011 Oonuma D16/131
- D633,537 S * 3/2011 Oonuma D16/131
- D633,538 S * 3/2011 Oonuma D16/131
- D656,978 S * 4/2012 Stoiakine D16/131
- D690,341 S * 9/2013 Tsuda D16/131
- D690,754 S * 10/2013 Tsuda D16/131



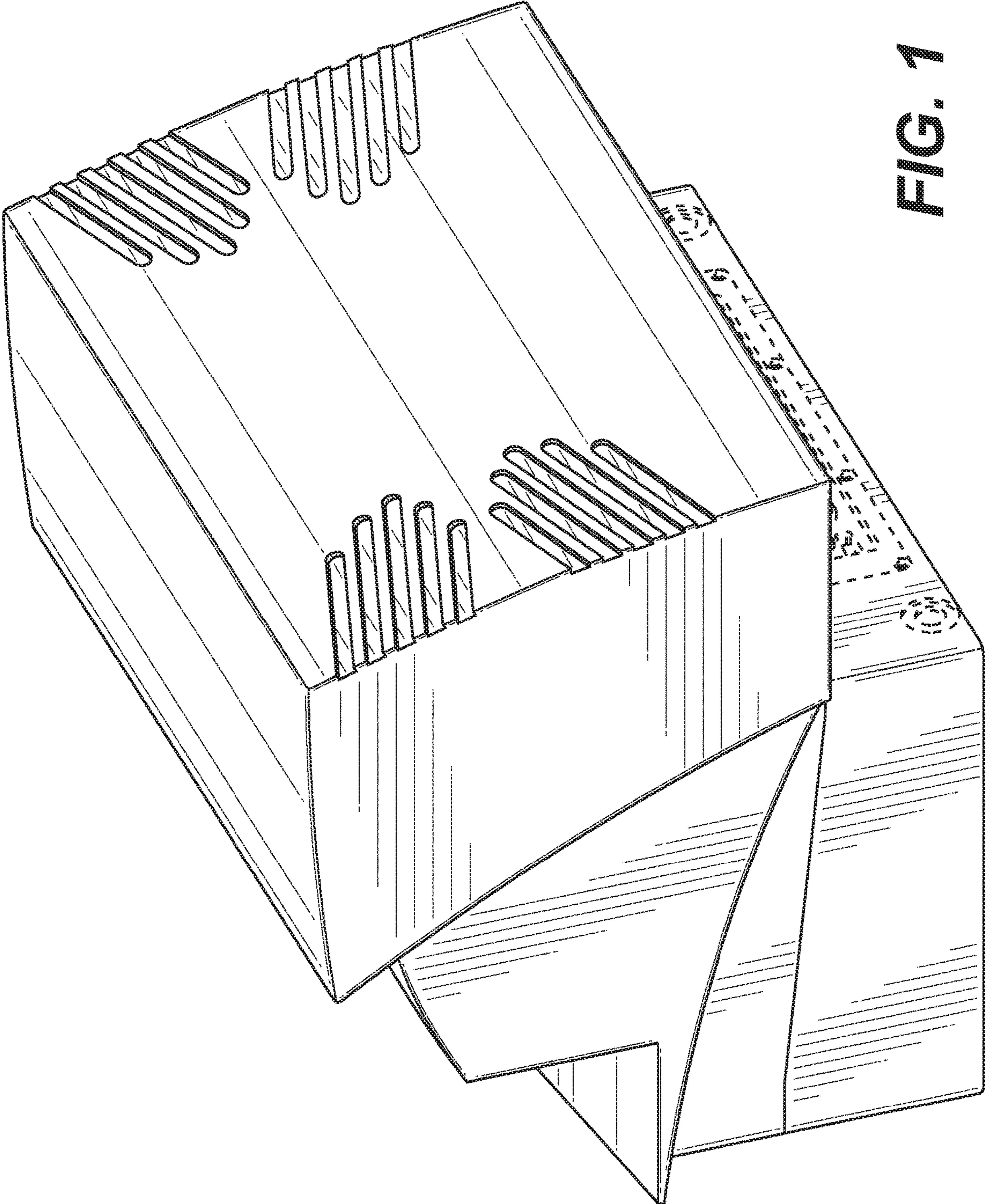


FIG. 1

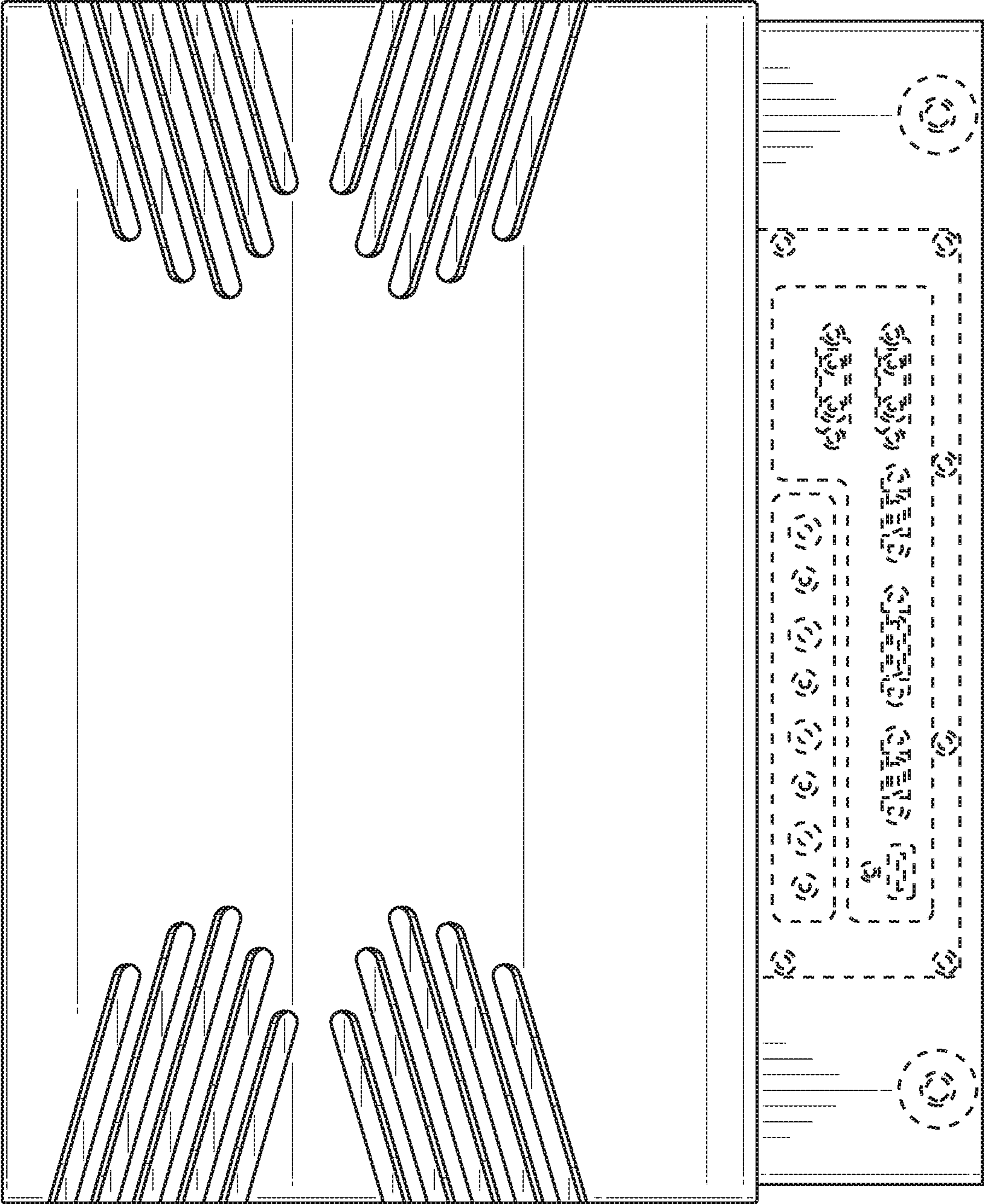


FIG. 2

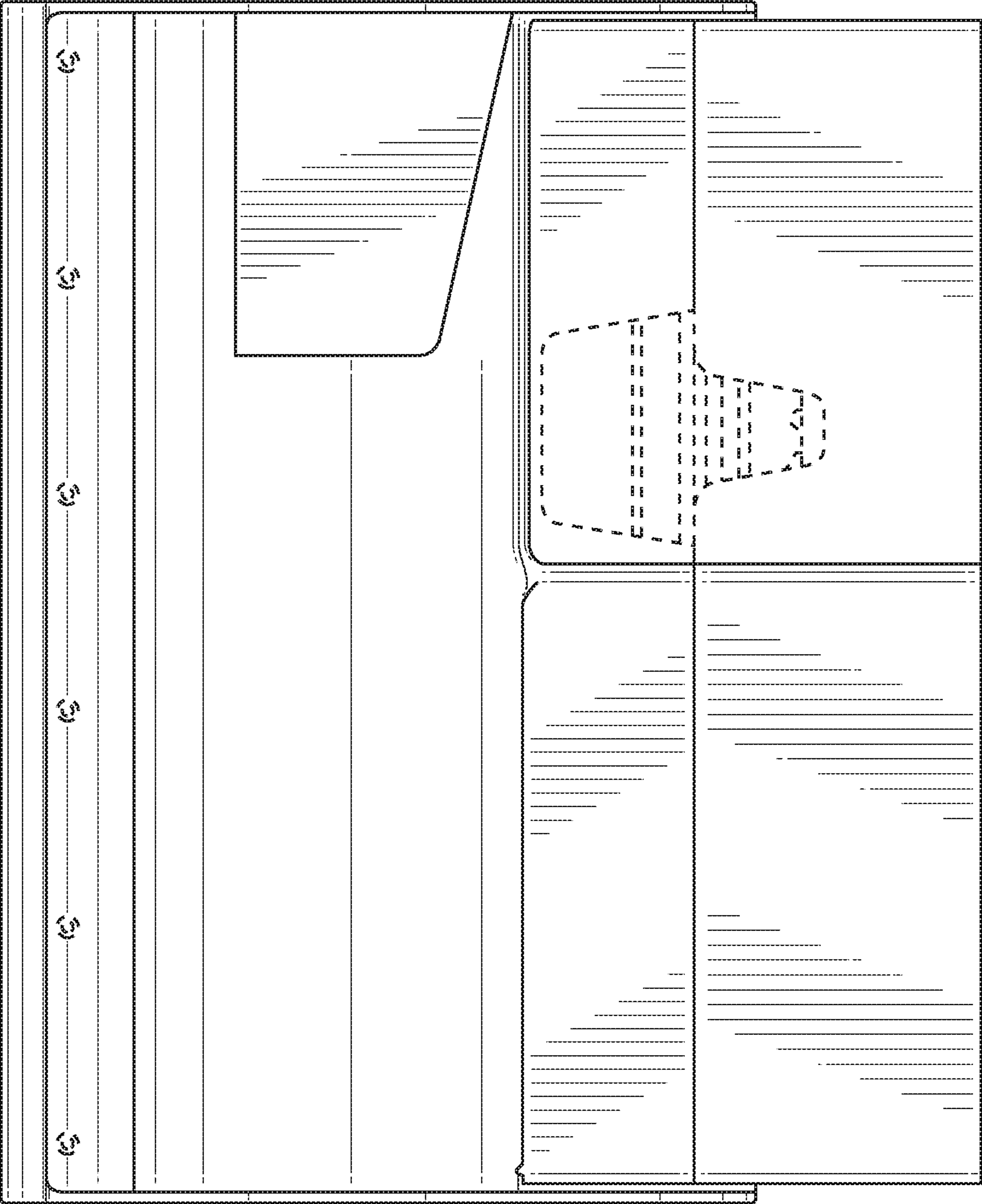


FIG. 3

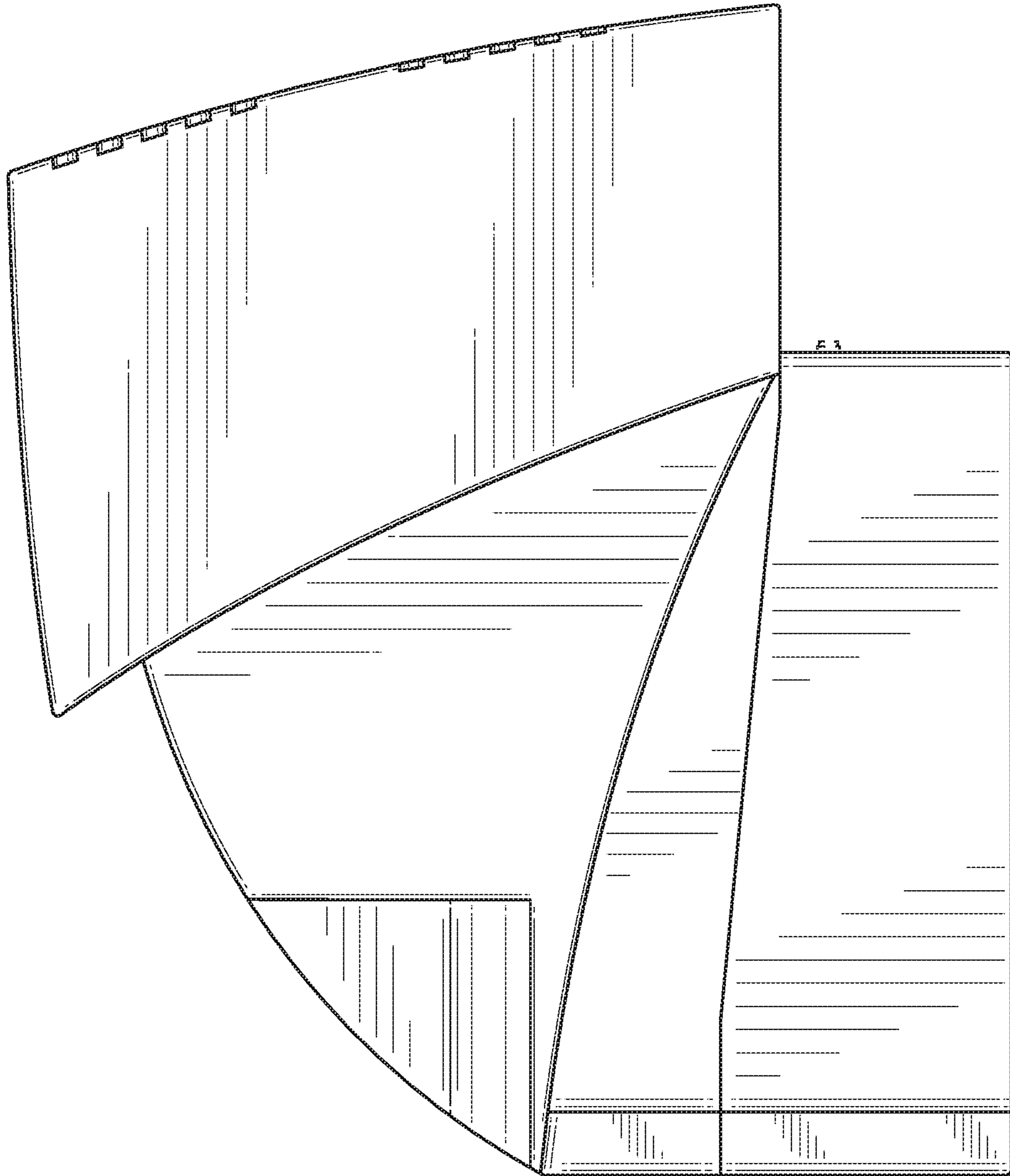


FIG. 4

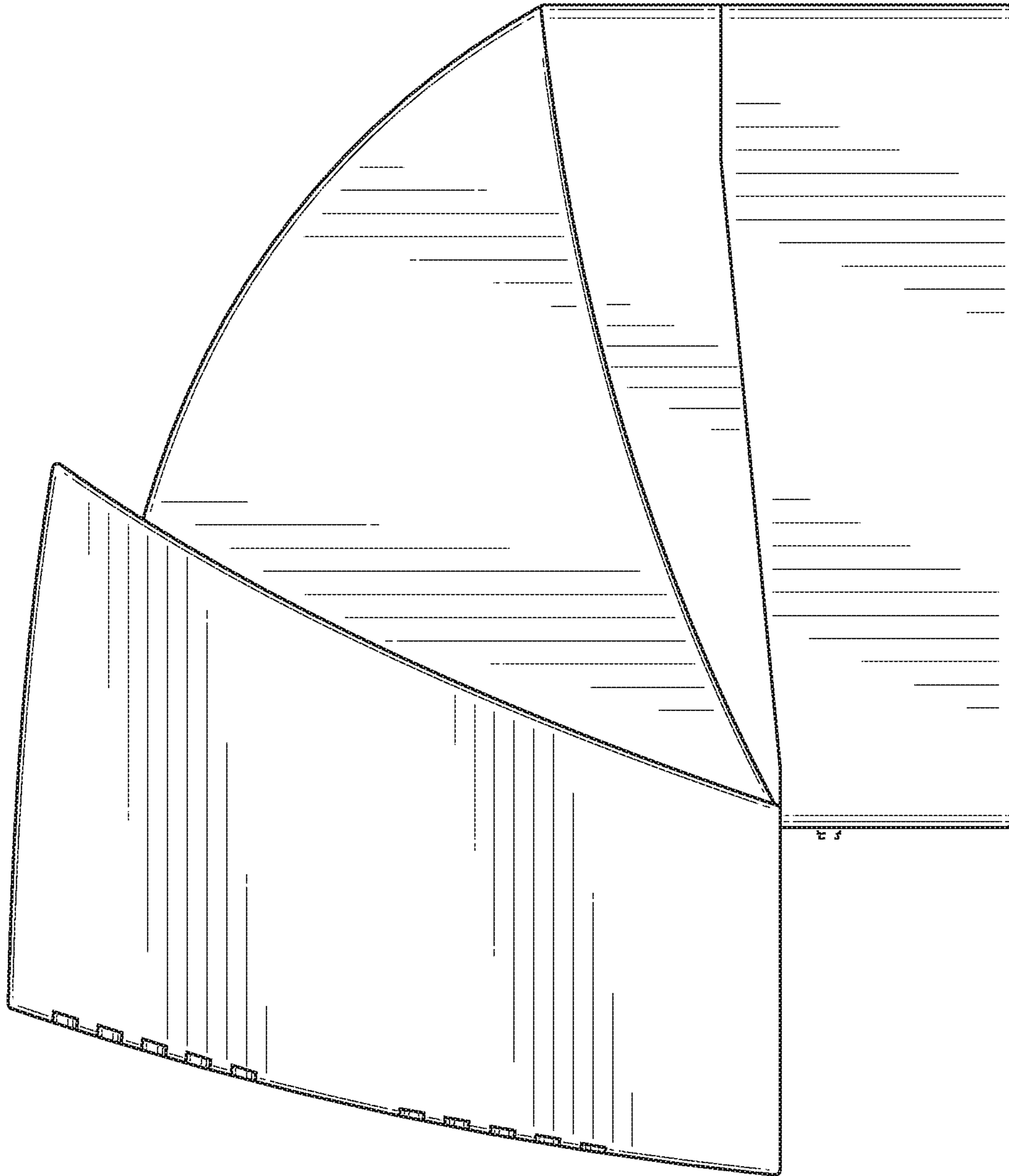


FIG. 5

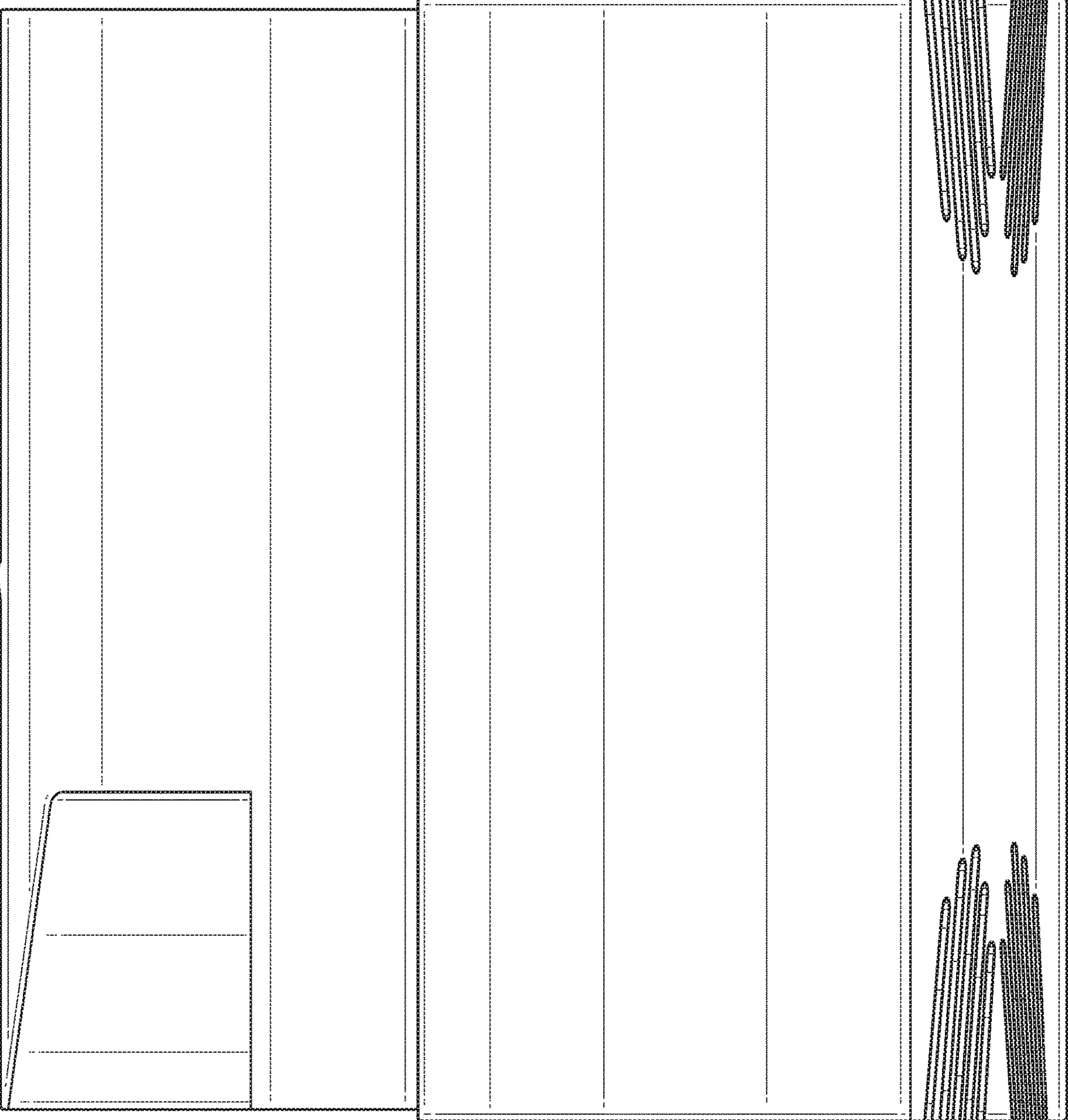


FIG. 6

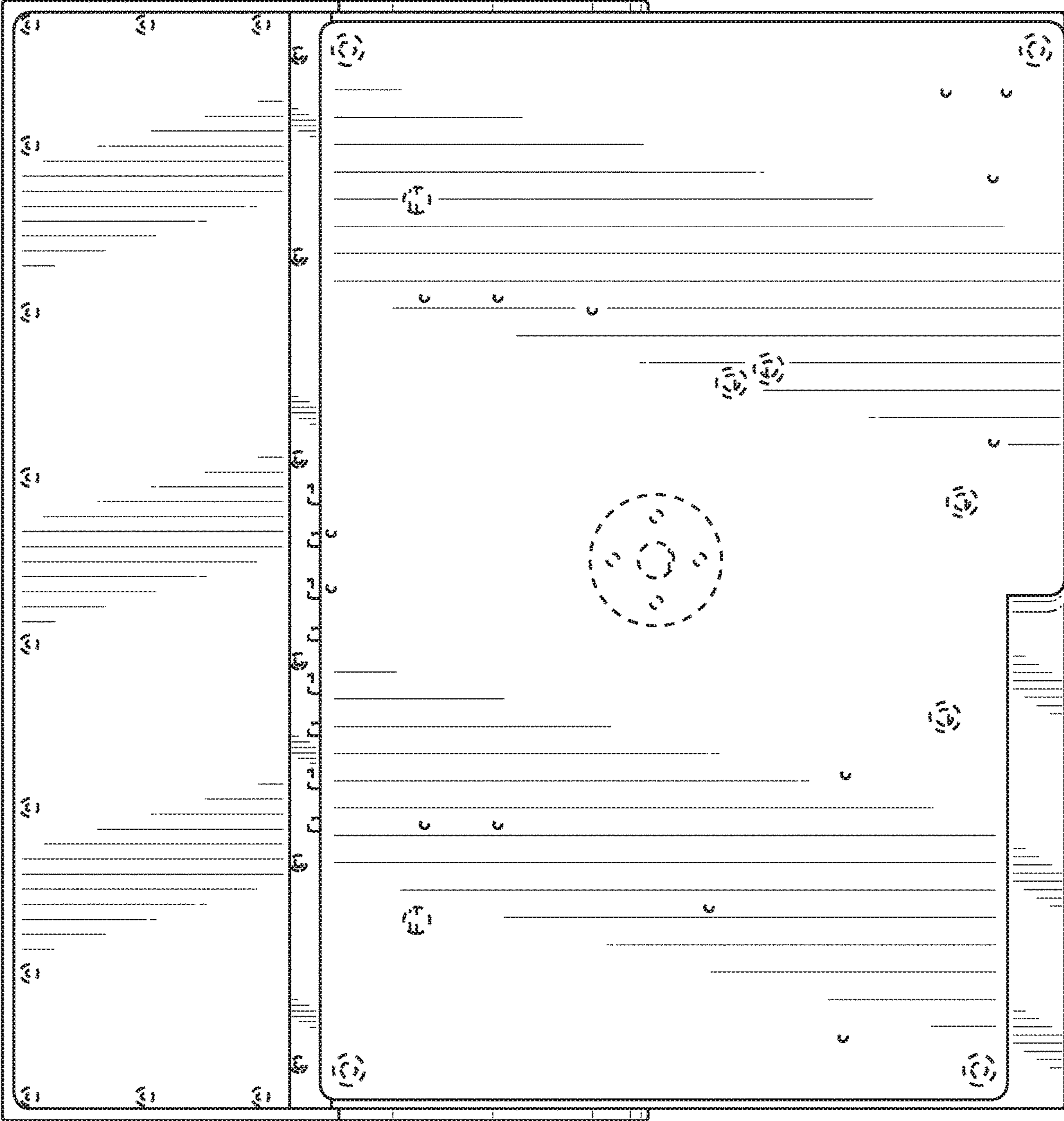


FIG. 7