



US00D876505S

(12) **United States Design Patent** (10) **Patent No.:** **US D876,505 S**  
**Klaczynski et al.** (45) **Date of Patent:** **\*\* Feb. 25, 2020**

(54) **SHAPING MACHINE**

(56) **References Cited**

(71) Applicant: **ZORTRAX S.A.**, Olsztyn (PL)

U.S. PATENT DOCUMENTS

(72) Inventors: **Robert Klaczynski**, Olsztyn (PL);  
**Krzysztof Urban**, Rydzyna (PL);  
**Mateusz Piotrkowski**, Gdansk (PL);  
**Rafal Tomasiak**, Olsztyn (PL);  
**Sylwester Galek**, Ostroda (PL); **Marek Sandomierski**, Szczytno (PL);  
**Karolina Boladz**, Olsztyn (PL)

D420,686 S *	2/2000	Kunema	.....	D15/127
D547,336 S *	7/2007	Kai	.....	D15/122
D553,653 S *	10/2007	Kai	.....	D15/122
D606,568 S *	12/2009	Jackson	.....	D15/131
D619,649 S *	7/2010	Chen	.....	D18/57
D644,672 S *	9/2011	Kajihara	.....	D15/131
D673,592 S *	1/2013	Winiger	.....	D15/132
D709,535 S *	7/2014	Johnsson	.....	D15/122
D744,552 S *	12/2015	Schonherr	.....	D15/122
D745,071 S *	12/2015	Schonherr	.....	D15/122
D745,072 S *	12/2015	Schonherr	.....	D15/122
D758,462 S *	6/2016	Bell	.....	D15/122
D768,215 S *	10/2016	Funakoshi	.....	D15/135
D768,216 S *	10/2016	Funakoshi	.....	D15/135
D768,741 S *	10/2016	Funakoshi	.....	D15/135
D769,339 S *	10/2016	Funakoshi	.....	D15/135
D806,768 S *	1/2018	Terabe	.....	D15/135
D812,113 S *	3/2018	Sakaguchi	.....	D15/135
D812,114 S *	3/2018	Sakaguchi	.....	D15/135
D813,029 S *	3/2018	Borkovetz	.....	D9/432
D813,277 S *	3/2018	Terabe	.....	D15/135
D815,161 S *	4/2018	Sakaguchi	.....	D15/135
D815,162 S *	4/2018	Sakaguchi	.....	D15/135
D815,670 S *	4/2018	Terabe	.....	D15/135

(\*\*) Term: **15 Years**

(21) Appl. No.: **35/506,289**

(22) Filed: **Jul. 5, 2018**

(80) **Hague Agreement Data**

Int. Filing Date: **Jul. 5, 2018**  
Int. Reg. No.: **DM/103012**  
Int. Reg. Date: **Jul. 5, 2018**  
Int. Reg. Pub. Date: **Jan. 11, 2019**

(51) **LOC (12) Cl.** ..... **15-07**

(52) **U.S. Cl.**  
USPC ..... **D15/138**  
CPC ..... **B29C 43/24** (2013.01)

(58) **Field of Classification Search**  
USPC ..... D15/122, 135-138, 141, 142, 199;  
D9/720-722, 733, 734, 737, 761  
CPC ..... B29C 45/0001; B29C 2043/3427; B29C  
2043/3494; B29C 2045/0006; B29C  
2045/0043; B29C 2045/0049; B29C  
2045/14803; B29C 2945/76444; B29C  
43/24; B29C 45/0005; B29C 45/0025;  
B29C 45/006; B29C 45/14311; B29C  
45/14778; B29C 45/14811; B29C  
45/14819; B29C 45/1657; B29C 45/1671;  
B29C 45/1761; B29C 45/2708; B29C  
45/40; B29C 45/401; B29C 45/42; B29C  
45/84; B29C 47/0004; B29C 47/0021

See application file for complete search history.

(Continued)

*Primary Examiner* — Richard E Chilcot

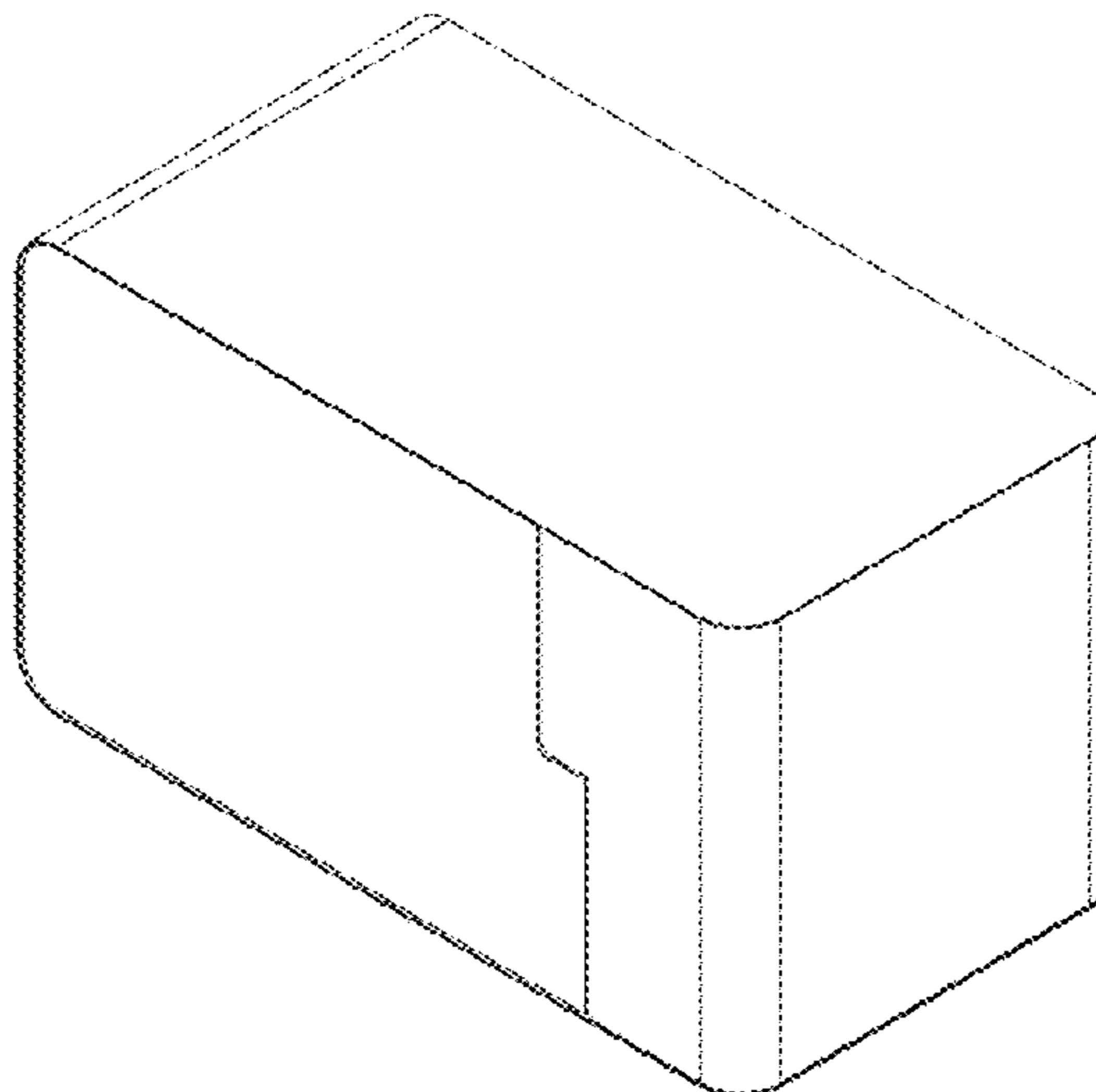
(57) **CLAIM**

The ornamental design for a shaping machine, as shown and described.

**DESCRIPTION**

- 1. Shaping machine
- 1.1 : Perspective
- 1.2 : Back
- 1.3 : Bottom
- 1.4 : Front
- 1.5 : Left
- 1.6 : Right
- 1.7 : Top

**1 Claim, 7 Drawing Sheets**



(56)

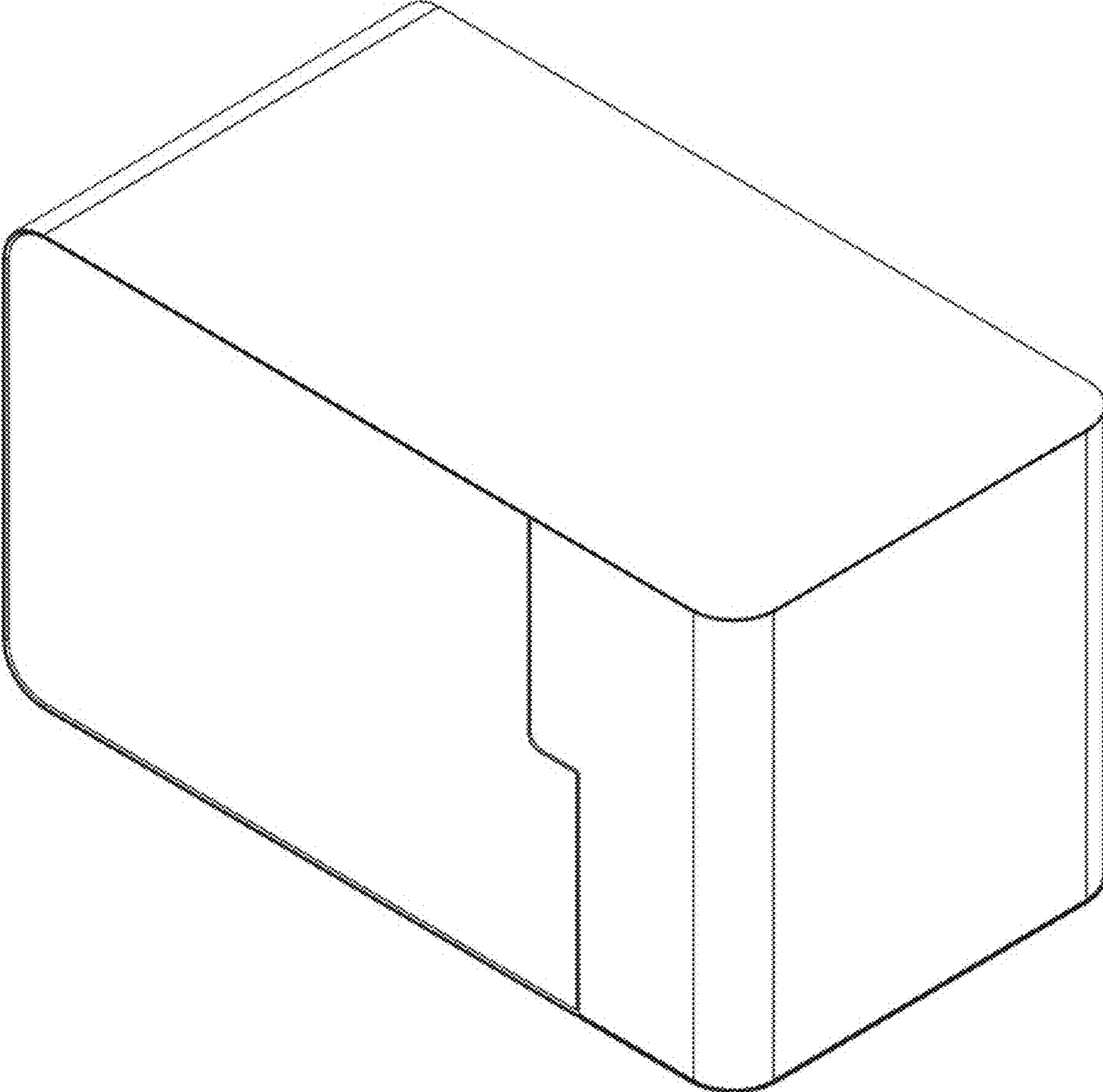
**References Cited**

U.S. PATENT DOCUMENTS

D815,671	S *	4/2018	Terabe .....	D15/135
D818,195	S *	5/2018	Burger .....	D27/186
D819,095	S *	5/2018	Sakaguchi .....	D15/135
D819,096	S *	5/2018	Terabe .....	D15/135
D820,892	S *	6/2018	Sakaguchi .....	D15/136
D822,075	S *	7/2018	Terabe .....	D15/136
D824,435	S *	7/2018	Terabe .....	D15/138
D846,385	S *	4/2019	Borkovetz .....	D9/434
D863,955	S *	10/2019	Riffe .....	D9/434
2007/0000122	A1 *	1/2007	Caya .....	B21F 3/00
				29/735
2007/0088523	A1 *	4/2007	Keller .....	B28B 17/0081
				702/127
2011/0016942	A1 *	1/2011	Etienne .....	B21F 3/02
				72/199
2014/0360618	A1 *	12/2014	Shan .....	D04C 3/02
				139/11
2018/0226865	A1 *	8/2018	Bihari .....	H02K 15/045

\* cited by examiner

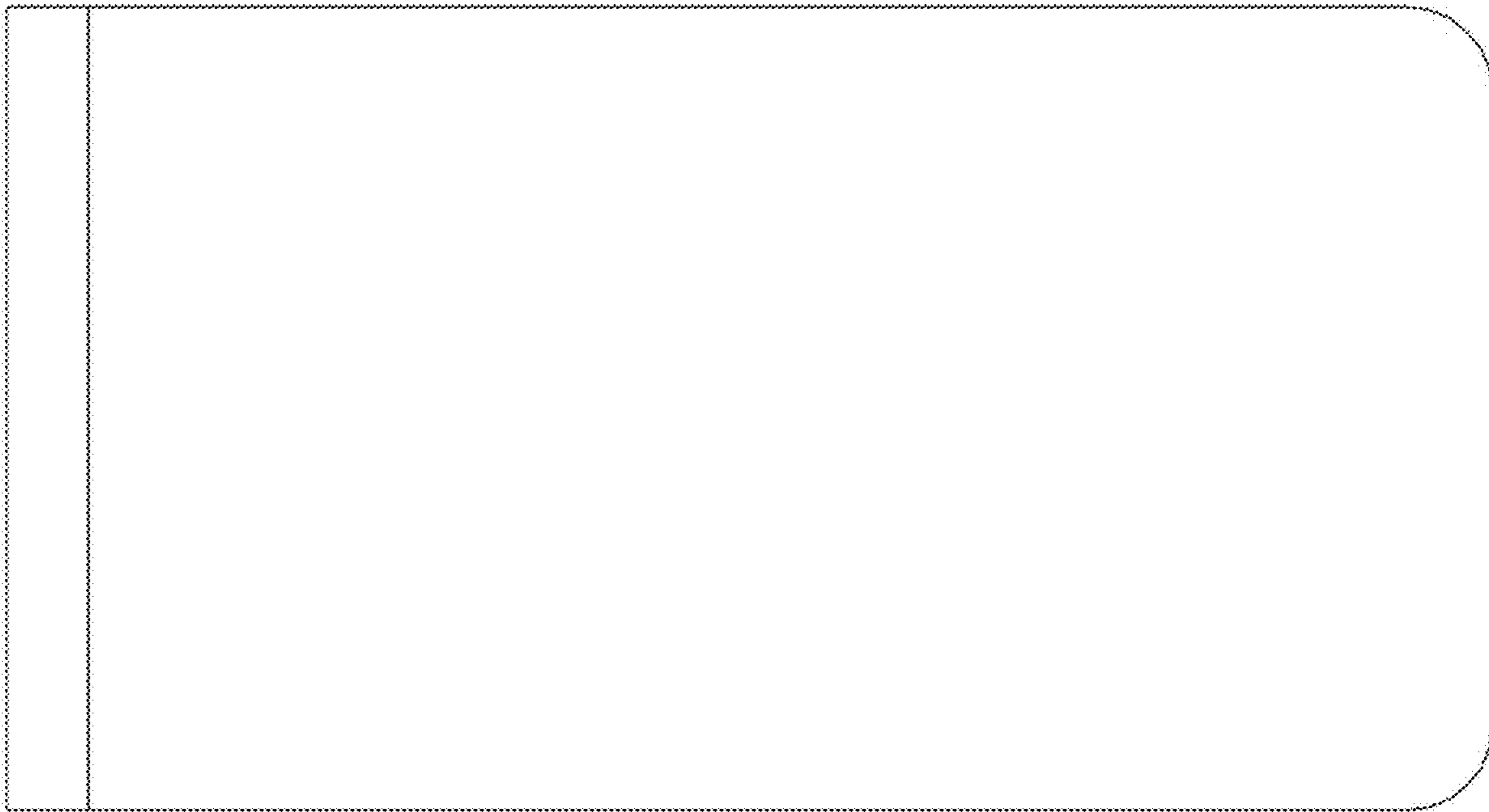
1.1



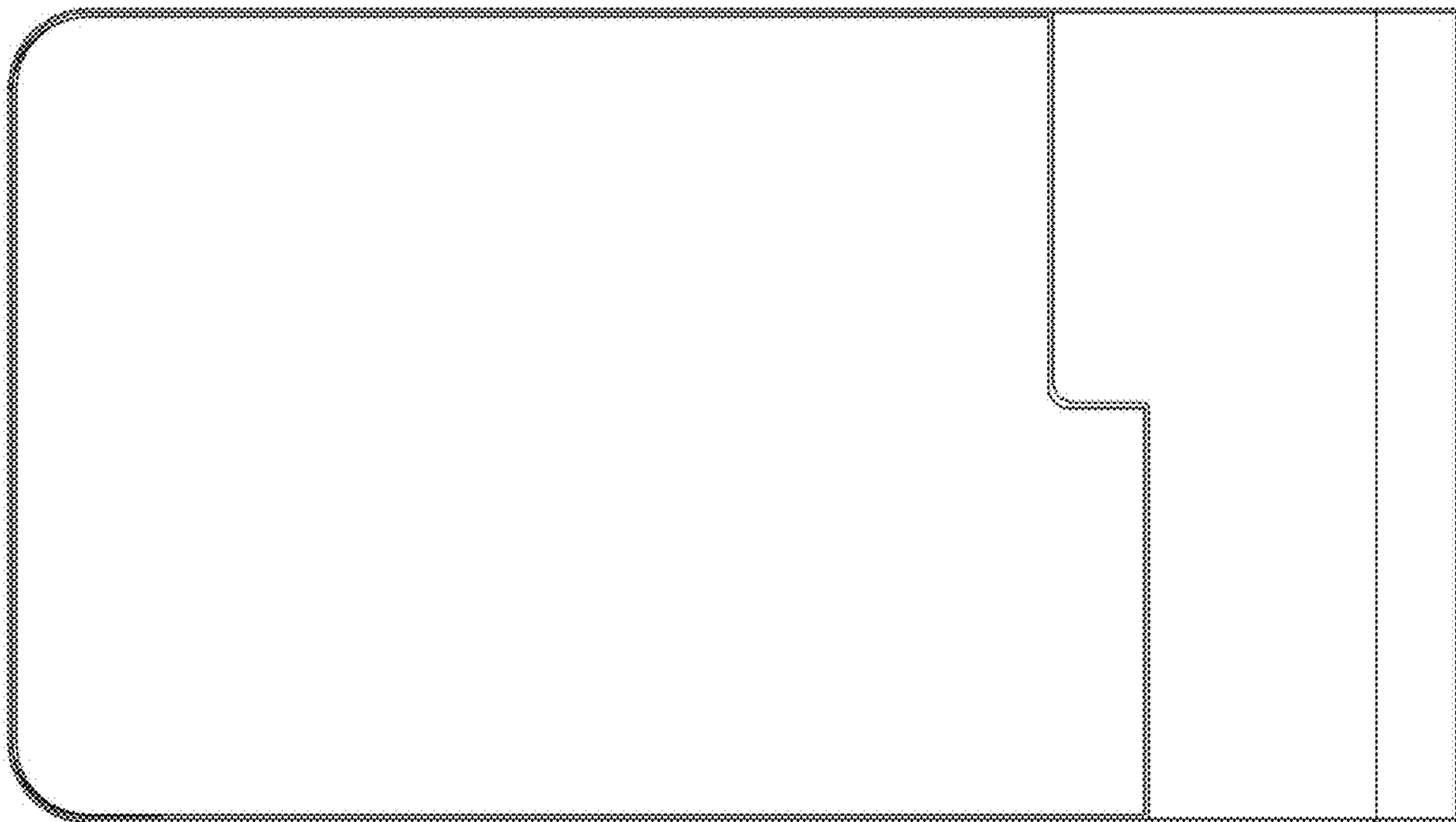
1.2



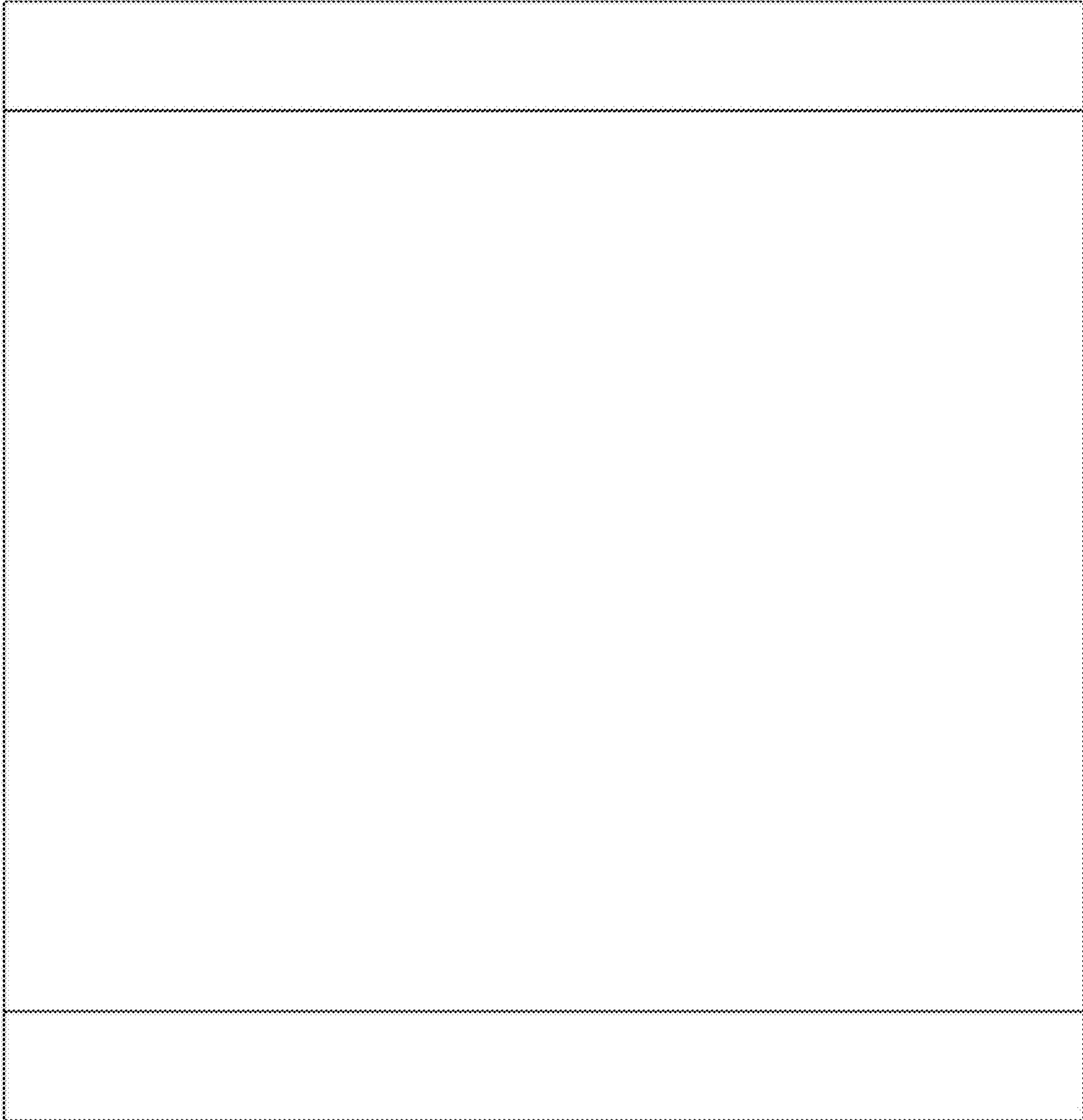
1.3



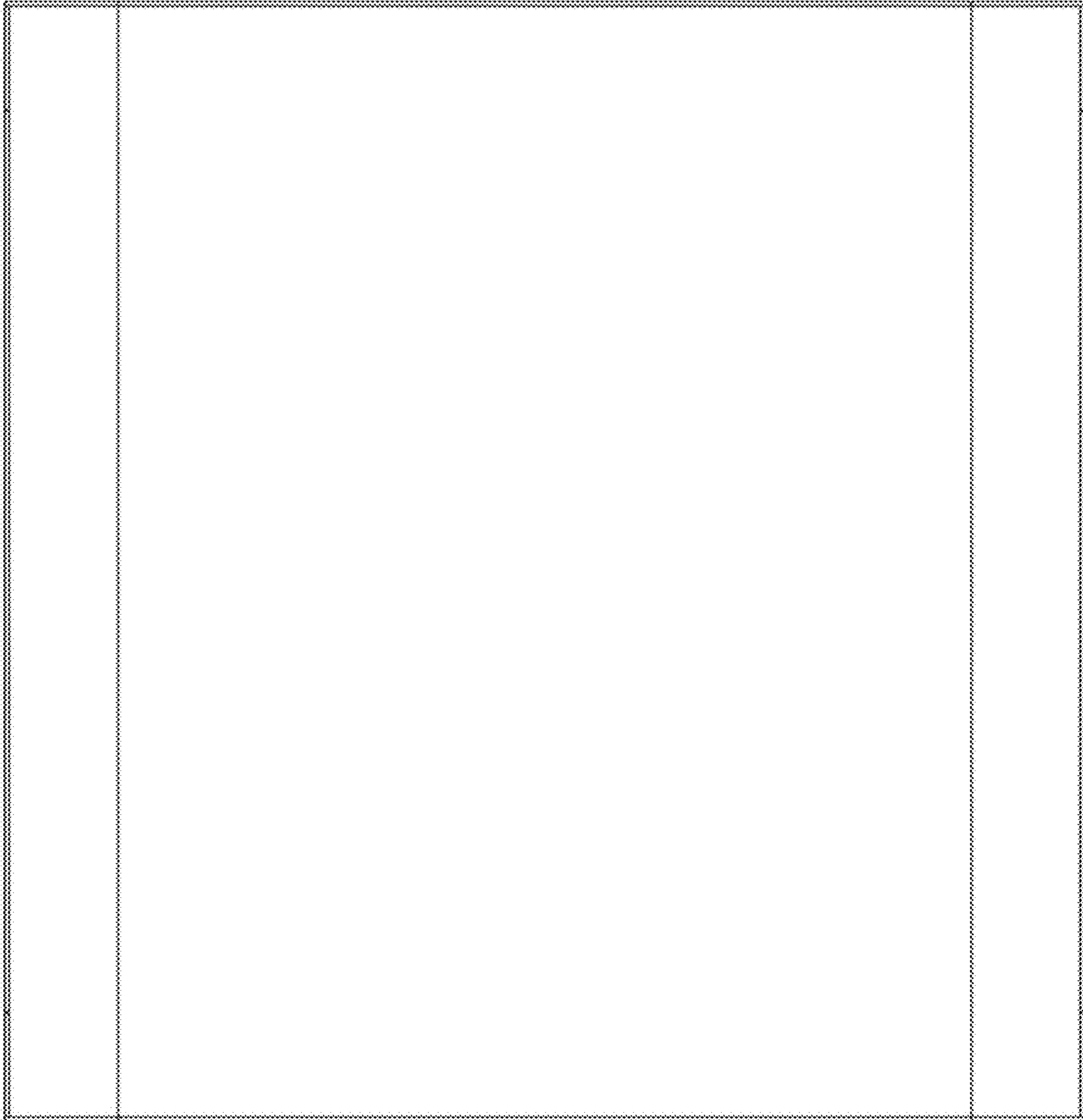
1.4



1.5



1.6





1.7

