



US00D876503S

(12) **United States Design Patent**  
**Scholey et al.**

(10) **Patent No.:** **US D876,503 S**

(45) **Date of Patent:** **\*\* Feb. 25, 2020**

(54) **BODYMAKER FORWARD ASSEMBLY**

D472,566 S \* 4/2003 Okada ..... D15/135  
D546,847 S \* 7/2007 Teng ..... D15/135  
D546,848 S \* 7/2007 Teng ..... D15/135  
8,789,403 B2 7/2014 Egerton et al.  
D809,028 S \* 1/2018 Imahase ..... D15/135

(71) Applicant: **Stolle Machinery Company, LLC**,  
Centennial, CO (US)

(72) Inventors: **Ian Kenneth Scholey**, Barnsley (GB);  
**Karl S. Fleischer**, Denver, CO (US);  
**Alan W. Cleveland**, Firestone, CO  
(US)

\* cited by examiner

*Primary Examiner* — Khawaja Anwar

(74) *Attorney, Agent, or Firm* — Eckert Seamans Cherin  
& Mellott, LLC

(73) Assignee: **Stolle Machinery Company, LLC**,  
Centennial, CO (US)

(\*\*) Term: **15 Years**

(21) Appl. No.: **29/657,314**

(22) Filed: **Jul. 20, 2018**

**Related U.S. Application Data**

(63) Continuation of application No. 29/601,641, filed on  
Apr. 25, 2017, now Pat. No. Des. 824,434.

(51) **LOC (12) Cl.** ..... **15-03**

(52) **U.S. Cl.**  
USPC ..... **D15/135**

(58) **Field of Classification Search**  
USPC .... D15/135, 136, 138, 141, 145; D8/71, 72,  
D8/73, 74; D34/28, 29  
CPC ... B22C 9/03; B29C 45/0013; B29C 47/0014;  
B29C 47/54; B29C 47/82; B29C 47/822;  
B29C 47/8805; B29C 55/005; B65G  
2207/30; B65G 54/02  
See application file for complete search history.

(56) **References Cited**

**U.S. PATENT DOCUMENTS**

D152,435 S \* 1/1949 Reimers ..... D15/135  
D341,602 S \* 11/1993 Faig ..... D15/135

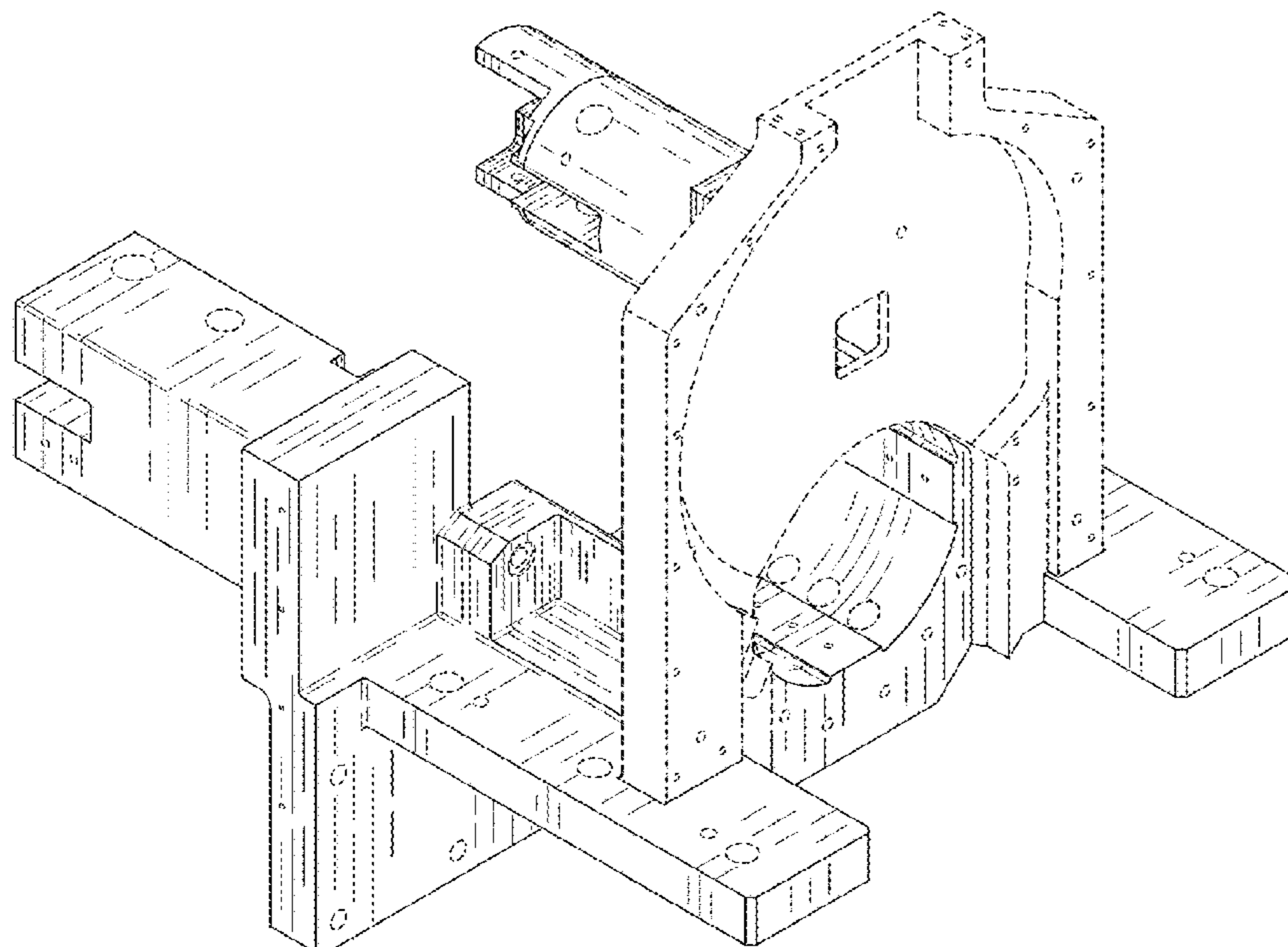
(57) **CLAIM**

The ornamental design for a bodymaker forward assembly,  
as shown and described.

**DESCRIPTION**

FIG. 1 is an isometric view of a bodymaker forward assembly;  
FIG. 2 is another isometric view of the bodymaker forward  
assembly;  
FIG. 3 is another isometric view of the bodymaker forward  
assembly;  
FIG. 4 is another isometric view of the bodymaker forward  
assembly;  
FIG. 5 is a front view of the bodymaker forward assembly;  
FIG. 6 is a right view of the bodymaker forward assembly;  
FIG. 7 is a back view of the bodymaker forward assembly;  
FIG. 8 is a left view of the bodymaker forward assembly;  
FIG. 9 is a top view of the bodymaker forward assembly;  
and,  
FIG. 10 is a bottom view of the bodymaker forward assembly.  
The broken lines in the drawings depict environmental  
subject matter only and form no part of the claimed design.

**1 Claim, 10 Drawing Sheets**



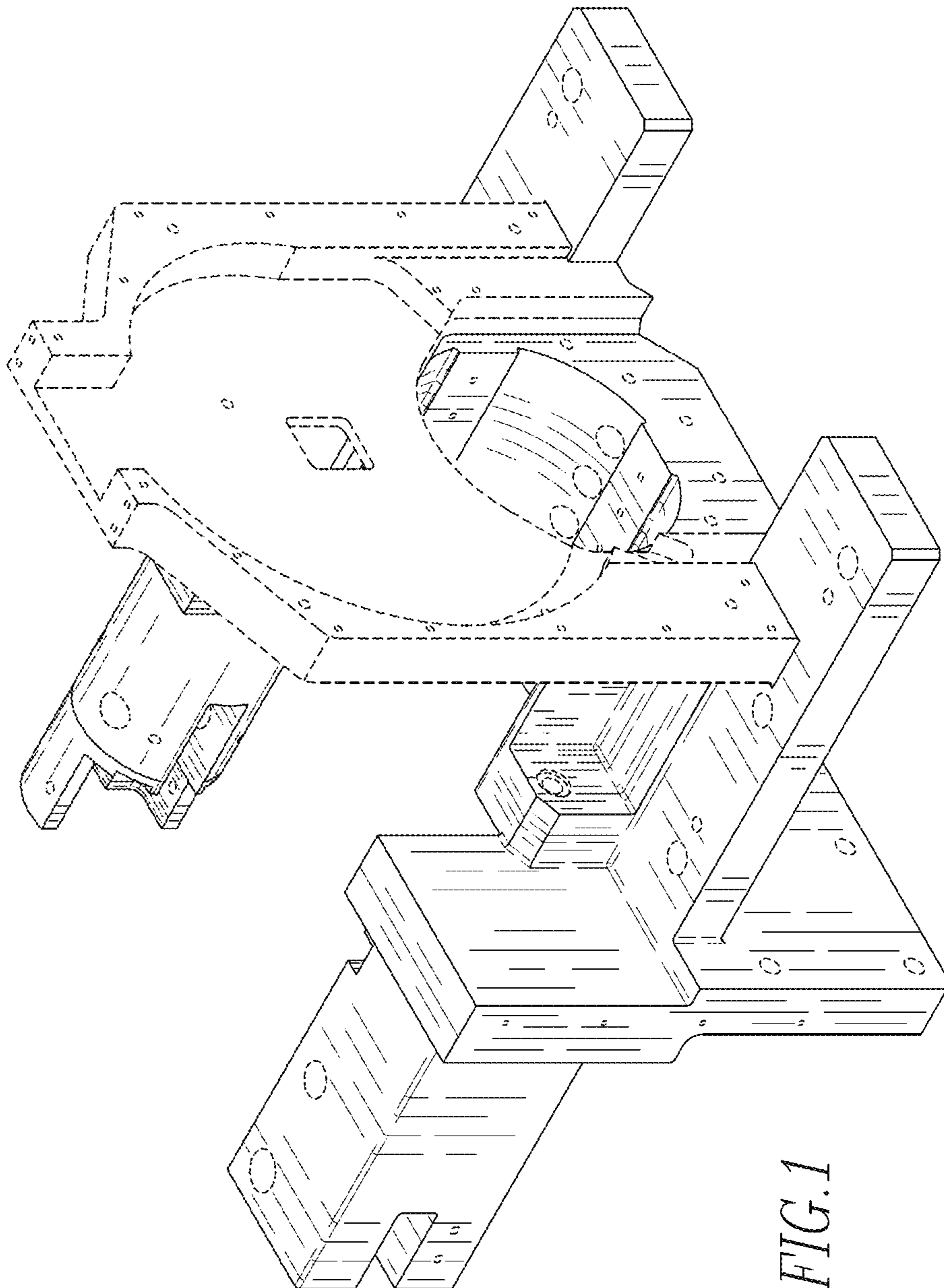


FIG. 1

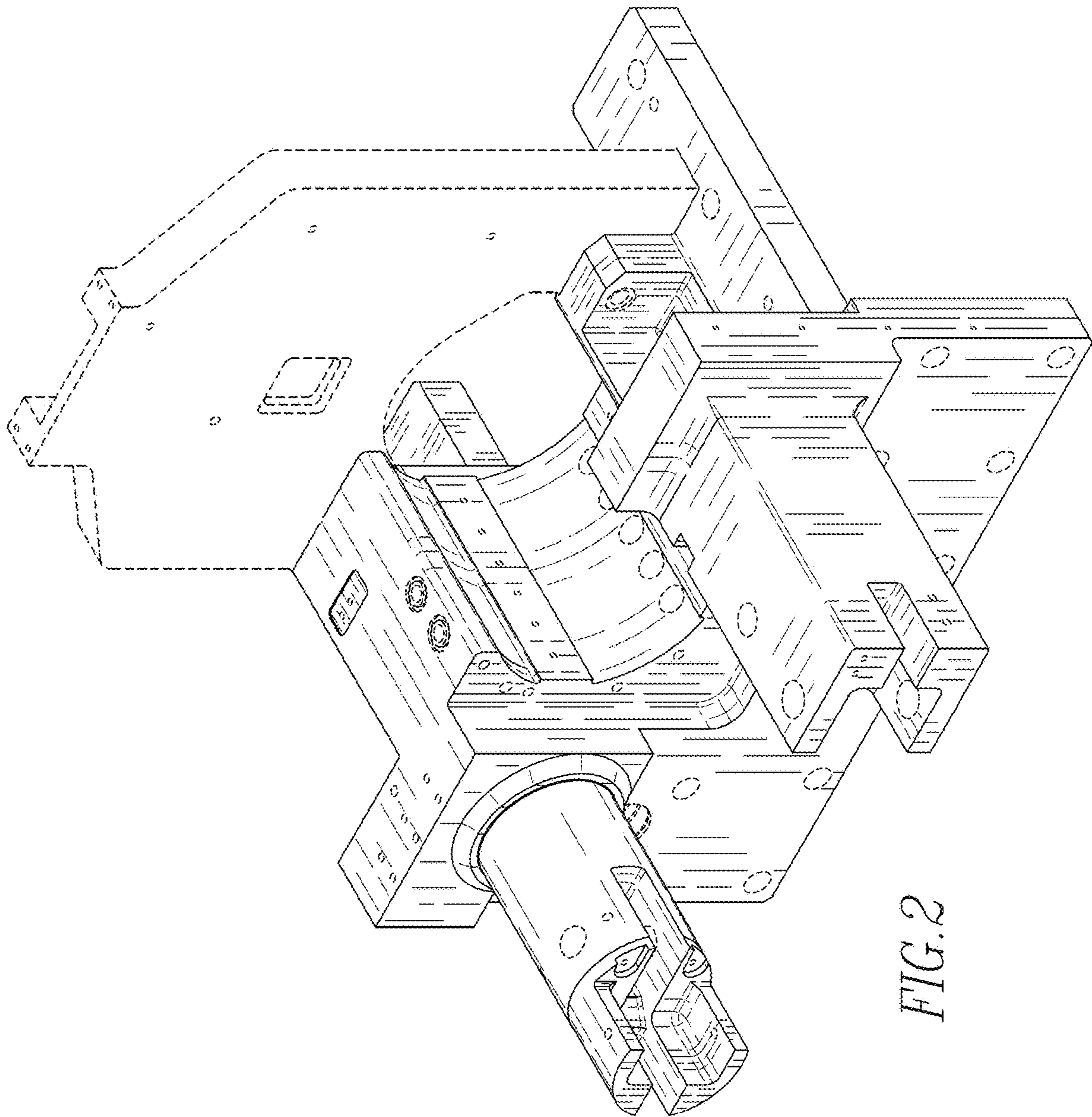


FIG. 2

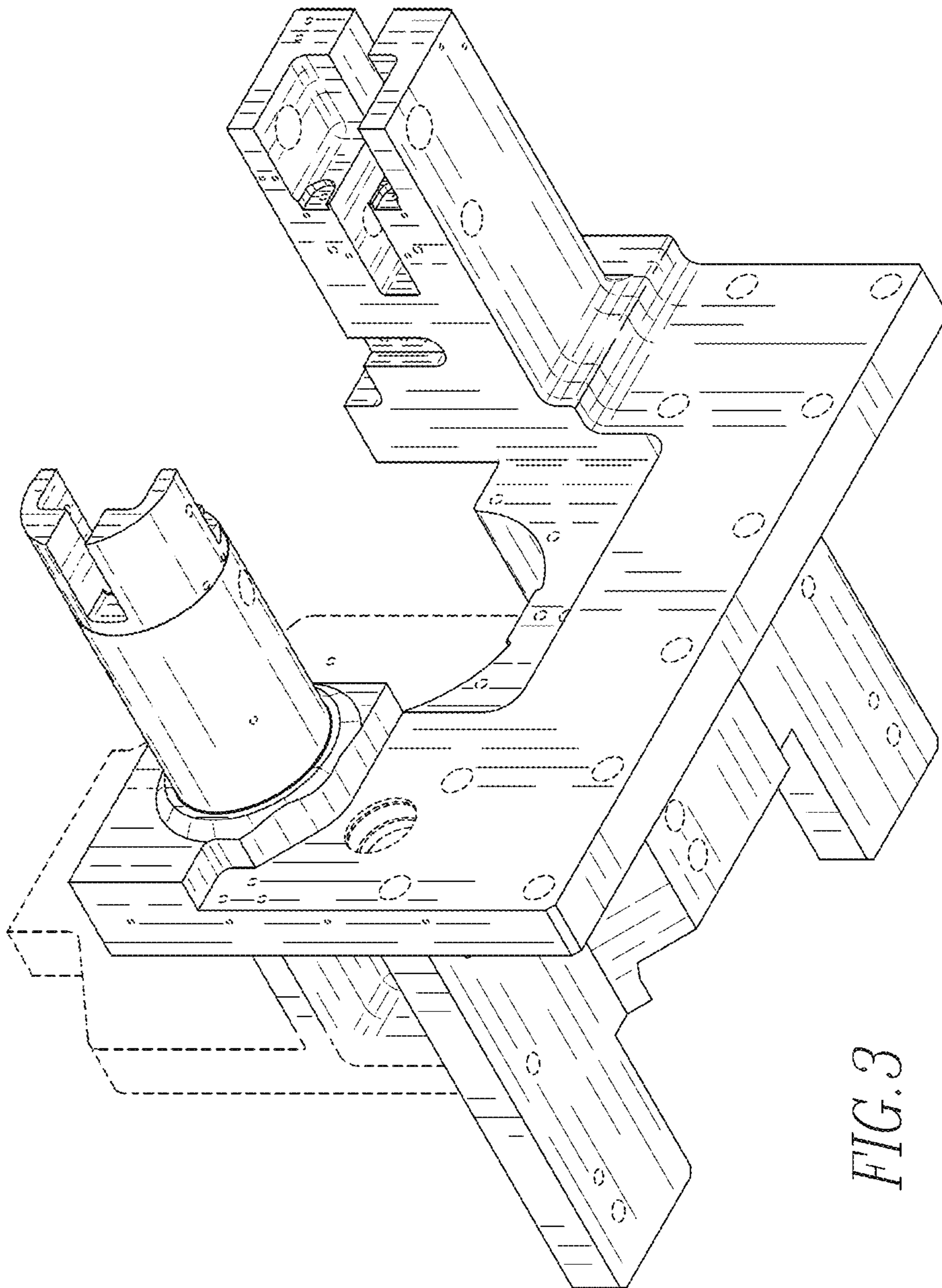


FIG. 3

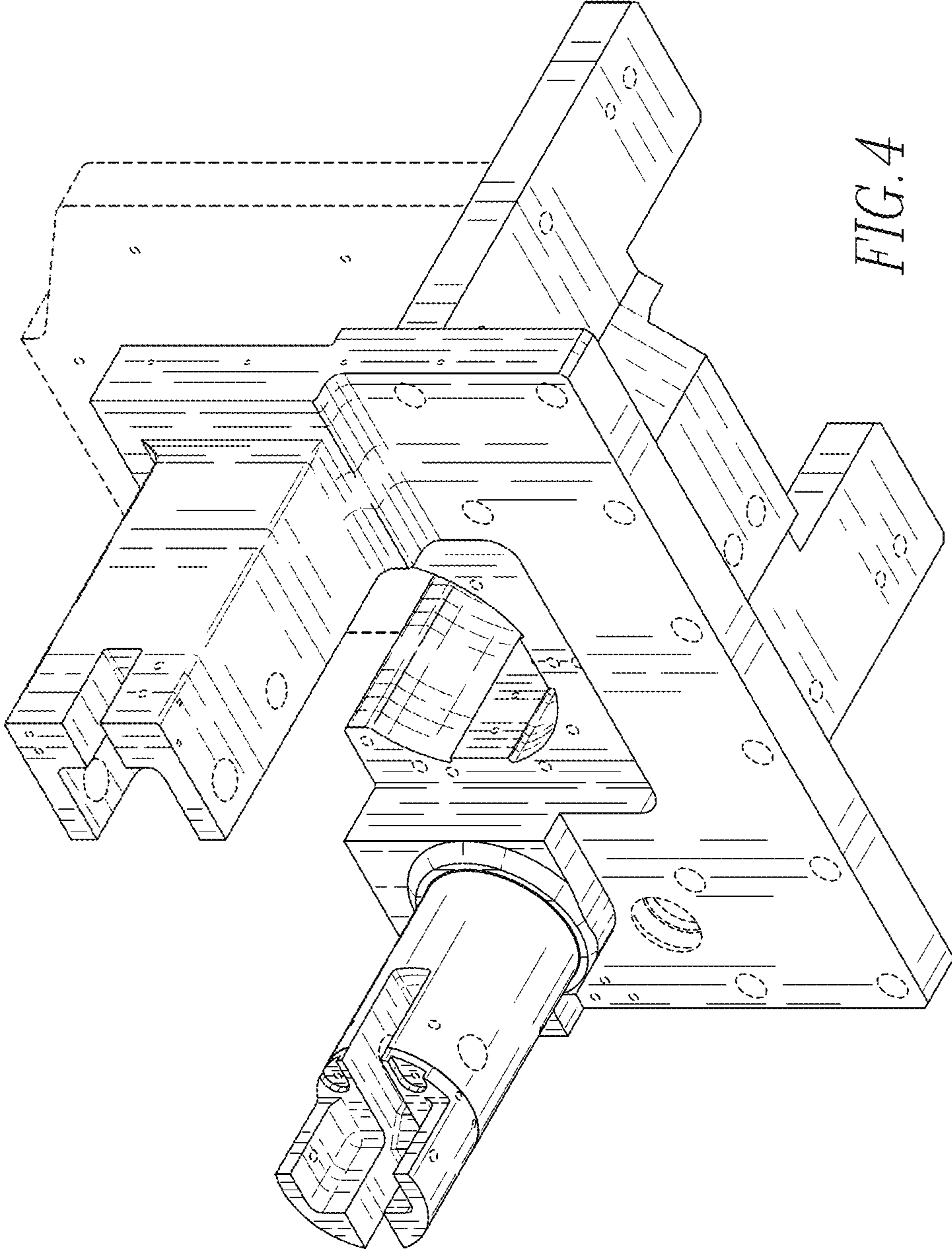


FIG. 4

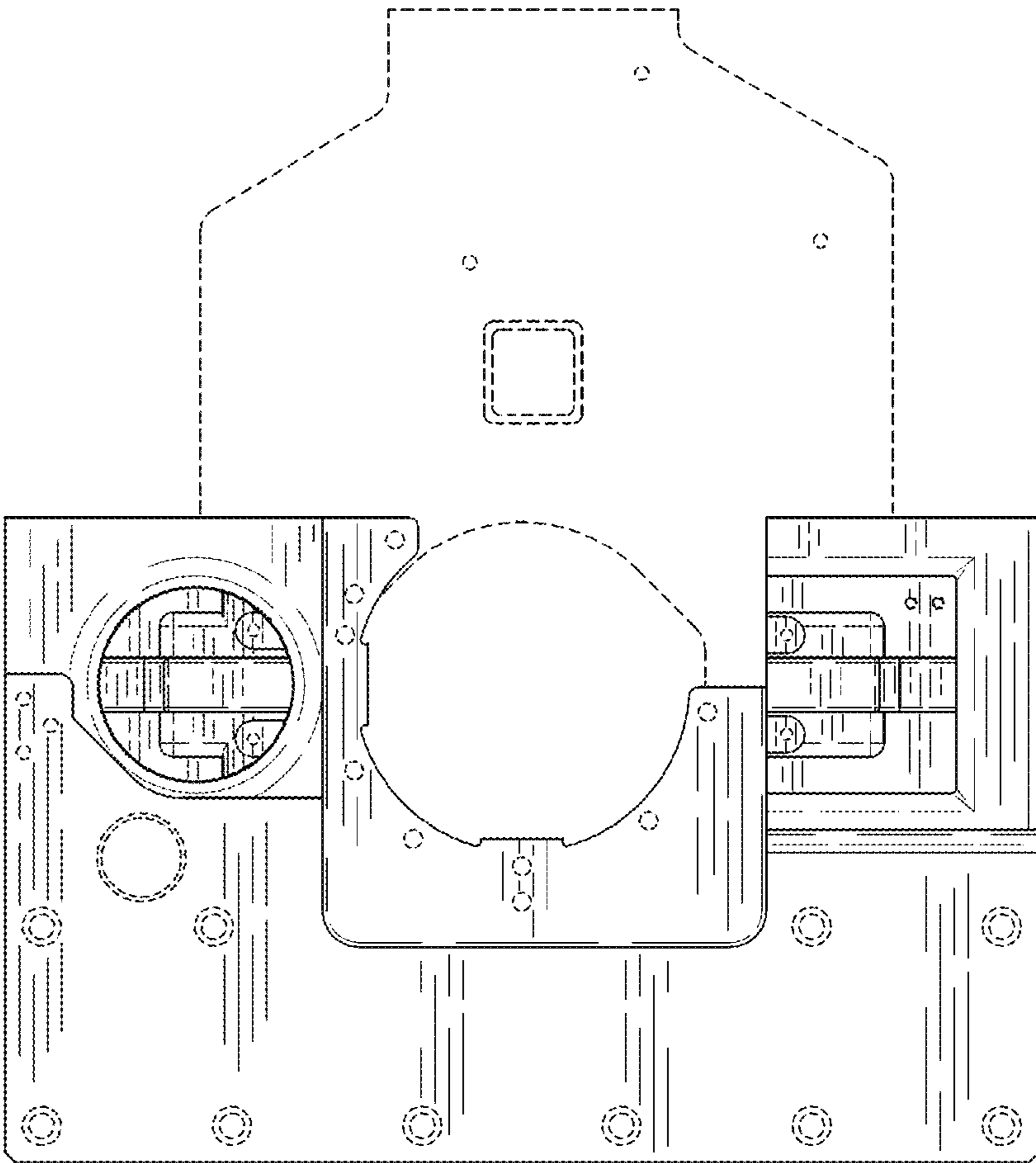


FIG. 5

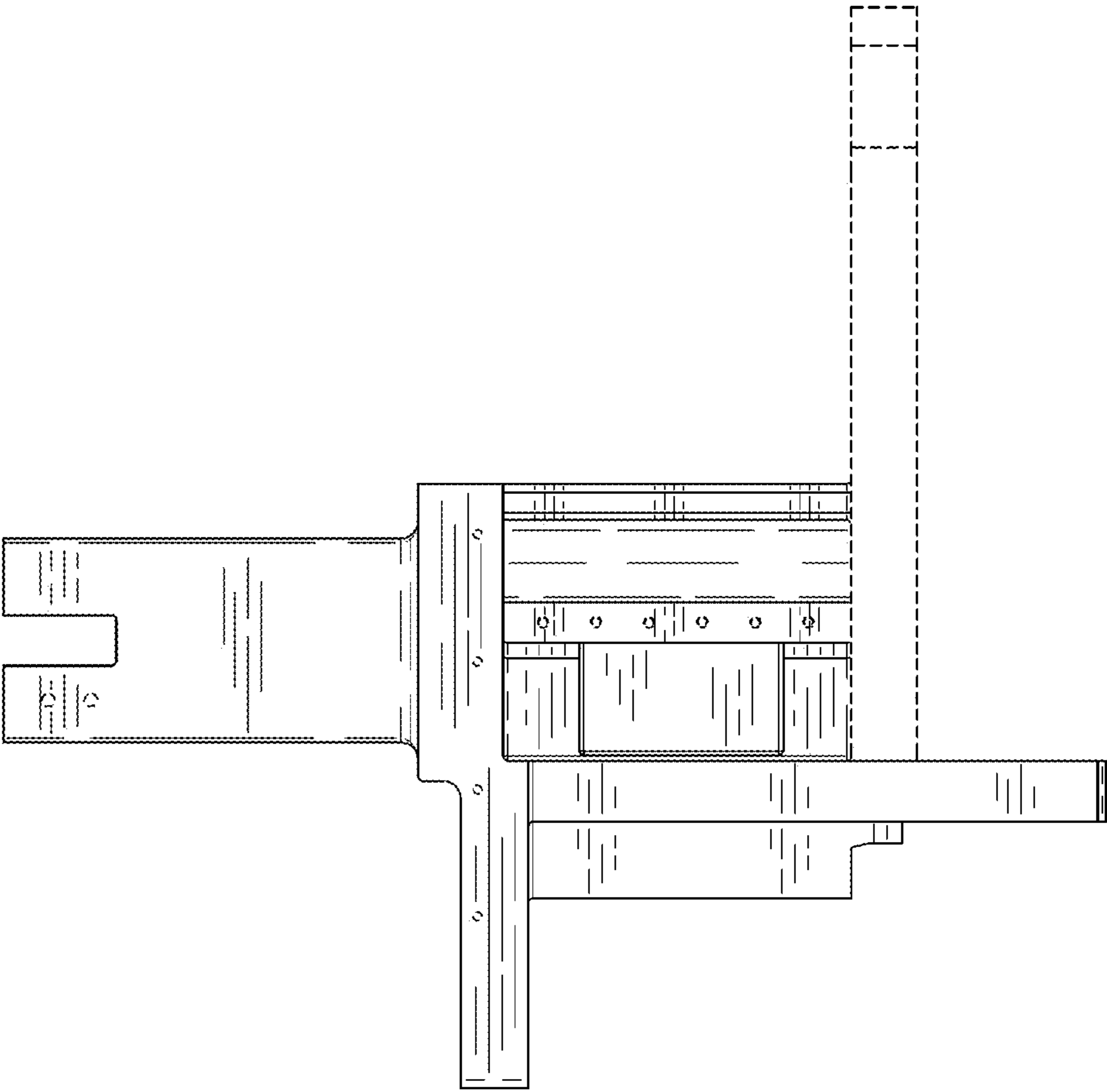


FIG. 6

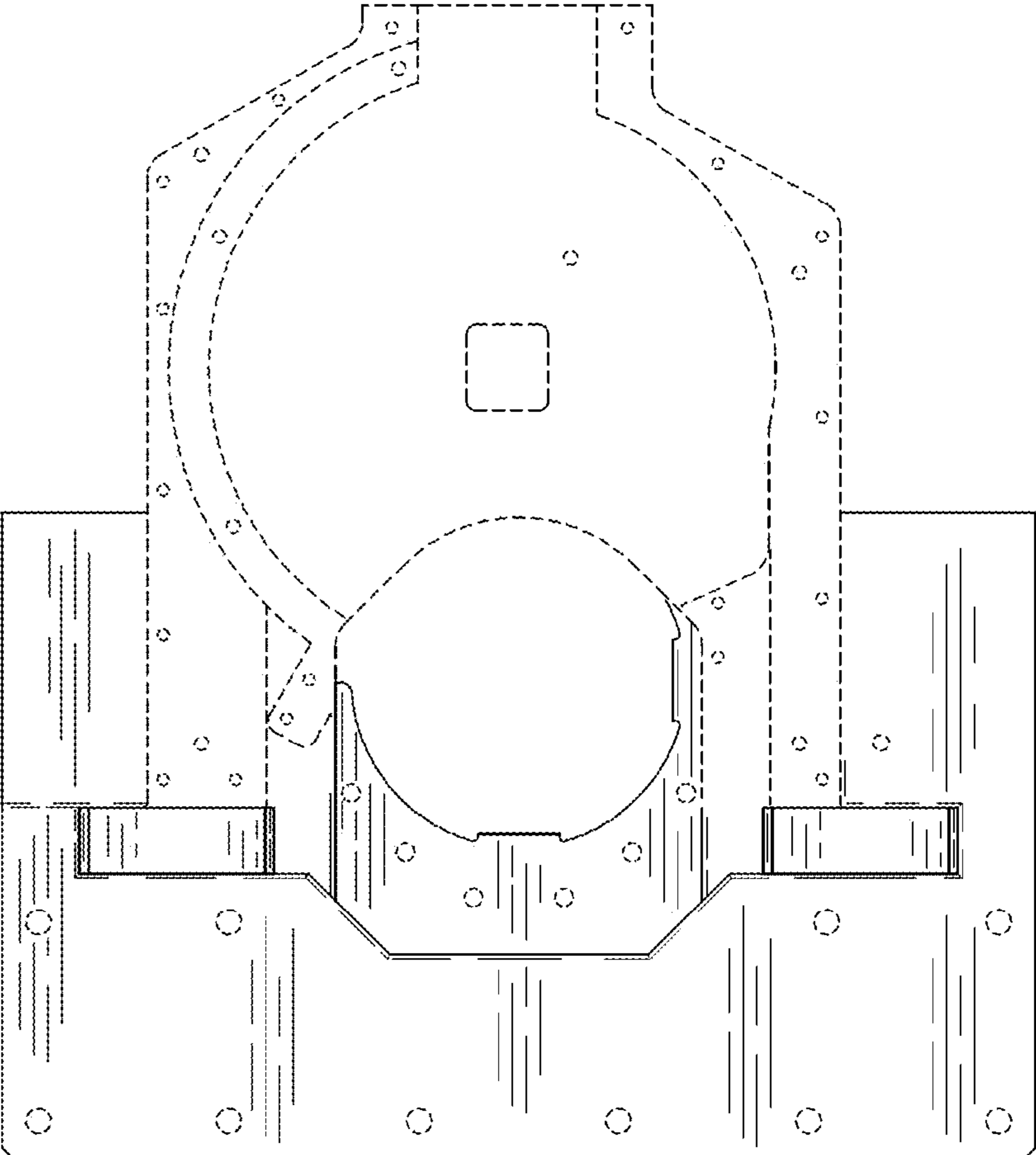


FIG. 7



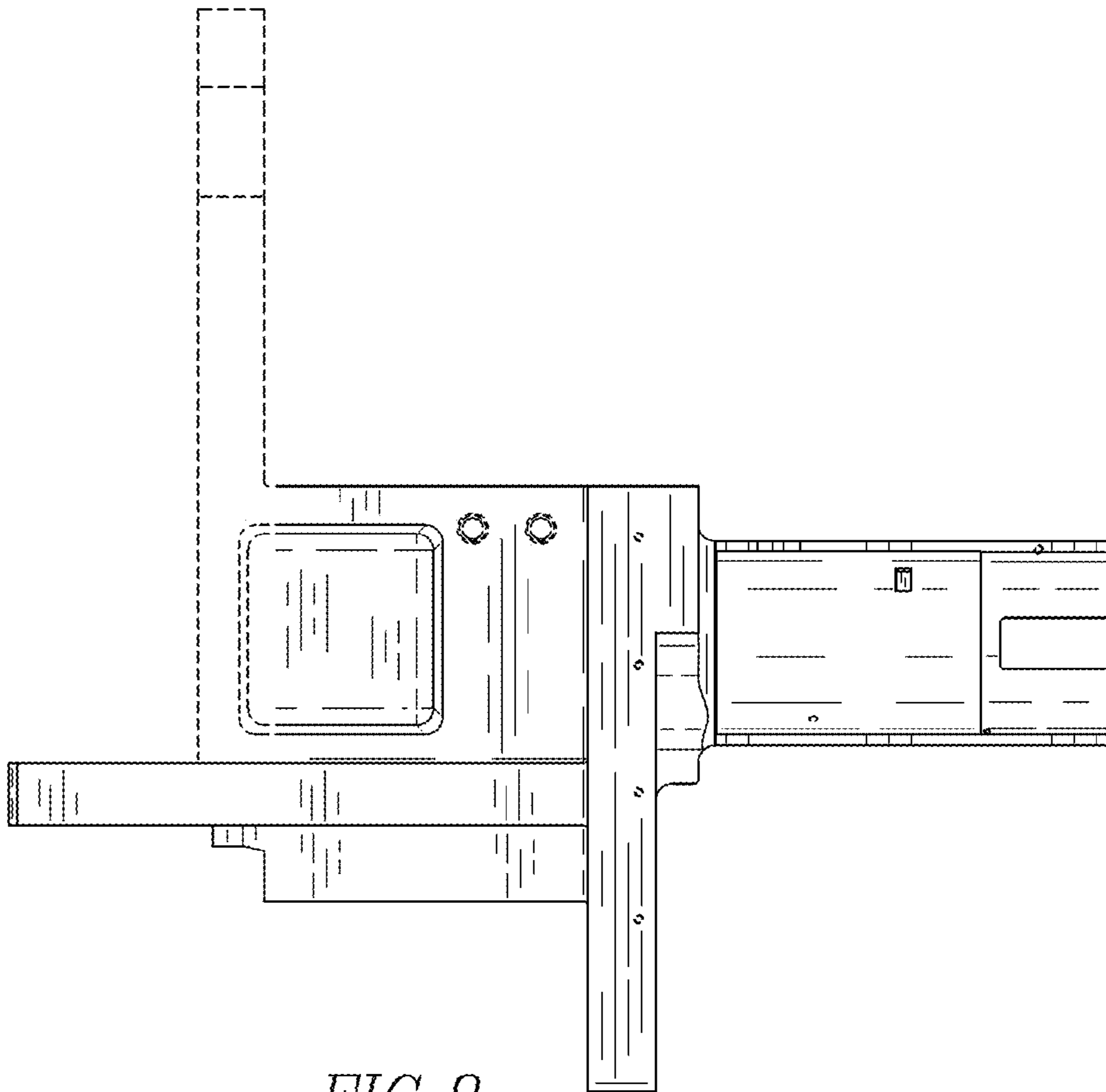


FIG. 8

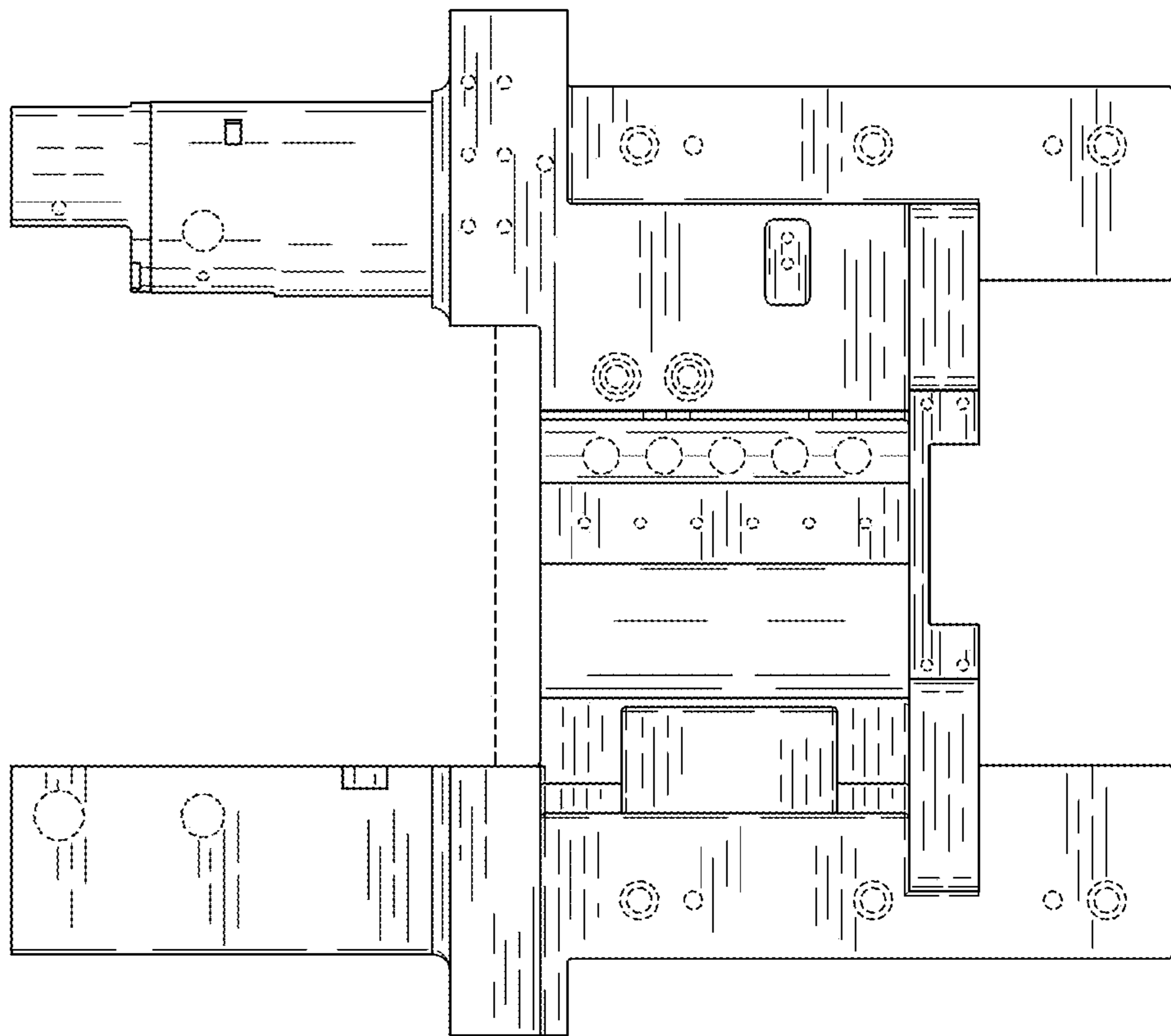


FIG. 9

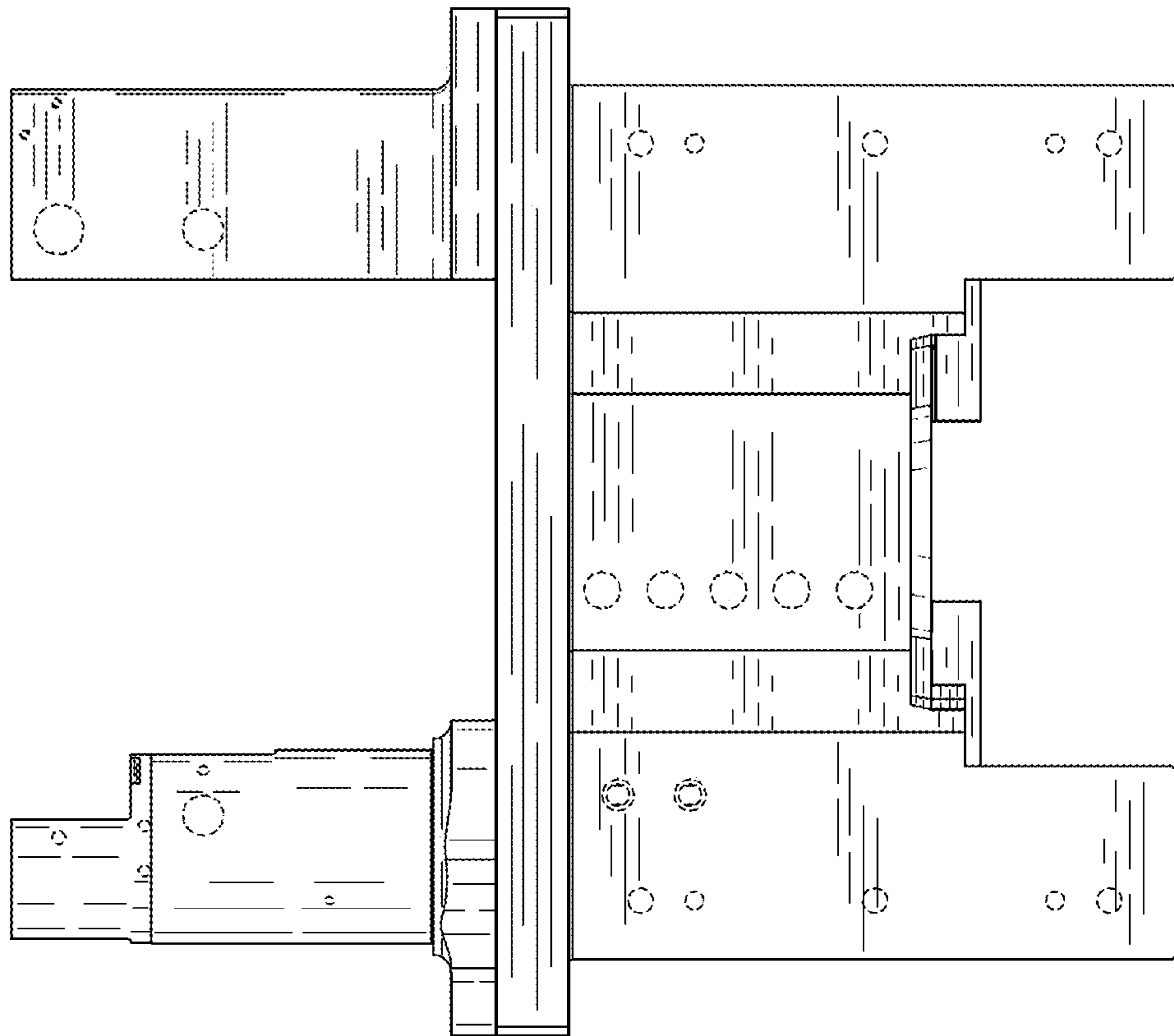


FIG. 10