



US00D876502S

(12) **United States Design Patent**
Ali et al.

(10) **Patent No.:** **US D876,502 S**
(45) **Date of Patent:** **** Feb. 25, 2020**

- (54) **HEX DRIVER FOAM SANDER**
- (71) Applicants: **Terry Ali**, Xenia, OH (US);
Christopher Ali, Spring Valley, OH (US); **Frank Ali**, Xenia, OH (US)
- (72) Inventors: **Terry Ali**, Xenia, OH (US);
Christopher Ali, Spring Valley, OH (US); **Frank Ali**, Xenia, OH (US)
- (**) Term: **15 Years**
- (21) Appl. No.: **29/702,039**
- (22) Filed: **Aug. 16, 2019**
- (51) **LOC (12) Cl.** **15-09**
- (52) **U.S. Cl.**
USPC **D15/126**
- (58) **Field of Classification Search**
USPC D8/20, 70, 71; D15/126, 138, 139
CPC B24B 21/18; B24B 23/06
See application file for complete search history.

(56) **References Cited**

U.S. PATENT DOCUMENTS

- 2,371,021 A * 3/1945 Berry B24D 9/08
451/490
- 2,550,768 A * 5/1951 Burleigh B24D 9/08
451/294
- 3,305,888 A * 2/1967 Soderberg A61C 3/06
15/179
- 3,345,785 A * 10/1967 Riker B24D 9/085
451/494
- 3,395,417 A * 8/1968 Matouka B24D 9/08
15/230
- 3,667,169 A * 6/1972 MacKay, Jr. B24D 5/16
451/511
- 3,707,059 A * 12/1972 Burtch B24D 9/08
451/490
- 4,138,804 A * 2/1979 Thielen A24B 5/16
451/342

- 4,607,464 A * 8/1986 Schwartz B24D 9/085
451/494
- D285,694 S * 9/1986 Olovsson D15/126
- D285,930 S * 9/1986 Olovsson D15/126
- 4,844,967 A * 7/1989 Goralski B24D 9/08
428/137
- 4,932,163 A * 6/1990 Chilton B24B 55/102
451/359
- D324,525 S * 3/1992 Baker D15/126
- 5,105,585 A * 4/1992 Hampl B24B 55/102
451/359
- 5,545,080 A * 8/1996 Clowers B24B 7/184
451/354
- D379,578 S * 6/1997 Daniels D8/70
- 5,692,949 A * 12/1997 Sheffield A44B 18/0011
451/538
- 5,993,305 A * 11/1999 Chu B24B 23/03
451/357
- 6,059,644 A * 5/2000 Manor B24B 55/102
451/353

(Continued)

Primary Examiner — Patricia A Palasik
(74) *Attorney, Agent, or Firm* — R. William Graham

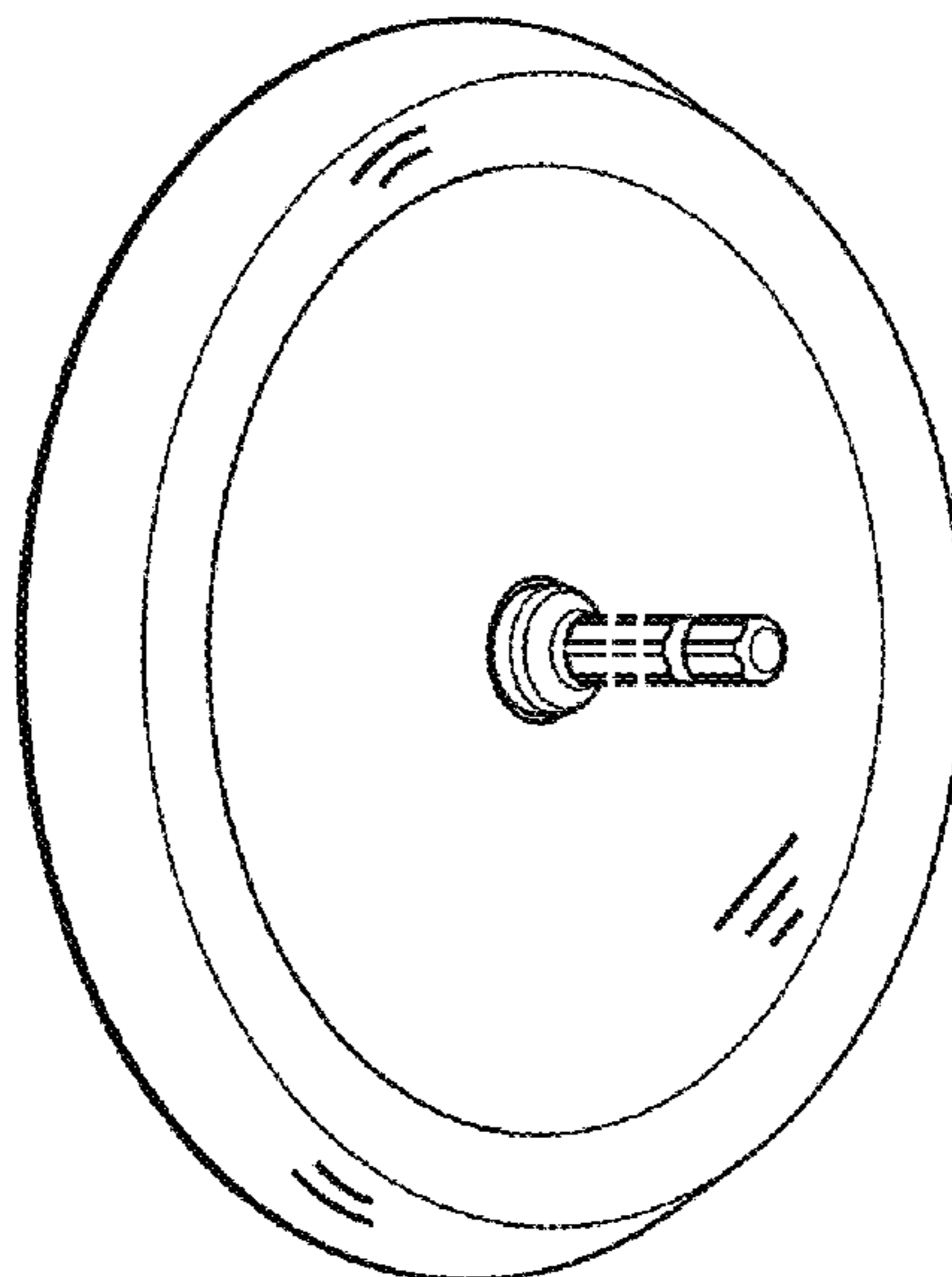
(57) **CLAIM**

The ornamental design for a hex driver foam sander, as shown and described.

DESCRIPTION

FIG. 1 is a perspective view of a hex driver foam sander showing our new design;
FIG. 2 is a front view of a hex driver foam sander showing our new design;
FIG. 3 is a side view of a hex driver foam sander showing our new design; and,
FIG. 4 is a back side elevation view of a hex driver foam sander showing our new design.
The broken lines in the drawings depict portions of the hex driver foam sander which form no part of the claimed design.

1 Claim, 1 Drawing Sheet



(56)

References Cited

U.S. PATENT DOCUMENTS

6,110,028 A *	8/2000	Chung	B24B 23/02	7,094,138 B2 *	8/2006	Chang	B24B 55/10
				451/359					451/359
6,142,858 A *	11/2000	Luedeke	B24B 45/006	D580,728 S *	11/2008	Umbrell	D8/70
				451/342	D581,236 S *	11/2008	Umbrell	D8/70
6,159,084 A *	12/2000	Tiede	B24B 23/04	D609,073 S *	2/2010	Lin	D15/140
				451/357	8,303,380 B2 *	11/2012	Lehman	B24B 23/026
6,349,446 B1 *	2/2002	Krause	B24B 23/022					451/357
				15/230	D714,119 S *	9/2014	Graber	D8/70
6,361,424 B1 *	3/2002	Manor	B24B 55/102	D738,177 S *	9/2015	Finnas	D8/70
				451/353	D740,637 S *	10/2015	Finnas	D8/70
6,378,157 B1 *	4/2002	Kosla	A47L 11/164	9,242,304 B2 *	1/2016	Martin	B23D 59/006
				15/230	9,833,878 B2 *	12/2017	Nguyen	B24B 23/03
D460,469 S *	7/2002	Yue	D15/140	2005/0153640 A1 *	7/2005	Stein	B24B 45/006
D472,114 S *	3/2003	Palecki	D17/22					451/494
D503,602 S *	4/2005	Hede	D8/70	2009/0279971 A1 *	11/2009	O'Keefe	B23B 51/0473
D506,376 S *	6/2005	Hede	D8/70					408/204
D509,121 S *	9/2005	Hede	D8/70	2009/0293696 A1 *	12/2009	Rauscher	B26D 7/2621
									83/665
					2018/0085833 A1 *	3/2018	Ward	B23B 51/0473

* cited by examiner

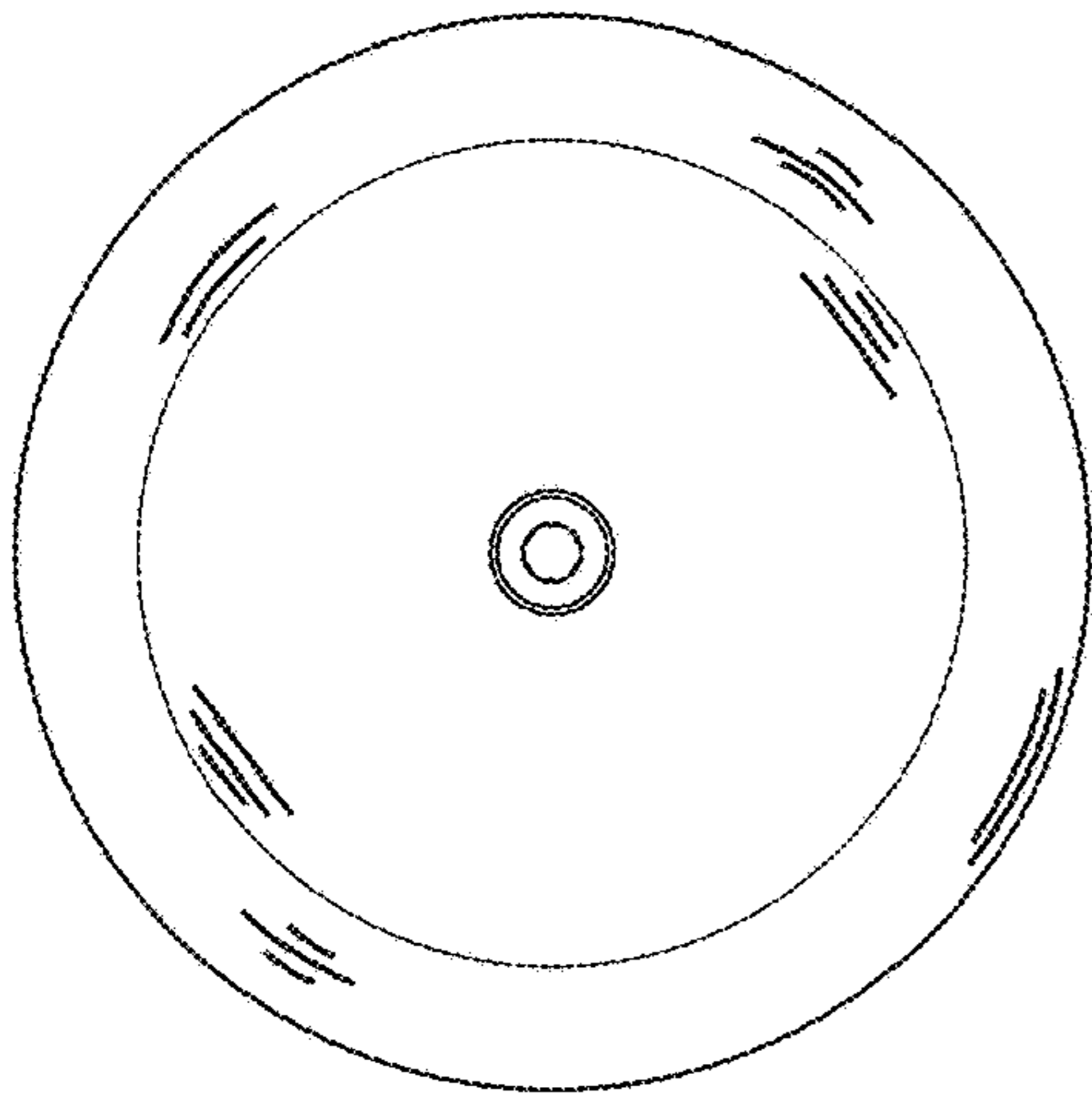


FIG. 2

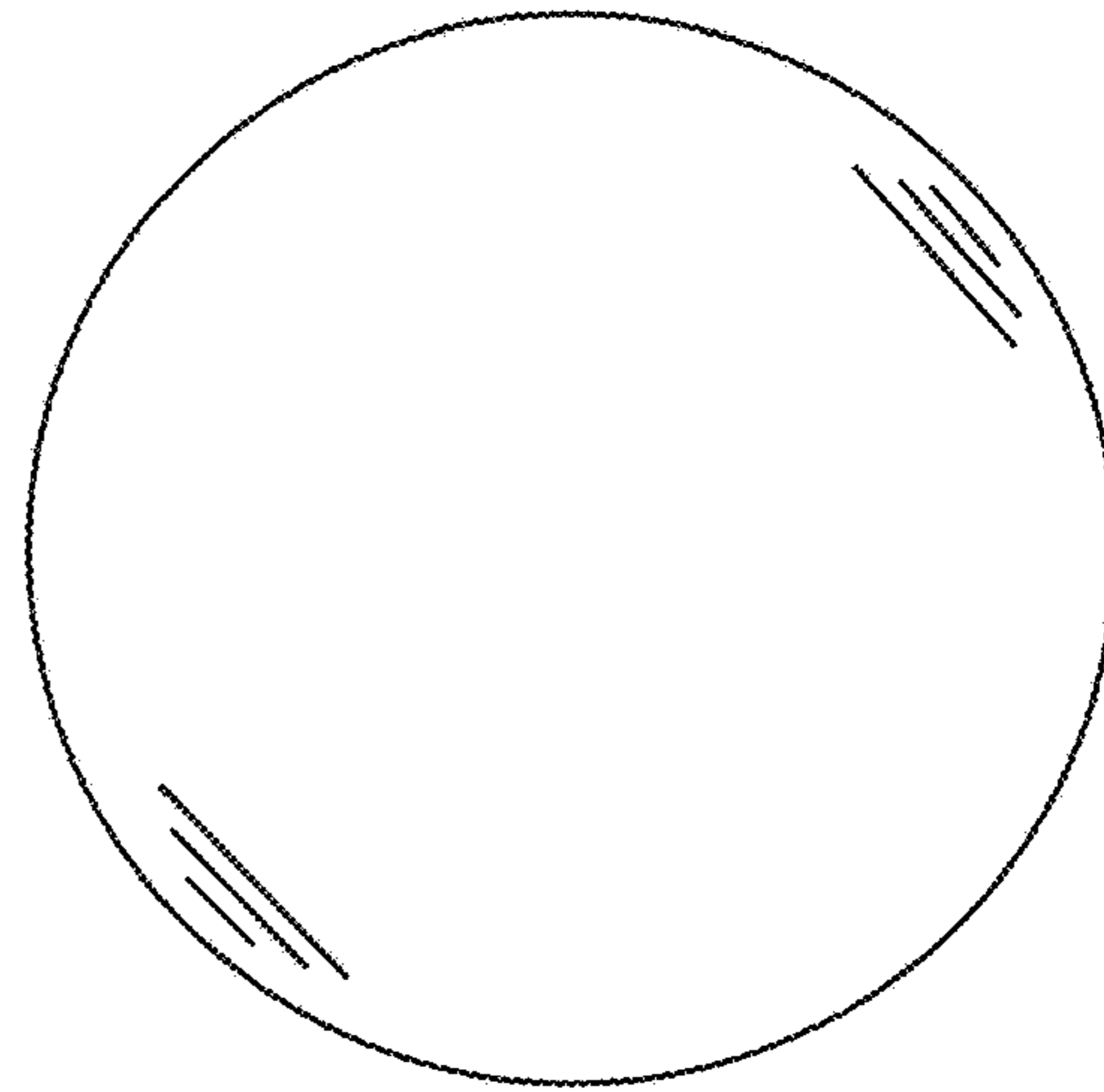


FIG. 4

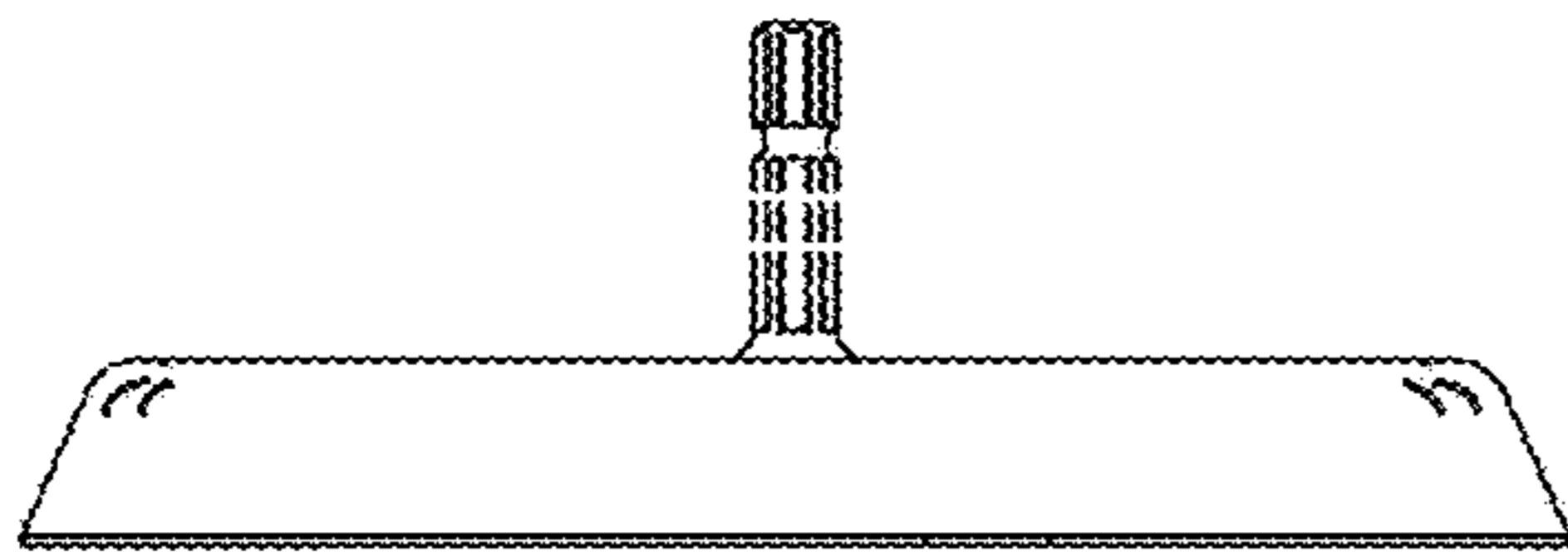


FIG. 3

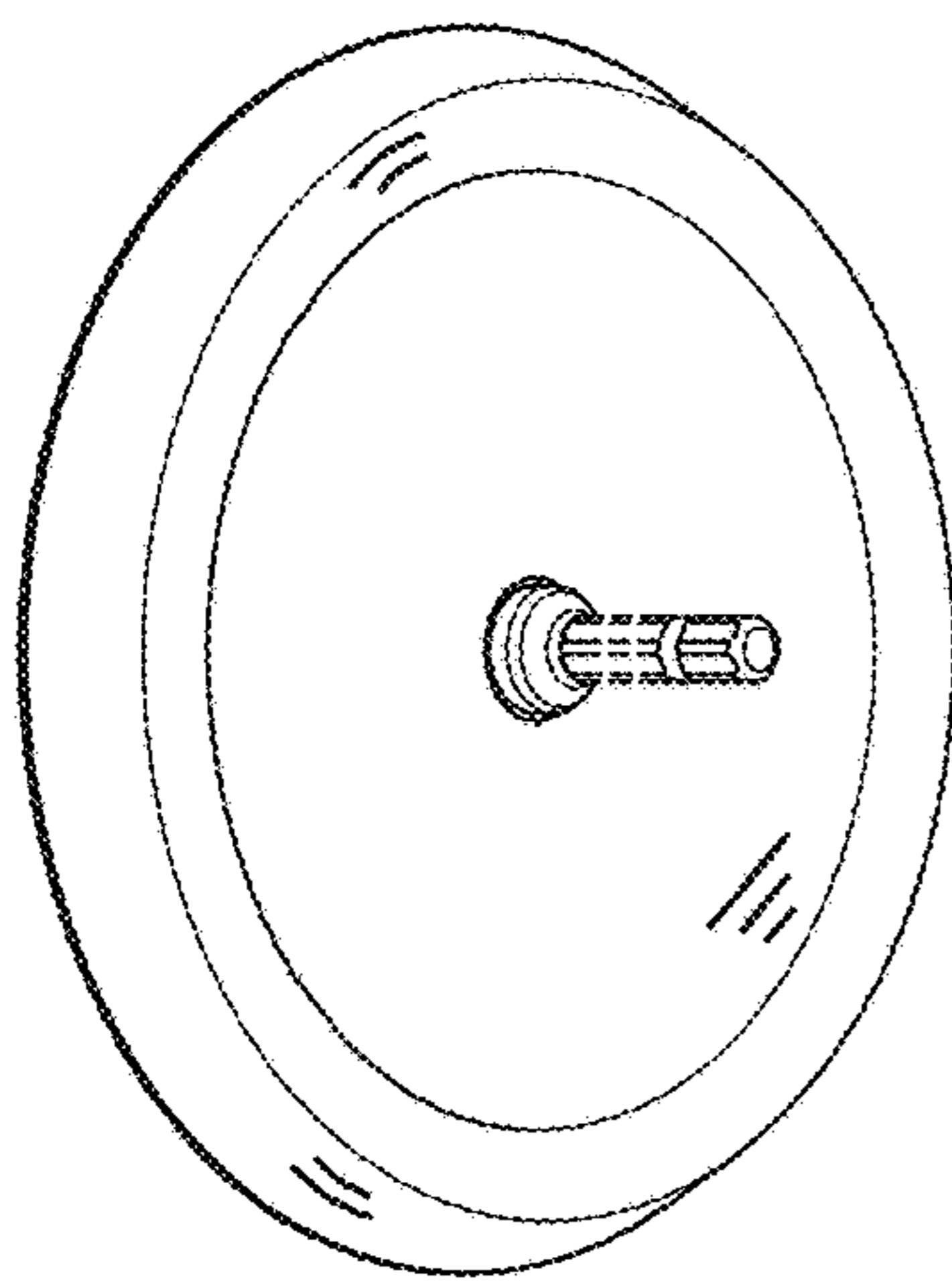


FIG. 1