



US00D876500S

(12) **United States Design Patent** (10) **Patent No.:** **US D876,500 S**
Klaczynski et al. (45) **Date of Patent:** **** Feb. 25, 2020**

(54) **PART OF SHAPING MACHINE**

(56) **References Cited**

(71) Applicant: **ZORTRAX S.A.**, Olsztyn (PL)

U.S. PATENT DOCUMENTS

(72) Inventors: **Robert Klaczynski**, Olsztyn (PL);
Krzysztof Urban, Rydzyna (PL);
Mateusz Piotrkowski, Gdansk (PL);
Rafal Tomasiak, Olsztyn (PL);
Sylwester Galek, Ostroda (PL); **Marek Sandomierski**, Szczytno (PL);
Karolina Boladz, Olsztyn (PL)

D420,686 S *	2/2000	Kunema	D15/127
D547,336 S *	7/2007	Kai	D15/122
D553,653 S *	10/2007	Kai	D15/122
D606,568 S *	12/2009	Jackson	D15/131
D619,649 S *	7/2010	Chen	D18/57
D644,672 S *	9/2011	Kajihara	D15/131
D673,592 S *	1/2013	Winiger	D15/132
D709,535 S *	7/2014	Johnsson	D15/122
D744,552 S *	12/2015	Schonherr	D15/122
D745,071 S *	12/2015	Schonherr	D15/122
D745,072 S *	12/2015	Schonherr	D15/122
D758,462 S *	6/2016	Bell	D15/122
D768,215 S *	10/2016	Funakoshi	D15/135
D768,216 S *	10/2016	Funakoshi	D15/135
D768,741 S *	10/2016	Funakoshi	D15/135
D769,339 S *	10/2016	Funakoshi	D15/135
D806,768 S *	1/2018	Terabe	D15/135
D812,113 S *	3/2018	Sakaguchi	D15/135
D812,114 S *	3/2018	Sakaguchi	D15/135
D813,277 S *	3/2018	Terabe	D15/135
D815,161 S *	4/2018	Sakaguchi	D15/135
D815,162 S *	4/2018	Sakaguchi	D15/135
D815,670 S *	4/2018	Terabe	D15/135
D815,671 S *	4/2018	Terabe	D15/135
D819,095 S *	5/2018	Sakaguchi	D15/135

(**) Term: **15 Years**

(21) Appl. No.: **35/506,293**

(22) Filed: **Jul. 5, 2018**

(80) **Hague Agreement Data**

Int. Filing Date: **Jul. 5, 2018**
 Int. Reg. No.: **DM/103013**
 Int. Reg. Date: **Jul. 5, 2018**
 Int. Reg. Pub. Date: **Jan. 11, 2019**

(Continued)

(51) **LOC (12) Cl.** **15-09**

(52) **U.S. Cl.**
 USPC **D15/122**
 CPC **B29C 43/24** (2013.01)

Primary Examiner — Richard E Chilcot

(58) **Field of Classification Search**
 USPC D15/122, 135–138, 141, 142, 199
 CPC B29C 45/0001; B29C 2043/3427; B29C 2043/3494; B29C 2045/0006; B29C 2045/0043; B29C 2045/0049; B29C 2045/14803; B29C 2945/76444; B29C 43/24; B29C 45/0005; B29C 45/0025; B29C 45/006; B29C 45/14311; B29C 45/14778; B29C 45/14811; B29C 45/14819; B29C 45/1657; B29C 45/1671; B29C 45/1761; B29C 45/2708; B29C 45/40; B29C 45/401; B29C 45/42; B29C 45/84; B29C 47/0004; B29C 47/0021

(57) **CLAIM**

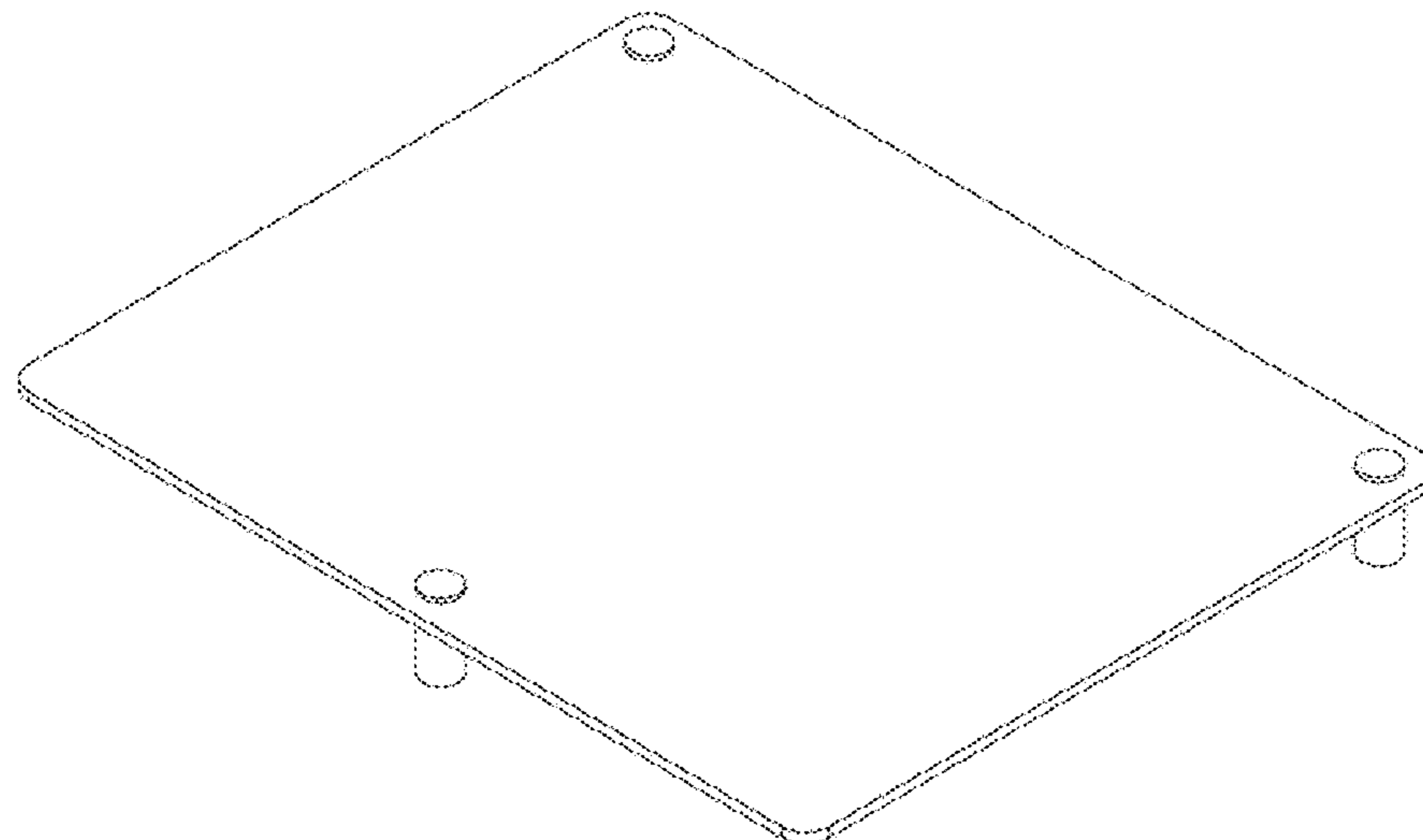
The ornamental design for a part of a shaping machine, as shown and described.

DESCRIPTION

- 1. Part of shaping machine
- 1.1 : Perspective
- 1.2 : Back
- 1.3 : Bottom
- 1.4 : Front
- 1.5 : Left
- 1.6 : Right
- 1.7 : Top

See application file for complete search history.

1 Claim, 7 Drawing Sheets



(56)

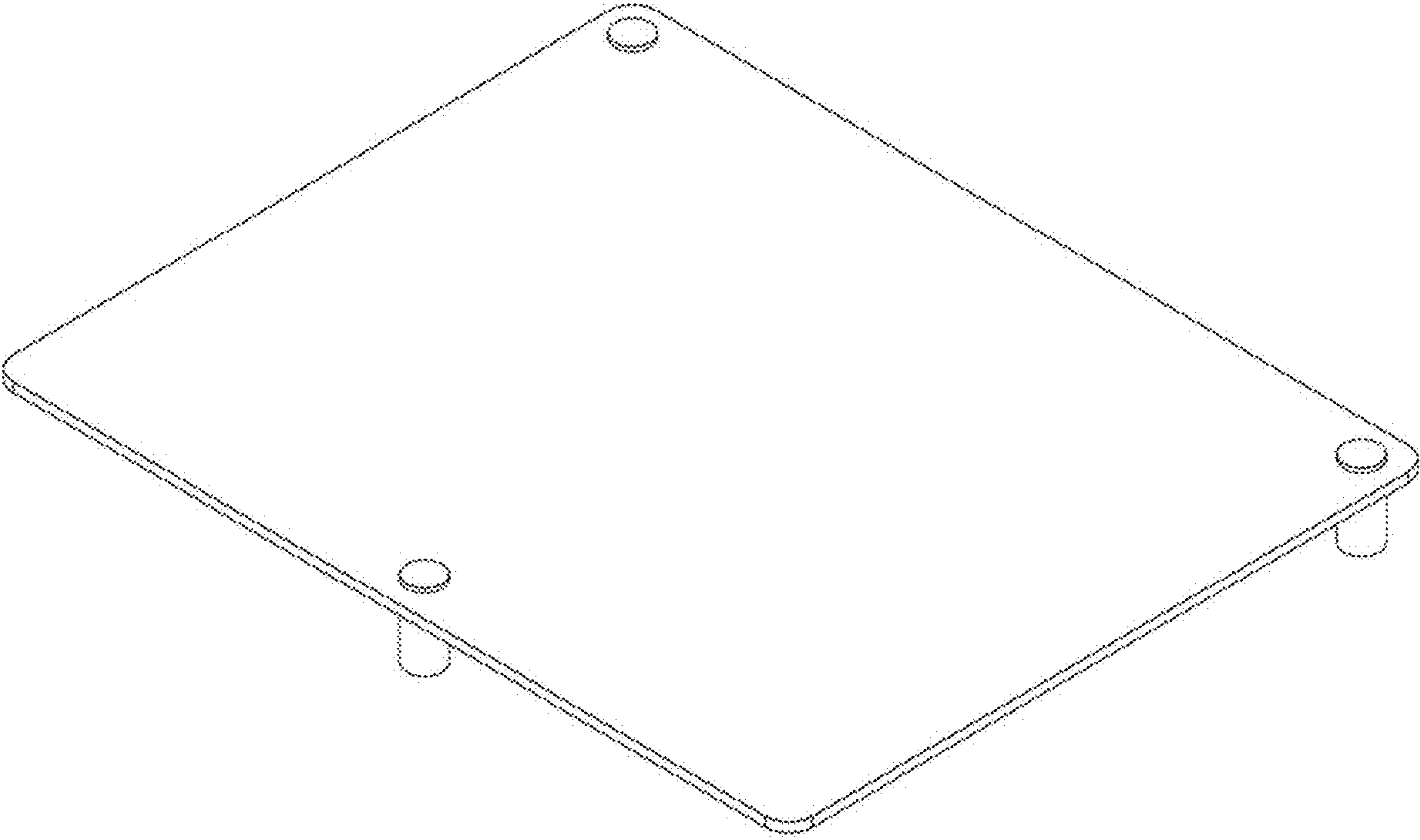
References Cited

U.S. PATENT DOCUMENTS

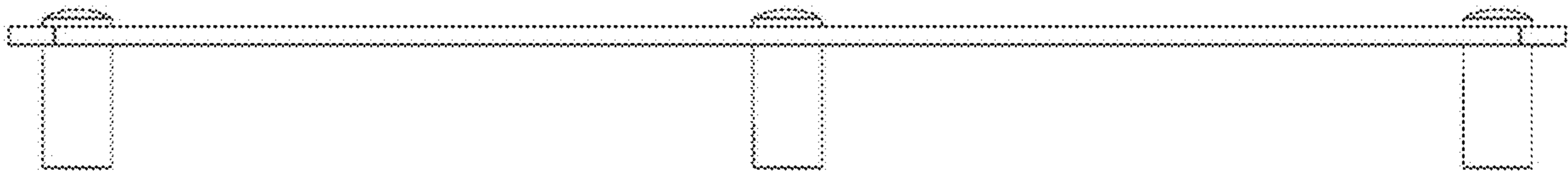
D819,096 S * 5/2018 Terabe D15/135
D820,892 S * 6/2018 Sakaguchi D15/136
D822,075 S * 7/2018 Terabe D15/136
D824,435 S * 7/2018 Terabe D15/138
2007/0000122 A1* 1/2007 Caya B21F 3/00
29/735
2007/0088523 A1* 4/2007 Keller B28B 17/0081
702/127
2011/0016942 A1* 1/2011 Etienne B21F 3/02
72/199
2014/0360618 A1* 12/2014 Shan D04C 3/02
139/11
2018/0226865 A1* 8/2018 Bihari H02K 15/045

* cited by examiner

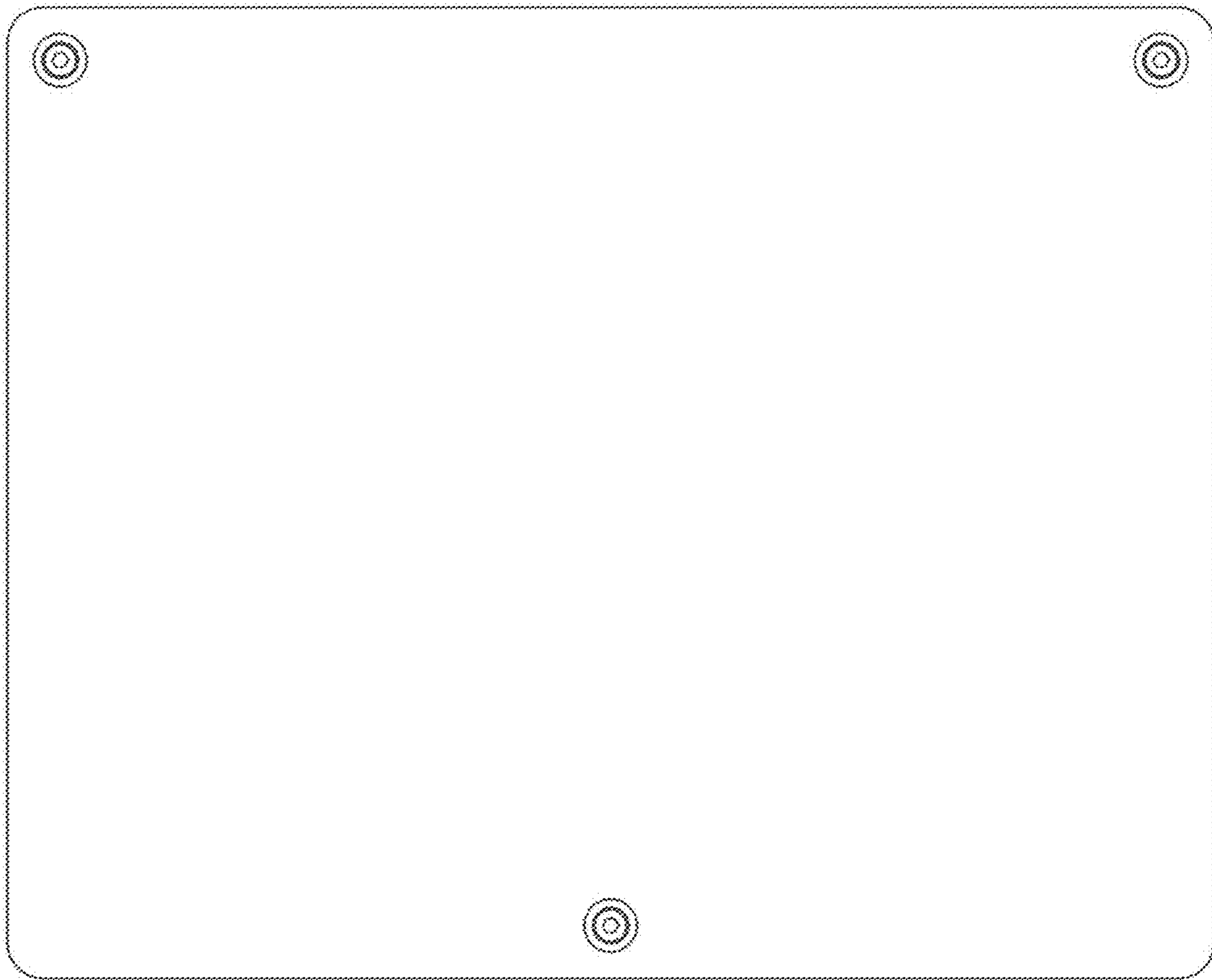
1.1



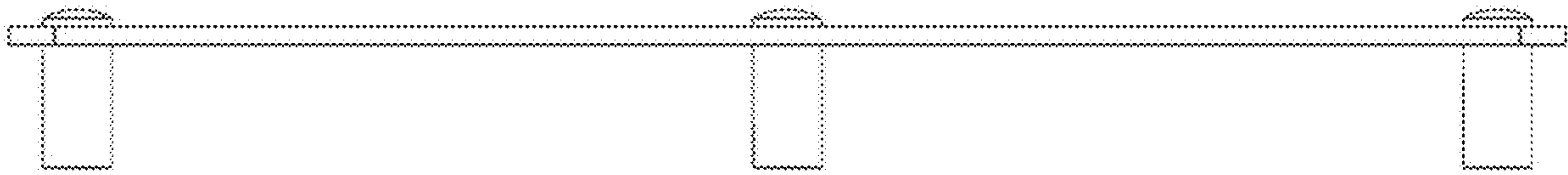
1.2



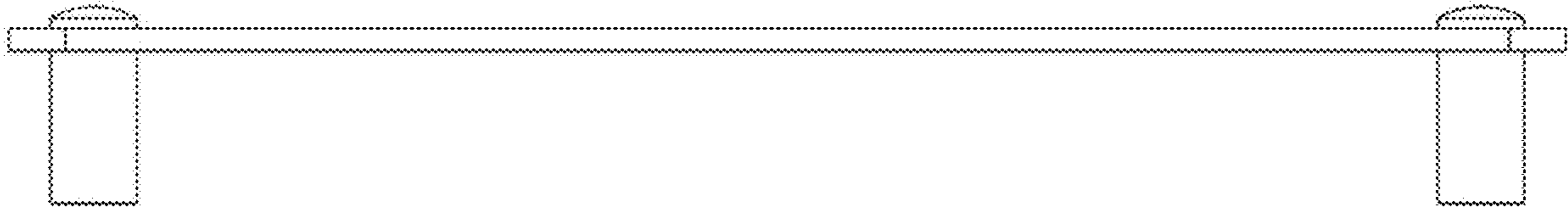
1.3



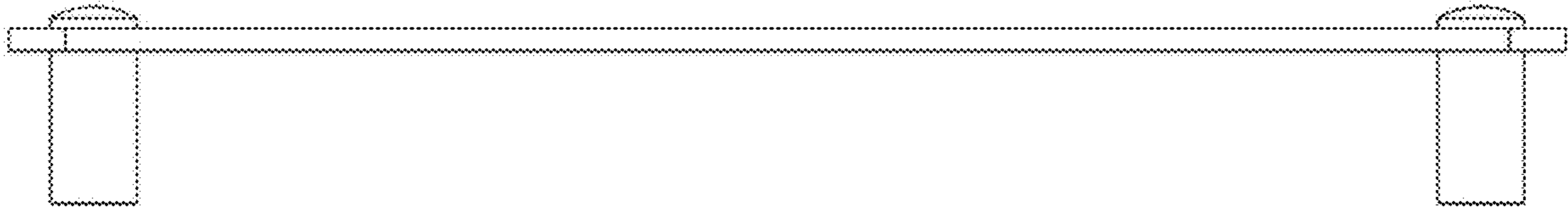
1.4



1.5



1.6



1.7

