



US00D876499S

(12) **United States Design Patent** (10) **Patent No.:** **US D876,499 S**  
**Yu et al.** (45) **Date of Patent:** **\*\* Feb. 25, 2020**

(54) **SHELF FOR REFRIGERATOR**  
(71) Applicant: **LG ELECTRONICS INC.**, Seoul (KR)  
(72) Inventors: **Seonil Yu**, Seoul (KR); **Kyutae Park**, Seoul (KR); **Daesung Lee**, Seoul (KR); **Hyun Choi**, Seoul (KR); **Junyi Heo**, Seoul (KR)  
(73) Assignee: **LG ELECTRONICS INC.**, Seoul (KR)  
(\*\*) Term: **15 Years**

D515,598 S \* 2/2006 Vardon ..... D15/89  
D515,599 S \* 2/2006 Vardon ..... D15/89  
D516,100 S \* 2/2006 Vardon ..... D15/89  
D516,101 S \* 2/2006 Vardon ..... D15/89  
D516,102 S \* 2/2006 Vardon ..... D15/89  
D523,034 S \* 6/2006 Vardon ..... D15/89  
D523,450 S \* 6/2006 Vardon ..... D15/89  
D525,269 S \* 7/2006 Vardon ..... D15/89  
D525,633 S \* 7/2006 Vardon ..... D15/89  
D557,293 S \* 12/2007 Vardon ..... D15/89  
D559,280 S \* 1/2008 Vardon ..... D15/89  
D559,281 S \* 1/2008 Vardon ..... D15/89  
D559,282 S \* 1/2008 Vardon ..... D15/89

(Continued)

(21) Appl. No.: **35/505,300**

(22) Filed: **Jan. 12, 2018**

(80) **Hague Agreement Data**

Int. Filing Date: **Jan. 12, 2018**

Int. Reg. No.: **DM/099524**

Int. Reg. Date: **Jan. 12, 2018**

Int. Reg. Pub. Date: **Jul. 13, 2018**

(30) **Foreign Application Priority Data**

Jul. 14, 2017 (KR) ..... 30-2017-0032694

(51) **LOC (12) Cl.** ..... **15-07**

(52) **U.S. Cl.**

USPC ..... **D15/90**

CPC ..... **F25D 11/00** (2013.01)

(58) **Field of Classification Search**

USPC ..... D15/79-91

CPC ..... F25D 11/00; F25D 11/02; F25D 13/00;

F25D 19/00; F25D 21/00; F25D 23/00;

F25D 2321/1441; F25D 2325/021; F25D

2325/022; F25D 2325/023

See application file for complete search history.

(56) **References Cited**

U.S. PATENT DOCUMENTS

D309,461 S \* 7/1990 Bussan ..... D15/89

D495,720 S \* 9/2004 Avalos Barcenas ..... D15/89

*Primary Examiner* — Richard E Chilcot

(74) *Attorney, Agent, or Firm* — Birch, Stewart, Kolasch & Birch, LLP

(57) **CLAIM**

The ornamental design for a shelf for refrigerator, as shown and described.

**DESCRIPTION**

1. Shelf for refrigerator

1.1 : Perspective

1.2 : Front

1.3 : Back

1.4 : Left

1.5 : Top

1.6 : Bottom

1.7 : Perspective view 2

1.8 : Perspective view showing the shelf in a first position

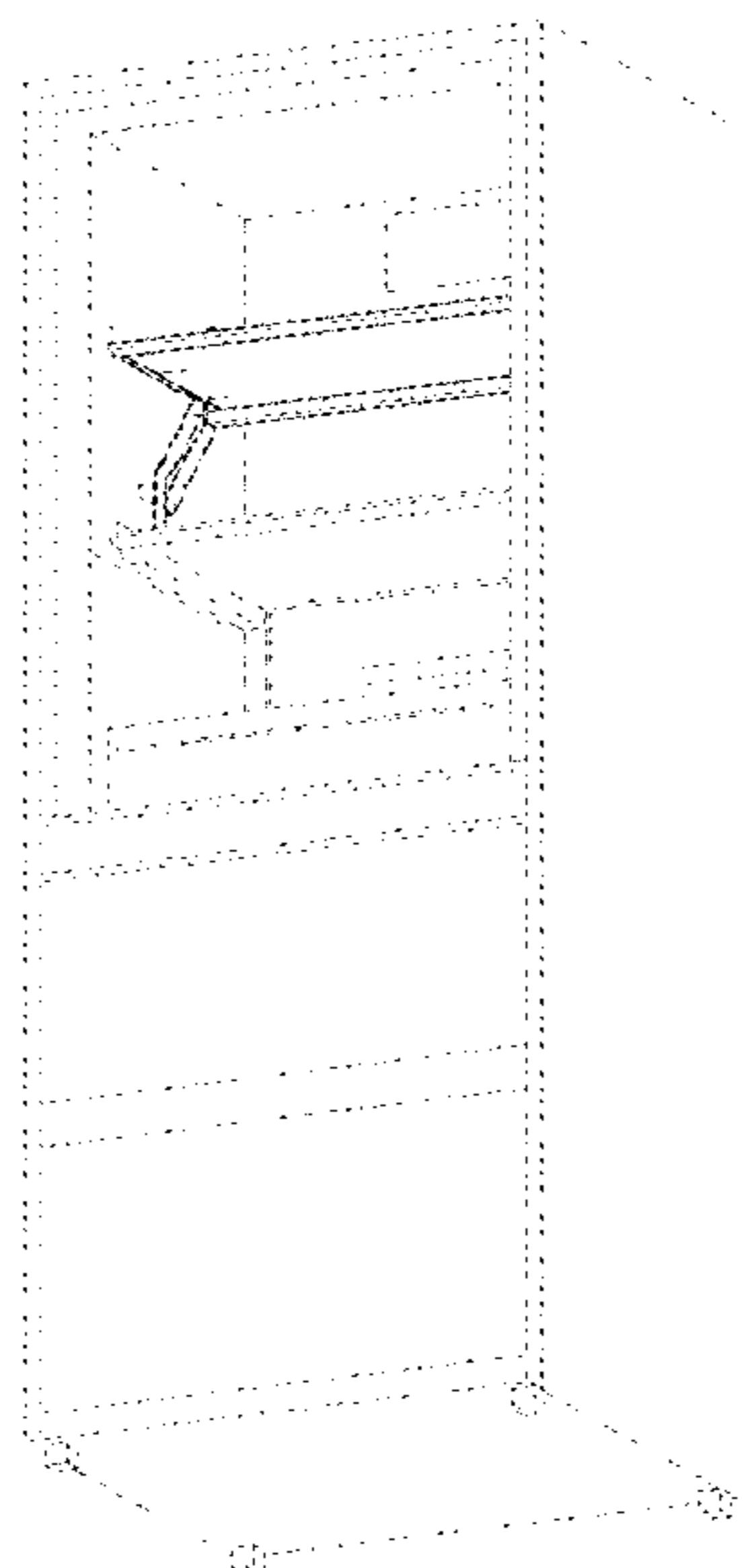
1.9 : Perspective view showing the shelf in a second position

1.10 : Perspective view showing the shelf in a third position

1.11 : Perspective view showing the shelf in a fourth position

The broken lines depict portions of the shelf for refrigerator that form no part of the claimed design.

**1 Claim, 11 Drawing Sheets**



(56)

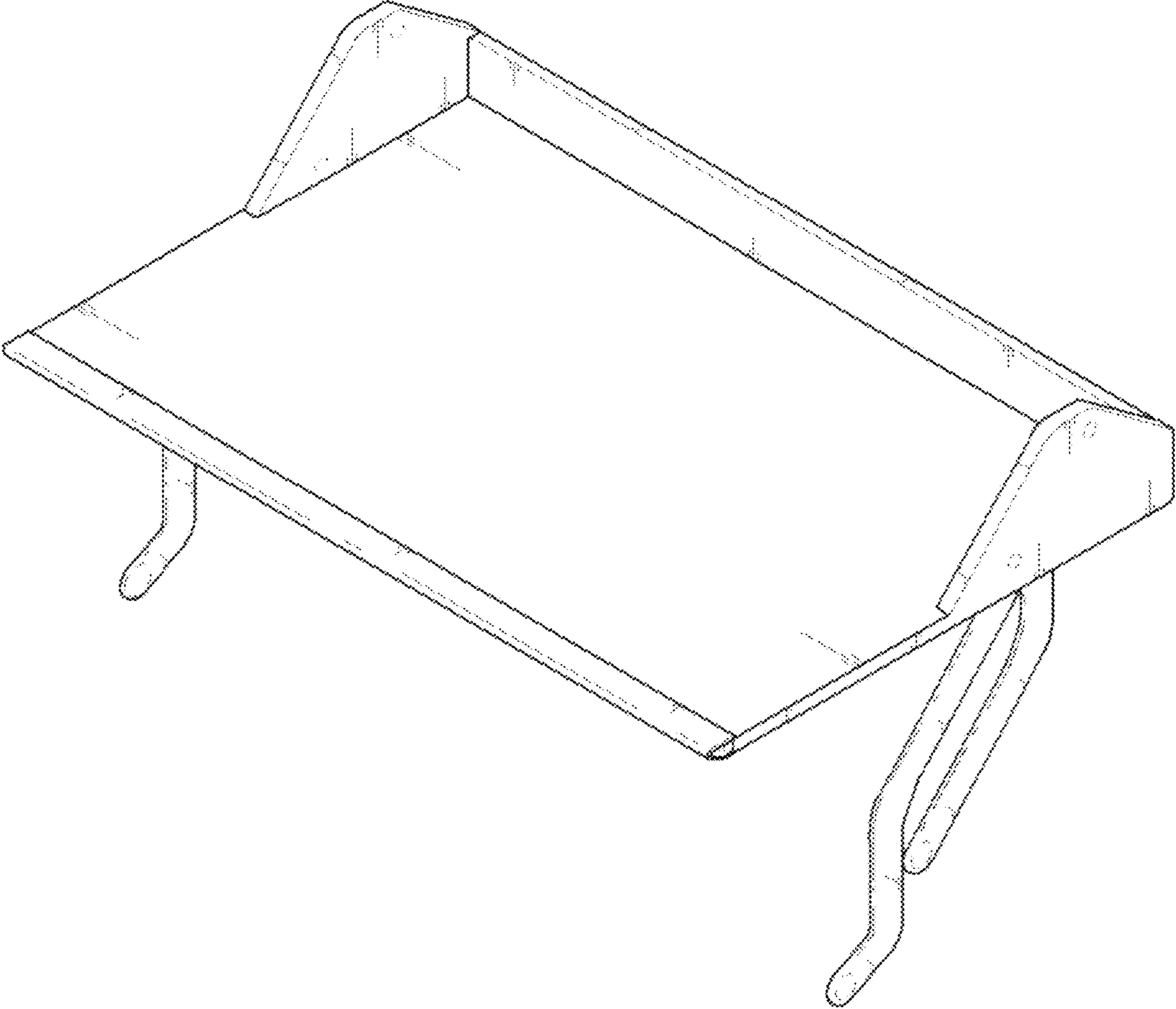
**References Cited**

U.S. PATENT DOCUMENTS

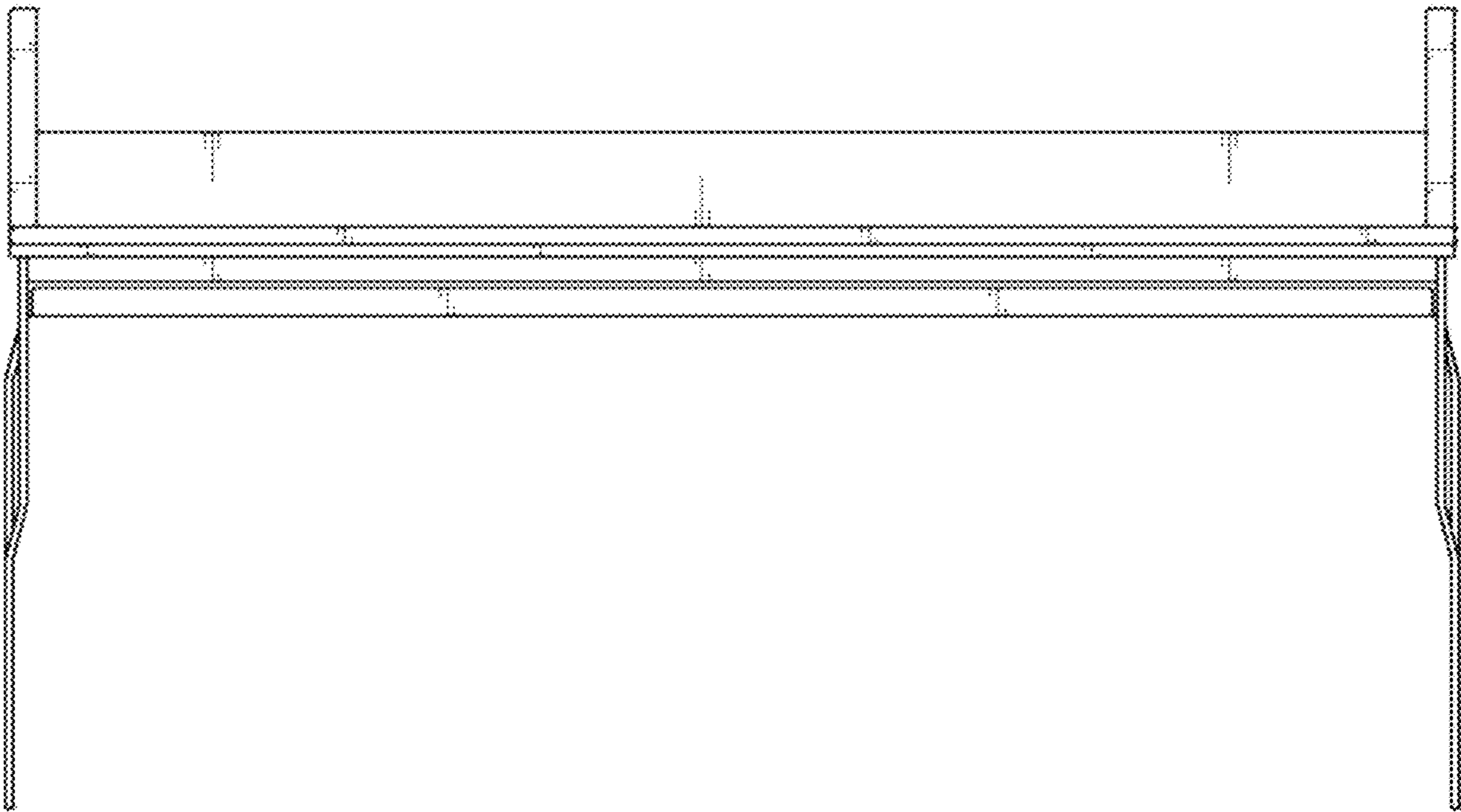
D562,854	S	*	2/2008	Vardon	.....	D15/89
D568,344	S	*	5/2008	Baacke	.....	D15/89
D577,744	S	*	9/2008	Baacke	.....	D15/89
D612,404	S	*	3/2010	Picken	.....	D15/89
D612,405	S	*	3/2010	Eicher	.....	D15/89
D613,316	S	*	4/2010	Schmidt	.....	D15/89
8,414,095	B2	*	4/2013	Stewart	.....	F25D 25/024 108/108
D694,292	S	*	11/2013	Eby	.....	D15/89
D777,807	S	*	1/2017	Kim	.....	D15/89
D786,320	S	*	5/2017	Harvey	.....	D15/89
D787,567	S	*	5/2017	Harvey	.....	D15/89
D800,800	S	*	10/2017	Park	.....	D15/89
D800,801	S	*	10/2017	Park	.....	D15/89
D807,930	S	*	1/2018	Burke	.....	D15/89
D808,445	S	*	1/2018	Burke	.....	D15/89
D808,446	S	*	1/2018	Burke	.....	D15/89
D809,026	S	*	1/2018	Harvey	.....	D15/89
D809,572	S	*	2/2018	Burke	.....	D15/89

\* cited by examiner

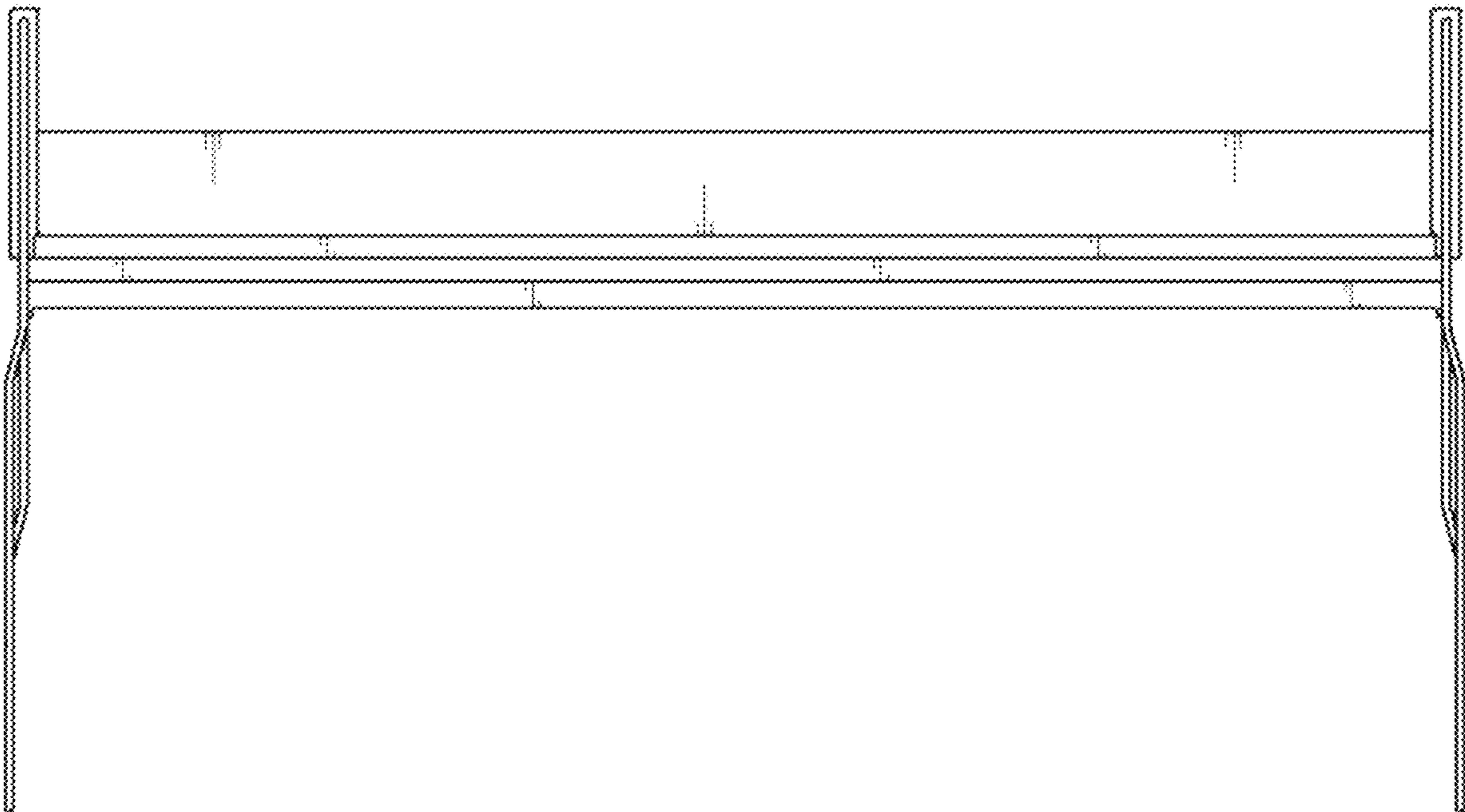
1.1



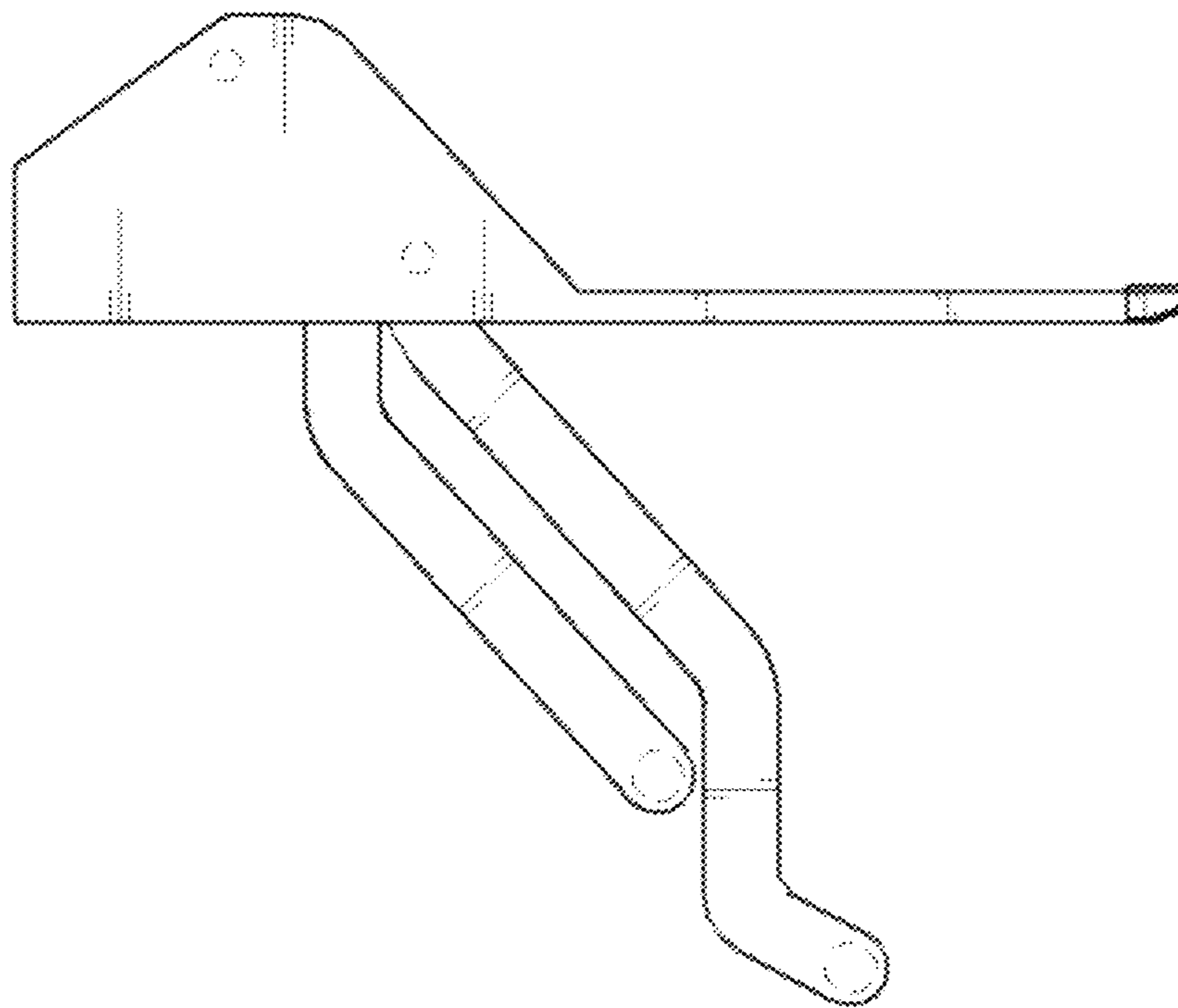
1.2



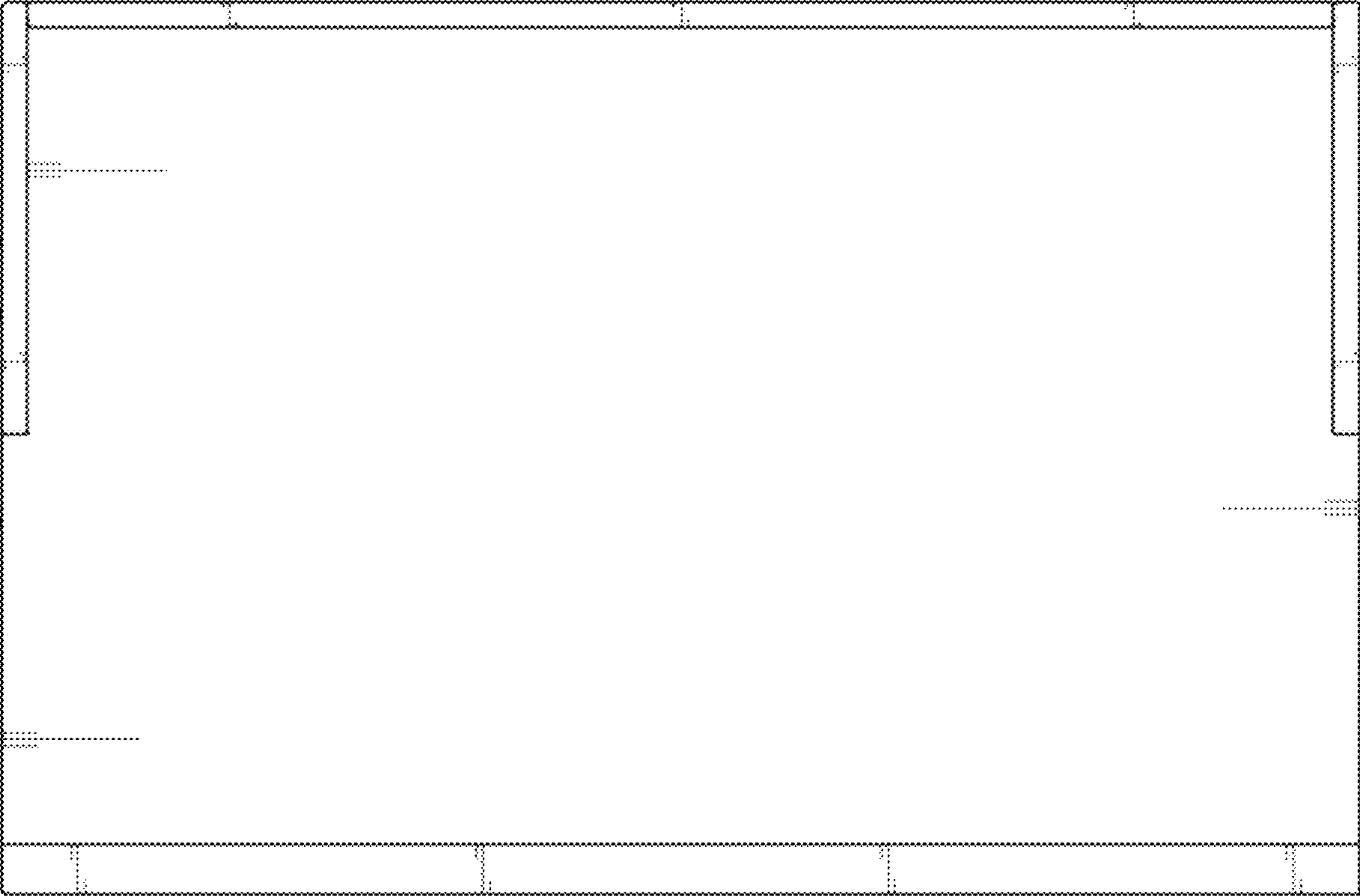
1.3



1.4

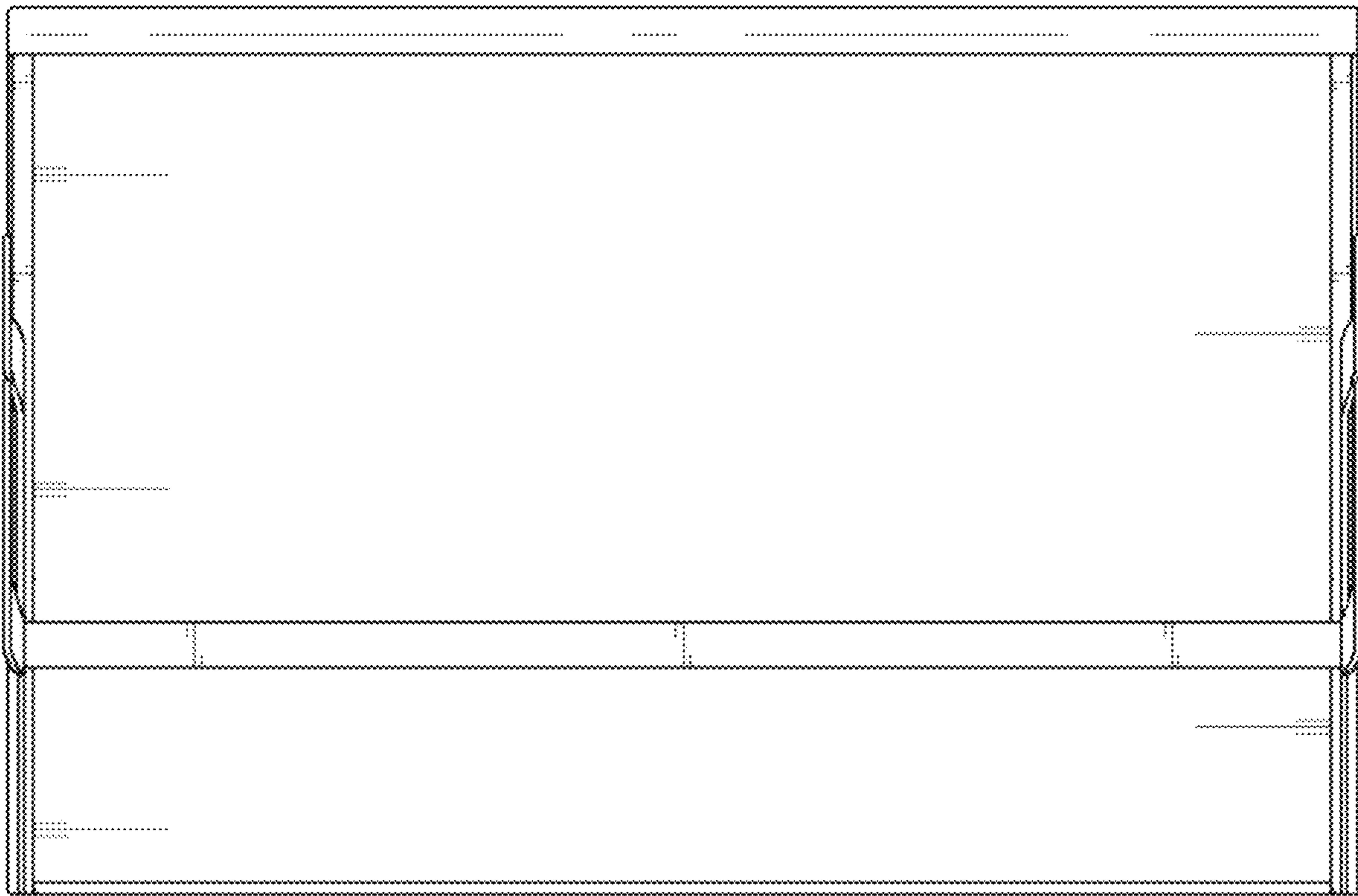


1.5



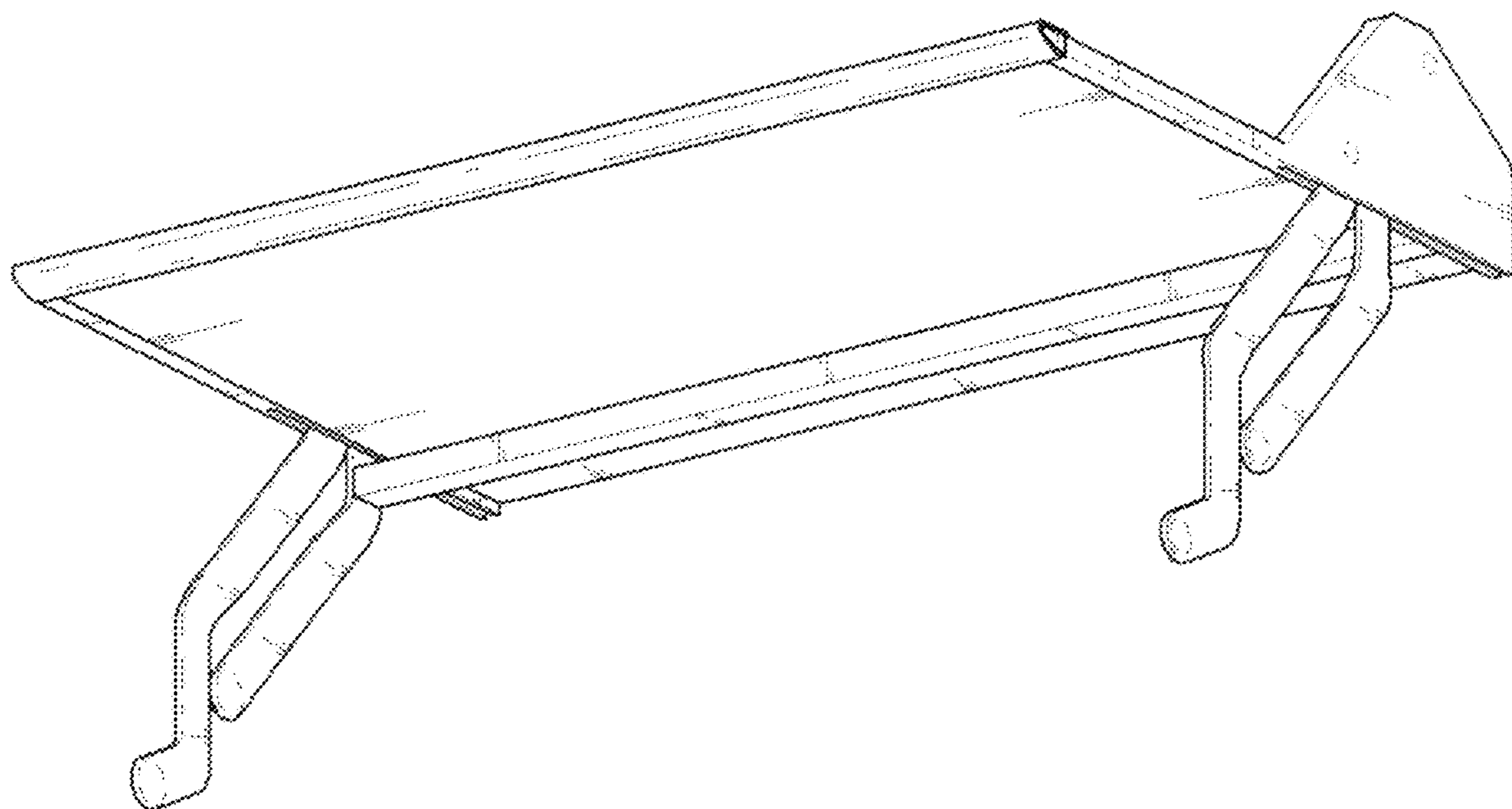


1.6

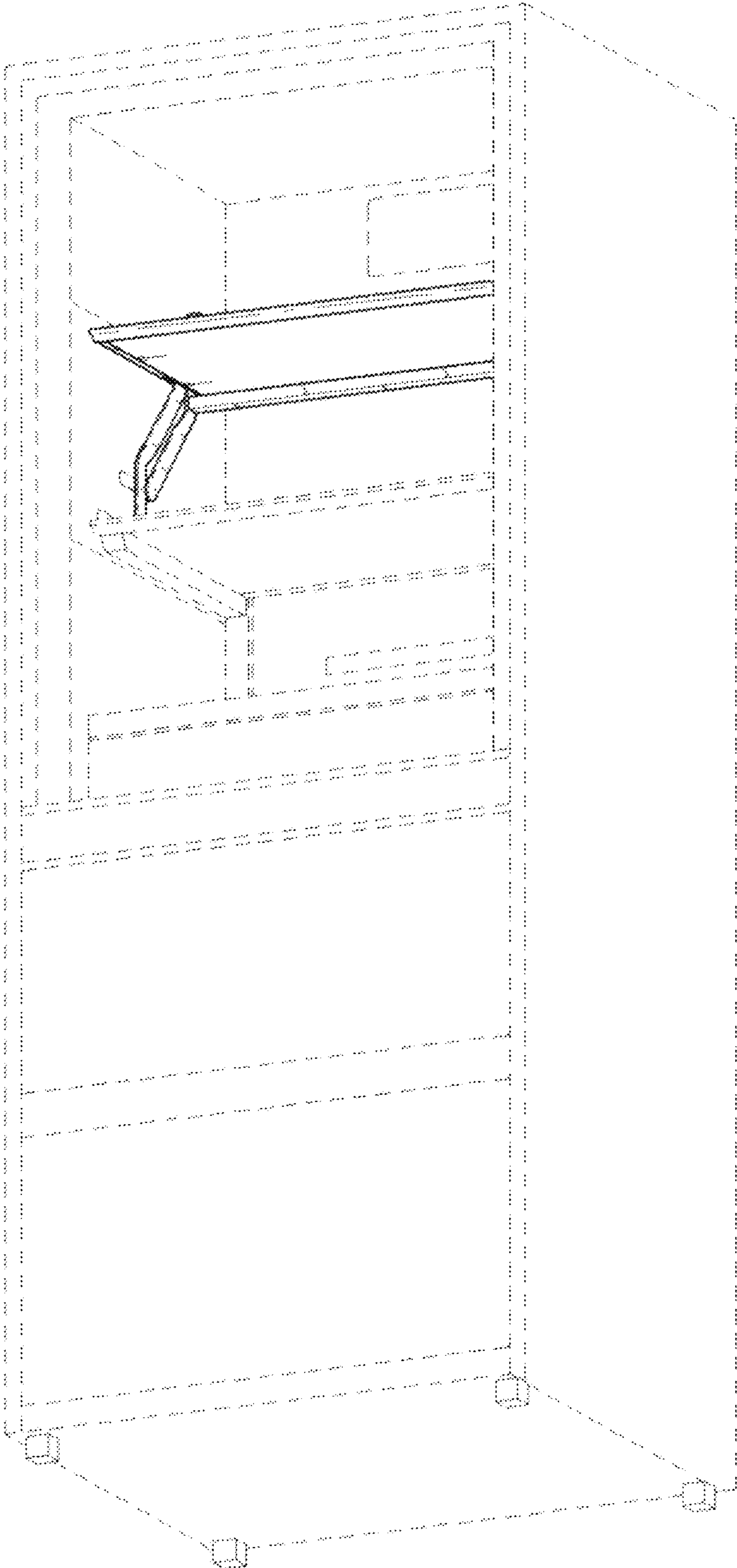




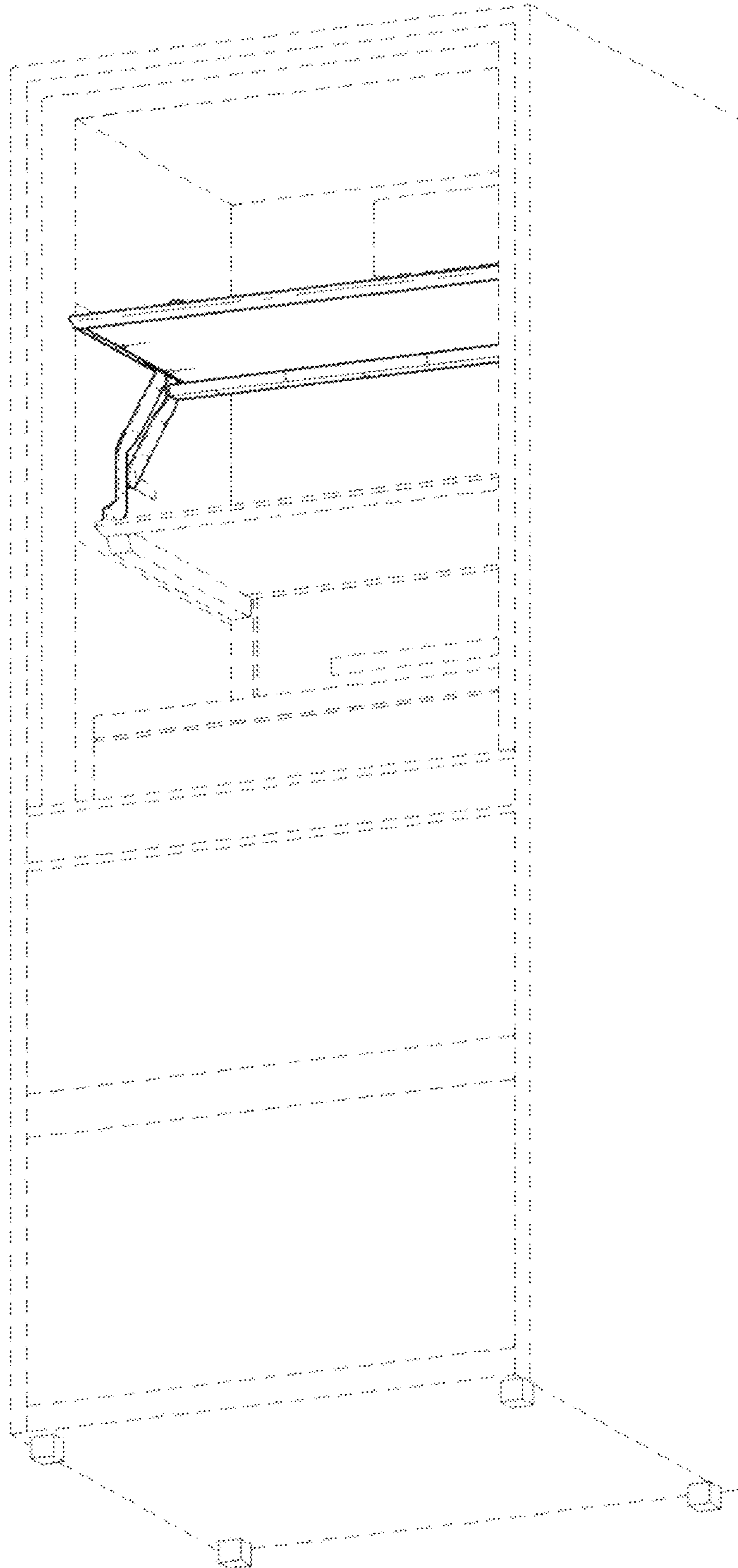
1.7



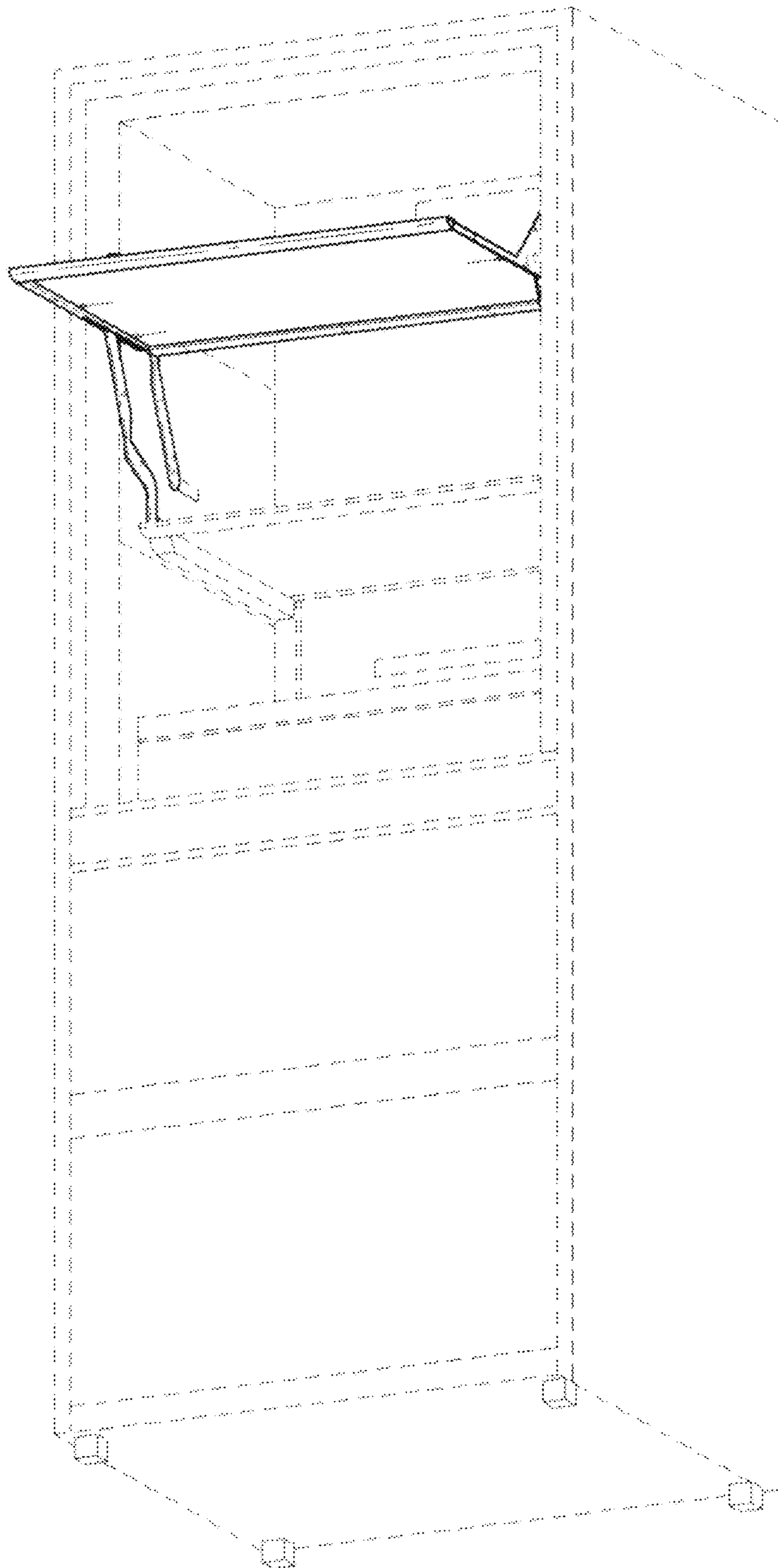
1.8



1.9



1.10



1.11

