



US00D876496S

(12) **United States Design Patent** (10) **Patent No.:** **US D876,496 S**
Staton et al. (45) **Date of Patent:** **** Feb. 25, 2020**

(54) **USER INTERFACE TRIM FRAME AND USER INTERFACE ASSEMBLY**

(71) Applicant: **Thermo Fisher Scientific (Asheville) LLC, Asheville, NC (US)**

(72) Inventors: **John M. Staton, Waltham, MA (US); Lou S. Popovitch, Asheville, NC (US)**

(73) Assignee: **Thermo Fisher Scientific (Asheville) LLC, Asheville, NC (US)**

(**) Term: **15 Years**

(21) Appl. No.: **29/605,759**

(22) Filed: **May 30, 2017**

(51) **LOC (12) Cl.** **15-07**

(52) **U.S. Cl.**
USPC **D15/89**

(58) **Field of Classification Search**
USPC D15/79, 80, 82, 89, 90; D3/200–201, D3/203.1, 203.3, 205–206, 304–315; D6/672, 675

CPC F25B 21/02; F25B 2321/02; F25B 1/005; F25B 2321/0252; F25B 1/00; F25B 1/10; F25B 21/04; F25B 2339/047; F25B 5/02; F25B 7/00; F25B 13/00; F25B 1/053; F25B 2309/06; F25B 2321/021; F25B 2321/023; F25D 23/028; F25D 23/02; F25D 25/025; F25D 23/00; F25D 2323/021; F25D 11/00; F25D 2323/024; F25D 23/04; F25D 29/00; F25D 25/02; F25D 25/024; F25D 27/005; F25D 23/12; F25D 29/005; F25D 17/042; F25D 2325/021

See application file for complete search history.

(56) **References Cited**

U.S. PATENT DOCUMENTS

D642,544 S * 8/2011 Kataoka D13/168
D690,661 S * 10/2013 Wisniewski D13/162

D694,195 S * 11/2013 Gammon D13/162
D730,847 S * 6/2015 Weiss D13/168
D740,766 S * 10/2015 Falkenberg D13/169
D742,333 S * 11/2015 Engblom D13/162
D792,789 S * 7/2017 Read D10/50
D793,346 S * 8/2017 Folk D13/162
D797,580 S * 9/2017 Read D10/49
D804,431 S * 12/2017 Abellera D13/162
D813,823 S * 3/2018 Zhang D13/162
D839,319 S * 1/2019 Mochizuki D15/89

(Continued)

Primary Examiner — Khawaja Anwar

(74) *Attorney, Agent, or Firm* — Wood Herron & Evans LLP

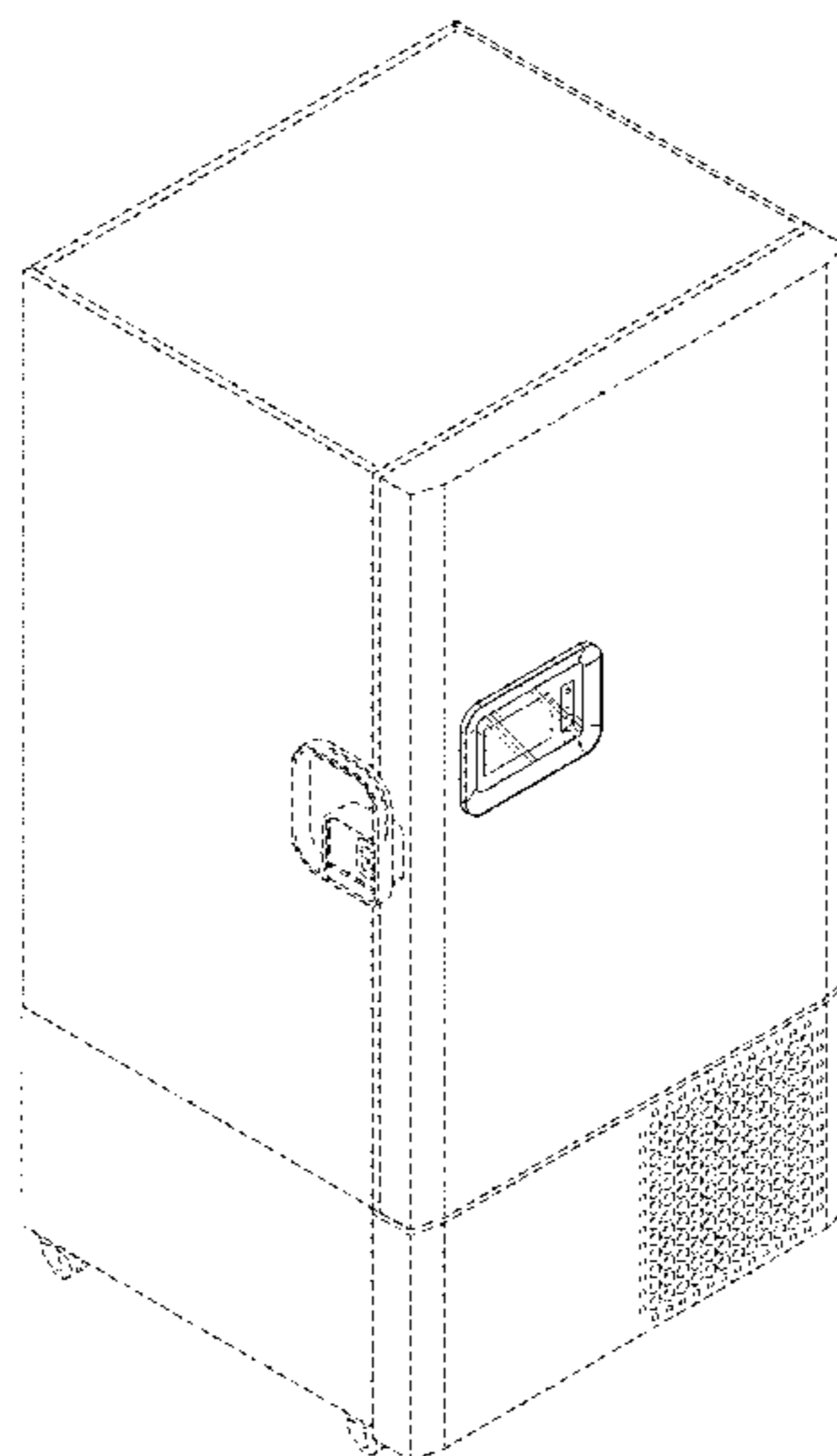
(57) **CLAIM**

The ornamental design for a user interface trim frame and user interface assembly, as shown and described.

DESCRIPTION

FIG. 1 is a front isometric view of the present invention shown with environmental structure;
FIG. 2 is a detail front isometric view of the invention of FIG. 1;
FIG. 3 is a front elevation view of the invention of FIG. 1;
FIG. 4 is a top plan view of the invention of FIG. 1, the bottom plan view being a mirror image thereof;
FIG. 5 is a cross section view of the invention of FIG. 1 taken along line 12-12 of FIG. 3;
FIG. 6 is a right side elevation view of the invention of FIG. 1, the left side elevation view being a mirror image thereof; and,
FIG. 7 is a cross section view of the invention of FIG. 1 taken along line 14-14 of FIG. 3.
The broken dash lines and broken dash hatching in the figures represent non-claimed subject matter. Neither the broken dash line portions nor the broken dash lines themselves forms any part of the claimed invention.

1 Claim, 4 Drawing Sheets



(56)

References Cited

U.S. PATENT DOCUMENTS

D843,239 S *	3/2019	Read	D10/50
D844,678 S *	4/2019	Jacobsthal	D15/28
D862,255 S *	10/2019	Erbacher	D10/49
D863,379 S *	10/2019	Bilancio	D15/89
D865,914 S *	11/2019	Snyder	D23/249
2004/0164966 A1 *	8/2004	Lee	G06F 3/0488 345/173

* cited by examiner

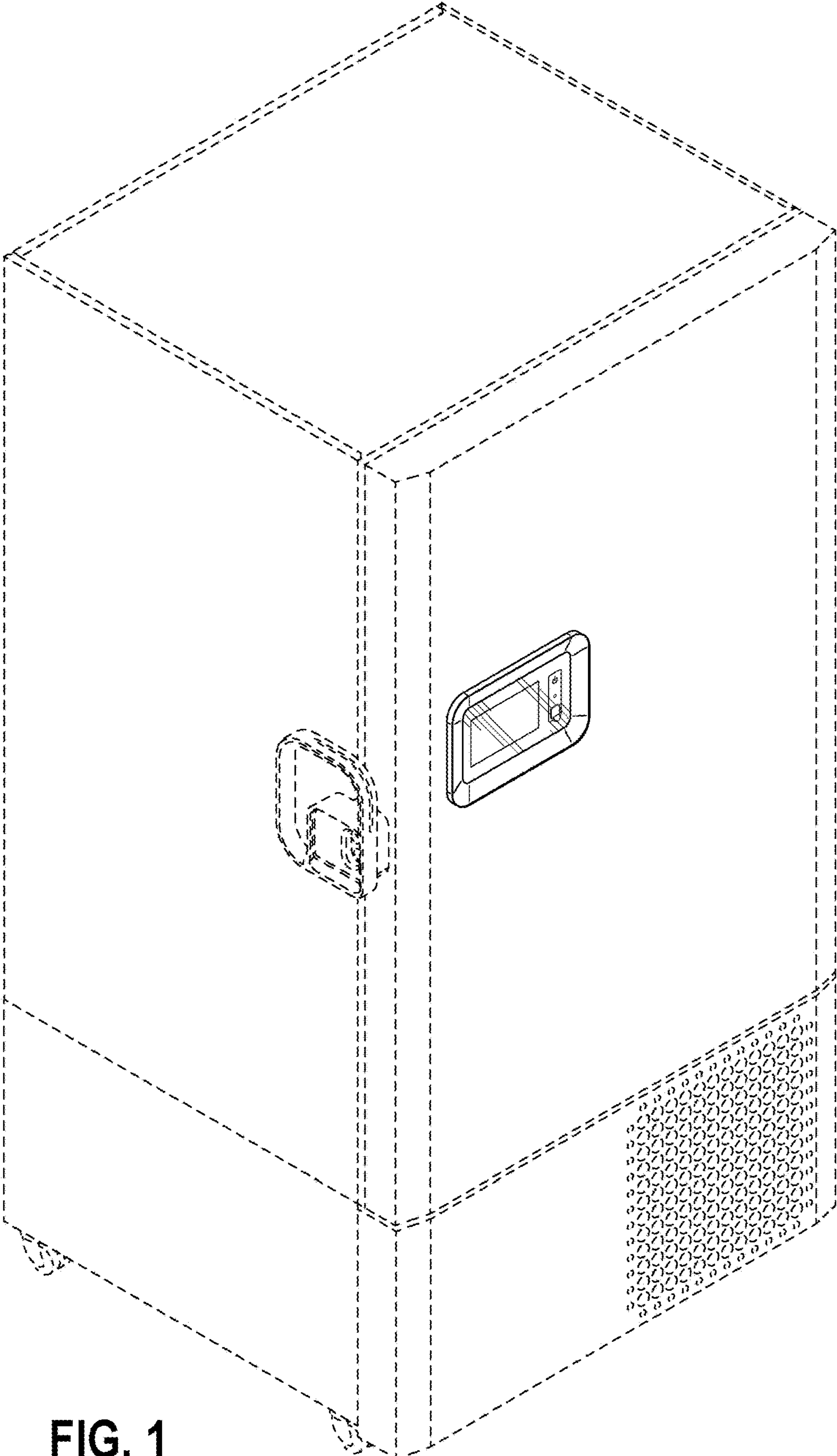


FIG. 1

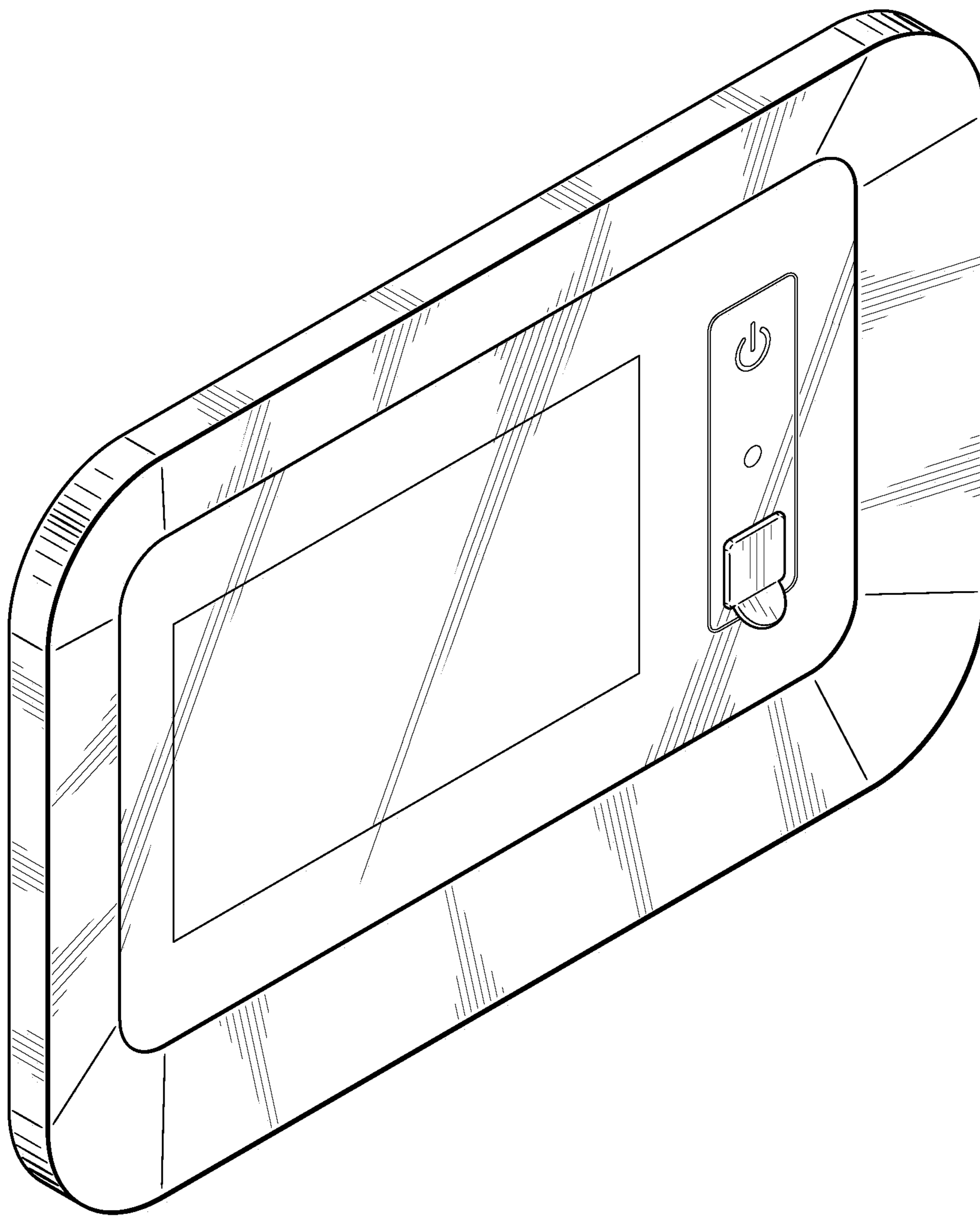


FIG. 2

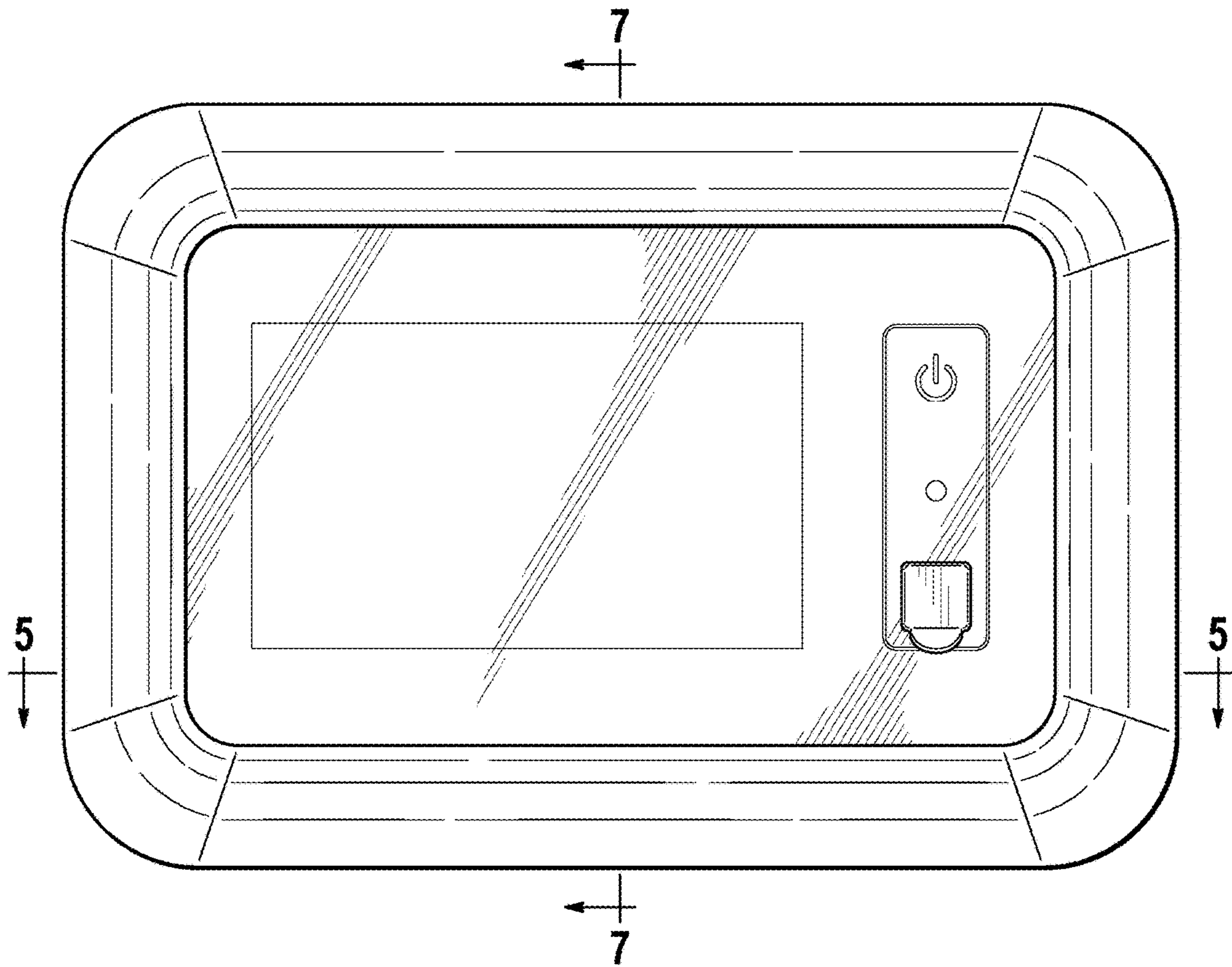


FIG. 3



FIG. 4

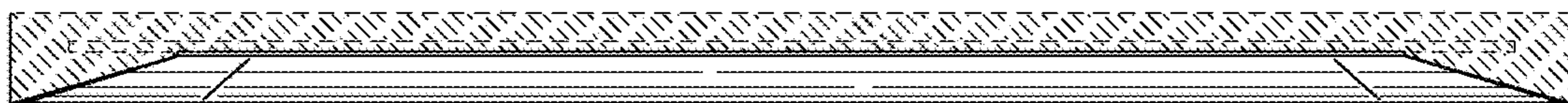


FIG. 5

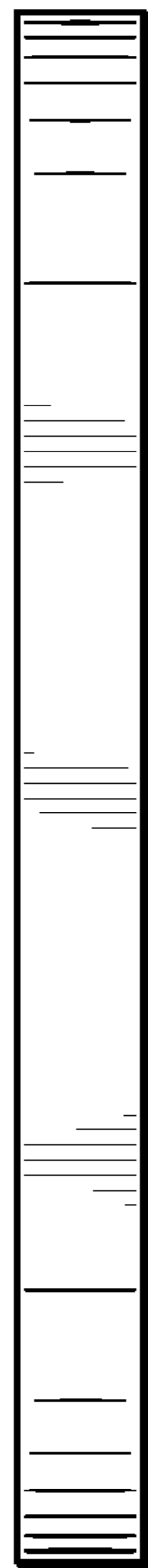


FIG. 6

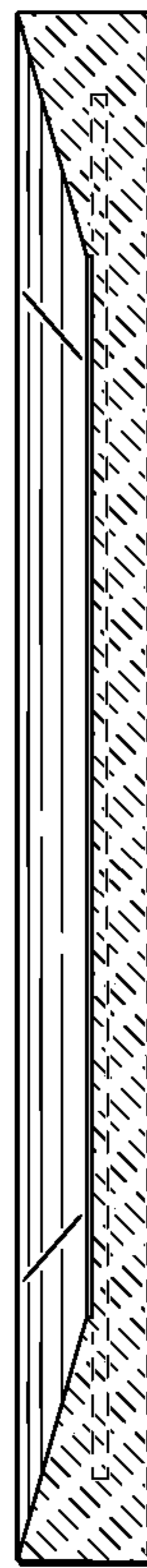


FIG. 7