



US00D876492S

(12) **United States Design Patent** (10) **Patent No.:** **US D876,492 S**  
**Egan** (45) **Date of Patent:** **\*\* Feb. 25, 2020**

(54) **REFRIGERATOR FOR A VEHICLE**  
(71) Applicant: **Jaguar Land Rover Limited**, Whitley, Coventry (GB)  
(72) Inventor: **Robert Egan**, Coventry (GB)  
(73) Assignee: **Jaguar Land Rover Limited**, Whitley, Coventry (GB)

(\*\*) Term: **15 Years**

(21) Appl. No.: **29/637,306**

(22) Filed: **Feb. 15, 2018**

(30) **Foreign Application Priority Data**

Nov. 21, 2017 (GB) ..... 1719313.7  
Feb. 13, 2018 (EM) ..... 004707131

(51) **LOC (12) Cl.** ..... **15-07**

(52) **U.S. Cl.**  
USPC ..... **D15/81**

(58) **Field of Classification Search**  
USPC ..... D15/79-91  
CPC ..... F25D 17/065; F25D 23/04; F25D 23/02; F25D 23/126; F25D 2400/06; F25D 2317/061; F25D 23/028; F25D 25/025; F25D 2317/0666; F25D 29/00; F25D 11/02; F25D 11/022; F25D 2317/062; F25D 2317/067; F25D 2323/021; F25D 2400/40; F25D 2317/04131; F25D 2317/043; F25D 2317/0651; F25D 2317/0664; F25D 2317/0681; F25D 2317/0683; F25D 2323/00264; F25D 2323/121; F25D 2323/122; F25D 2325/022; F25D 23/00; F25D 23/021; F25D 23/064; F25D 23/067; F25D 2323/024; F25D 23/065; F25D 11/00; F25D 2201/14; F25D 23/025; F25D 27/00; F25D 23/062; F25D 2400/18

See application file for complete search history.

(56) **References Cited**

U.S. PATENT DOCUMENTS

4,823,554 A \* 4/1989 Trachtenberg ..... A47J 36/26  
62/239  
D306,341 S \* 2/1990 Bales ..... D23/325  
D351,824 S \* 10/1994 Bednar ..... D12/423  
D359,266 S \* 6/1995 Karp ..... D12/419  
D451,107 S \* 11/2001 Tsuji ..... D15/79  
D536,581 S \* 2/2007 Yuen ..... D7/605

\* cited by examiner

*Primary Examiner* — Khawaja Anwar

(74) *Attorney, Agent, or Firm* — Wood Herron & Evans LLP

(57) **CLAIM**

The ornamental design for a refrigerator for a vehicle, as shown and described.

**DESCRIPTION**

FIG. 1 is a front right perspective view of a refrigerator for a vehicle according to the present invention, in a closed condition.

FIG. 2 is a front left perspective view of the refrigerator shown in FIG. 1.

FIG. 3 is a rear left perspective view thereof.

FIG. 4 is a front view thereof.

FIG. 5 is a rear view thereof.

FIG. 6 is a left side view thereof.

FIG. 7 is a right side view thereof.

FIG. 8 is a front left perspective view of the refrigerator shown in FIGS. 1-7, but with the refrigerator shown within the broken line, and the de-emphasized and half-tone portions located outside the broken line included to show environmental structure. These portions form no part of the claimed invention; and,

FIG. 9 is a front left perspective view, similar to FIG. 2, but with the refrigerator in an open condition.

The broken lines shown adjacent to any shaded portions form an unclaimed boundary of the design.

**1 Claim, 9 Drawing Sheets**

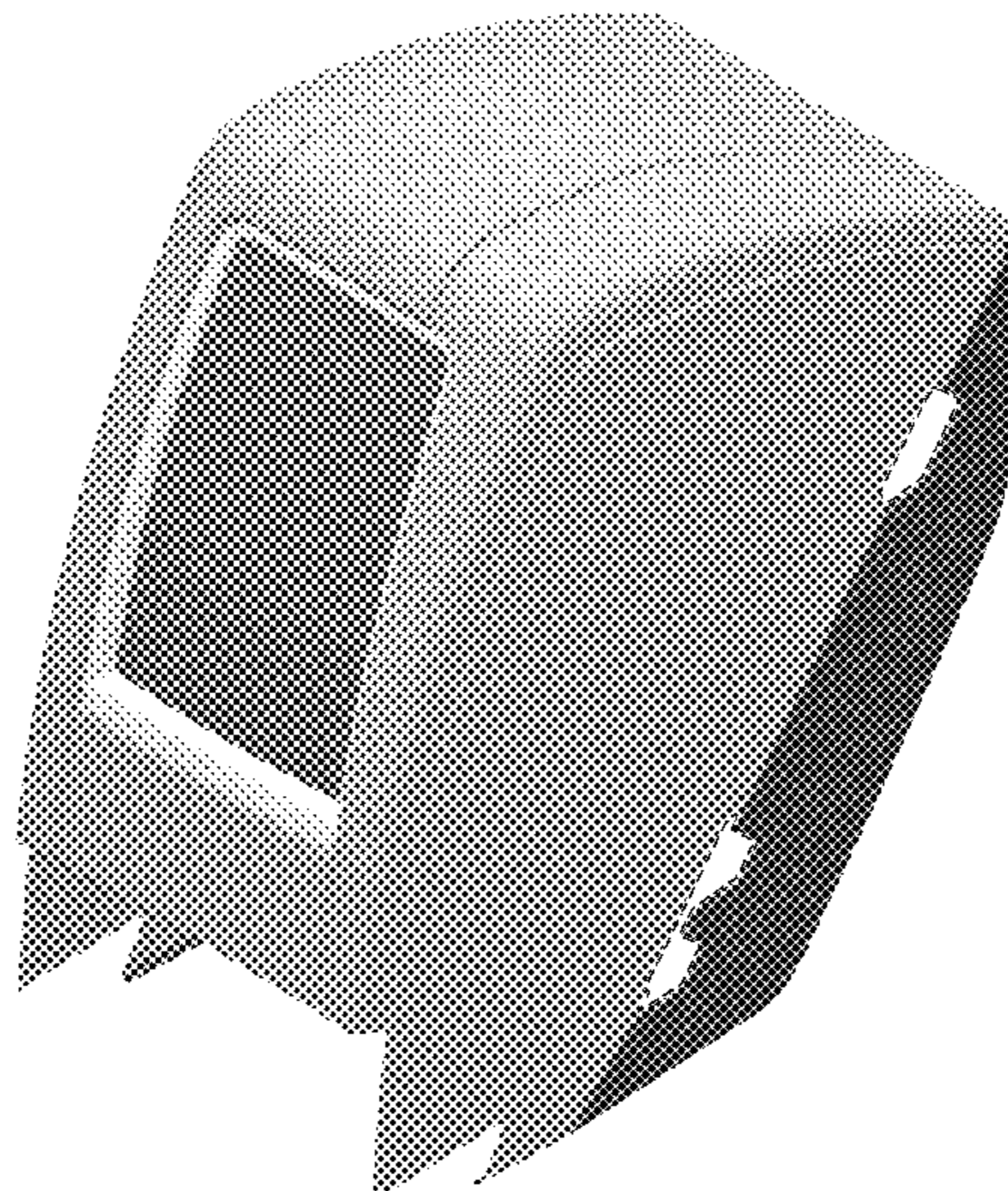




FIG. 1



FIG. 2

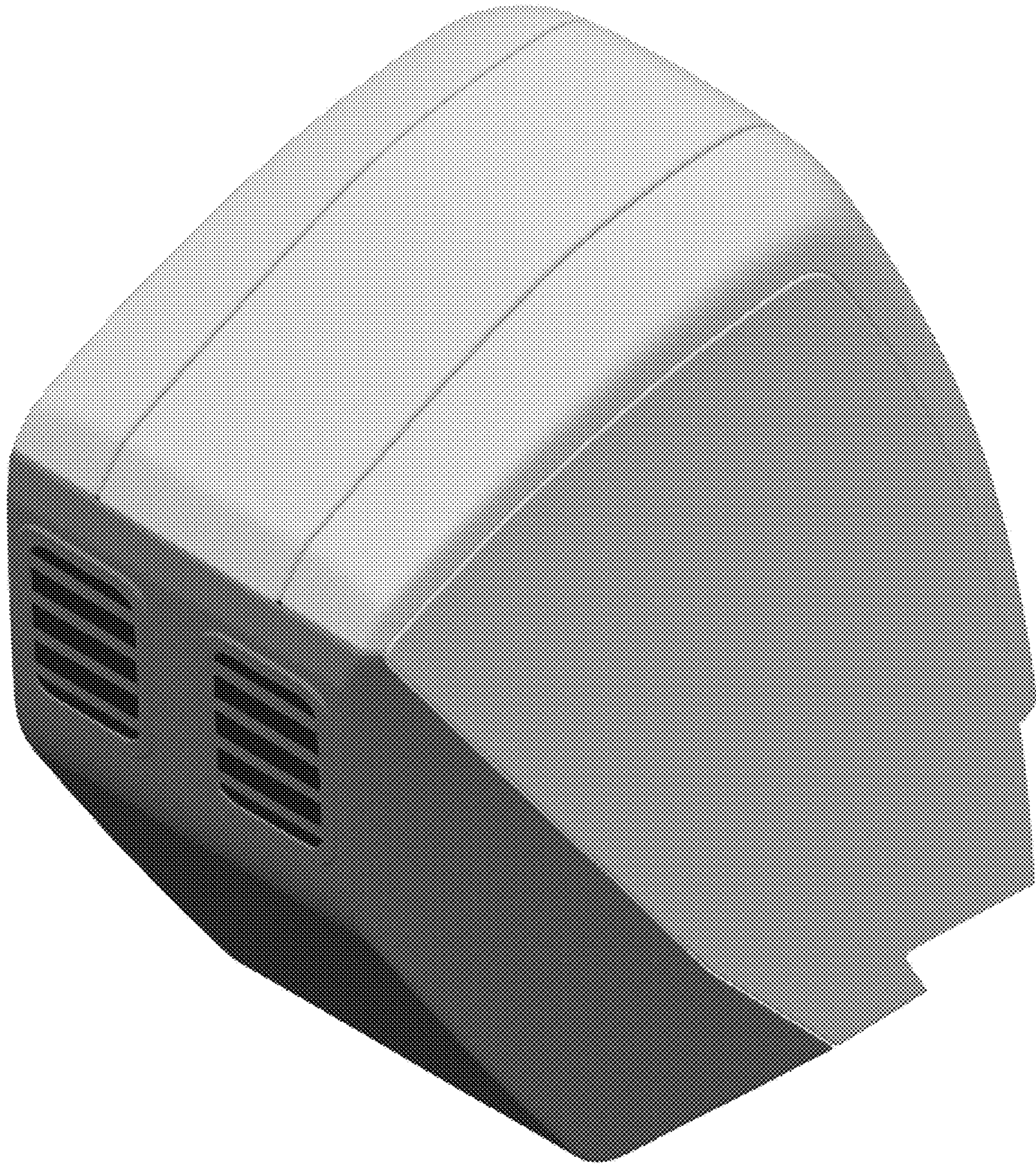


FIG. 3



FIG. 4

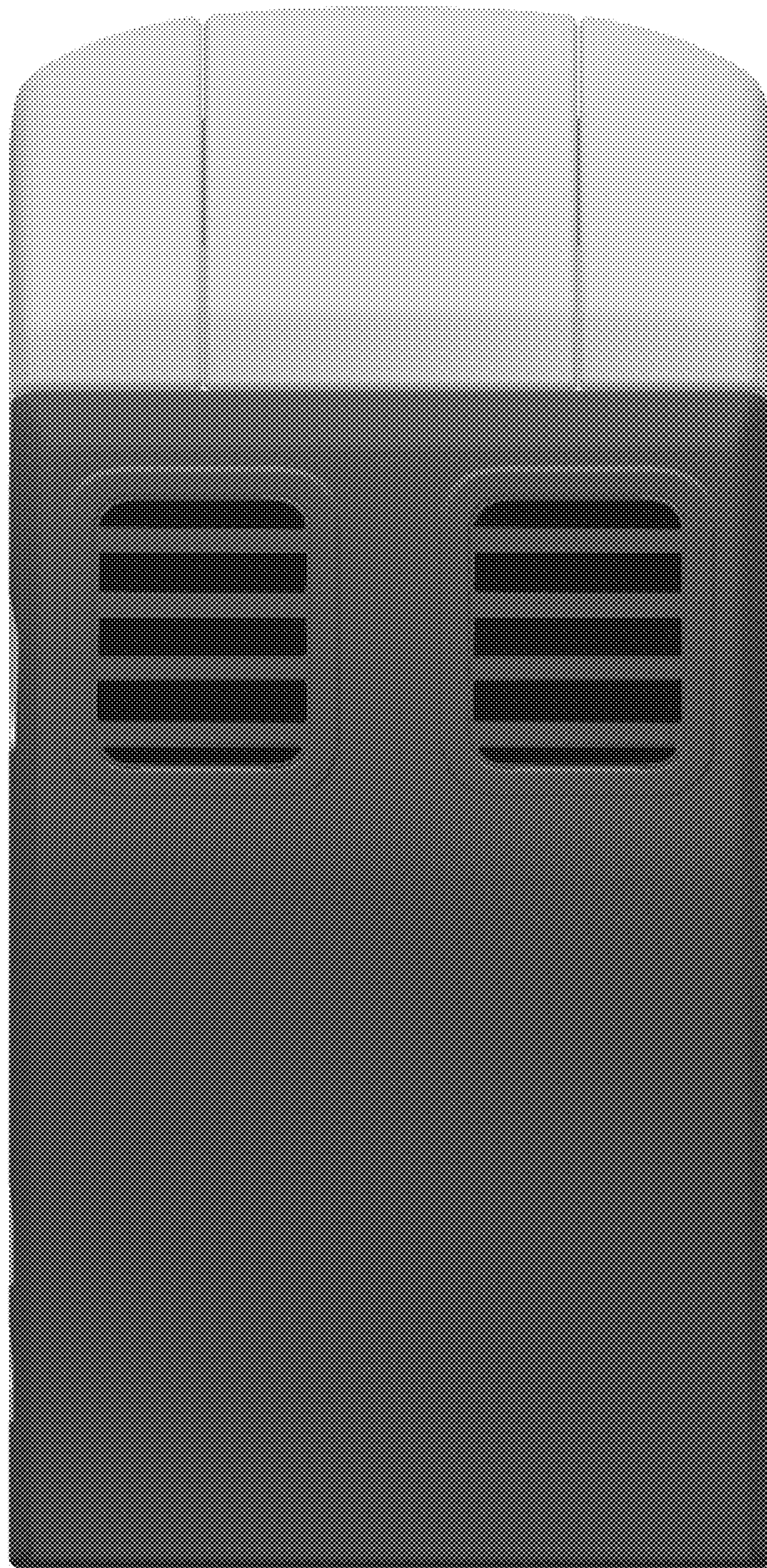


FIG. 5

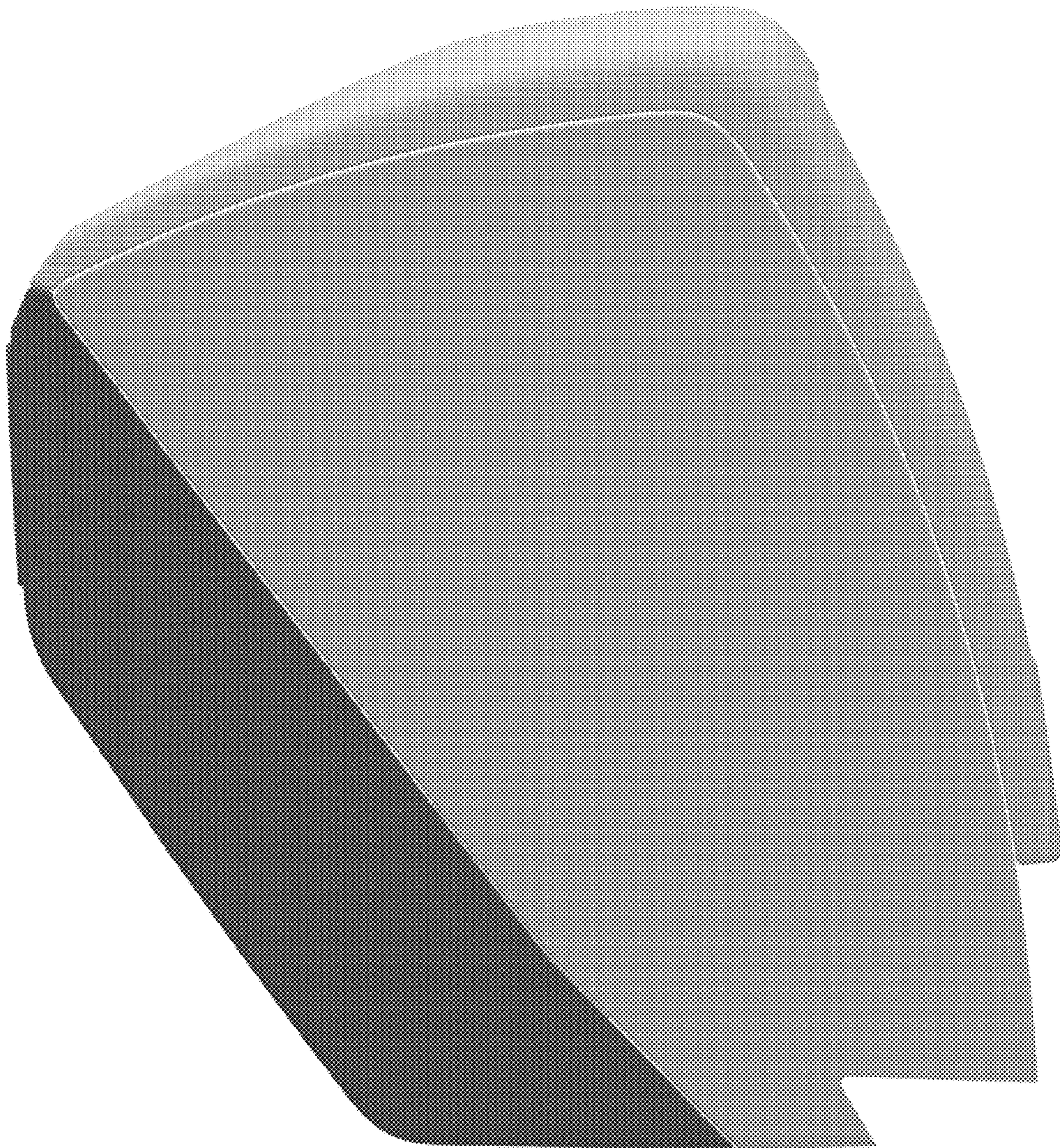


FIG. 6

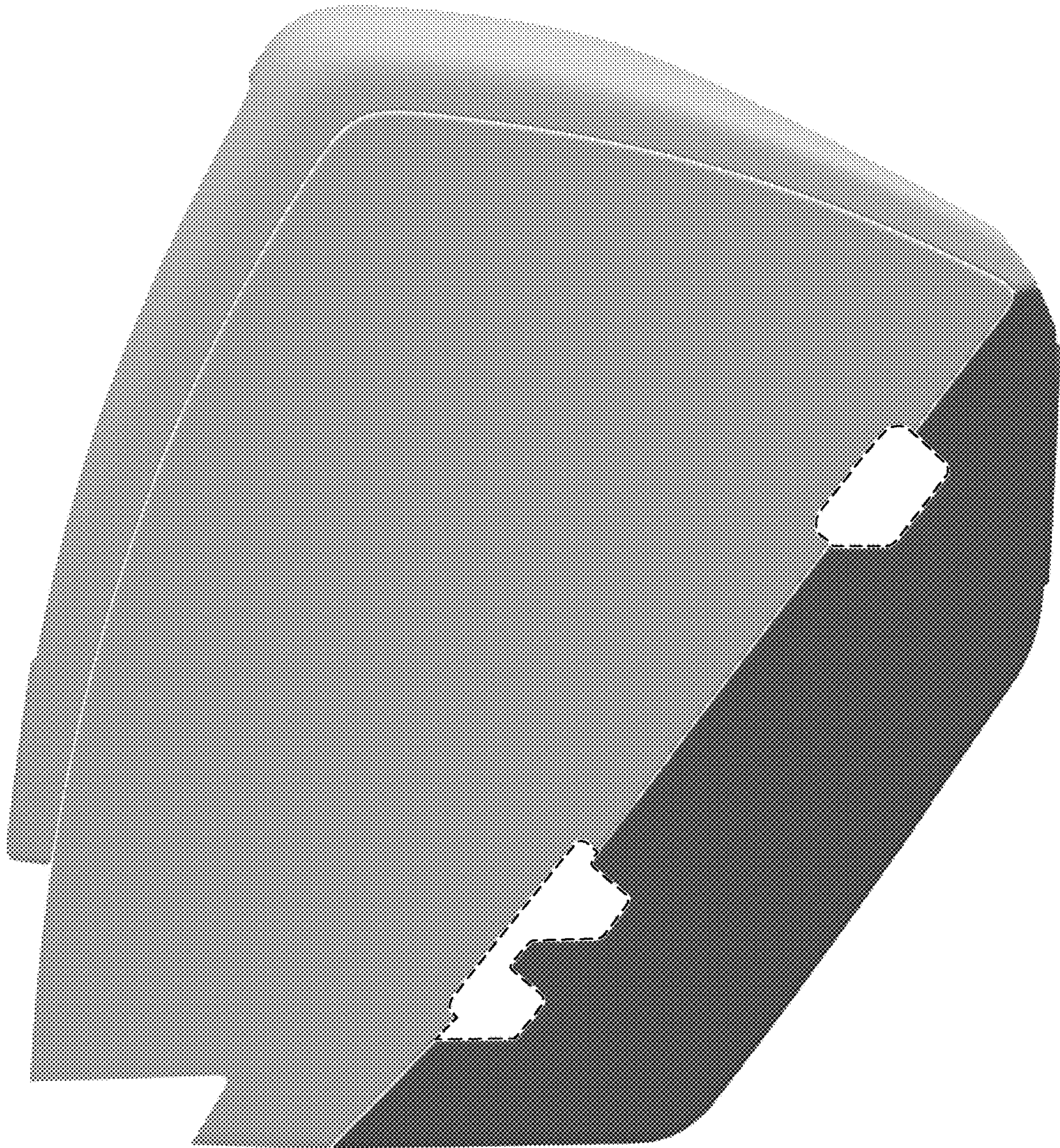


FIG. 7



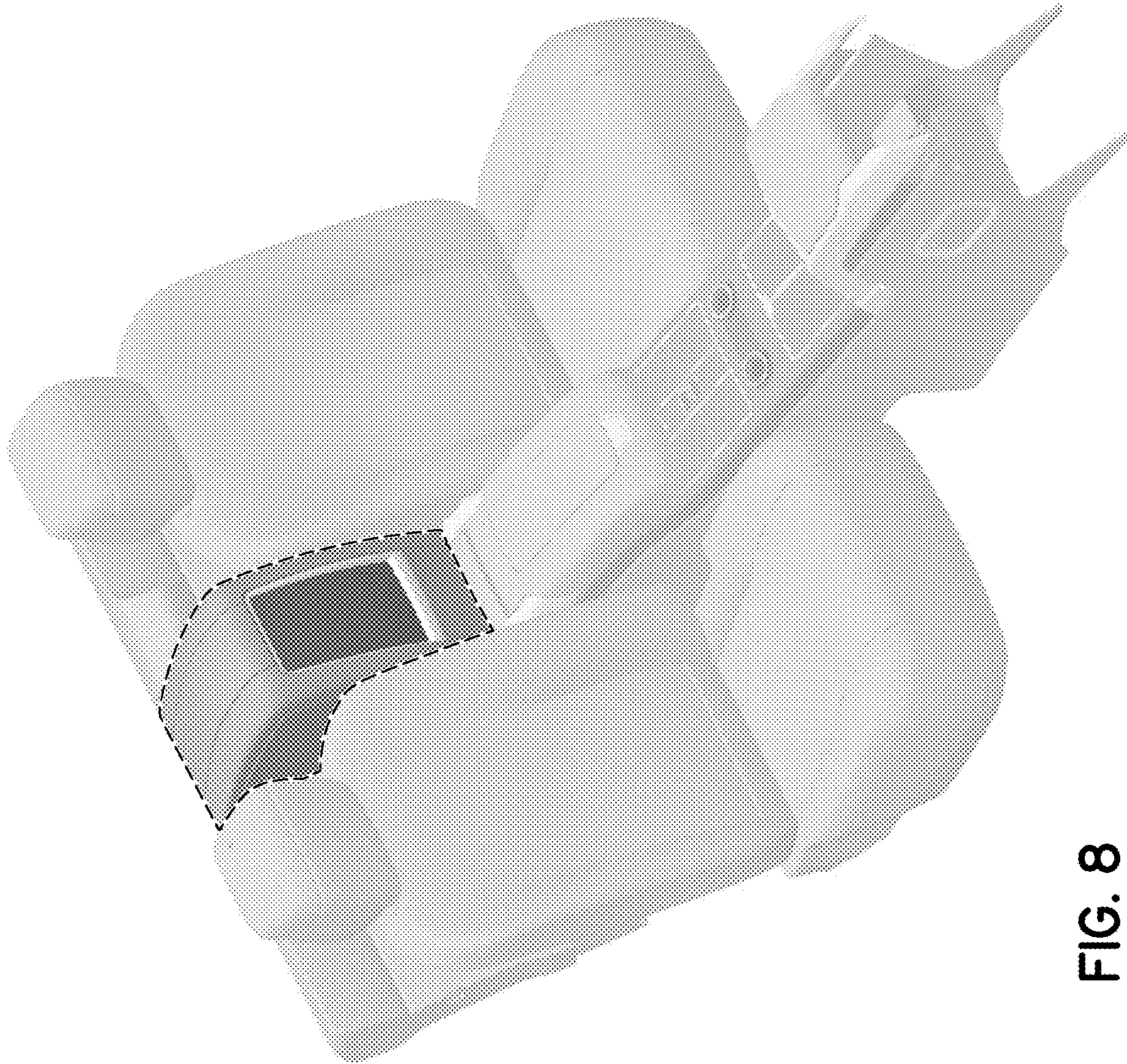


FIG. 8



FIG. 9