



US00D876488S

(12) **United States Design Patent**
Conroy et al.

(10) **Patent No.:** **US D876,488 S**

(45) **Date of Patent:** **** Feb. 25, 2020**

- (54) **SPREADER BAR**
- (71) Applicant: **2MT Mining Products Pty Ltd,**
Pagent, QLD (AU)
- (72) Inventors: **David Garnet John Conroy,** Shoal
Point (AU); **Michael John Swinscoe,**
Slade Point (AU); **Gayan Perera,**
Kellyville (AU)
- (73) Assignee: **2MT Mining Products Pty Ltd,** Pagent
QLD (AU)
- (**) Term: **15 Years**
- (21) Appl. No.: **29/575,790**
- (22) Filed: **Aug. 29, 2016**

(30) **Foreign Application Priority Data**

- Feb. 29, 2016 (AU) 201611098
- Feb. 29, 2016 (AU) 201611099
- Feb. 29, 2016 (AU) 201611100

(51) **LOC (12) Cl.** **15-03**

(52) **U.S. Cl.**
USPC **D15/21**

(58) **Field of Classification Search**

- USPC D15/28, 21; 294/81.1
 - CPC E02F 3/58; E02F 3/60; B66C 1/12; B66C
1/22; B66C 1/122; B66C 1/66; B66C
1/10; F16B 2200/50; F16B 21/12
- See application file for complete search history.

(56) **References Cited**

U.S. PATENT DOCUMENTS

- 1,077,562 A * 11/1913 Sage B61D 7/26
105/288
- 2,092,556 A * 9/1937 Page E02F 3/60
37/399

- 2,096,773 A * 10/1937 Weimer E02F 3/48
37/396
- 2,904,907 A * 9/1959 Larsen E02F 3/60
37/399
- 3,247,606 A * 4/1966 Page E02F 3/58
37/398
- 3,531,088 A * 9/1970 Kraschnewski E02F 3/48
254/292
- 4,397,493 A * 8/1983 Khachaturian B66C 1/12
294/81.1
- 4,842,314 A * 6/1989 Bellow B66C 1/62
294/74
- 5,343,641 A * 9/1994 Gregory E02F 3/60
37/396
- 5,345,702 A * 9/1994 Hughes E02F 3/60
37/394
- 5,657,559 A * 8/1997 Immel E02F 3/58
294/68.27

(Continued)

Primary Examiner — Mark A Goodwin

(74) *Attorney, Agent, or Firm* — Abelman, Frayne &
Schwab

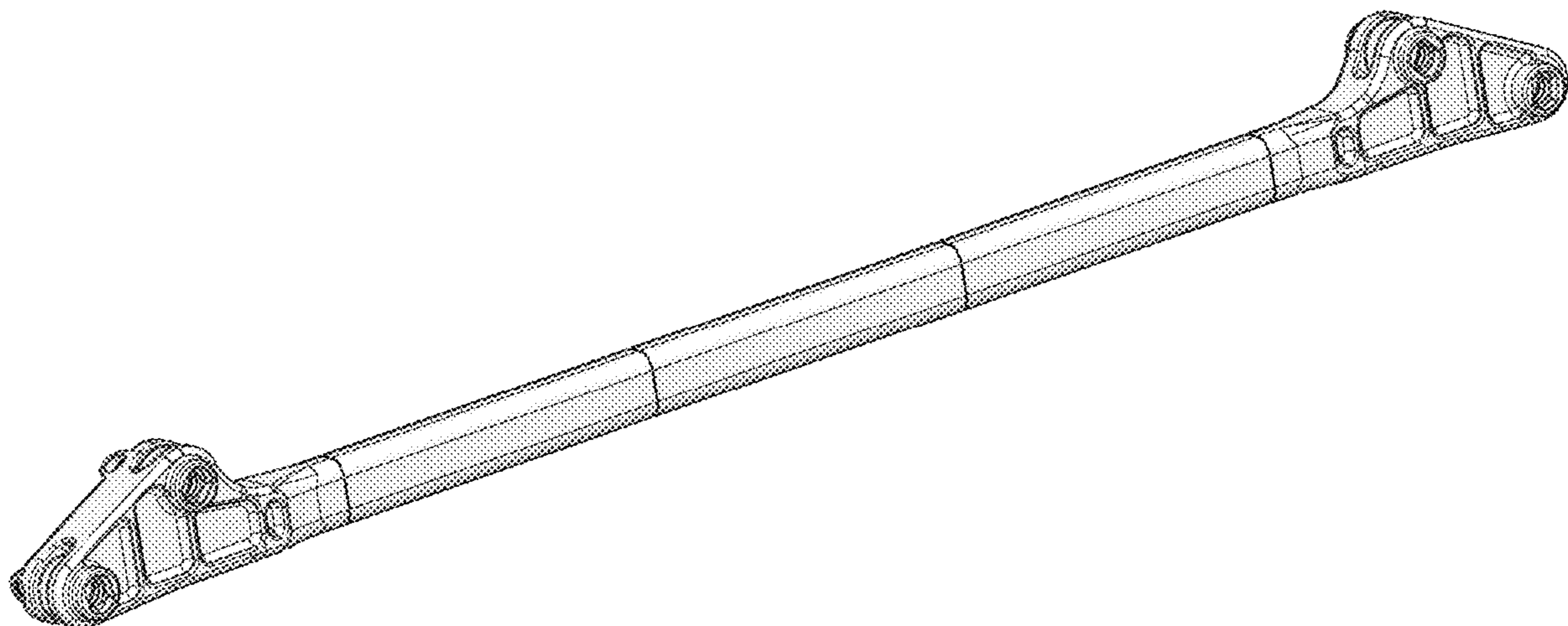
(57) **CLAIM**

The ornamental design for a spreader bar, as shown and
described.

DESCRIPTION

FIG. 1 is a top, front, left side perspective view of a spreader bar showing our new design;
 FIG. 2 is a top, front, right side perspective view of the spreader bar thereof;
 FIG. 3 is a top plan view thereof;
 FIG. 4 is a front elevation view thereof;
 FIG. 5 is a right side elevation view thereof;
 FIG. 6 is a bottom plan view thereof;
 FIG. 7 is a rear elevation view thereof; and,
 FIG. 8 is a right side elevation view thereof.
 Broken lines indicate curved or contoured portions thereof.

1 Claim, 4 Drawing Sheets



(56)

References Cited

U.S. PATENT DOCUMENTS

5,863,085	A *	1/1999	Khachaturian	B66C 1/12 294/81.1	8,382,175	B2 *	2/2013	DiMartino	B66C 1/22 294/81.1
6,079,760	A *	6/2000	Khachaturian	B66C 1/12 294/74	9,132,993	B1 *	9/2015	DiMartino	B66C 1/12
6,209,234	B1 *	4/2001	Meyers	E02F 3/58 37/398	9,371,213	B1 *	6/2016	Bernat	B66C 1/12
6,296,288	B1 *	10/2001	Khachaturian	B66C 1/12 294/74	9,469,509	B1 *	10/2016	Myers	B66C 1/10
6,412,649	B1 *	7/2002	Khachaturian	B66C 1/12 212/242	10,053,338	B1 *	8/2018	Khachaturian	B66C 1/122
6,581,995	B1 *	6/2003	Zaayman	B66C 1/12 294/68.3	2004/0060203	A1 *	4/2004	Briscoe	E02F 3/58 37/307
7,278,670	B2 *	10/2007	Galletta	B66C 1/12 294/74	2009/0058117	A1 *	3/2009	Di Martino	B66C 1/22 294/81.5
7,419,198	B2 *	9/2008	Baker	B66C 1/18 294/74	2009/0072561	A1 *	3/2009	Latham	B66C 1/10 294/81.2
7,967,352	B2 *	6/2011	Di Martino	B66C 1/22 294/81.1	2009/0183397	A1 *	7/2009	Kubo	E02F 3/60 37/399
8,251,309	B2 *	8/2012	Sammito	B64D 27/26 244/54	2011/0110708	A1 *	5/2011	Miotke	E02F 3/58 403/64
						2012/0291318	A1 *	11/2012	Attwood	B66C 3/125 37/399
						2013/0152431	A1 *	6/2013	Buhse	E02F 3/58 37/399
						2015/0218775	A1 *	8/2015	Attwood	E02F 9/006 37/399
						2017/0241102	A1 *	8/2017	Conroy	E02F 3/58

* cited by examiner

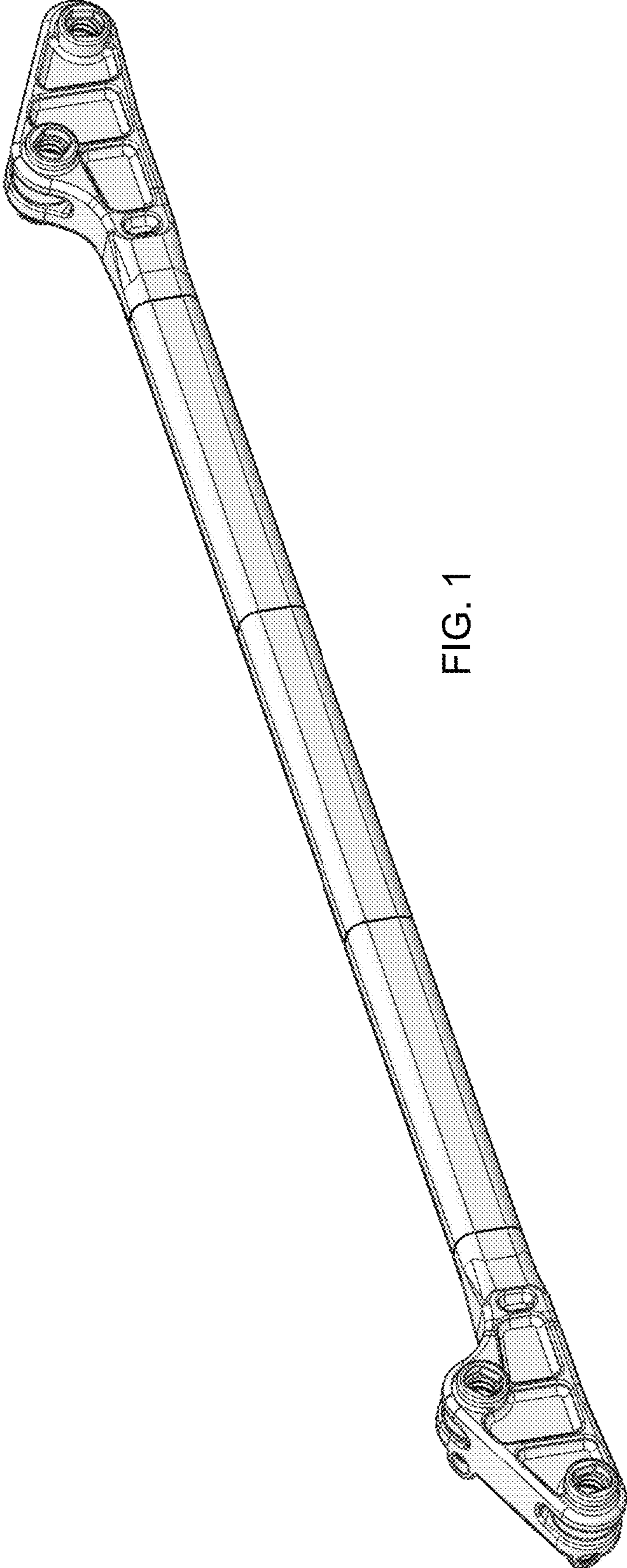


FIG. 1

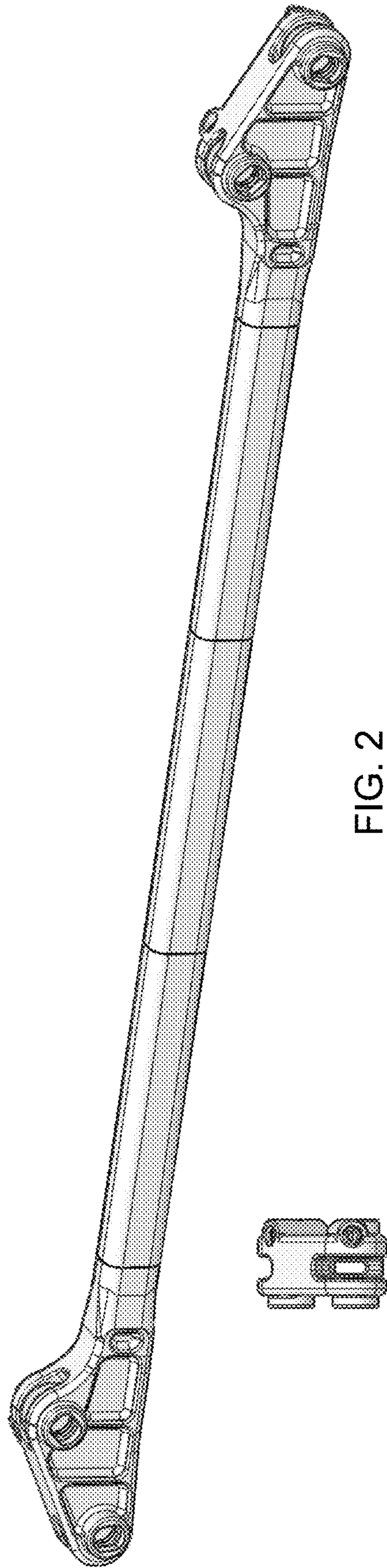


FIG. 2

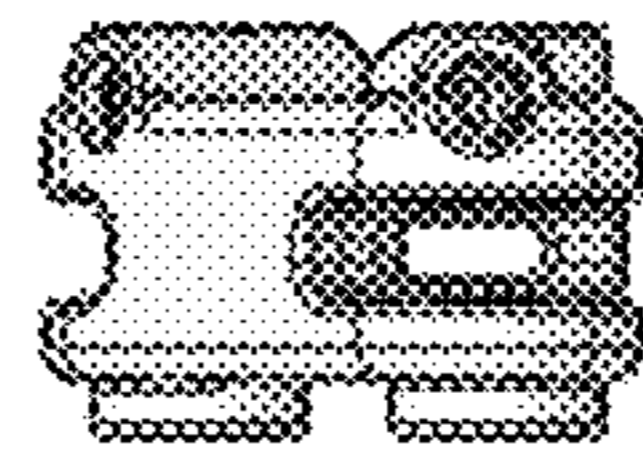


FIG. 5

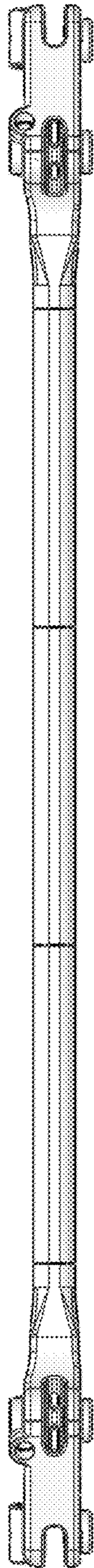


FIG. 3

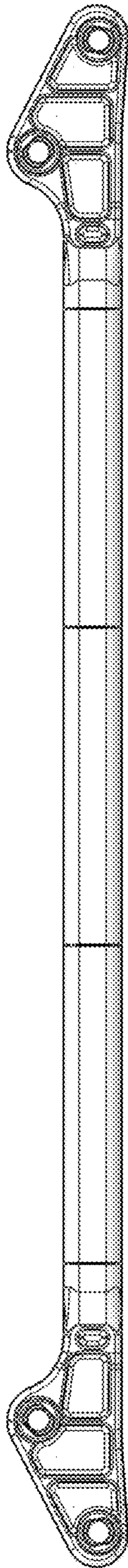


FIG. 4

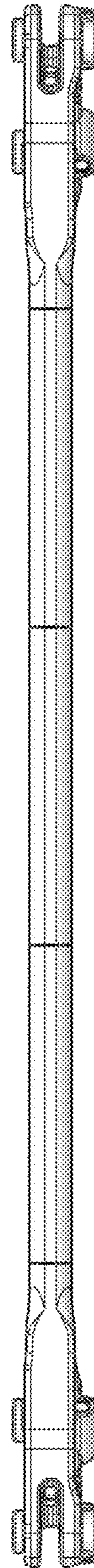


FIG. 6

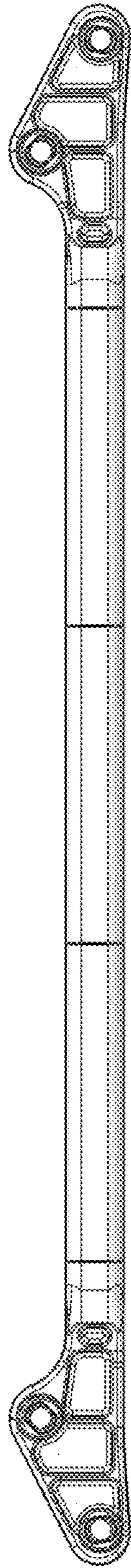


FIG. 7

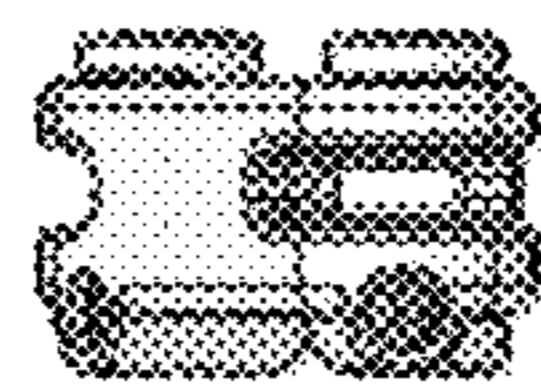


FIG. 8