

US00D876487S

(12) **United States Design Patent** (10) **Patent No.:** **US D876,487 S**  
**Kim et al.** (45) **Date of Patent:** **\*\* Feb. 25, 2020**

(54) **ROBOT LAWN MOWER**

(56) **References Cited**

(71) Applicant: **LG ELECTRONICS INC.**, Seoul (KR)

U.S. PATENT DOCUMENTS

(72) Inventors: **Jaeyoung Kim**, Seoul (KR);  
**Myungwhoon Lee**, Seoul (KR)

D346,809	S	*	5/1994	Burgos	.....	D15/14
D451,931	S	*	12/2001	Abramson	.....	D15/14
D504,901	S	*	5/2005	Wickstrom	.....	D15/14
D559,867	S	*	1/2008	Abramson	.....	D15/14
D573,610	S	*	7/2008	Abramson	.....	D15/14
D652,431	S	*	1/2012	Naslund	.....	D15/14
D656,163	S	*	3/2012	Johansson	.....	D15/14
8,390,251	B2	*	3/2013	Cohen	.....	A47L 9/2857 320/109
D679,294	S	*	4/2013	Tajik	.....	D15/14
D679,295	S	*	4/2013	Tajik	.....	D15/14
D681,065	S	*	4/2013	Maeda	.....	D15/14
8,634,960	B2	*	1/2014	Sandin	.....	G05D 1/0225 700/258

(73) Assignee: **LG ELECTRONICS INC.**, Seoul (KR)

(\*\*) Term: **15 Years**

(21) Appl. No.: **35/506,249**

(22) Filed: **Jun. 19, 2018**

(80) **Hague Agreement Data**

Int. Filing Date: **Jun. 19, 2018**  
Int. Reg. No.: **DM/102002**  
Int. Reg. Date: **Jun. 19, 2018**  
Int. Reg. Pub. Date: **Dec. 21, 2018**

(30) **Foreign Application Priority Data**

Jan. 11, 2018 (KR) ..... 30-2018-0001795

(51) **LOC (12) Cl.** ..... **15-03**

(52) **U.S. Cl.**  
USPC ..... **D15/14; D15/17; D15/199**  
CPC ..... **A01D 34/008** (2013.01)

(58) **Field of Classification Search**  
USPC ..... D15/14-18, 199; 56/17.5, 13.4, 12.8,  
56/16.7, 202, 255, 294, 295, 320.1, 320.2;  
180/900, 89.1, 89.12  
CPC .... A01D 34/008; A01D 34/81; A01D 34/416;  
A01D 34/4166; A01D 34/4167; A01D  
34/87; A01D 34/90; B60L 1/003; B60L  
3/0061; B60L 11/1803; B60L 11/1805;  
B60L 11/1877; B60L 15/20; B60L  
2260/28; B60L 2200/40; B60L 2220/16;  
B60L 2220/46; B60L 2240/36; B60L  
2240/421; A01G 3/04; A01G 3/0435

See application file for complete search history.

(Continued)

*Primary Examiner* — Richard E Chilcot  
(74) *Attorney, Agent, or Firm* — Birch, Stewart, Kolasch  
& Birch, LLP

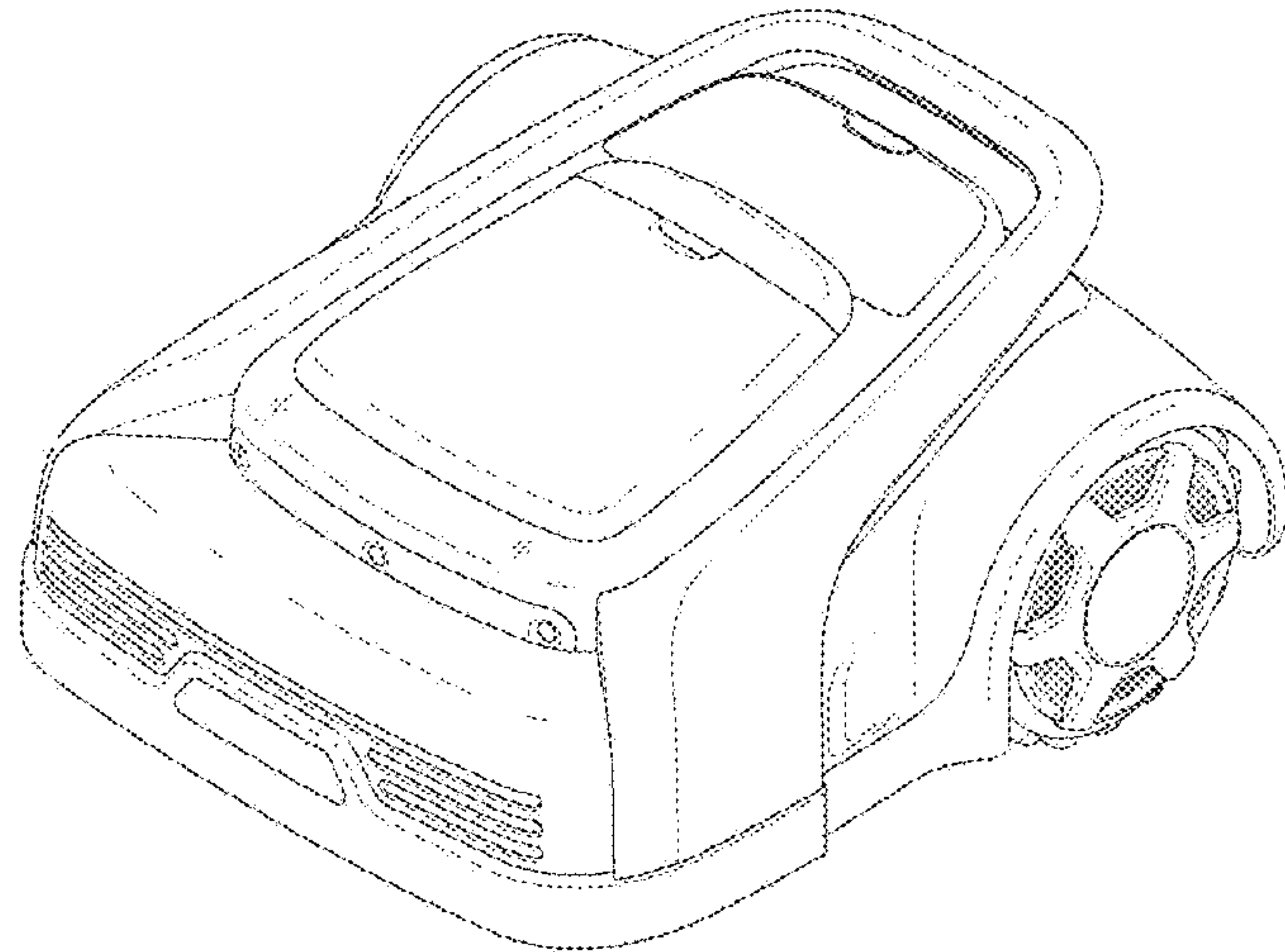
(57) **CLAIM**

The ornamental design for a robot lawn mower, as shown and described.

**DESCRIPTION**

1. Robot lawn mower  
1.1 : Perspective  
1.2 : Front  
1.3 : Back  
1.4 : Left  
1.5 : Top  
1.6 : Bottom  
1.7 : Perspective view 2  
Reproduction 1.1 is a front perspective view of the robot lawn mower; reproduction 1.2 is a front view thereof; reproduction 1.3 is a back view thereof; reproduction 1.4 is a left view thereof where the right view is a mirror image; reproduction 1.5 is a top view thereof; reproduction 1.6 is a bottom view thereof; reproduction 1.7 is a back perspective view thereof.

**1 Claim, 7 Drawing Sheets**



(56)

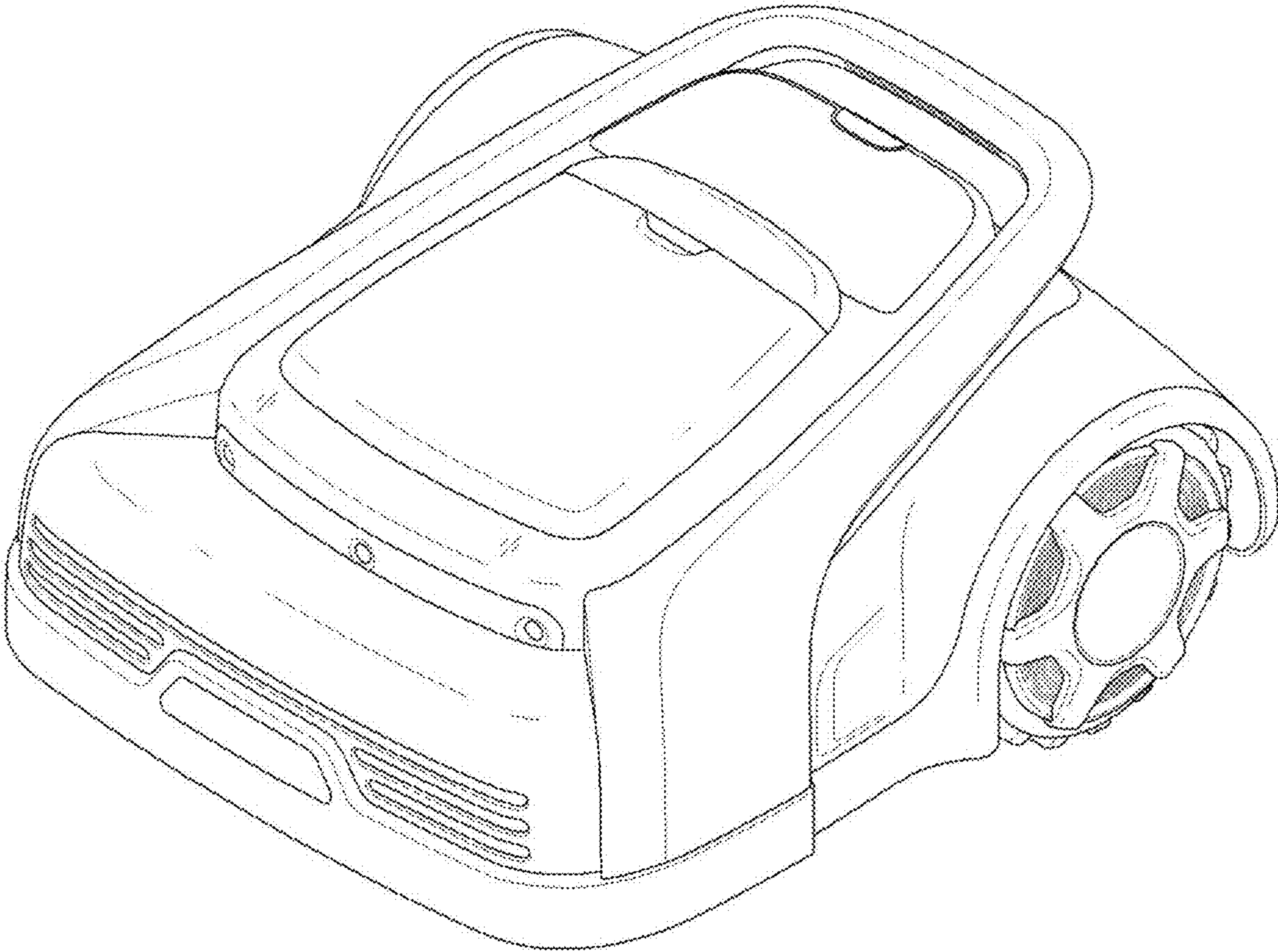
**References Cited**

U.S. PATENT DOCUMENTS

D718,339 S \* 11/2014 Damshak ..... D15/14  
D718,340 S \* 11/2014 Damshak ..... D15/14  
D718,341 S \* 11/2014 Gur ..... D15/14  
D718,793 S \* 12/2014 Gur ..... D15/14  
D729,280 S \* 5/2015 Naslund ..... D15/14  
D780,811 S \* 3/2017 Lin ..... D15/14  
D805,111 S \* 12/2017 Fujiwara ..... D15/14  
D830,418 S \* 10/2018 Naslund ..... D15/14  
D842,343 S \* 3/2019 Roh ..... D15/14  
D842,906 S \* 3/2019 Roh ..... D15/14  
D842,907 S \* 3/2019 Roh ..... D15/14  
2010/0324731 A1 \* 12/2010 Letsky ..... A01D 34/008  
700/245  
2016/0100521 A1 \* 4/2016 Halloran ..... A01D 34/008  
180/169  
2018/0064024 A1 \* 3/2018 Choi ..... A01D 34/008  
2018/0184583 A1 \* 7/2018 Morin ..... A01D 34/008

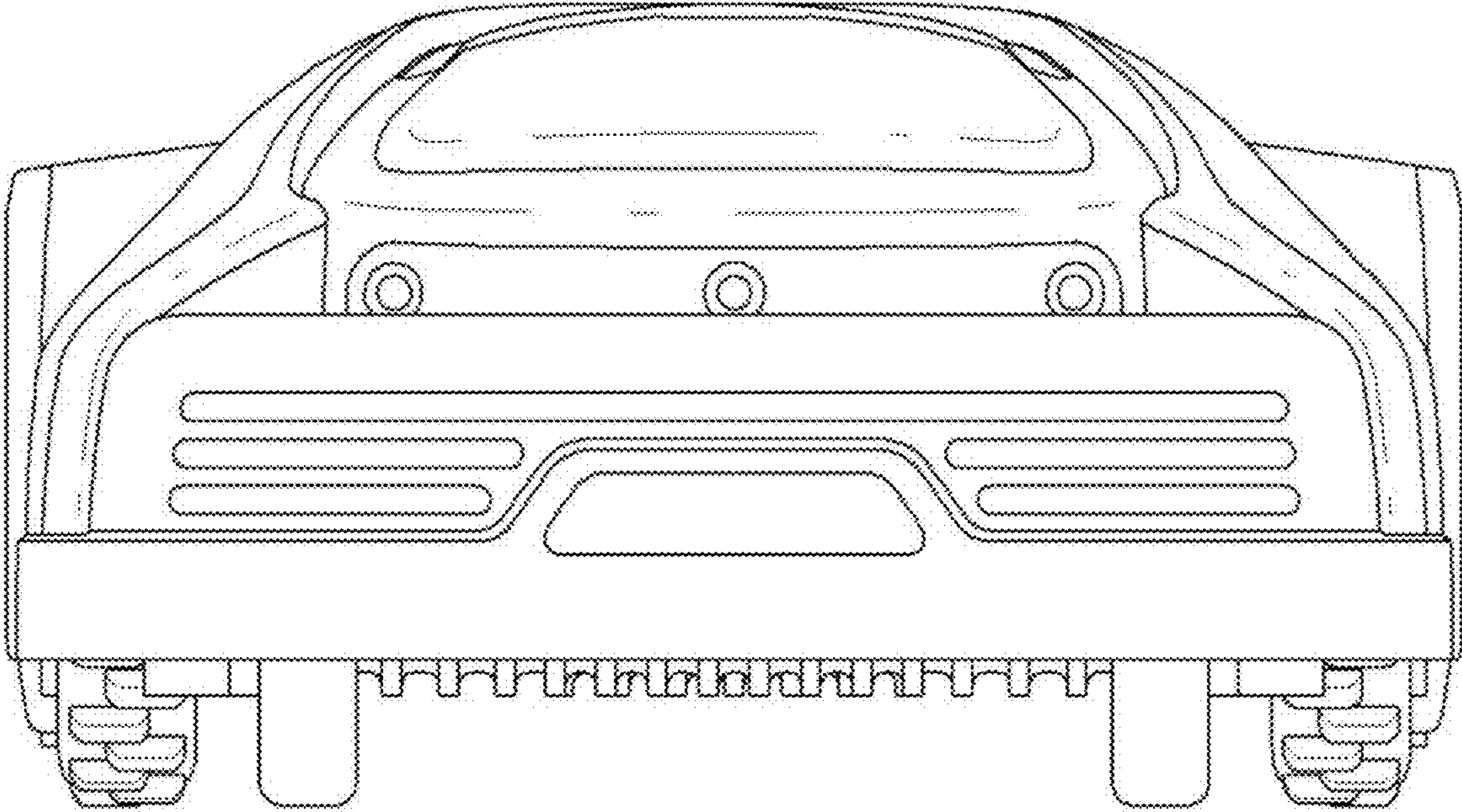
\* cited by examiner

1.1

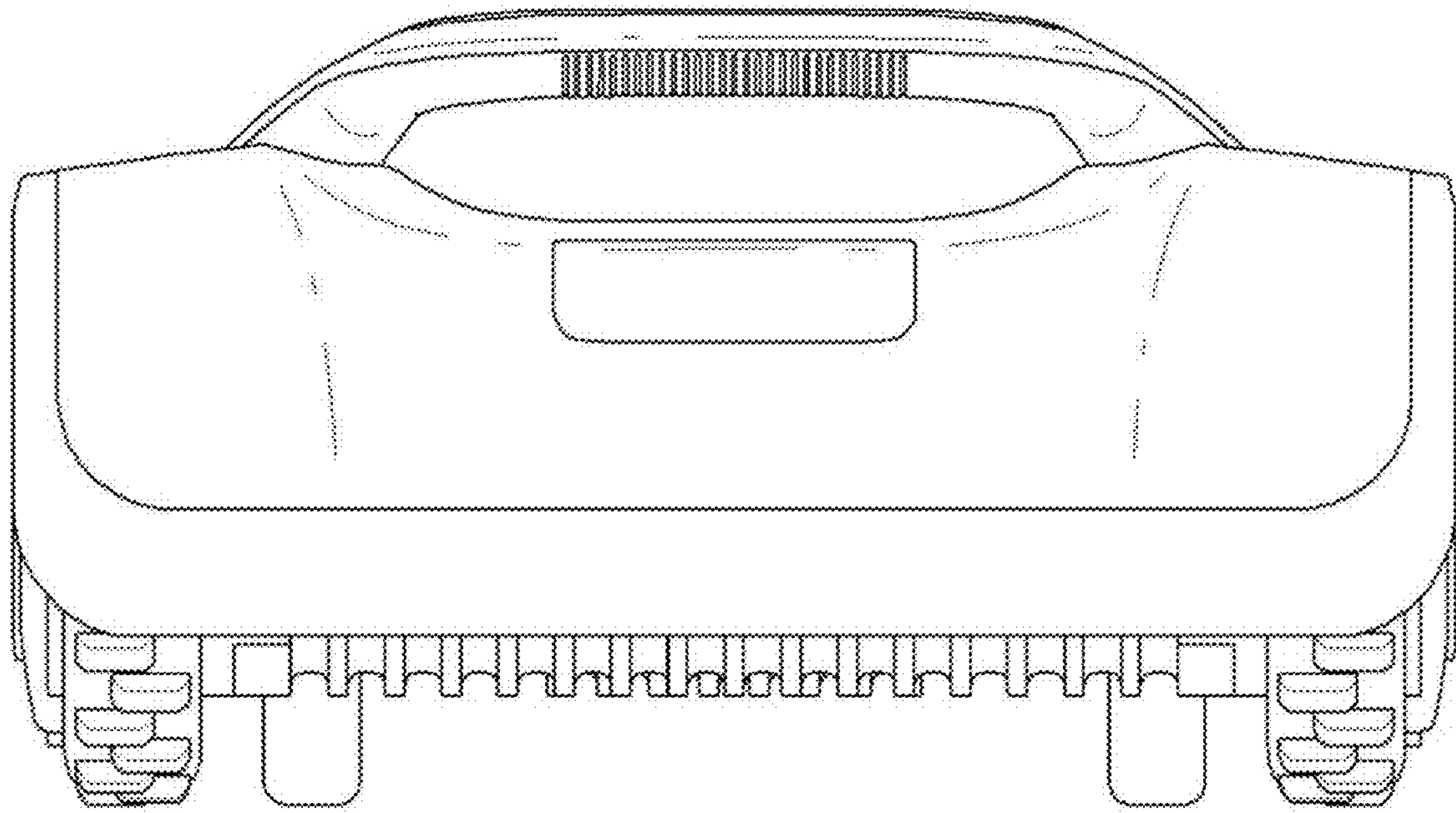




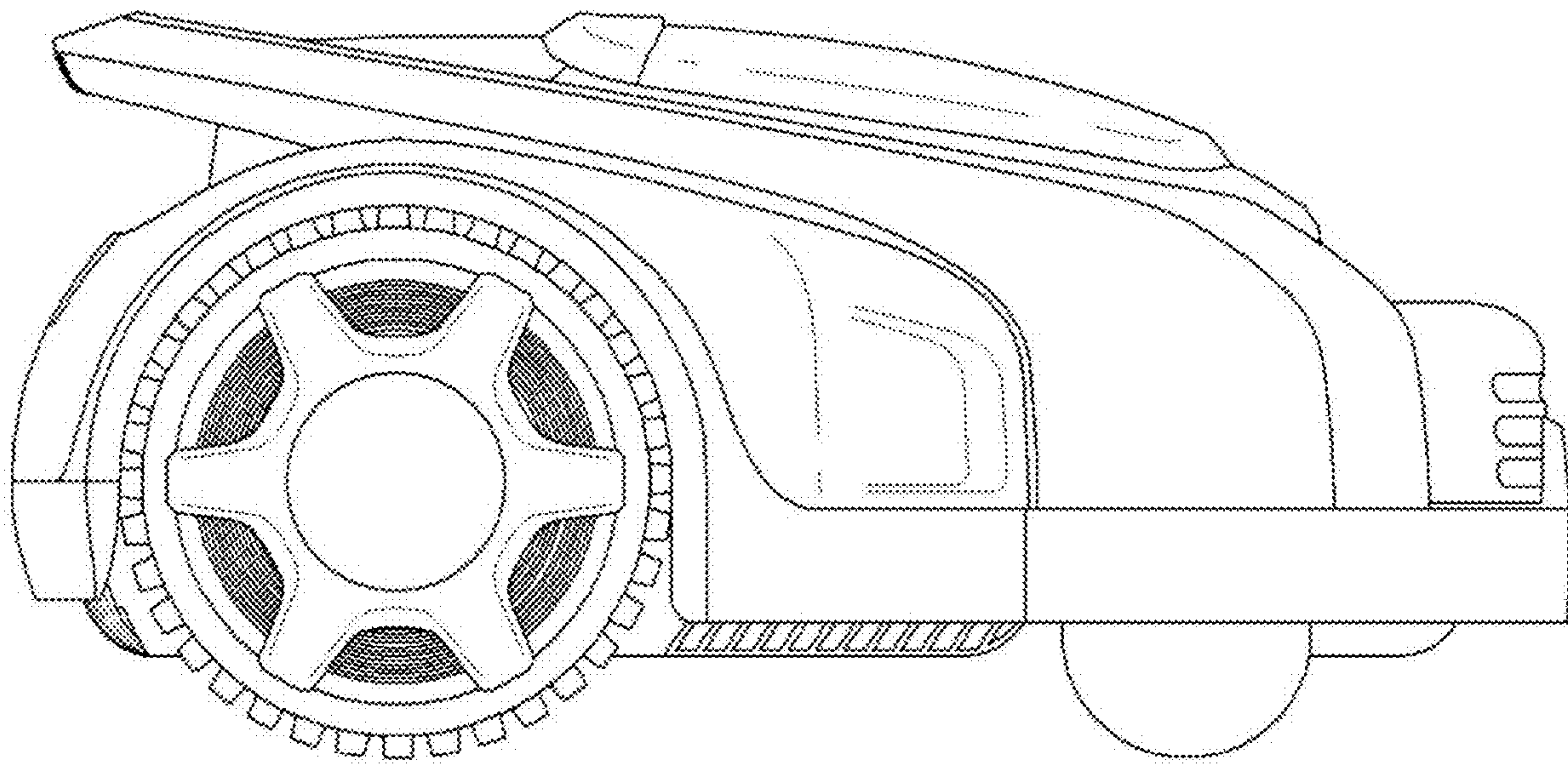
1.2



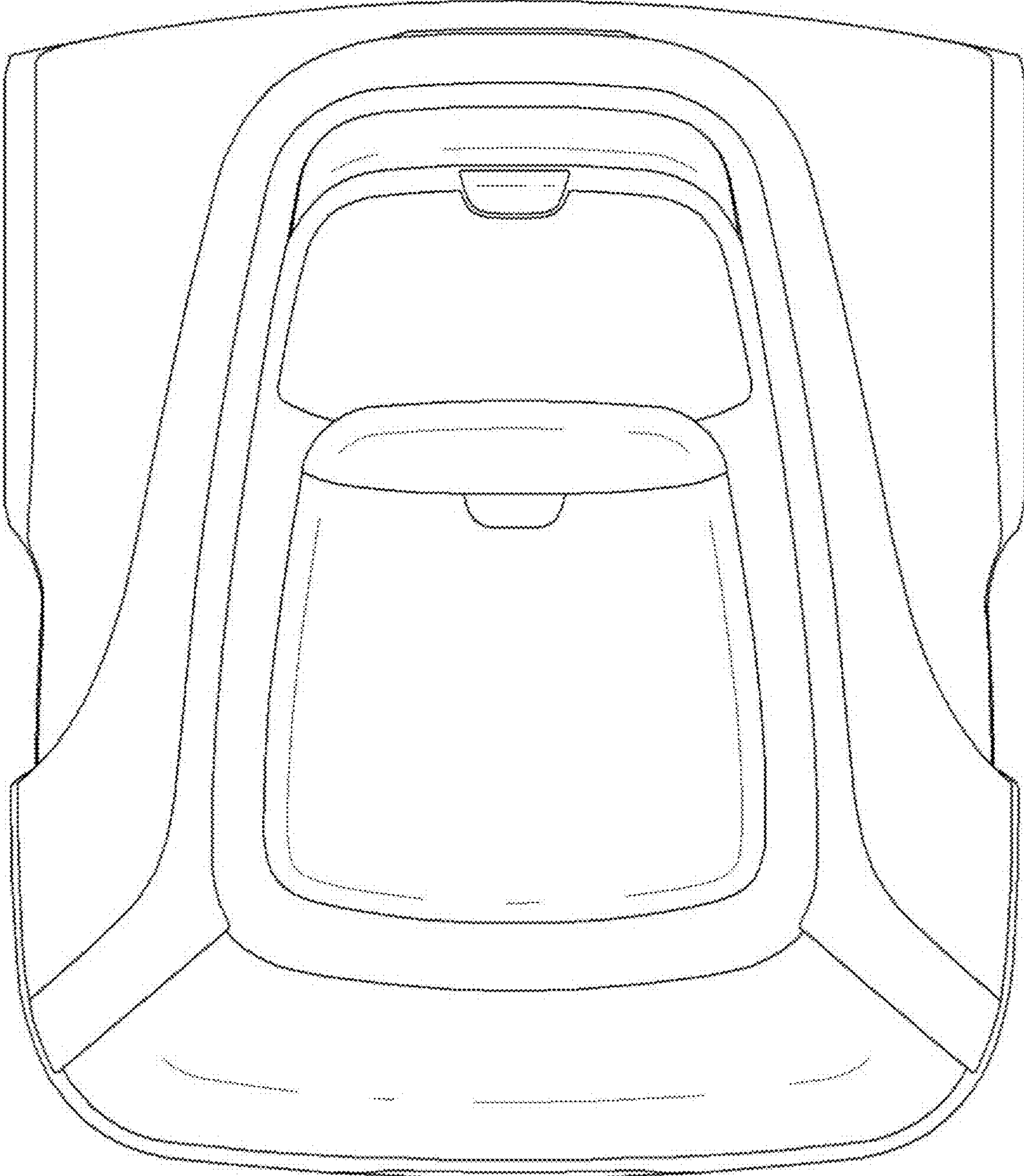
1.3



1.4

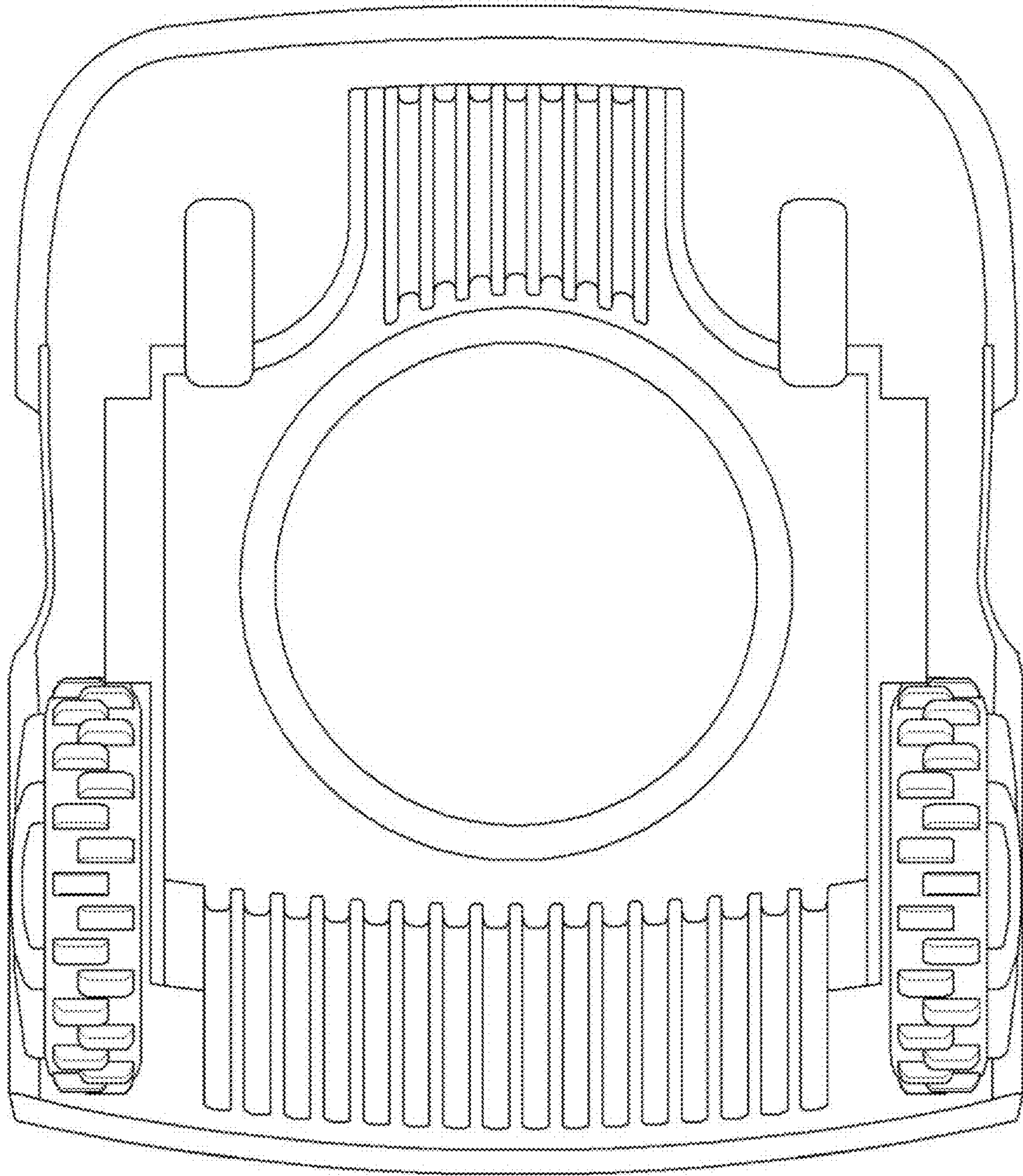


1.5





1.6





1.7

