



US00D876485S

(12) **United States Design Patent** (10) **Patent No.:** **US D876,485 S**
Pauly et al. (45) **Date of Patent:** **** Feb. 25, 2020**

(54) **COMPRESSOR**

(71) Applicant: **Graco Minnesota Inc.**, Minneapolis, MN (US)

(72) Inventors: **Thomas E. Pauly**, Zimmerman, MN (US); **Pamela J. Muetzel**, Maple Lake, MN (US); **David M. Larsen**, Albertville, MN (US); **Robert W. Kinne**, Columbia Heights, MN (US)

(73) Assignee: **Graco Minnesota Inc.**, Minneapolis, MN (US)

(**) Term: **15 Years**

(21) Appl. No.: **29/642,787**

(22) Filed: **Apr. 2, 2018**

(51) **LOC (12) Cl.** **15-02**

(52) **U.S. Cl.**
USPC **D15/9**

(58) **Field of Classification Search**
USPC D15/7-9; D23/231, 232
CPC F04B 41/00-41/06; F04B 31/00; F04B 35/00; F04B 53/92; F04B 1/005; F02M 37/04; F02M 37/14

See application file for complete search history.

(56) **References Cited**

U.S. PATENT DOCUMENTS

D77,851 S *	2/1929	Michelin	D15/9
D185,000 S *	4/1959	Hoover	D15/9
D423,518 S *	4/2000	Milligan	D15/9
D446,792 S *	8/2001	Matthew	D15/9
D498,244 S *	11/2004	Chen	D15/7
D500,052 S *	12/2004	Lucchi	D15/9
6,935,642 B1 *	8/2005	Craig	B08B 3/026 280/47.24
D511,782 S *	11/2005	Hosking	D15/9
D519,126 S *	4/2006	Leasure	D15/9
D529,670 S *	10/2006	Hendy	D32/15

D531,191 S *	10/2006	Smith	D15/9
D531,644 S *	11/2006	Smith	D15/9
D534,550 S *	1/2007	Beecham	D15/9
D535,309 S *	1/2007	Breecham	D15/9
D537,840 S *	3/2007	Smith	D15/9
D537,841 S *	3/2007	Smith	D15/9
D546,840 S *	7/2007	Sinders	D15/9
D550,719 S *	9/2007	Berchiolla	D15/9
D562,851 S *	2/2008	Leasure	D15/9
D576,512 S *	9/2008	Leasure	D15/7
D589,065 S *	3/2009	Leasure	D15/9
7,604,246 B2 *	10/2009	Sodemann	B08B 3/026 280/47.131

(Continued)

OTHER PUBLICATIONS

Graco Inc. Electric Sprayers brochure published Jan. 2017, specifically pp. 22 through 24.

(Continued)

Primary Examiner — Mitchell I. Siegel

(57) **CLAIM**

The ornamental design for a compressor, as shown and described.

DESCRIPTION

FIG. 1 is a front isometric view of a compressor showing our new design;

FIG. 2 is a front view;

FIG. 3 is a back view;

FIG. 4 is a top view;

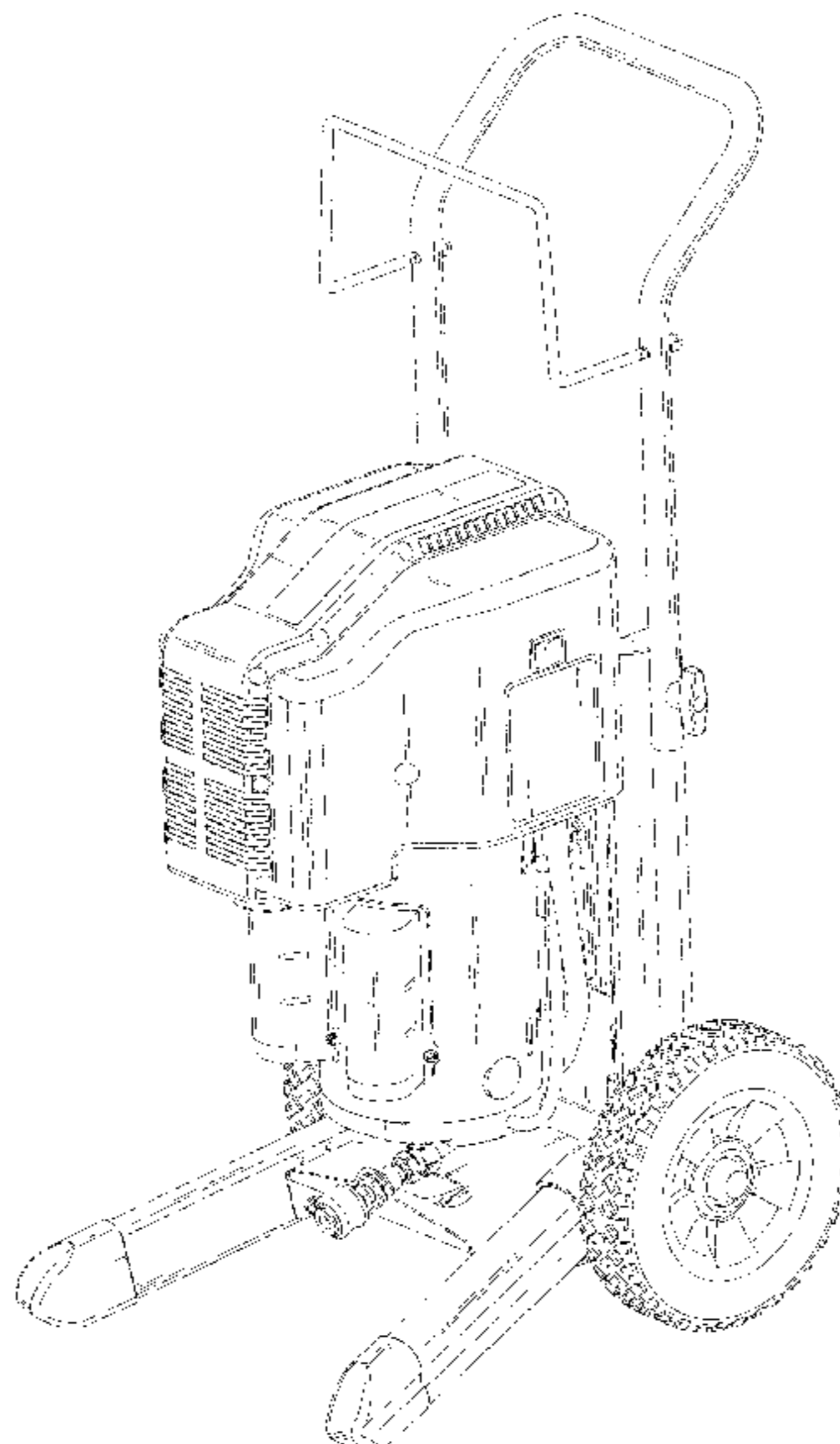
FIG. 5 is a bottom view;

FIG. 6 is a left side view; and,

FIG. 7 is a right side view.

The broken lines shown on the drawing views are included for the purpose of illustrating unclaimed subject matter and forms no part of the claimed design.

1 Claim, 7 Drawing Sheets



(56)

References Cited

U.S. PATENT DOCUMENTS

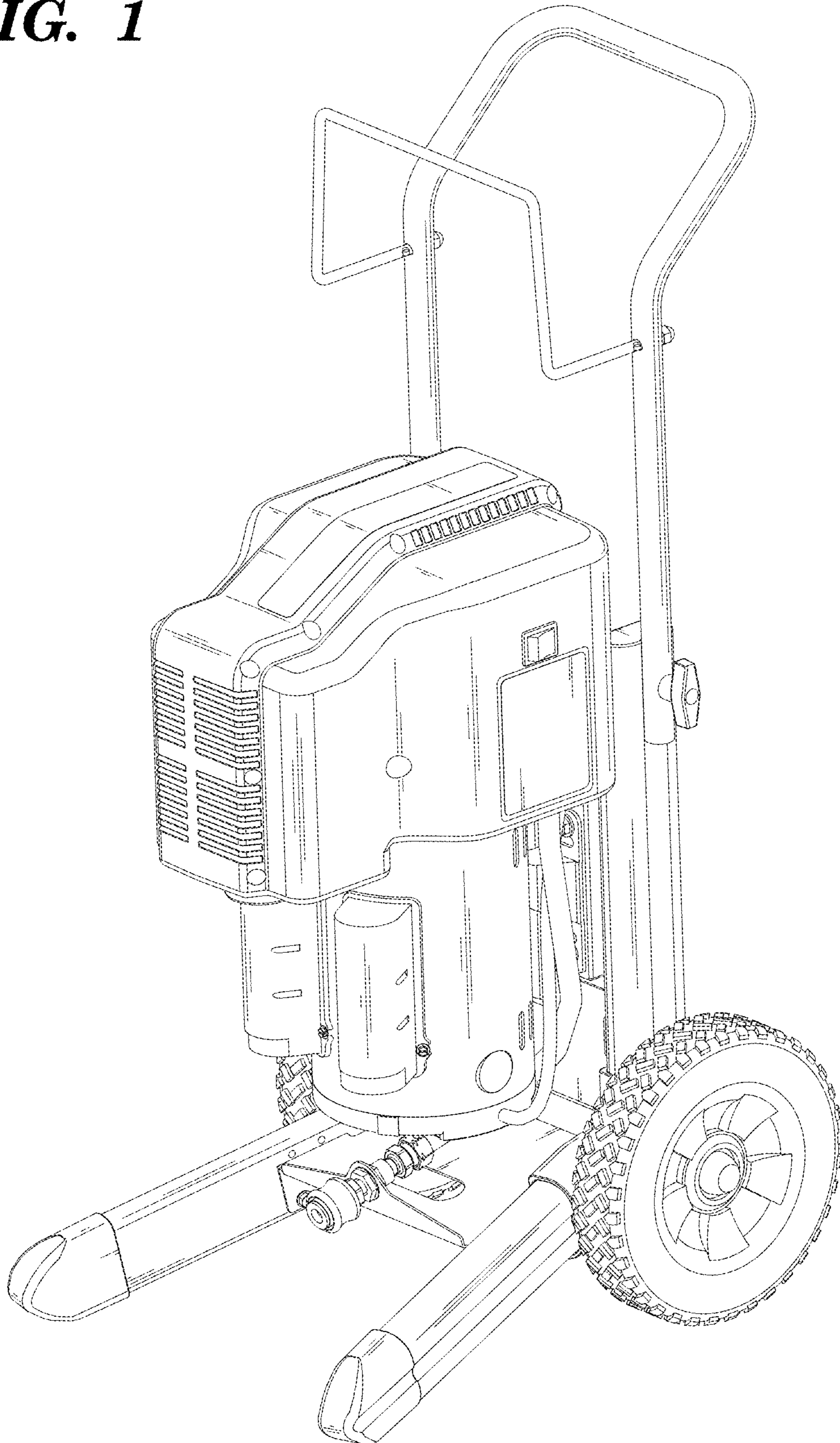
7,909,584 B2 * 3/2011 Etter F04B 41/02
417/234
D636,409 S * 4/2011 Wilmes D15/9
D648,082 S * 11/2011 Alexander D32/15
D771,714 S * 11/2016 Hines D15/7
D806,757 S * 1/2018 Wood D15/9
D811,325 S * 2/2018 Inskeep D13/107
D812,561 S * 3/2018 Inskeep D13/107

OTHER PUBLICATIONS

MarshallTown DuoFlex Instruction Manual copyright 2004, whole document.

* cited by examiner

FIG. 1



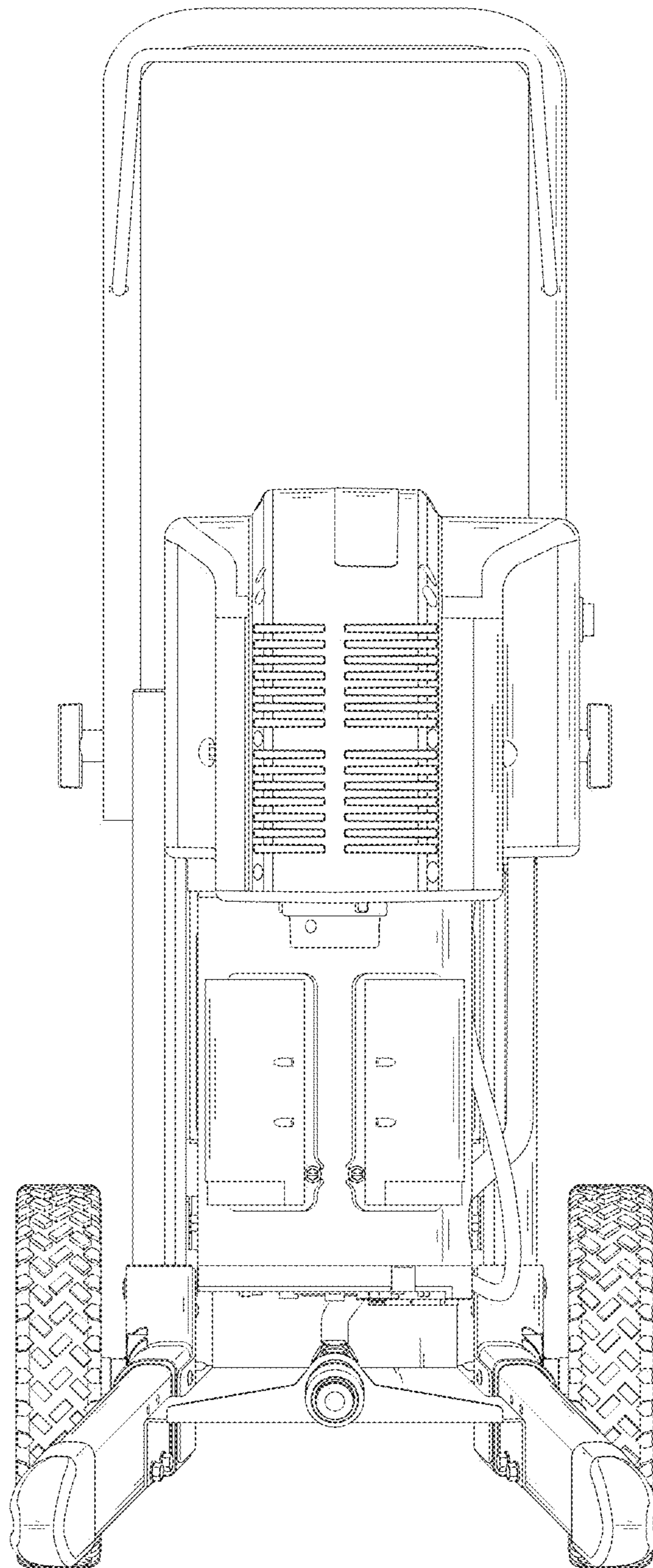


FIG. 2

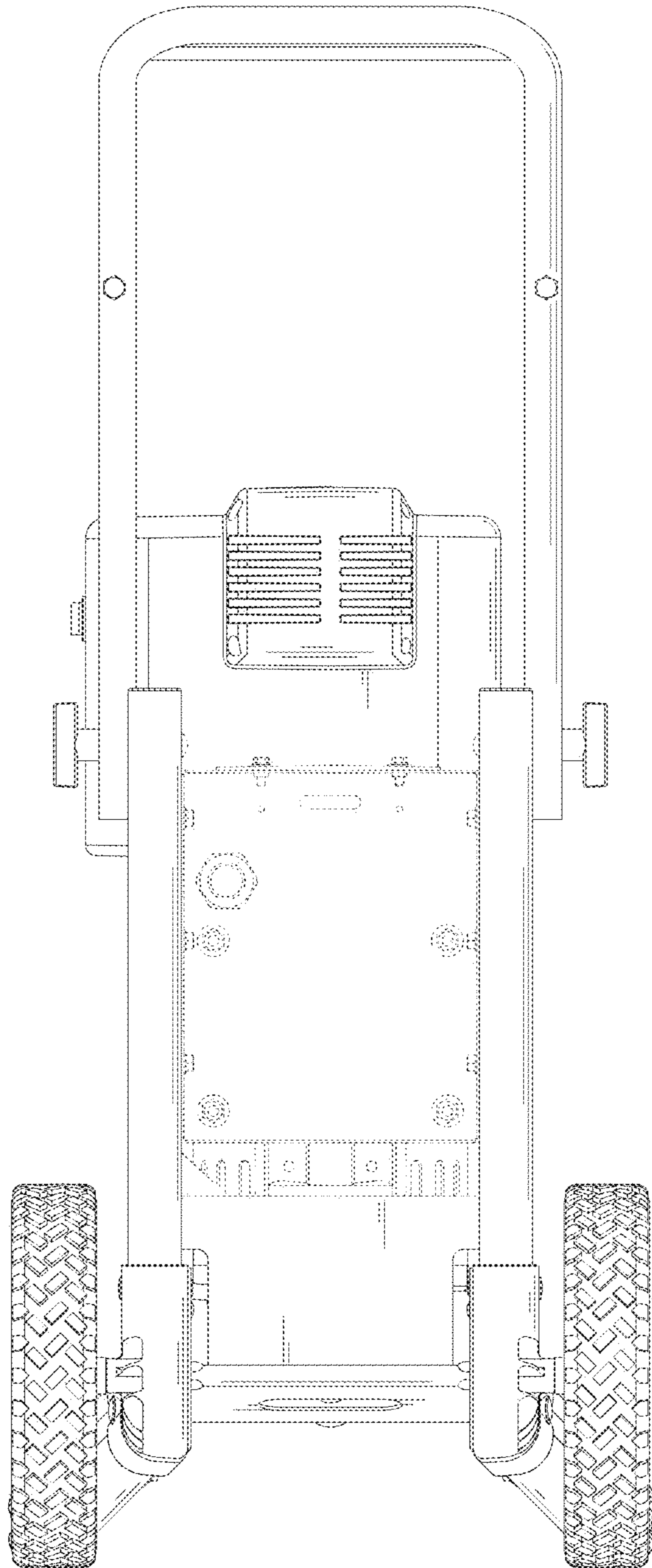


FIG. 3

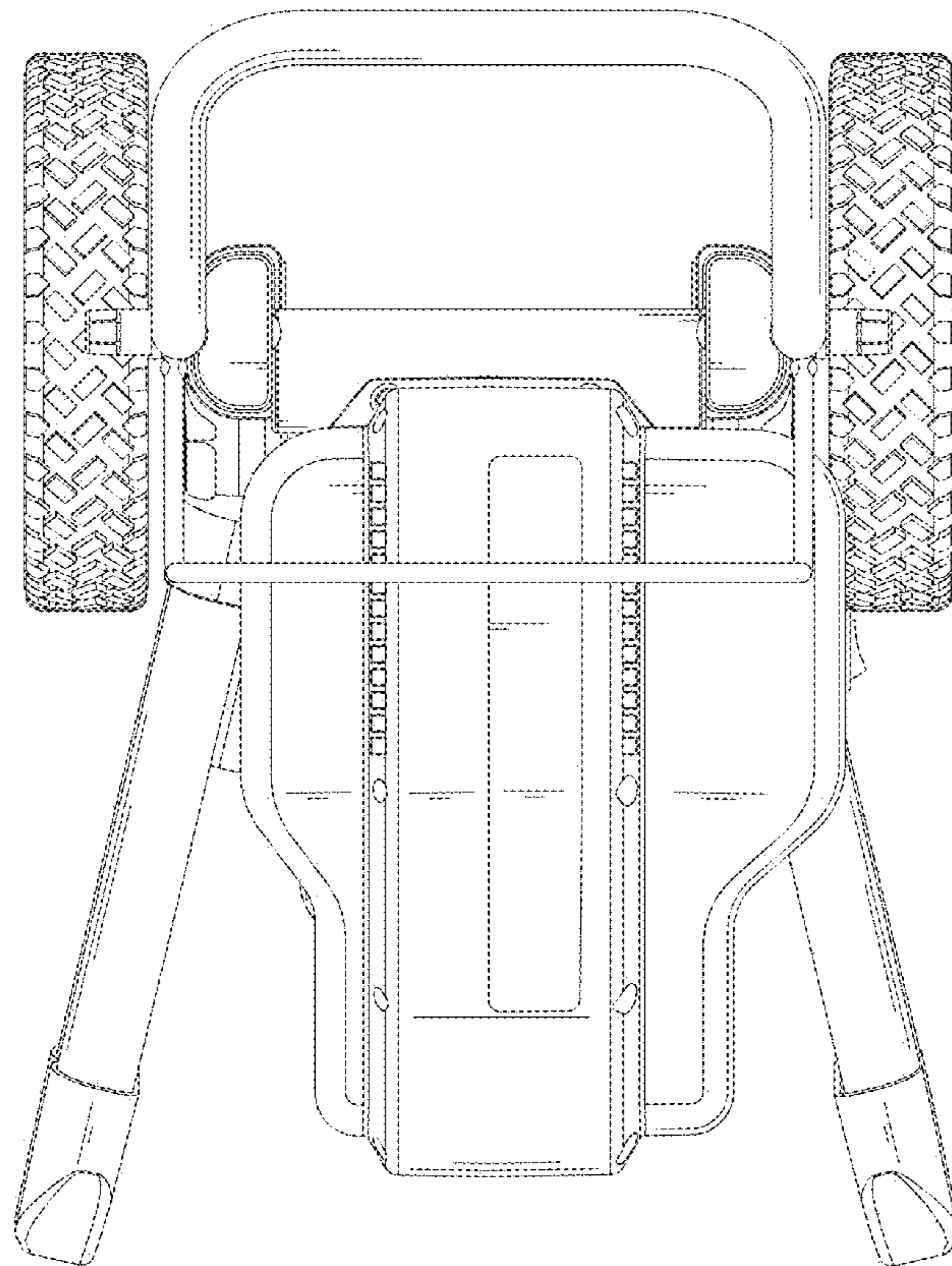


FIG. 4

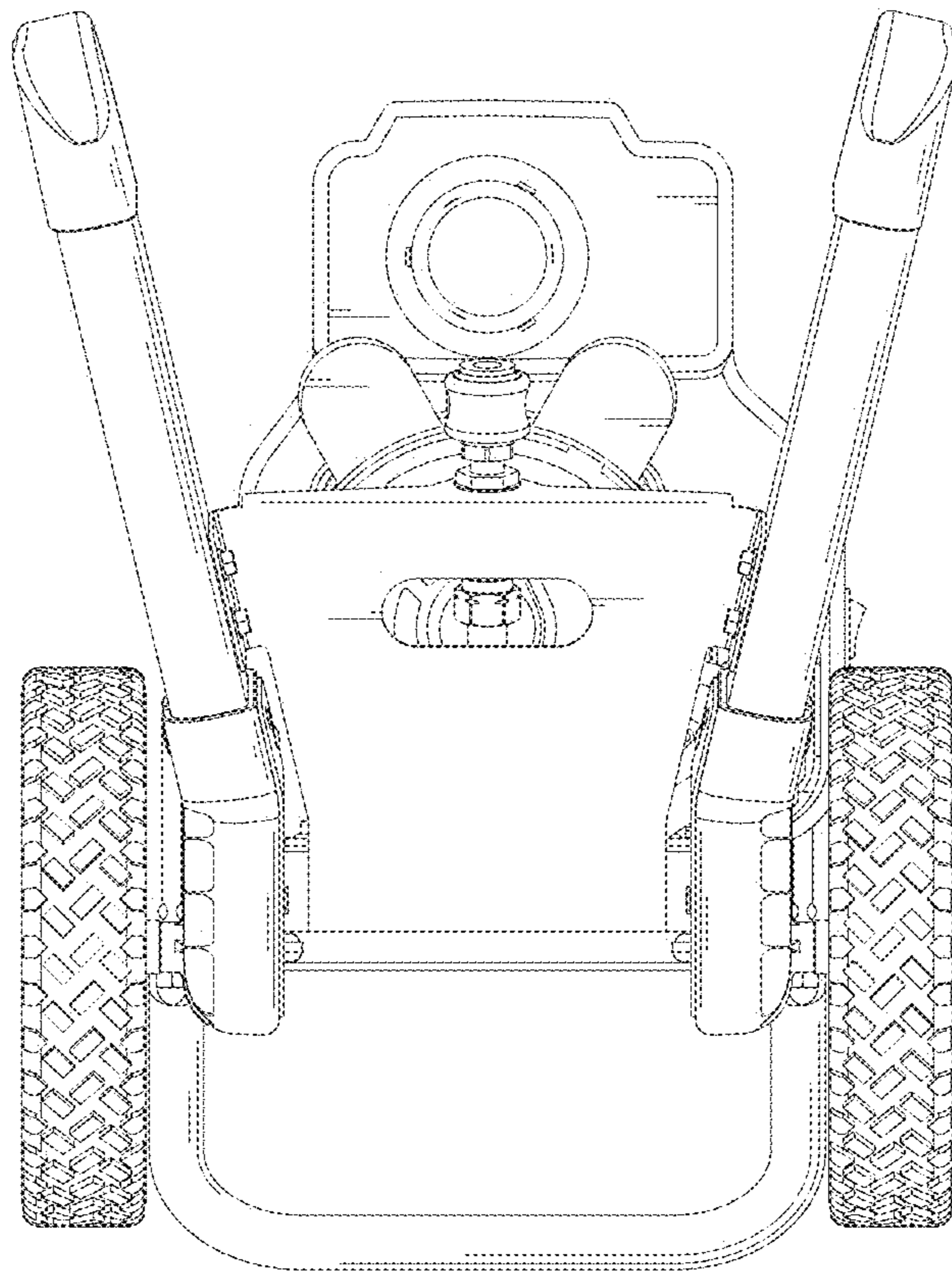


FIG. 5

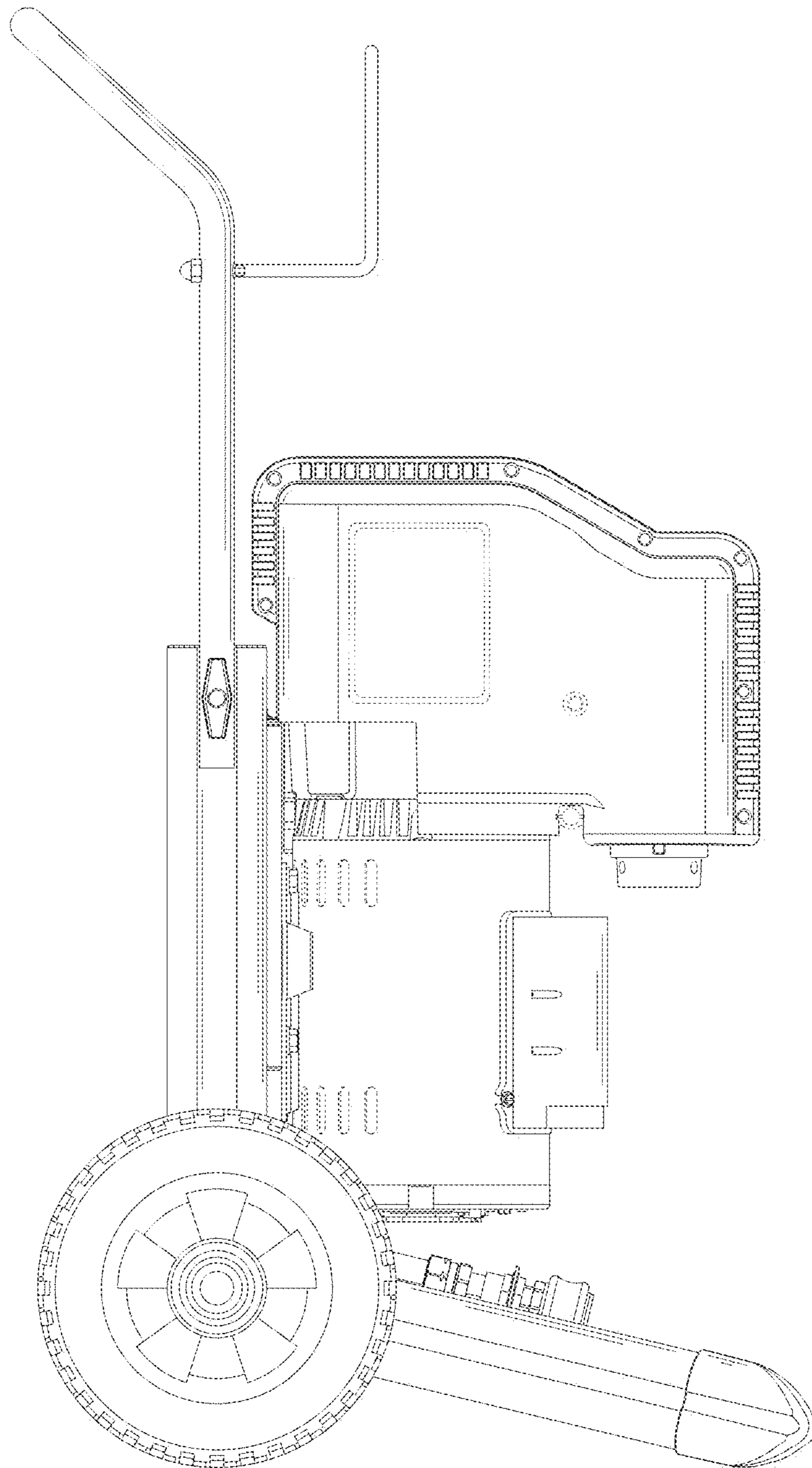


FIG. 6

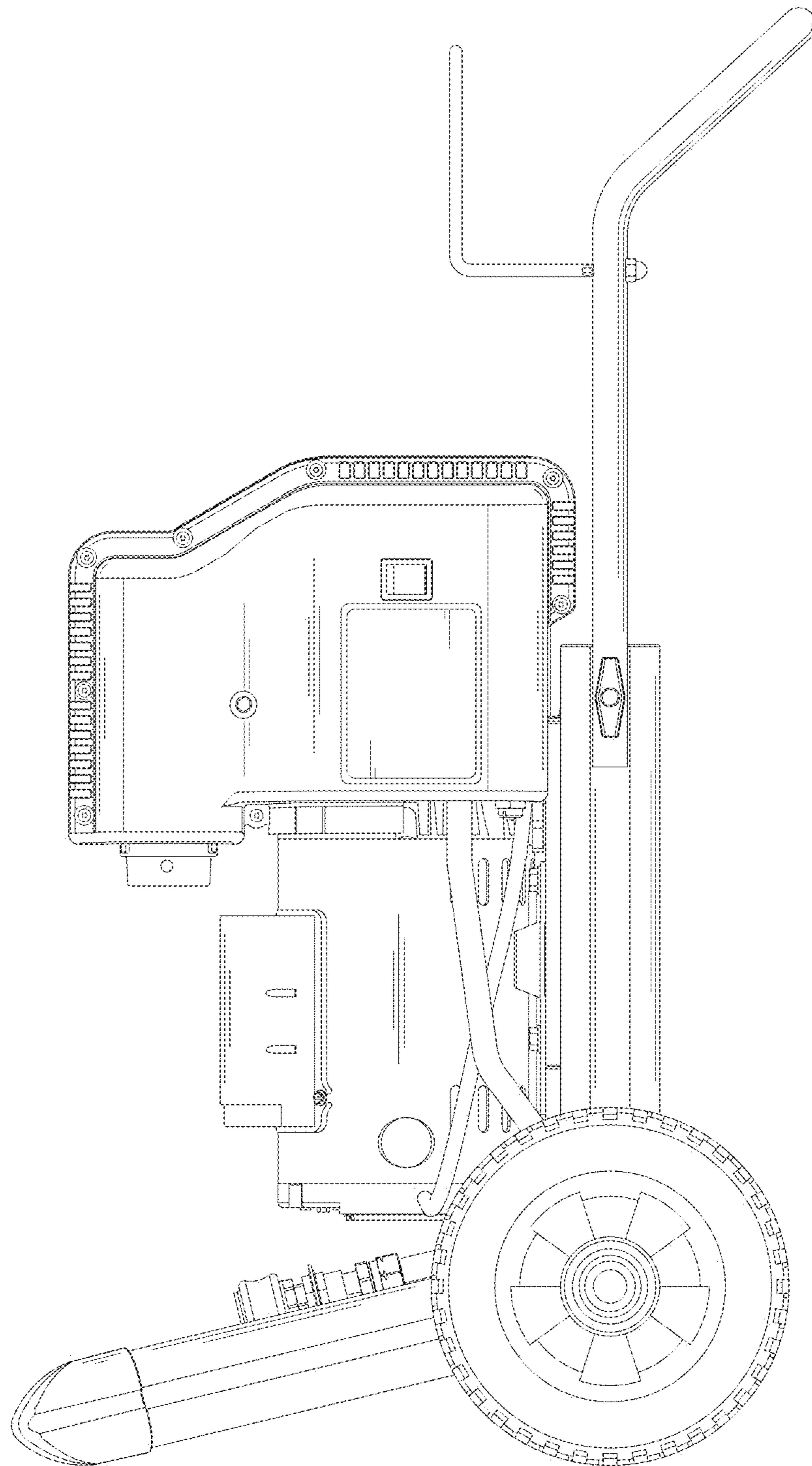


FIG. 7