

US00D876444S

(12) **United States Design Patent** (10) **Patent No.:** **US D876,444 S**
Ann et al. (45) **Date of Patent:** **** Feb. 25, 2020**

(54) **E-BOARD**

2200/08; F16M 11/2021; A47B 21/0314;
A47B 88/044; A47B 2021/0335; H02G
3/126;

(71) Applicant: **SAMSUNG ELECTRONICS CO., LTD.**, Suwon-si, Gyeonggi-do (KR)

(Continued)

(72) Inventors: **Sungjin Ann**, Seoul (KR); **Youngsoo Hong**, Gwacheon-si (KR); **Wonchul Hwang**, Seoul (KR)

(56) **References Cited**

U.S. PATENT DOCUMENTS

(73) Assignee: **SAMSUNG ELECTRONICS CO., LTD.**, Gyeonggi-do (KR)

D725,616 S * 3/2015 Oh D14/126
D743,953 S * 11/2015 Ann D14/239
D745,864 S * 12/2015 Jung D14/239

(Continued)

(**) Term: **15 Years**

FOREIGN PATENT DOCUMENTS

(21) Appl. No.: **29/670,322**

KR 300687001 S 3/2013
KR 300687960 S 4/2013

(22) Filed: **Nov. 15, 2018**

(Continued)

(30) **Foreign Application Priority Data**

Primary Examiner — Katie Jane Stofko

Jun. 1, 2018 (KR) 30-2018-0025660

(74) *Attorney, Agent, or Firm* — Cantor Colburn LLP

(51) **LOC (12) Cl.** **14-02**

(52) **U.S. Cl.**
USPC **D14/451**

(57) **CLAIM**

(58) **Field of Classification Search**

The ornamental design for an E-board, as shown and described.

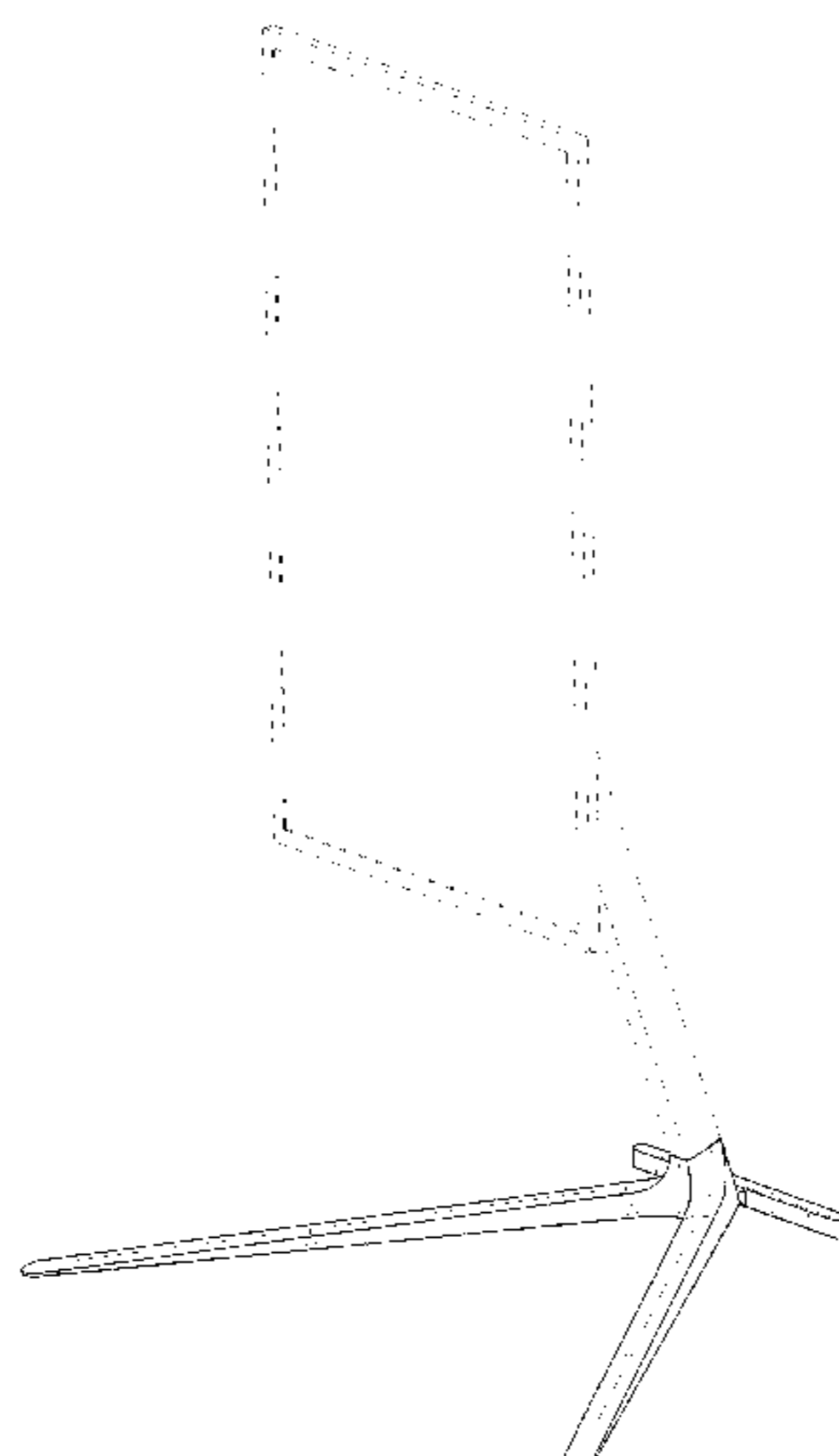
USPC D14/371–382, 125–129, 335–337,
D14/447–452, 492, 239, 457, 439–441,
D14/432, 251–253; D8/349, 354, 363,
D8/373, 376, 380; 348/180, 184, 325,
348/739, 825; D12/407, 415; D3/218;
341/12

DESCRIPTION

CPC G06F 3/0412; G06F 3/016; G06F 3/0488;
G06F 3/011; G06F 3/038; G06F 3/03543;
G06F 3/0338; G06F 3/0202; G06F
3/0219; G06F 3/0213; G06F 1/1616;
G06F 3/023; G06F 3/04883; G02F
1/13338; G02F 1/1313; G02F 1/1333;
G02F 1/135; G02F 1/132; G02F
1/133308; G02F 1/134309; G02F
1/13718; G09G 3/3648; G06K 15/1252;
B41J 2/465; G03F 7/70291; G02B
27/0172; G02B 5/30; G02B 2027/0118;
G02B 27/0101; F16M 13/02; F16M
13/00; F16M 11/10; F16M 11/04; F16M

FIG. 1 is a front perspective view of an E-board, showing our new design;
FIG. 2 is a front view thereof;
FIG. 3 is a rear view thereof;
FIG. 4 is a left-side view thereof;
FIG. 5 is a right-side view thereof;
FIG. 6 is a top view thereof;
FIG. 7 is a bottom view thereof;
FIG. 8 is a rear perspective view thereof; and,
FIG. 9 is an enlarged view of the portion 9 in FIG. 5.
The even-dash broken lines illustrating portions of the E-board form no part of the claimed design. The dot-dash broken lines encircling enlargement portions of the claimed design form no part of the claimed design.

1 Claim, 9 Drawing Sheets



(58) **Field of Classification Search**

CPC F16B 47/00; F16B 47/006; A47G 1/17;
A47K 2201/00

See application file for complete search history.

(56) **References Cited**

U.S. PATENT DOCUMENTS

D758,373	S	*	6/2016	Kim	D14/451
D758,983	S	*	6/2016	Kim	D14/126
D769,874	S	*	10/2016	Kung	D14/374
D783,554	S	*	4/2017	Kim	D14/126
D786,262	S	*	5/2017	Kim	D14/451
D790,542	S	*	6/2017	Jung	D14/374
D791,132	S	*	7/2017	Oh	D14/374
D796,463	S	*	9/2017	So	D14/126
D800,706	S	*	10/2017	Ann	D14/239
D822,670	S	*	7/2018	Hubert	D14/451

FOREIGN PATENT DOCUMENTS

KR	300687963	S	4/2013
KR	300693467	S	5/2013
KR	300708322	S	10/2015

* cited by examiner

FIG. 1

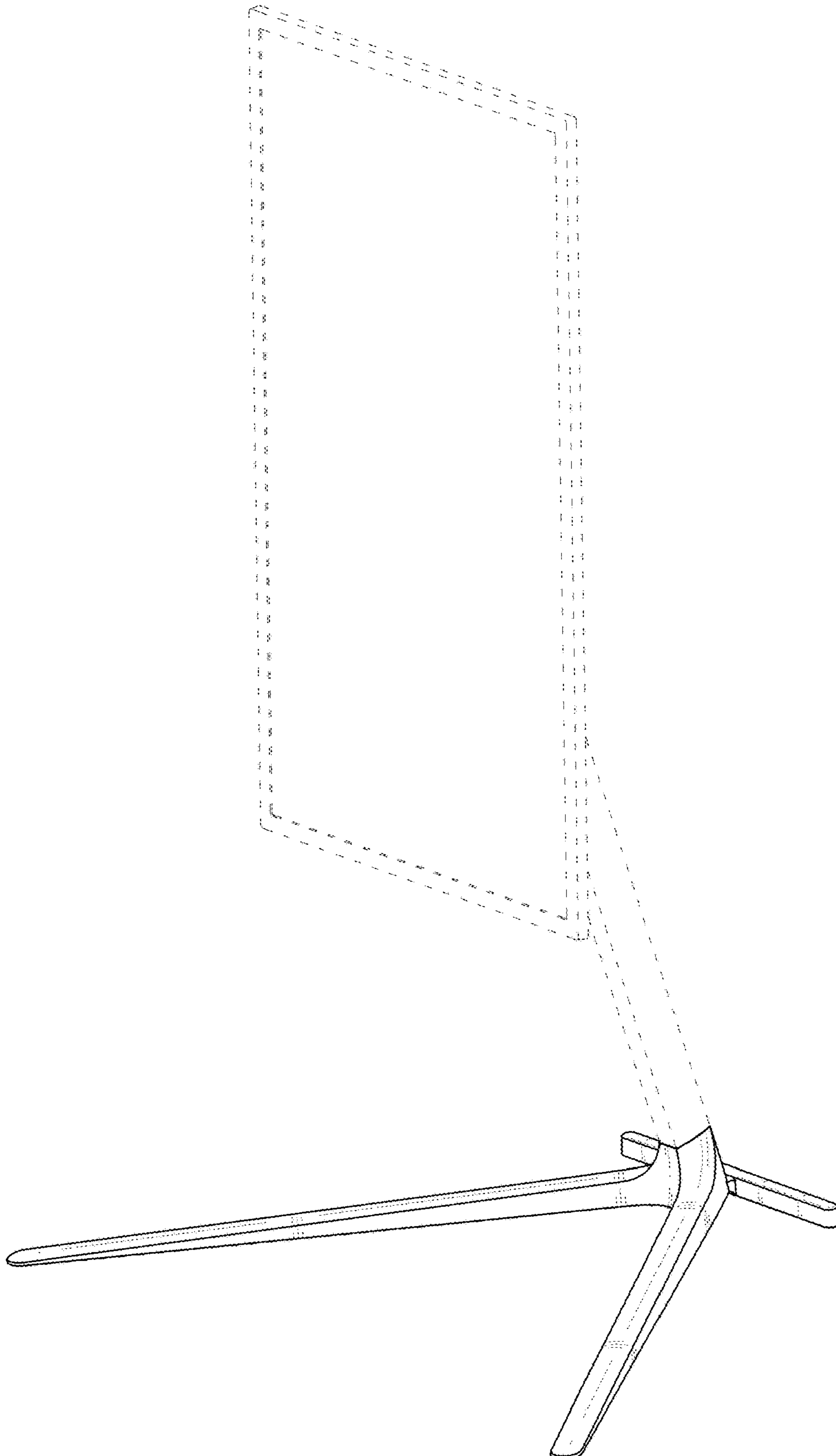


FIG. 2

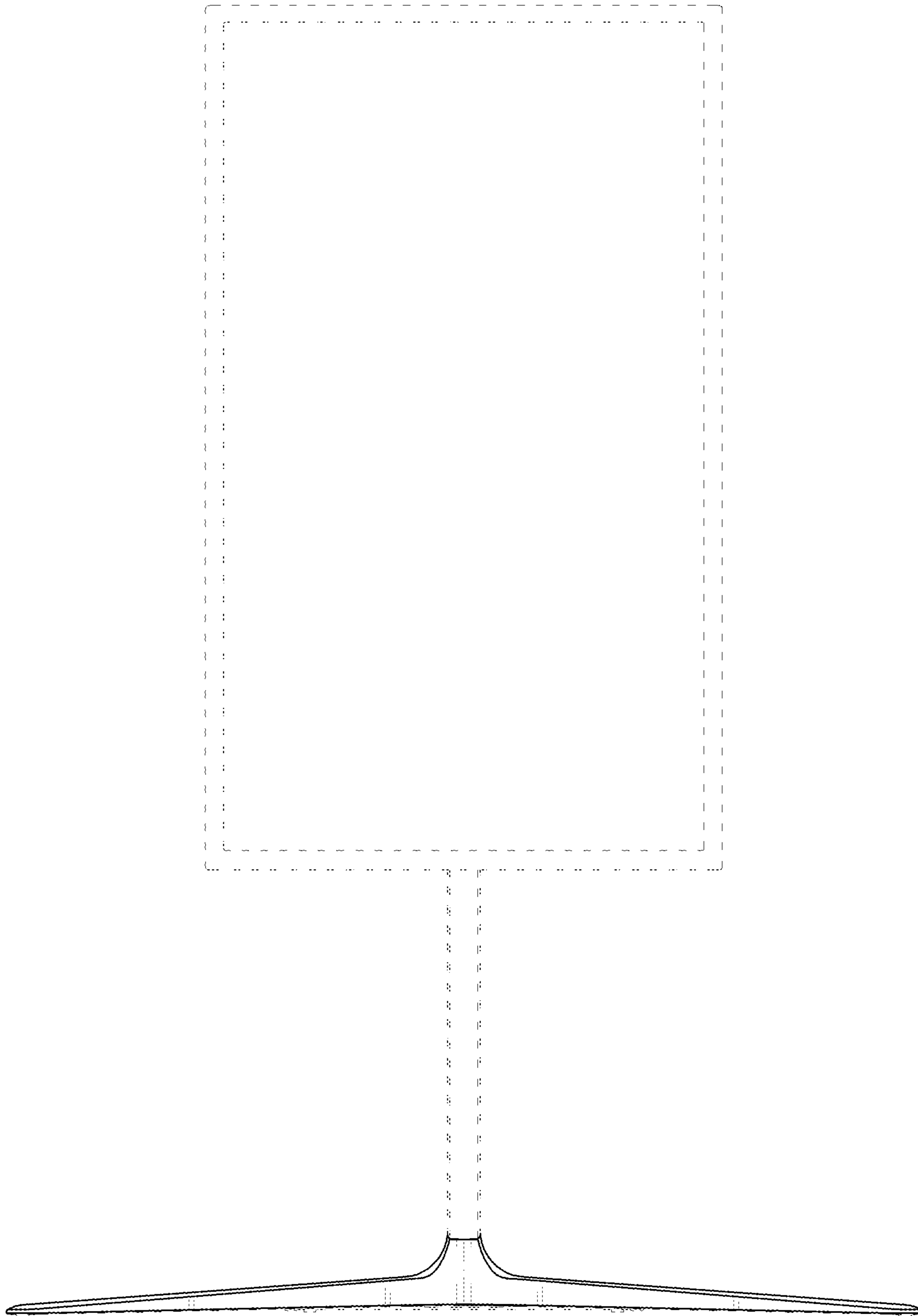


FIG. 3

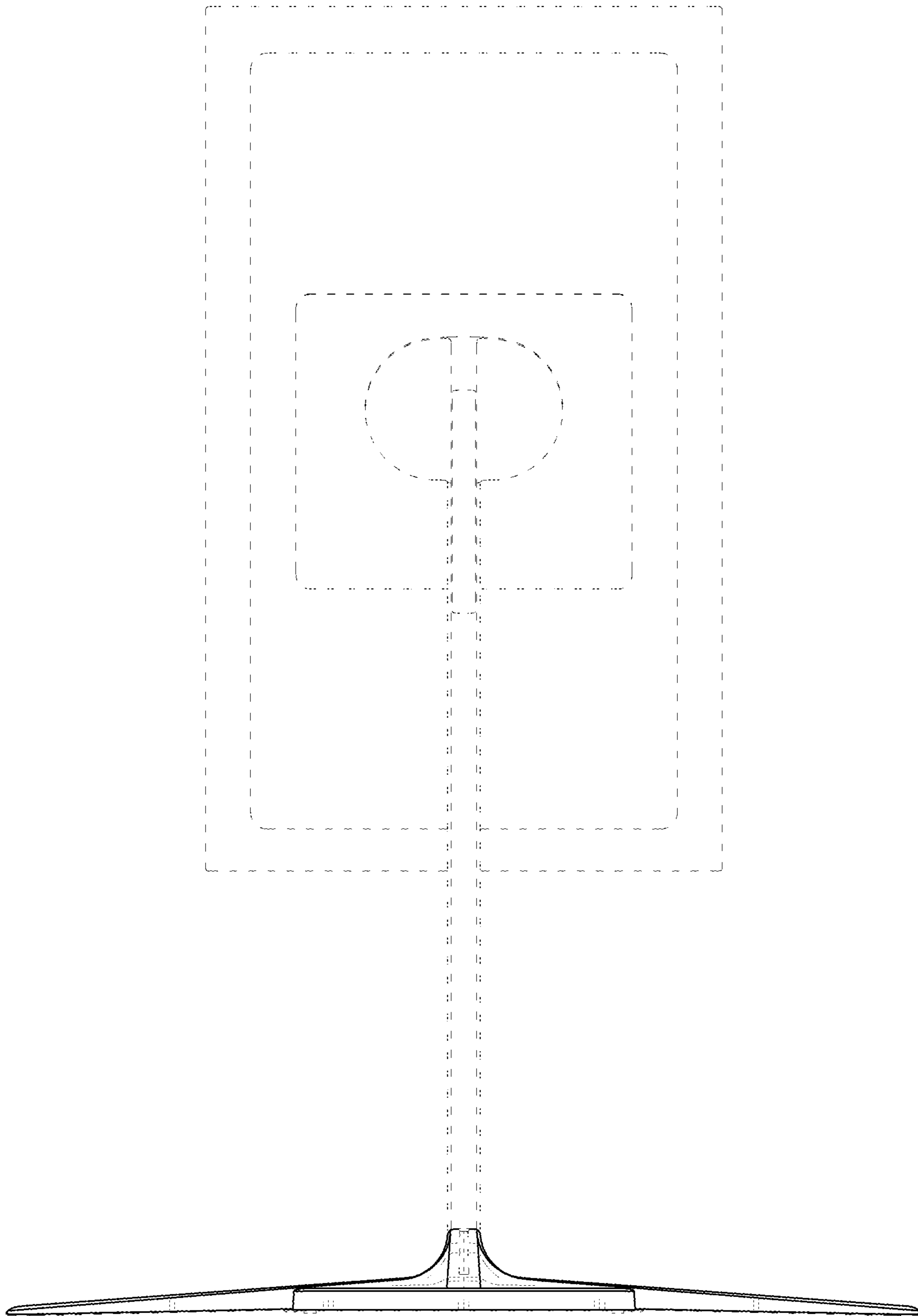


FIG. 4

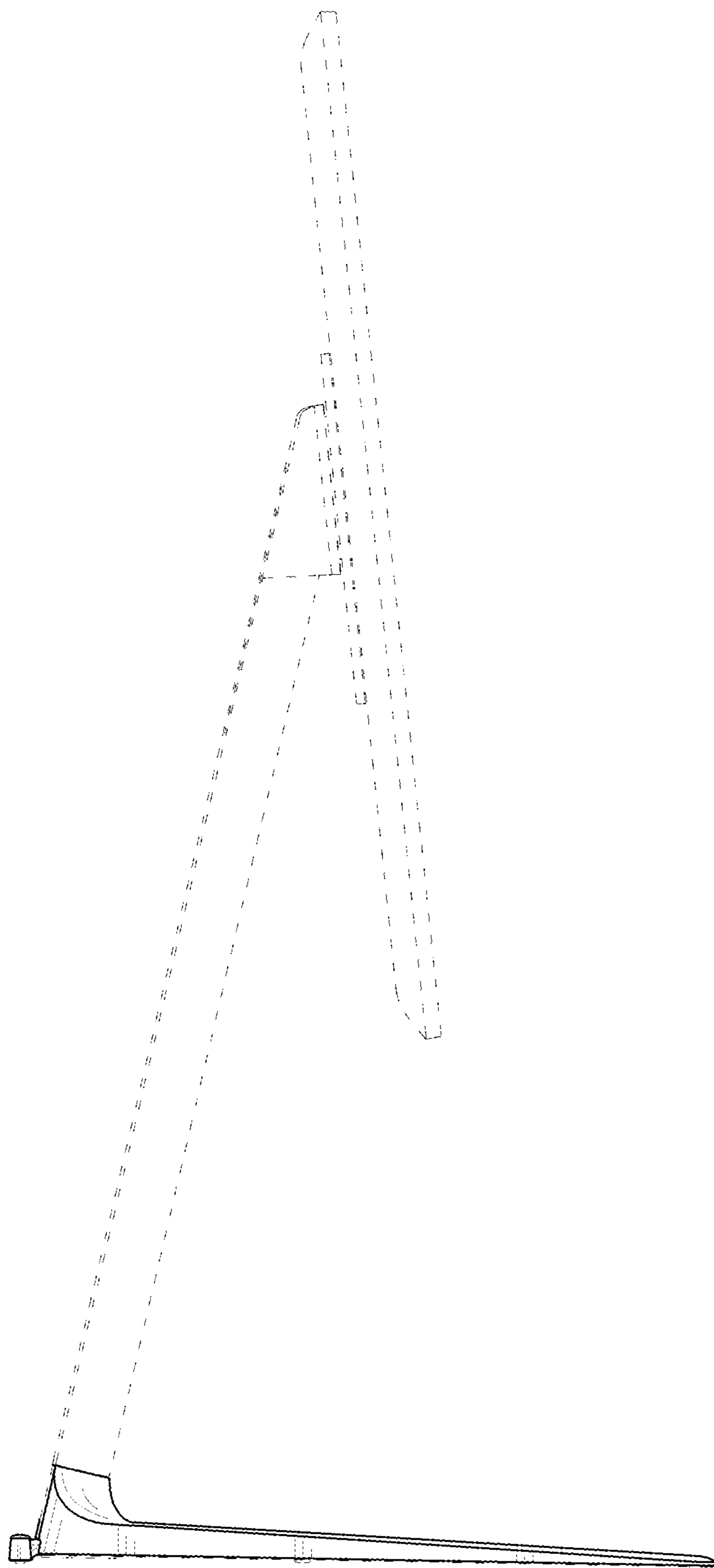


FIG. 5

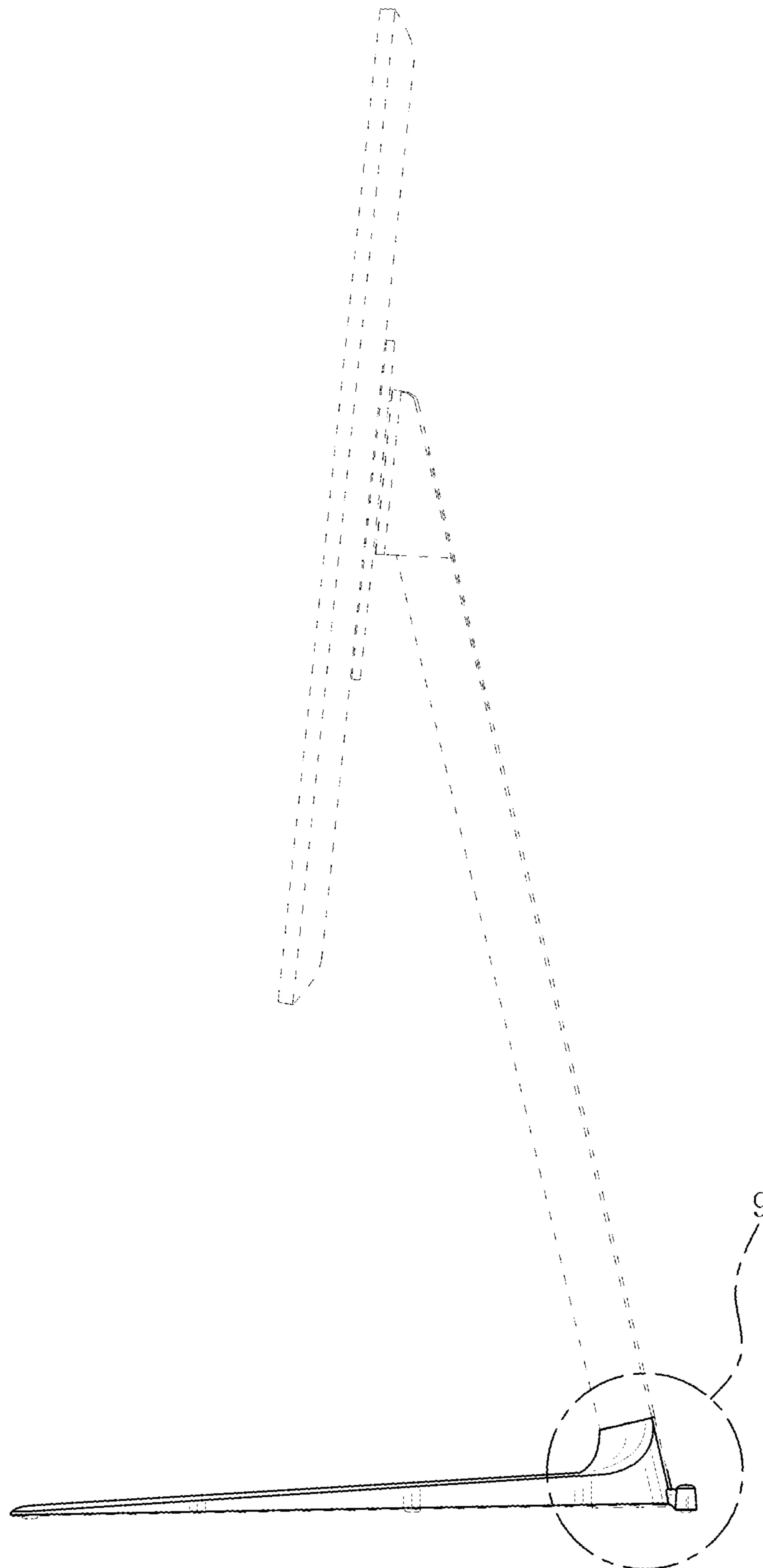


FIG. 6

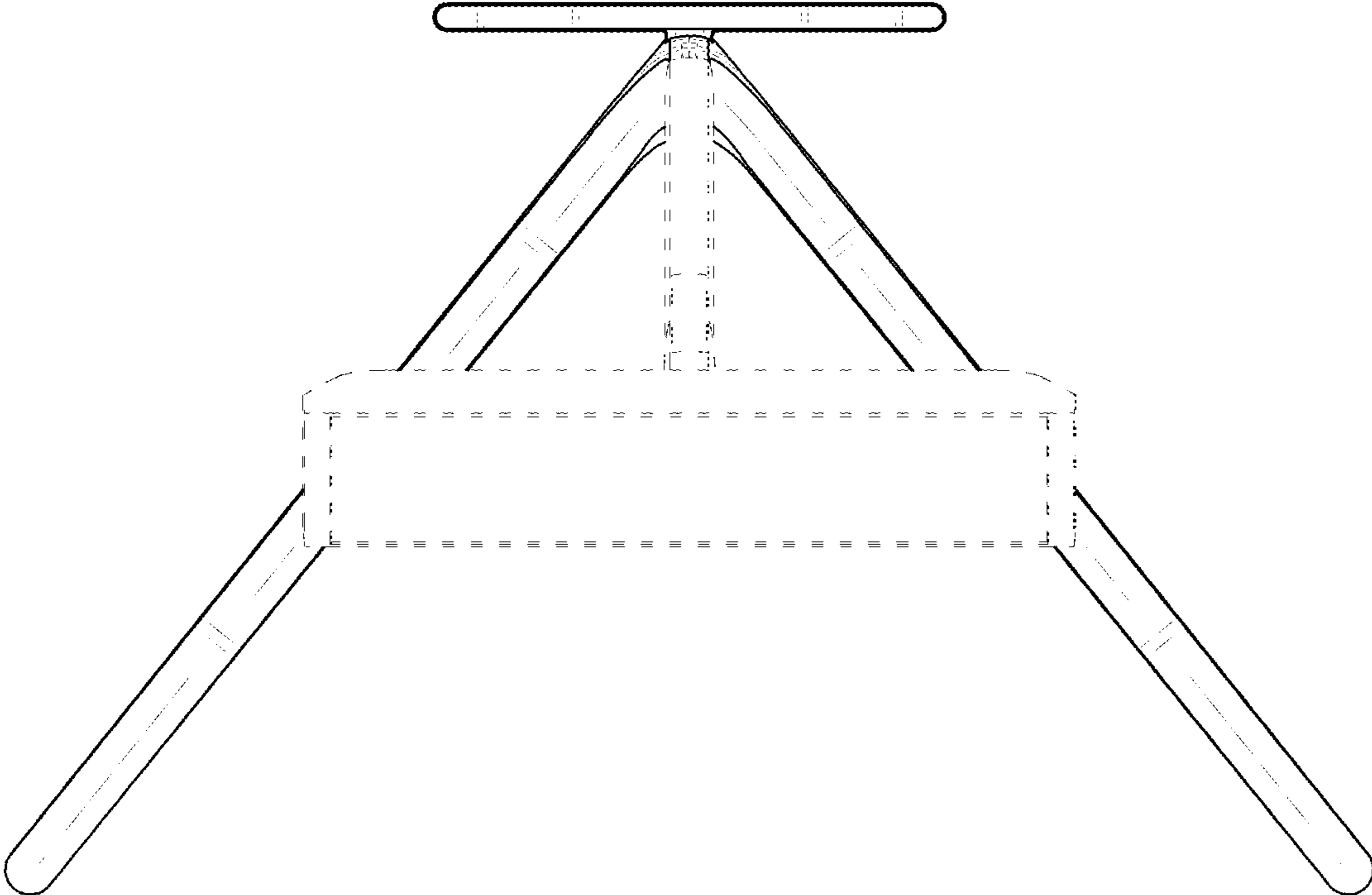


FIG. 7

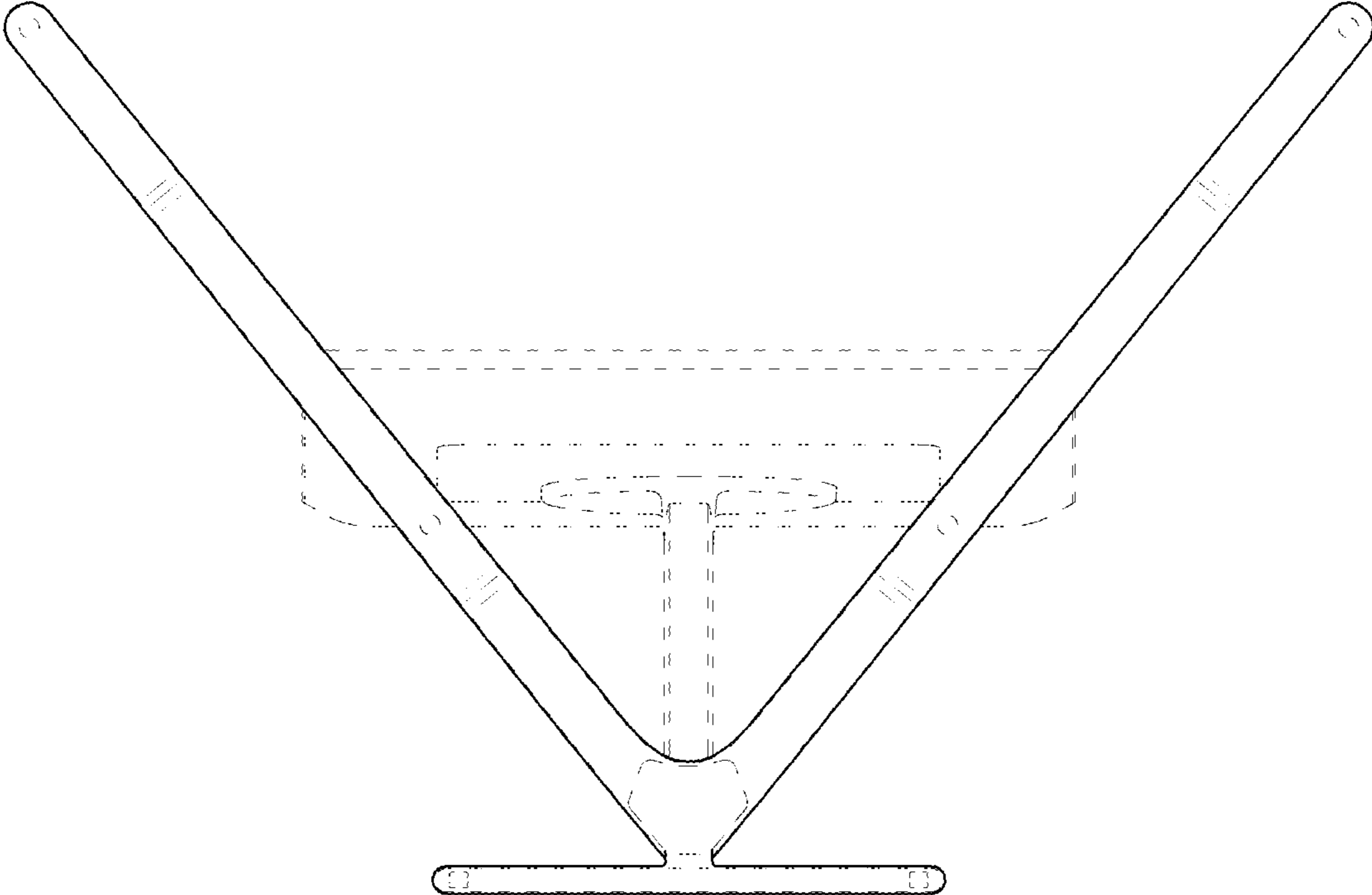


FIG. 8

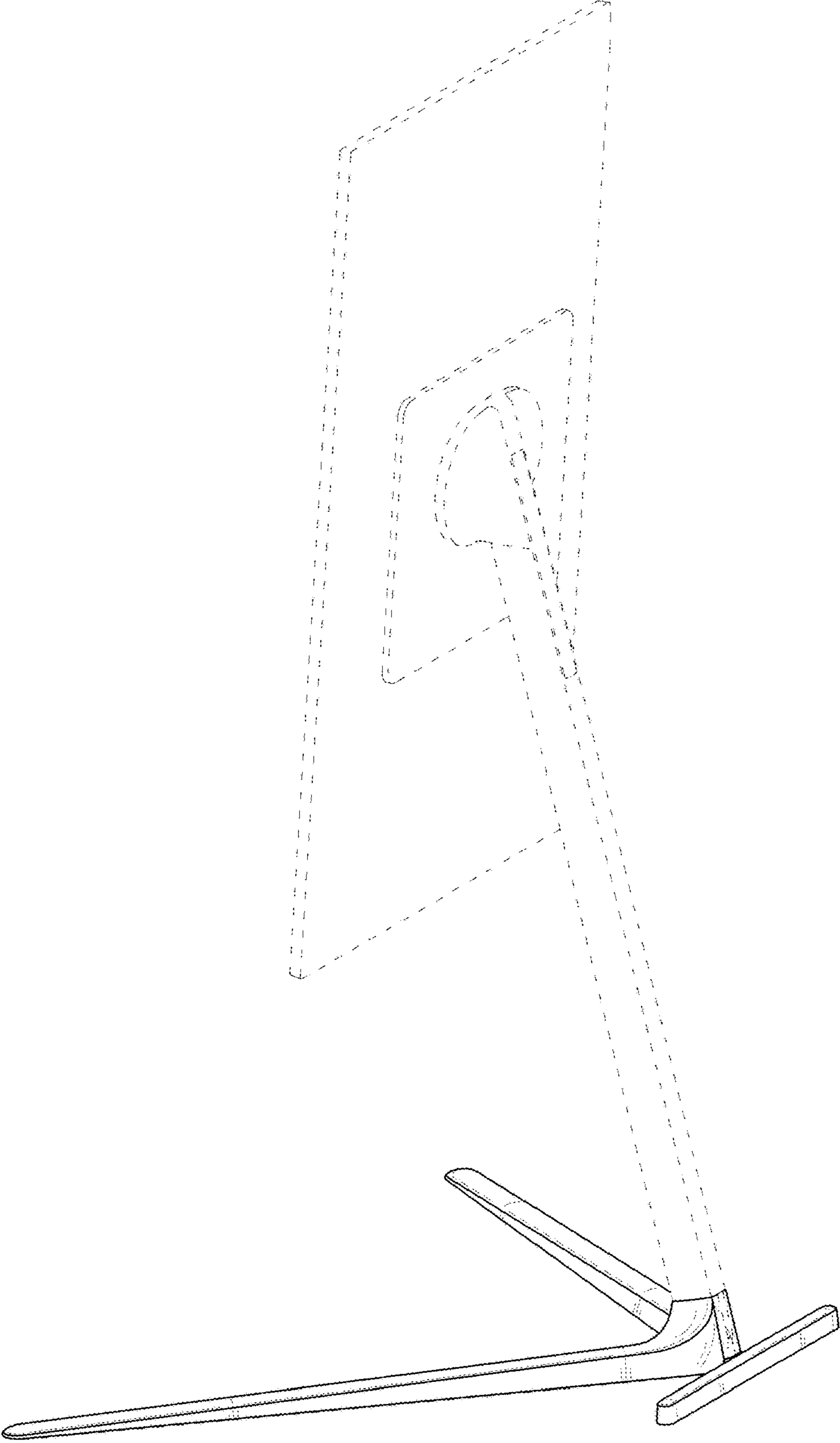


FIG. 9

