



US00D876443S

(12) **United States Design Patent** (10) **Patent No.:** **US D876,443 S**
Morgan et al. (45) **Date of Patent:** **** Feb. 25, 2020**

(54) **PERIPHERAL COMPONENT INTERCONNECT CARD PANEL SET**

(71) Applicant: **Intel Corporation**, Santa Clara, CA (US)

(72) Inventors: **Wesley Brook Morgan**, Olympia, WA (US); **Aleksander Magi**, Portland, OR (US); **Duck Young Kong**, Beaverton, OR (US); **Michael Hyde**, San Francisco, CA (US)

(73) Assignee: **Intel Corporation**, Santa Clara, CA (US)

(**) Term: **15 Years**

(21) Appl. No.: **29/705,978**

(22) Filed: **Sep. 17, 2019**

Related U.S. Application Data

(62) Division of application No. 29/633,235, filed on Jan. 12, 2018.

(51) **LOC (12) Cl.** **14-02**

(52) **U.S. Cl.**
USPC **D14/436**

(58) **Field of Classification Search**

USPC D14/356, 357, 358, 432, 433, 434, 435, D14/435.1, 436, 437, 300, 301, 313, 257, D14/388, 454; D13/123, 133, 139.1, D13/139.3, 139.4, 154, 173, 184; D8/349, 364, 366, 381, 404, 499; D25/35, 55, 58, 60
 CPC G06F 2213/0004; G06F 2213/0024; G06F 2213/0026; G06F 13/00; G06F 13/14; G06F 13/4221; G06F 1/1656; G06F 1/181; G06F 1/186; G06F 11/3041; G06F 3/00; G06F 1/184; H05K 5/00; H05K 5/0047; H05K 5/0052; H05K 5/006; H05K 5/02; H05K 5/0204; H05K 5/0269; H05K 5/03; H05K

(Continued)

(56) **References Cited**

U.S. PATENT DOCUMENTS

D299,139 S * 12/1988 Toft D14/357
 D322,780 S * 12/1991 Wislocki D14/417

(Continued)

OTHER PUBLICATIONS

United States Patent Office "Notice of Allowance," issued in connection with U.S. Appl. No. 29/633,235 dated Aug. 21, 2019, 7 pages.

Primary Examiner — Marie D. Fast Horse

(74) *Attorney, Agent, or Firm* — Hanley, Flight and Zimmerman, LLC

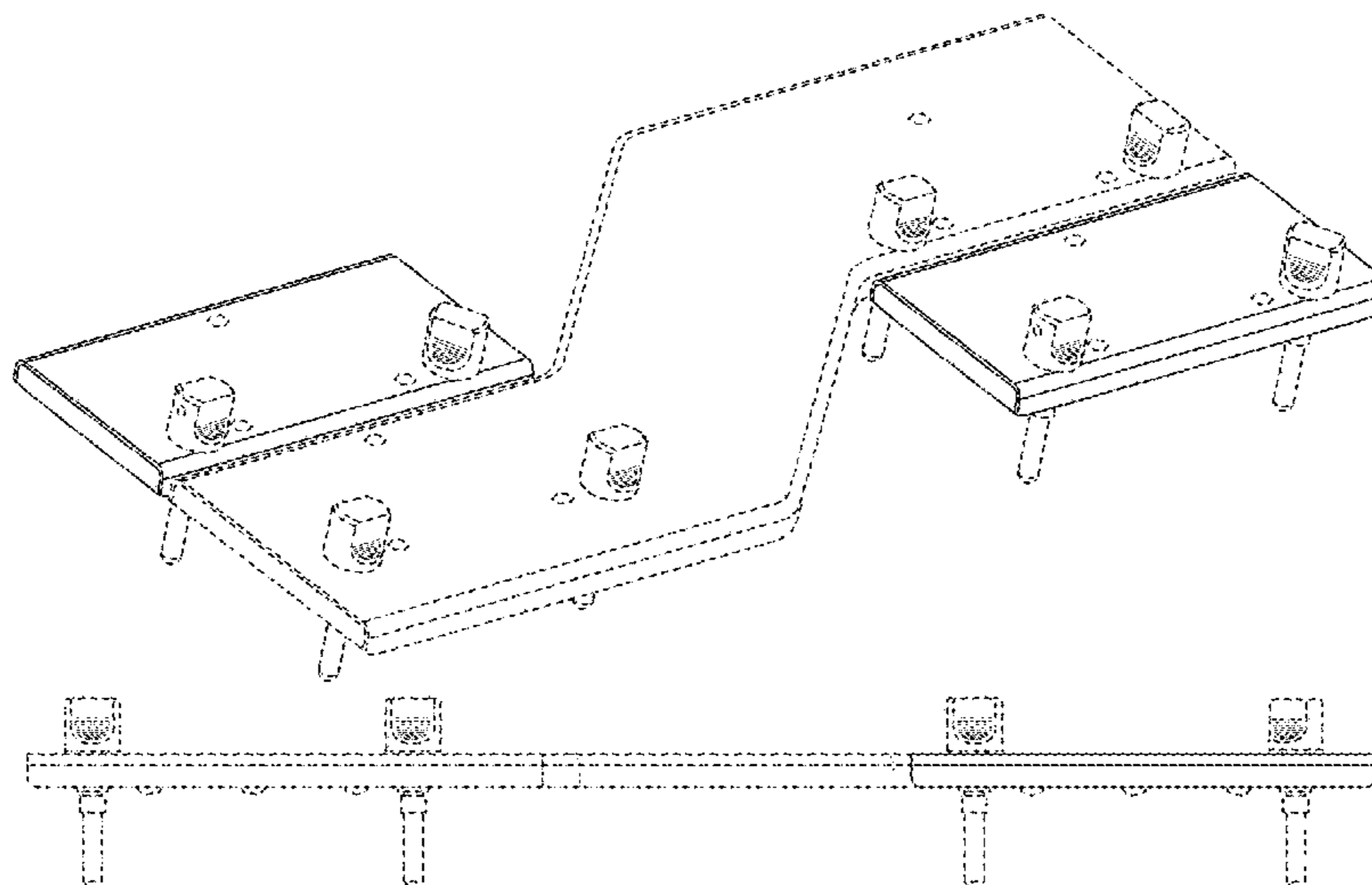
(57) **CLAIM**

The ornamental design for a "peripheral component interconnect card panel set", as shown and described.

DESCRIPTION

FIG. 1 is a right, front, top perspective view of two peripheral component interconnect card panel set.
 FIG. 2 is a top view of the peripheral component interconnect card panel set of FIG. 1.
 FIG. 3 is a bottom view of the peripheral component interconnect card panel set of FIG. 1.
 FIG. 4 is an enlarged front view of the peripheral component interconnect card panel set of FIG. 1.
 FIG. 5 is an enlarged rear view of the peripheral component interconnect card panel set of FIG. 1.
 FIG. 6 is a right side view of the peripheral component interconnect card panel set of FIG. 1; and,
 FIG. 7 is a left side view of the peripheral component interconnect card panel set of FIG. 1.
 The broken lines in the drawings depict portions of the peripheral component interconnect card panel set that form no part of the claimed design.

1 Claim, 7 Drawing Sheets



(58) **Field of Classification Search**
 CPC 5/04; H05K 1/141; H05K 7/14; H05K
 7/1402; H05K 7/1405; H05K 7/1407;
 H05K 7/1411; H05K 7/1427; H05K
 7/1428; H05K 7/1431; H01L 24/00
 See application file for complete search history.

(56) **References Cited**

U.S. PATENT DOCUMENTS

D340,043 S * 10/1993 Louis D14/393
 D360,419 S * 7/1995 Weber D13/177
 D364,398 S * 11/1995 Lam D14/433
 D371,134 S * 6/1996 Brosowske D13/184
 D372,909 S * 8/1996 Naufel D14/432
 D397,107 S * 8/1998 Klinker D14/436
 D398,004 S * 9/1998 Klinker D14/436
 D398,592 S * 9/1998 Klinker D14/436
 D399,502 S * 10/1998 Klinker D14/436
 D405,437 S * 2/1999 Klinker D14/433
 D405,440 S * 2/1999 Klinker D14/436
 D405,772 S * 2/1999 Klinker D14/436
 D405,778 S * 2/1999 Klinker D14/436
 D409,178 S * 5/1999 Klinker D14/436
 D413,109 S * 8/1999 Klinker D14/432
 D413,315 S * 8/1999 Klinker D14/432
 D413,316 S * 8/1999 Klinker D14/432
 6,021,049 A * 2/2000 Thompson H05K 7/1405
 211/41.17
 D436,357 S * 1/2001 Klinker D14/432
 D457,887 S * 5/2002 Kadonaga D14/436
 D458,935 S * 6/2002 Hiroki D14/436
 D469,771 S * 2/2003 Nishio D14/433
 D469,772 S * 2/2003 Nishio D14/433
 D489,725 S * 5/2004 Hu D14/433
 D492,688 S * 7/2004 Wallace D14/436
 D493,799 S * 8/2004 Chiang D14/436
 D498,760 S * 11/2004 Chiang D14/436
 D505,959 S * 6/2005 Yamada D14/436
 D507,795 S * 7/2005 Yamada D14/436
 D510,579 S * 10/2005 Yamada D14/436
 D510,935 S * 10/2005 Yamada D14/436
 D520,015 S * 5/2006 Peddle D14/435
 D523,435 S * 6/2006 Takiar D14/436
 D523,857 S * 6/2006 Nakamura D14/433
 D524,314 S * 7/2006 Nakamura D14/433

D525,248 S * 7/2006 Takiar D14/436
 D525,623 S * 7/2006 Takiar D14/436
 D525,978 S * 8/2006 Takiar D14/436
 D530,331 S * 10/2006 Yao D14/436
 D533,556 S * 12/2006 Yamada D14/436
 D537,081 S * 2/2007 Takiar D14/436
 D538,286 S * 3/2007 Takiar D14/436
 D552,613 S * 10/2007 Tan D14/436
 D555,653 S * 11/2007 Tseng D14/435
 D558,210 S * 12/2007 Tseng D14/435
 D574,376 S * 8/2008 Park D14/257
 D591,753 S * 5/2009 Nakano D14/436
 D591,754 S * 5/2009 Hwangbo D14/436
 D607,885 S * 1/2010 Otani D14/436
 D611,945 S * 3/2010 Yao D14/436
 D618,680 S * 6/2010 Marchand D14/357
 D620,455 S * 7/2010 Teixeira Pinto Dias D13/164
 D623,178 S * 9/2010 Lu D14/242
 D628,202 S * 11/2010 Pomerantz D14/436
 D638,431 S * 5/2011 Pomerantz D14/436
 D646,241 S * 10/2011 Daniel D14/125
 D673,144 S * 12/2012 Onoue D14/188
 D690,676 S * 10/2013 Daniel D14/436
 D702,692 S * 4/2014 Gallagher D14/436
 D730,907 S * 6/2015 Lim D14/436
 D735,726 S * 8/2015 Chen D14/432
 D745,523 S * 12/2015 Magi D14/433
 D748,627 S * 2/2016 Russette D14/356
 D748,638 S * 2/2016 Russette D14/444
 D753,090 S * 4/2016 Langhammer D14/435.1
 D755,182 S * 5/2016 Bassett D14/432
 D773,468 S * 12/2016 Ellis, II D14/432
 9,600,040 B1 * 3/2017 Han G06F 1/20
 D850,448 S * 6/2019 Lewis D14/432
 2005/0213300 A1 * 9/2005 Tran G06F 1/181
 361/679.4
 2010/0061046 A1 * 3/2010 Huang G06F 1/181
 361/679.02
 2010/0172079 A1 * 7/2010 Wu G06F 1/165
 361/679.21
 2014/0293567 A1 * 10/2014 Kuo G06F 1/186
 361/784
 2016/0335140 A1 * 11/2016 Liu G06F 1/1633
 2018/0138612 A1 * 5/2018 Lin G06F 1/185
 2019/0227605 A1 * 7/2019 Wiltzius G06F 1/185

* cited by examiner

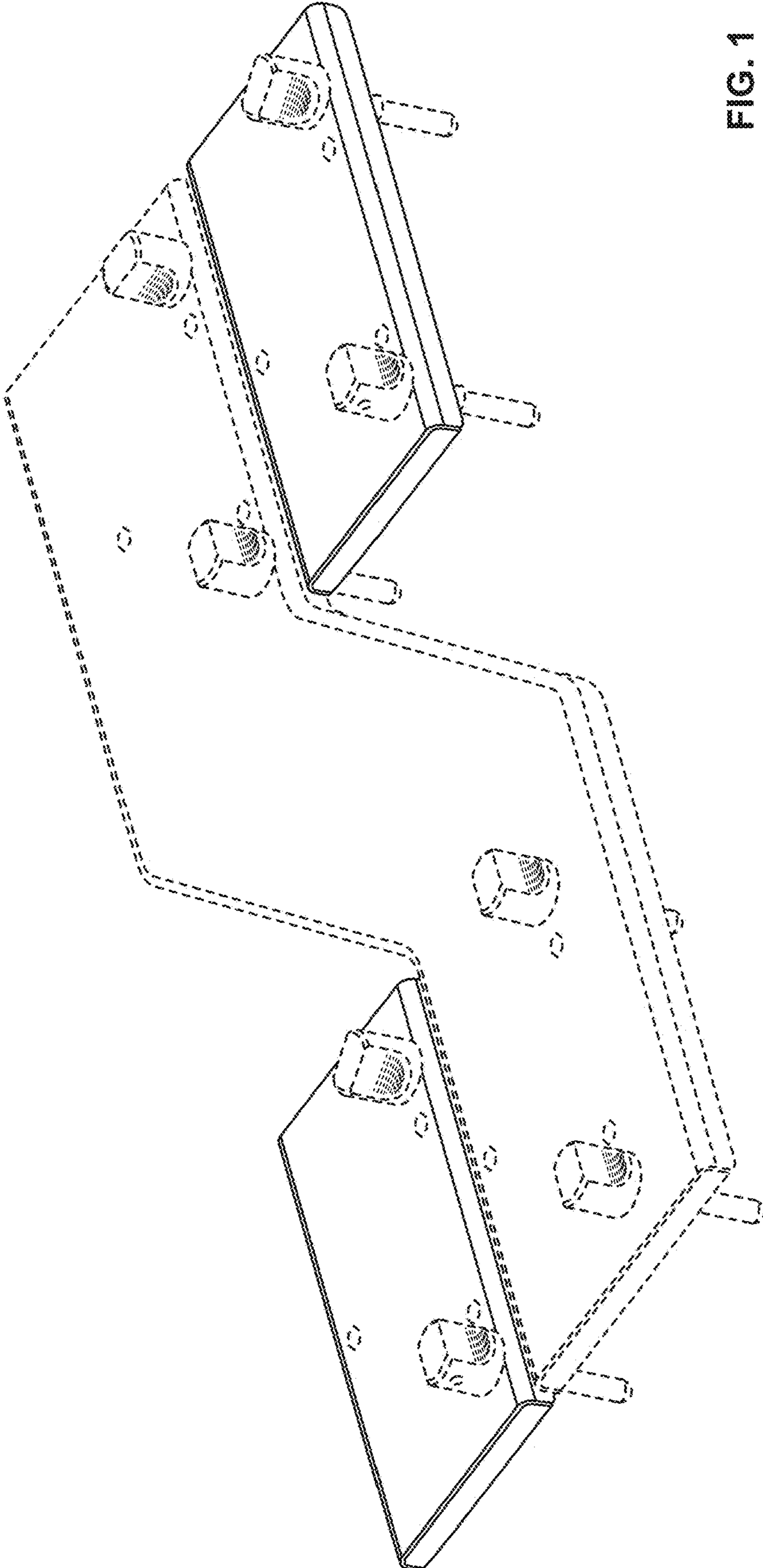


FIG. 1

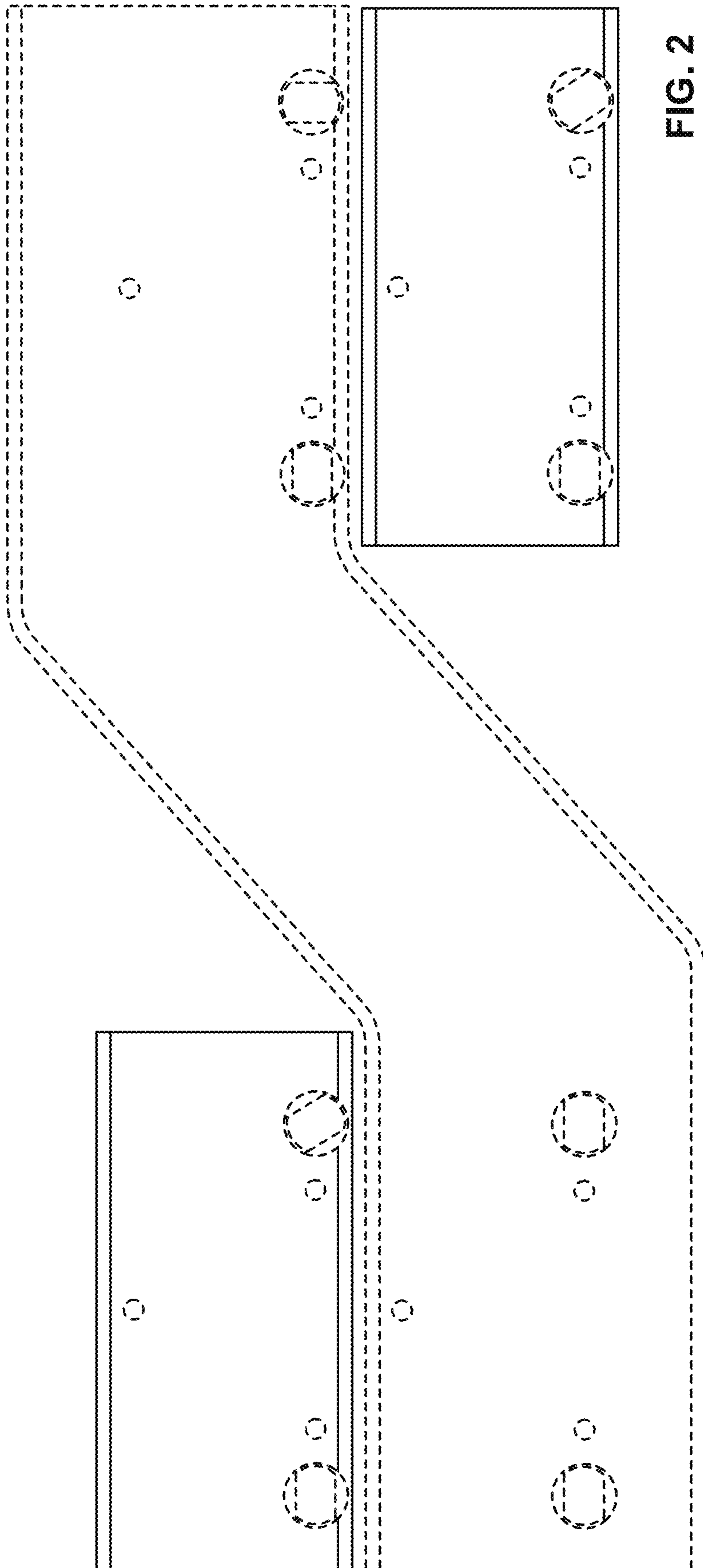


FIG. 2

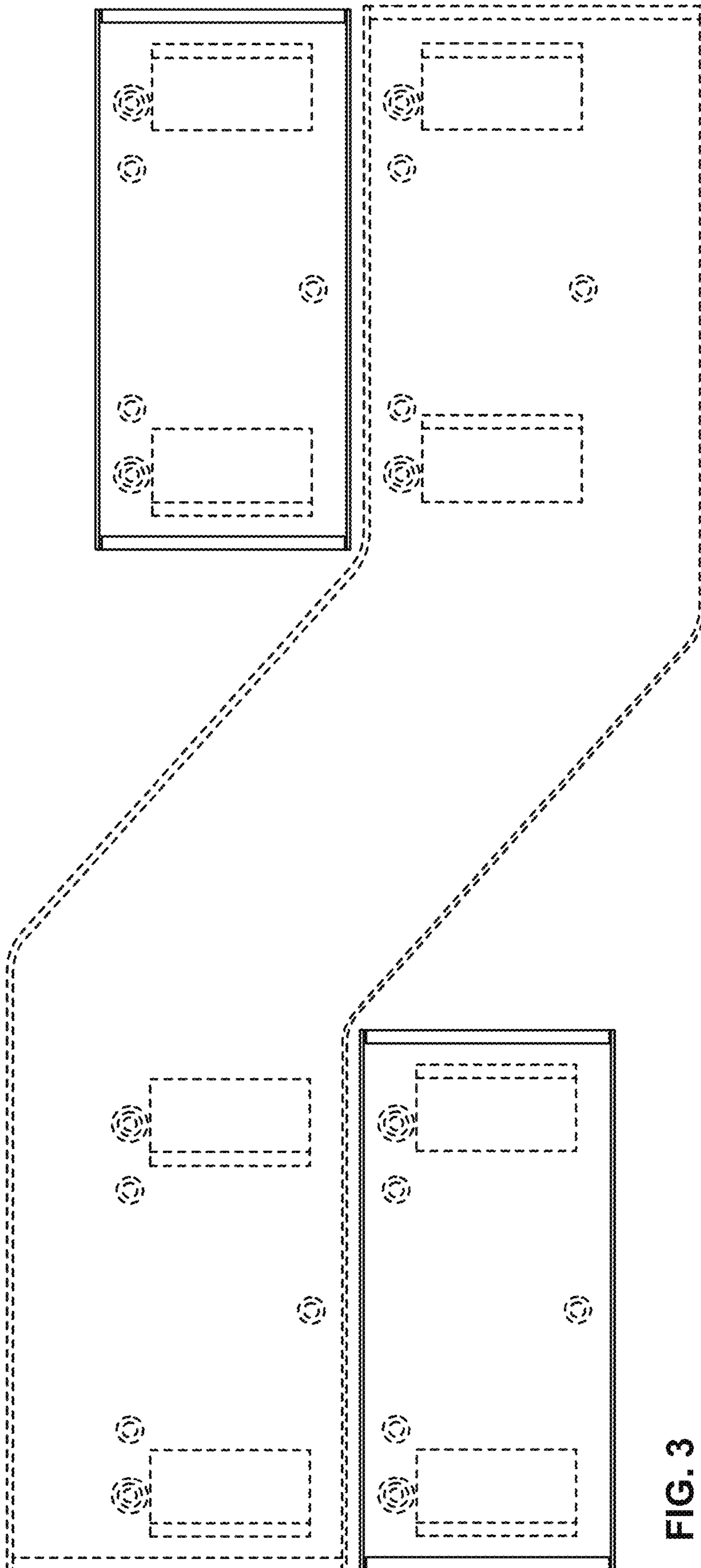


FIG. 3

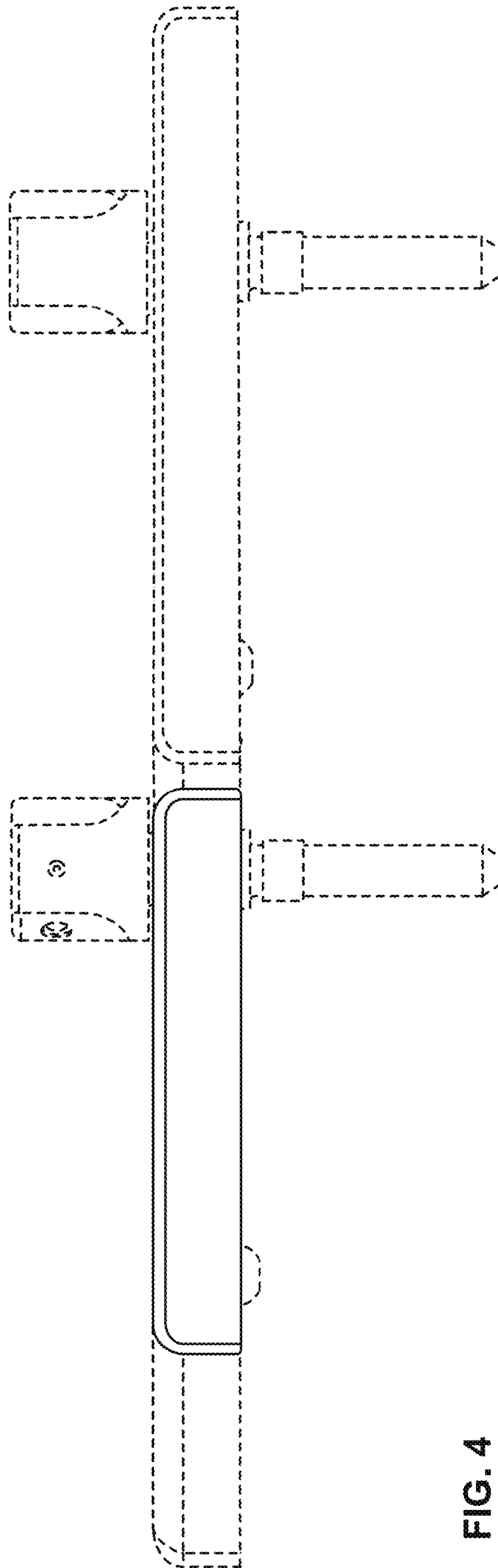


FIG. 4

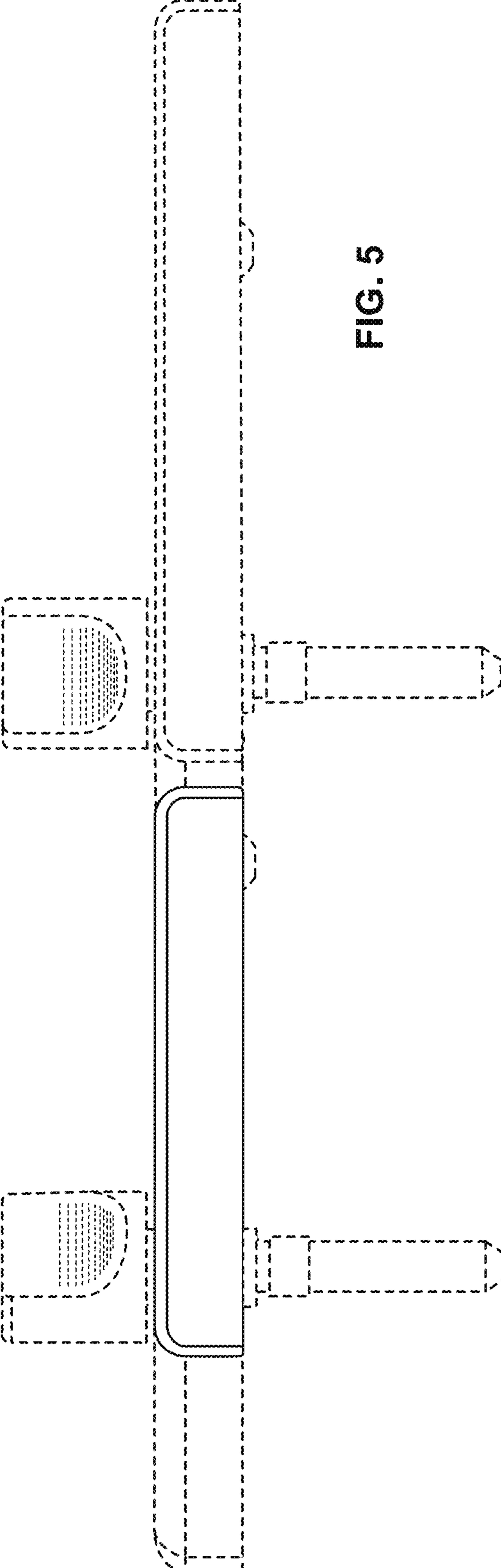


FIG. 5

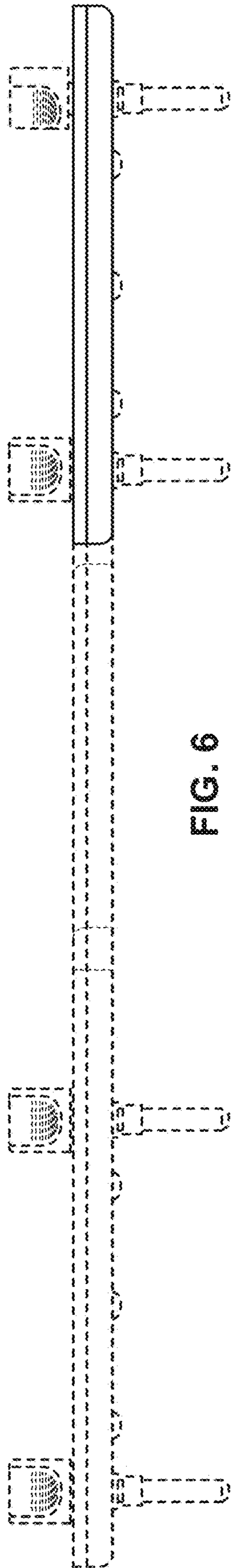


FIG. 6

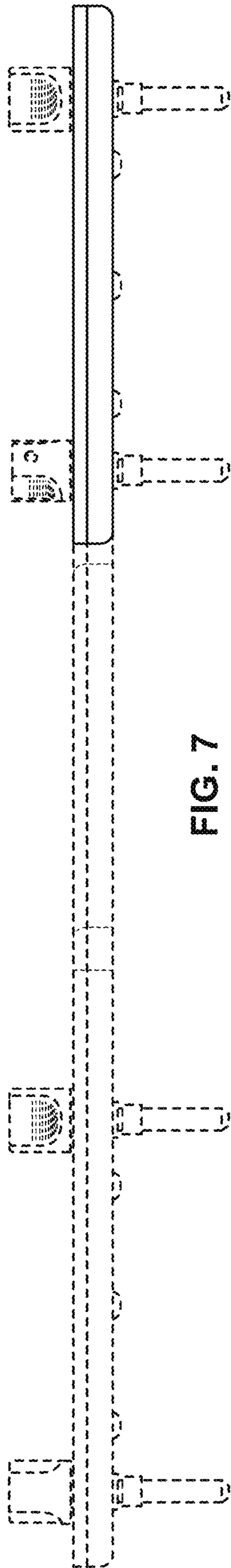


FIG. 7