



US00D876441S

(12) **United States Design Patent** (10) **Patent No.:** **US D876,441 S**  
**Boehmer et al.** (45) **Date of Patent:** **\*\* Feb. 25, 2020**

(54) **ELECTRONIC DEVICE ADAPTER**

(71) Applicant: **Amazon Technologies, Inc.**, Seattle, WA (US)

(72) Inventors: **Keeley Justin Boehmer**, San Francisco, CA (US); **Emmanuel J M Laffon de Mazieres**, Burlingame, CA (US)

(73) Assignee: **Amazon Technologies, Inc.**, Seattle, WA (US)

(\*\*) Term: **15 Years**

(21) Appl. No.: **29/679,873**

(22) Filed: **Feb. 11, 2019**

**Related U.S. Application Data**

(62) Division of application No. 29/585,439, filed on Nov. 23, 2016, now Pat. No. Des. 845,953.

(51) **LOC (12) Cl.** ..... **14-02**

(52) **U.S. Cl.**  
USPC ..... **D14/433**

(58) **Field of Classification Search**  
USPC ..... D13/108; D14/433, 435.1, 432, 358  
CPC ..... H01M 10/44  
See application file for complete search history.

(56) **References Cited**

**U.S. PATENT DOCUMENTS**

D600,652 S	9/2009	Hong et al.	
D680,539 S	4/2013	Kim	
D706,752 S	6/2014	Myung et al.	
D707,180 S	6/2014	Yi et al.	
D730,903 S	6/2015	Langhammer et al.	
D731,489 S	6/2015	Langhammer et al.	
D742,320 S	11/2015	Akana et al.	
D755,790 S	5/2016	Salvatori et al.	
D756,817 S *	5/2016	Fries	D10/78
D784,340 S	4/2017	Laffon de Mazieres et al.	
D788,112 S	5/2017	Liao	

D789,123 S	6/2017	Akana et al.	
D789,935 S	6/2017	Zheng et al.	
D792,409 S	7/2017	Shim	
D794,028 S *	8/2017	Lin	D14/433
D798,301 S	9/2017	Kujawski et al.	
D800,730 S *	10/2017	Liao	D14/433
D813,875 S *	3/2018	Liao	D14/434

(Continued)

**FOREIGN PATENT DOCUMENTS**

CA	166792	11/2016
JP	HJ23037712	10/2011

**OTHER PUBLICATIONS**

The Canadian Office Action dated Nov. 8, 2017 for Canadian design application No. 174166, a counterpart foreign application of design U.S. Appl. No. 29/585,439, 12 pages.

(Continued)

*Primary Examiner* — Cynthia R Underwood  
(74) *Attorney, Agent, or Firm* — Lee & Hayes, P.C.

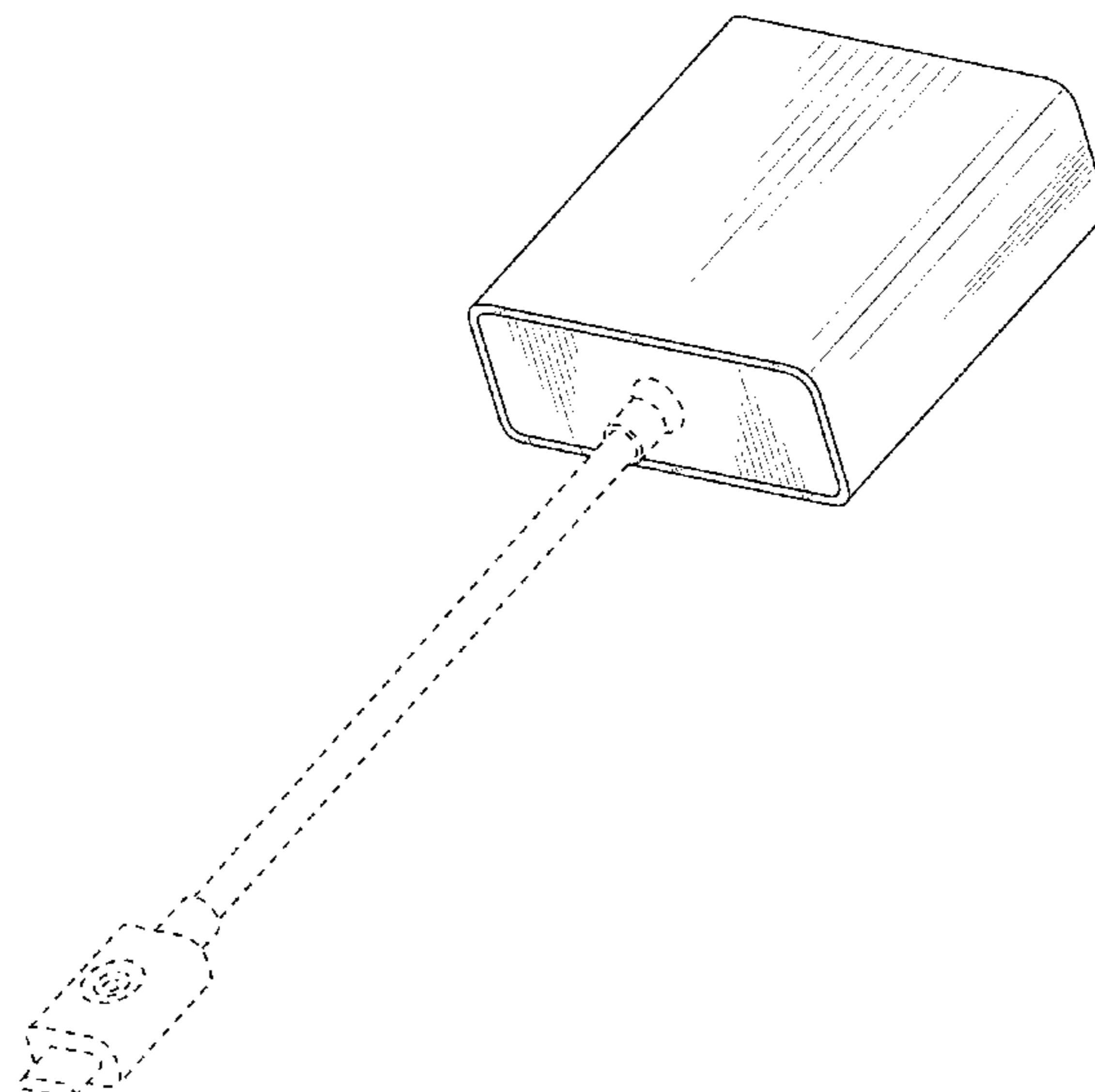
(57) **CLAIM**

The ornamental design for an electronic device adapter, as shown and described.

**DESCRIPTION**

FIG. 1 is a front perspective view of an electronic device adapter;  
FIG. 2 is a back perspective view thereof;  
FIG. 3 is a top view thereof;  
FIG. 4 is a bottom view thereof;  
FIG. 5 is a left-side view thereof;  
FIG. 6 is a right-side view thereof;  
FIG. 7 is a front view thereof; and,  
FIG. 8 is a back view thereof.  
The dashed broken lines depict portions of the electronic device adapter that form no part of the claimed design.

**1 Claim, 7 Drawing Sheets**



(56)

**References Cited**

U.S. PATENT DOCUMENTS

D814,423	S	4/2018	Akana et al.	
D814,471	S *	4/2018	Kim .....	D14/433
D815,639	S *	4/2018	Lau .....	D14/433
D820,264	S *	6/2018	Lai .....	D14/433
10,014,095	B1	7/2018	McHatet	
D828,355	S	9/2018	Xie	
D828,356	S	9/2018	Xie	
D828,839	S *	9/2018	Zhang .....	D14/433
D828,840	S	9/2018	Zhang	
D828,841	S	9/2018	Zhang	
D832,260	S	10/2018	Hutton et al.	
D833,445	S	11/2018	Xie	
D839,876	S *	2/2019	Turksu .....	D14/435.1
D841,007	S *	2/2019	Xie .....	D14/433
D847,139	S *	4/2019	Wang .....	D14/433
D852,797	S *	7/2019	Green .....	D14/433
D853,393	S *	7/2019	McCracken .....	D14/433
D853,394	S *	7/2019	McCracken .....	D14/433
D853,395	S *	7/2019	McCracken .....	D14/433
D853,397	S *	7/2019	Wang .....	D14/435.1
D854,020	S *	7/2019	Liao .....	D14/434
D855,054	S *	7/2019	Turksu .....	D14/433
D856,278	S *	8/2019	Turksu .....	D13/108
D862,385	S *	10/2019	Turksu .....	D13/108
D862,473	S *	10/2019	Liu .....	D14/433
D862,474	S *	10/2019	Liu .....	D14/433
2007/0293079	A1	12/2007	Chao et al.	
2014/0075051	A1	3/2014	Zadesky et al.	

OTHER PUBLICATIONS

The Canadian Office Action dated Nov. 8, 2017 for Canadian design application No. 174167, a counterpart foreign application of design U.S. Appl. No. 29/585,439, 12 pages.

The Canadian Office Action dated Apr. 12, 2018 for Canadian Design Application No. 174167, a counterpart foreign application of Design U.S. Appl. No. 29/585,439, 10 pages.

The Canadian Office Action dated Apr. 12, 2018 for Canadian Design Application No. 174168, a counterpart foreign application of Design U.S. Appl. No. 29/585,439, 3 pages.

The Canadian Office Action dated Dec. 11, 2017 for Canadian Design Application No. 174168, a counterpart foreign application of Design U.S. Appl. No. 29/585,439, 10 pages.

The Chinese Office Action dated Sep. 5, 2017 for Chinese design application No. 201730194893.2, a counterpart foreign application of design U.S. Appl. No. 29/585,439.

The Office Action dated Jun. 8, 2017 for Indian design application No. 293639, a counterpart foreign application of design U.S. Appl. No. 29/585,439, 2 pages.

The Office Action dated Jun. 8, 2017 for Indian Design Application No. 293640, a counterpart foreign application of Design U.S. Appl. No. 29/585,439, 2 pages.

The Office Action dated Jun. 8, 2017 for Indian design application No. 293641, a counterpart foreign application of design U.S. Appl. No. 29/585,439, 2 pages.

Translated the Japanese Office Action dated Mar. 16, 2018 for Japanese Design Application No. 2017-008791, a counterpart foreign application of Design U.S. Appl. No. 29/585,439, 3 pages.

Translated the Japanese Office Action dated Mar. 16, 2018 for Japanese Design Application No. 2017-008792, a counterpart foreign application of Design U.S. Appl. No. 29/585,439, 3 pages.

Translated the Japanese Office Action dated Mar. 16, 2018 for Japanese Design Application No. 2017-008793, a counterpart foreign application of Design U.S. Appl. No. 29/585,439, 3 pages.

Translated the Japanese Office Action dated Sep. 29, 2017 for Japanese Design Application No. 2017-008791, a counterpart foreign application of Design U.S. Appl. No. 29/585,439, 5 pages.

Translated the Japanese Office Action dated Sep. 29, 2017 for Japanese Design Application No. 2017-008792, a counterpart foreign application of Design U.S. Appl. No. 29/585,439, 5 pages.

Translated the Japanese Office Action dated Sep. 29, 2017 for Japanese Design Application No. 2017-008793, a counterpart foreign application of Design U.S. Appl. No. 29/585,439, 5 pages.

The Korean Office Action (Request for Selection) dated Oct. 10, 2017 for Korean design application No. 30-2017-19891 M001, a counterpart foreign application of design U.S. Appl. No. 29/585,439, 2 pages.

The Korean Office Action (Request for Selection) dated Oct. 10, 2017 for Korean design application No. 30-2017-19891 M002, a counterpart foreign application of design U.S. Appl. No. 29/585,439, 2 pages.

The Korean Office Action dated Oct. 10, 2017 for Korean design application No. 30/2017-19891 M001, a counterpart foreign application of design U.S. Appl. No. 29/585,439, 2 pages.

The Korean Office Action dated Oct. 10, 2017 for Korean design application No. 30-2017-19891 M002, a counterpart foreign application of design U.S. Appl. No. 29/585,439, 2 pages.

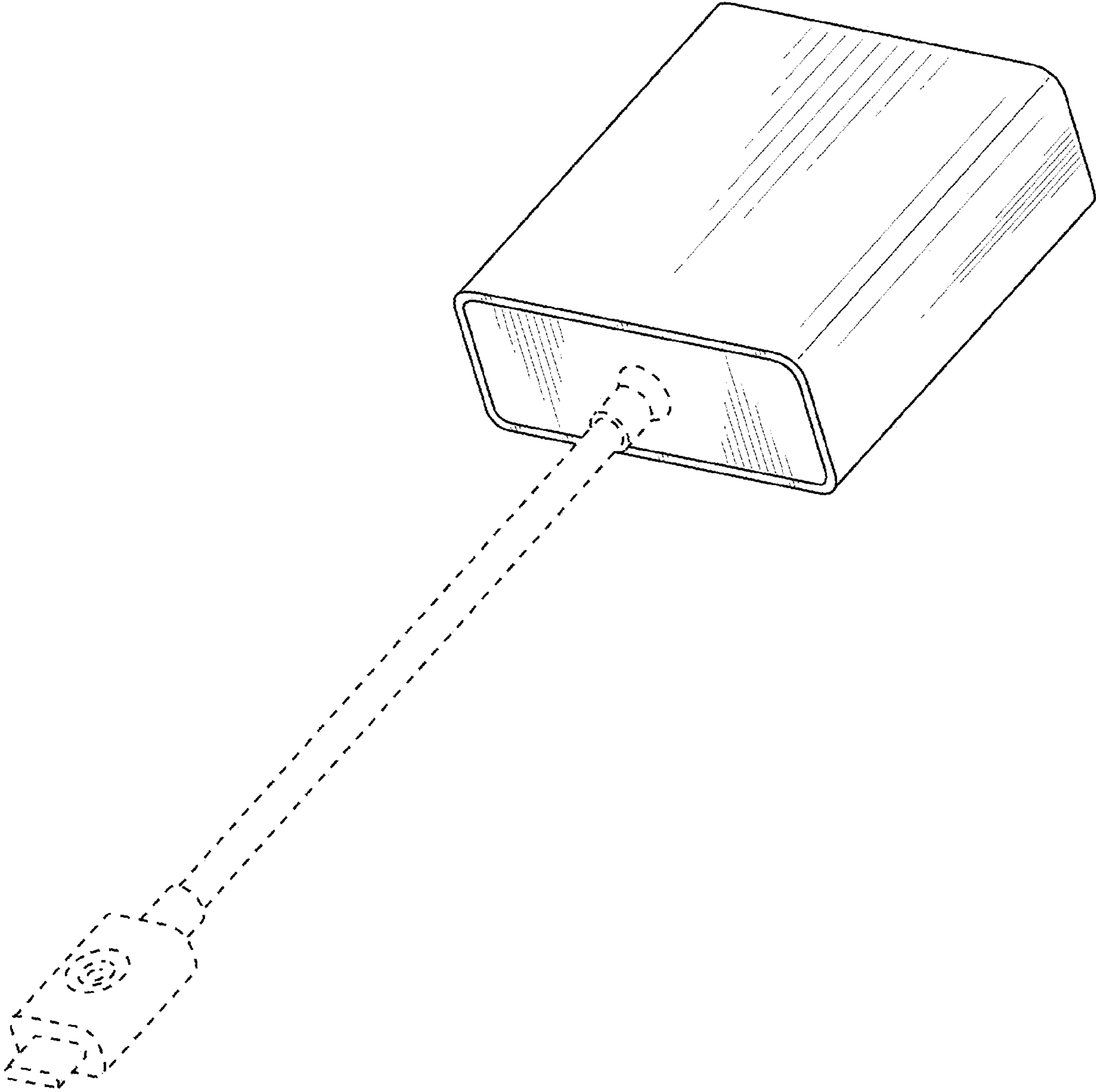
The Korean Office Action dated Oct. 10, 2017 for Korean design application No. 30-2017-19891 M003, a counterpart foreign application of design U.S. Appl. No. 29/585,439, 2 pages.

Teh Indian Hearing Notice dated Jul. 31, 2019, for Indian Design Application No. 293639, 1 pages.

The Indian Hearing Letter dated Jul. 31, 2019 for Indian Patent Application No. 293639, a counterpart of U.S. Pat. No. D. 845,953, 1 page.

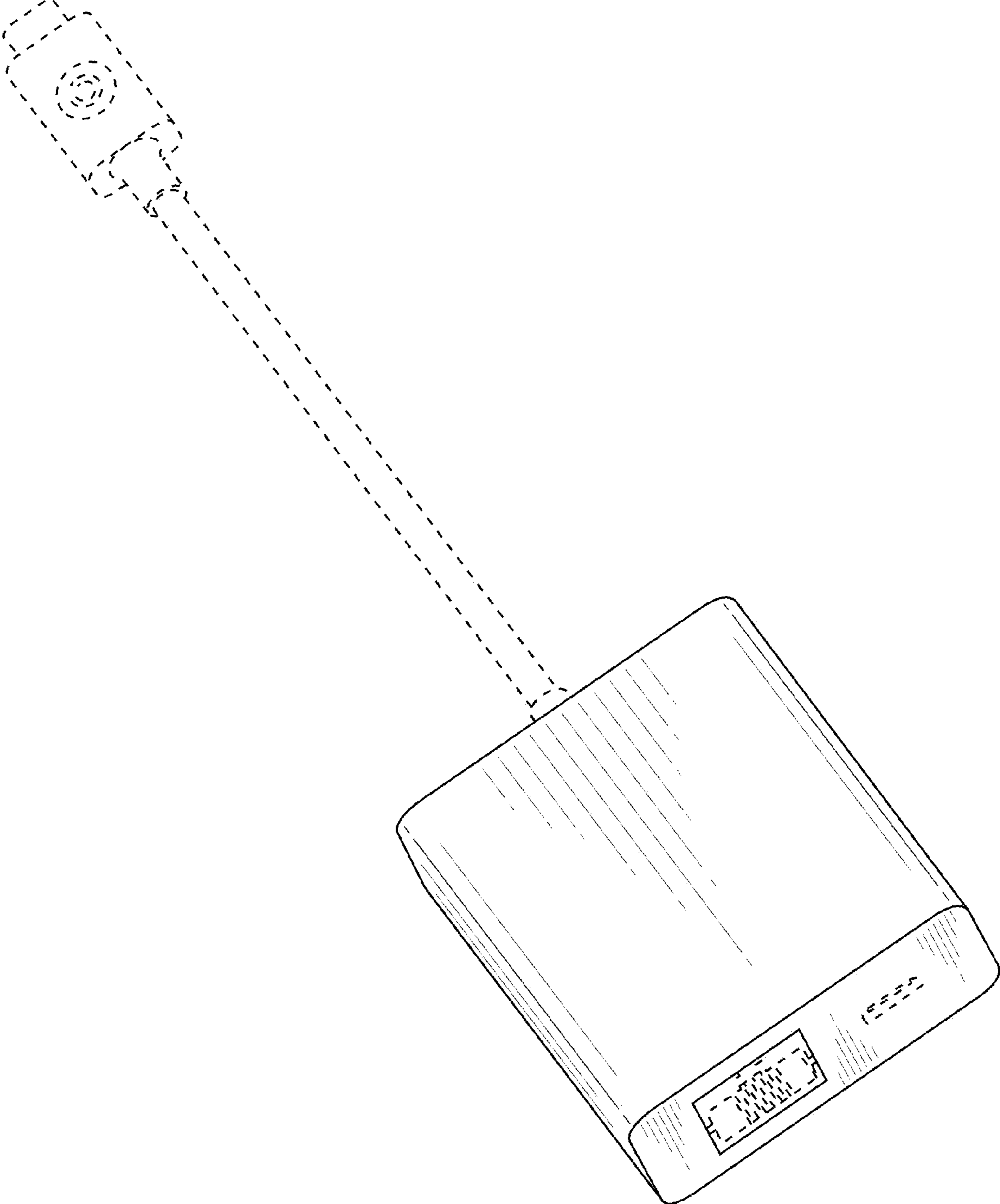
“Terabyte HDMI to VGA Converter Cable with Audio (White)”, retrieved at <[https://www.amazon.in/Terabyte-Converter-Cable-Audio\\_hite/dp/B06X3S6CYZ/ref=sr\\_1\\_192?keywords=electronic+deviceadapter&qid=1559898889&s=gateway&sr=8-192](https://www.amazon.in/Terabyte-Converter-Cable-Audio_hite/dp/B06X3S6CYZ/ref=sr_1_192?keywords=electronic+deviceadapter&qid=1559898889&s=gateway&sr=8-192)>, Amazon, 8 pages.

\* cited by examiner

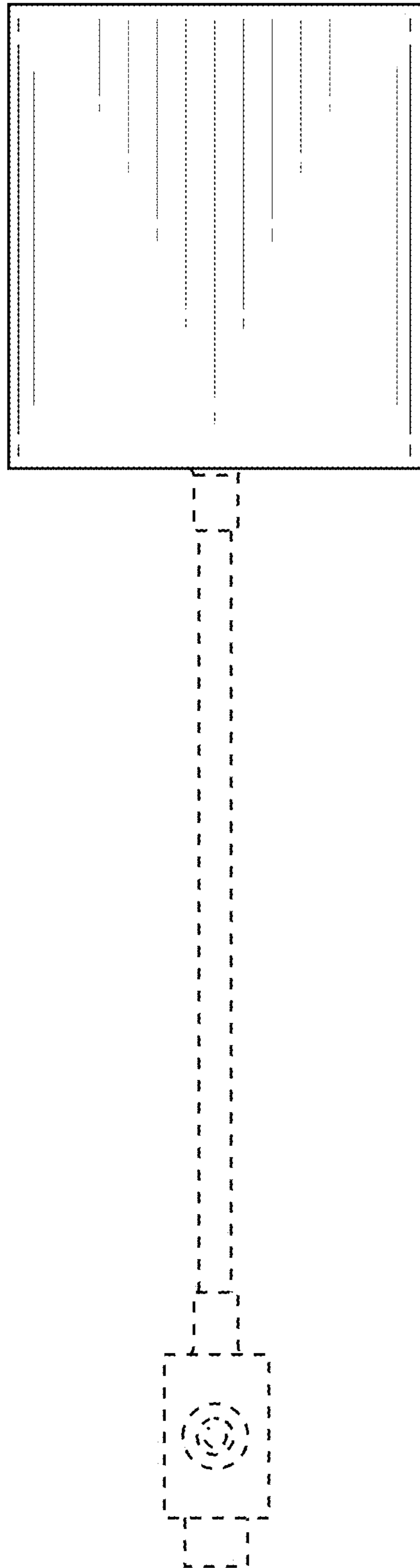


**FIG. 1**

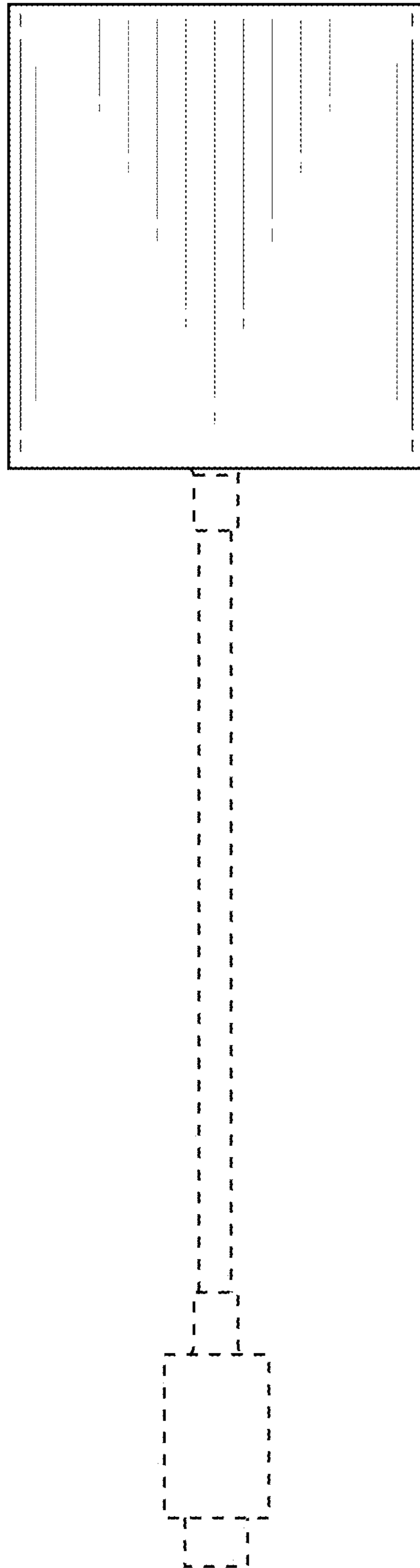




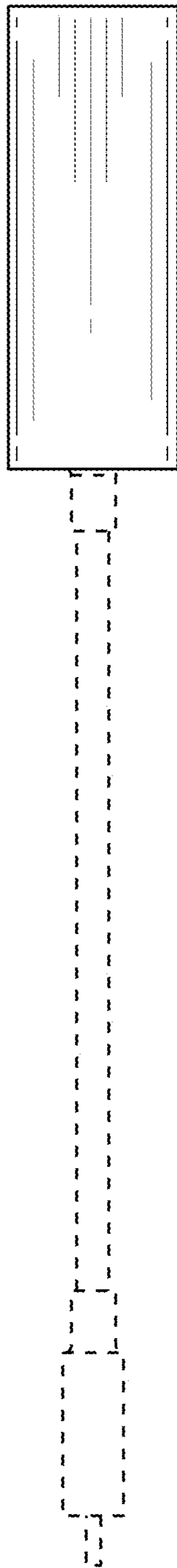
**FIG. 2**



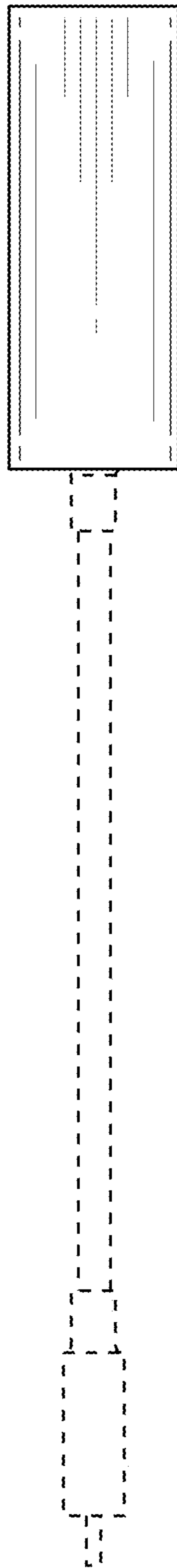
**FIG. 3**



**FIG. 4**

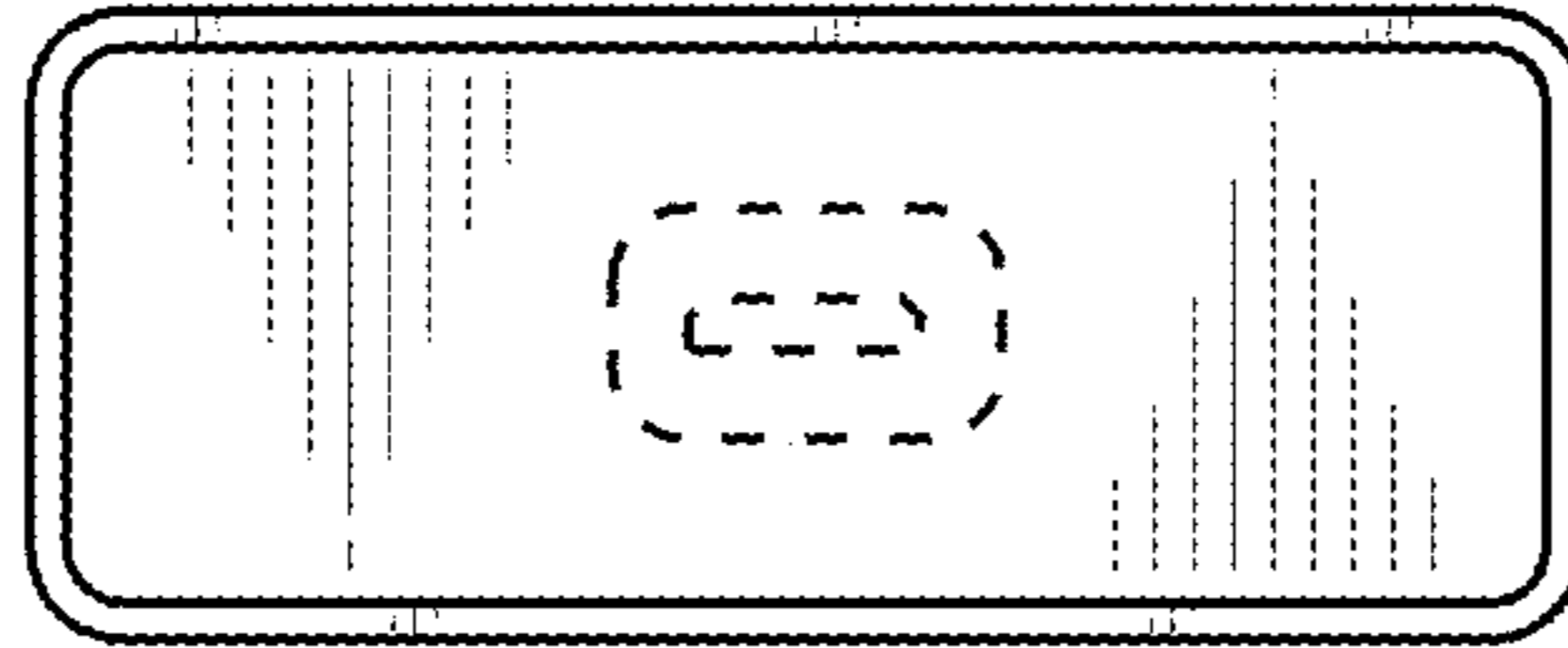


**FIG. 5**

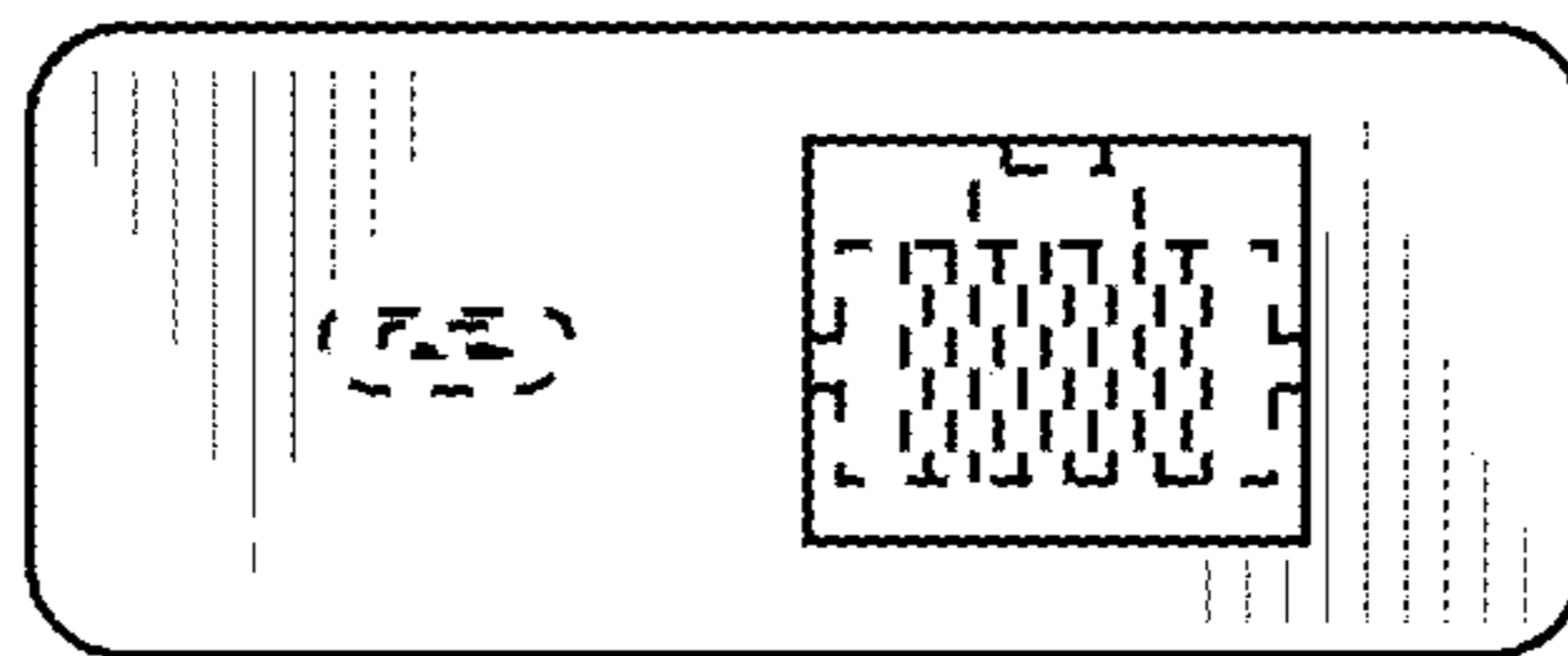


**FIG. 6**





**FIG. 7**



**FIG. 8**