



US00D876440S

(12) **United States Design Patent** (10) **Patent No.:** **US D876,440 S**
Nangeroni et al. (45) **Date of Patent:** **** Feb. 25, 2020**

(54) **POWER ADAPTOR**

5,901,056 A 5/1999 Hung
D417,672 S 12/1999 McIntosh et al.
D424,028 S 5/2000 Vaiani
D433,013 S 10/2000 Goto et al.

(71) Applicant: **A9.COM. INC.**, Seattle, WA (US)

(Continued)

(72) Inventors: **Paul Nangeroni**, San Francisco, CA (US); **Paul Kelley**, San Francisco, CA (US); **Nicholas Reid**, San Francisco, CA (US); **Nathaniel C. Hardison**, San Francisco, CA (US); **Nicholas S. Weaver**, San Francisco, CA (US); **Timothy Amos Schallich**, San Francisco, CA (US)

FOREIGN PATENT DOCUMENTS

CN 303854779 9/2016

(73) Assignee: **A9.COM. Inc.**, Seattle, WA (US)

OTHER PUBLICATIONS

“Eero (2nd-Gen) Review: Better Looks and Even Better Performance”, Eero Network Device Beacon pictured therein, as posted at TheVerge[online], posted Jun. 28, 2017. [site visited Dec. 21, 2017]. Available from the Internet, URL: [https://www.theverge.com/2017, Jan. 4, 2018 00:00:00.0](https://www.theverge.com/2017/Jan/4/2018-00:00:00.0).

(**) Term: **15 Years**

(Continued)

(21) Appl. No.: **29/667,936**

Primary Examiner — Cynthia R Underwood
(74) *Attorney, Agent, or Firm* — Lowenstein Sandler LLP

(22) Filed: **Oct. 25, 2018**

Related U.S. Application Data

(63) Continuation of application No. 29/583,574, filed on Nov. 7, 2016, now Pat. No. Des. 836,114.

(57) **CLAIM**

We claim the ornamental design for a power adaptor, as shown and described.

(51) **LOC (12) Cl.** **14-02**

(52) **U.S. Cl.**
USPC **D14/433**

DESCRIPTION

(58) **Field of Classification Search**
USPC D13/108; D14/433, 435.1, 432, 358
CPC H01M 10/44
See application file for complete search history.

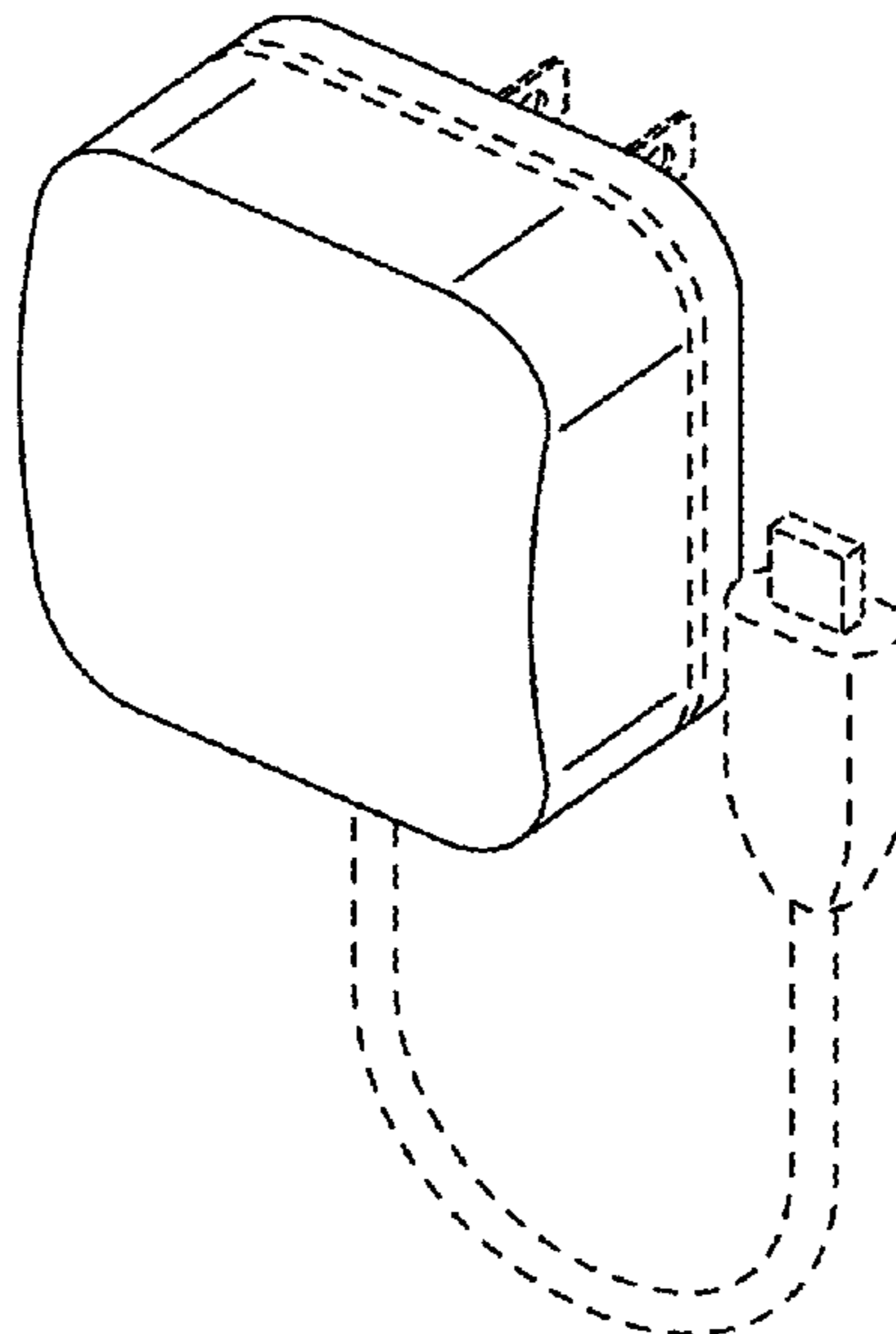
FIG. 1 is an isometric view, from the front right, of the top of the power adaptor;
FIG. 2 is a plan view of the top of the power adaptor;
FIG. 3 is an elevation view of the front of the power adaptor;
FIG. 4 is an elevation view of the right of the power adaptor;
FIG. 5 is an elevation view of the back of the power adaptor;
FIG. 6 is an elevation view of the left of the power adaptor;
FIG. 7 is a plan view of the bottom of the power adaptor;
and,
FIG. 8 is an isometric view, from the bottom left, of the back of the power adaptor.

(56) **References Cited**

U.S. PATENT DOCUMENTS

D258,577 S 3/1981 Bottner
D341,567 S 11/1993 Acker et al.
D350,113 S 8/1994 Nagele
D352,039 S 11/1994 Yurkonis et al.
D359,277 S 6/1995 Yurkonis et al.
D382,251 S 8/1997 Tsui

1 Claim, 2 Drawing Sheets



(56)

References Cited

U.S. PATENT DOCUMENTS

D454,537 S 3/2002 O'Connor et al.
 D456,364 S 4/2002 Suen
 D483,013 S 12/2003 Tsukamoto et al.
 D536,692 S 2/2007 Alwicker et al.
 D569,866 S 5/2008 Turpault et al.
 D571,351 S 6/2008 Sogabe
 D587,269 S 2/2009 Keepports et al.
 D591,749 S 5/2009 Huang et al.
 D593,375 S 6/2009 Shane-Schuldt
 D596,626 S 7/2009 Andre et al.
 D599,738 S 9/2009 Amidei et al.
 D628,153 S 11/2010 Fujii et al.
 D633,237 S 2/2011 Wang et al.
 D645,045 S 9/2011 Cacioppo et al.
 D648,689 S 11/2011 Mehlsen
 D662,904 S 7/2012 Wu et al.
 D667,382 S 9/2012 Cosentino et al.
 D686,201 S 7/2013 Lee
 D711,359 S 8/2014 Marzynski et al.
 D718,271 S 11/2014 McTague et al.
 D718,727 S 12/2014 Burek et al.
 D719,153 S 12/2014 Lim et al.
 D720,335 S 12/2014 Ervin et al.
 D722,983 S 2/2015 Paredes
 D725,614 S 3/2015 Kuh et al.
 D726,106 S 4/2015 Aber et al.
 D727,259 S 4/2015 Hwang
 D729,216 S 5/2015 Peng et al.
 D729,239 S 5/2015 Fukuoka et al.
 D731,470 S 6/2015 Terasawa
 D733,080 S 6/2015 Kuh et al.
 D733,278 S 6/2015 Newlin
 D734,260 S 7/2015 Cypress et al.
 D740,262 S 10/2015 Hasegawa et al.
 D741,796 S 10/2015 Robinson et al.
 D743,359 S 11/2015 Tatem et al.
 D743,962 S 11/2015 Ikeda
 D753,639 S 4/2016 Marzynski et al.
 D754,751 S 4/2016 Kusano et al.
 D756,817 S * 5/2016 Fries D10/78
 D757,728 S 5/2016 Schoeck et al.
 D757,729 S 5/2016 Schoeck et al.
 D761,202 S 7/2016 Aber
 D762,215 S 7/2016 Luttrell
 D763,789 S 8/2016 McHatet
 D764,460 S 8/2016 Veja et al.
 D765,073 S 8/2016 Niizawa
 D765,140 S 8/2016 Peng et al.
 D766,193 S 9/2016 Desagre et al.
 D767,486 S 9/2016 Yu
 D768,589 S 10/2016 Shin
 D772,442 S 11/2016 Burke
 D773,947 S 12/2016 Scarcella et al.
 D777,724 S 1/2017 Sterzick et al.
 D778,889 S 2/2017 Nagao
 D781,796 S 3/2017 Sibley et al.
 D782,429 S 3/2017 Xianda et al.
 D785,608 S 5/2017 Weaver et al.

D787,463 S 5/2017 Maxwell et al.
 D794,028 S * 8/2017 Lin D14/433
 D796,437 S * 9/2017 Banayan D13/110
 D797,665 S 9/2017 Champaign et al.
 D798,301 S 9/2017 Kujawski et al.
 D800,730 S * 10/2017 Liao D14/433
 D805,482 S 12/2017 McRoberts et al.
 D807,621 S 1/2018 Davis et al.
 D807,822 S * 1/2018 Senff D13/110
 D813,212 S 3/2018 Nangeroni et al.
 D813,875 S * 3/2018 Liao D14/434
 D814,471 S * 4/2018 Kim D14/433
 D815,096 S 4/2018 Ebrahimi Afrouzi et al.
 D815,639 S * 4/2018 Lau D14/433
 D820,264 S 6/2018 Lai et al.
 D828,839 S * 9/2018 Zhang D14/433
 D839,876 S * 2/2019 Turksu D14/435.1
 D841,007 S * 2/2019 Xie D14/433
 D847,139 S * 4/2019 Wang D14/433
 D852,797 S * 7/2019 Green D14/433
 D853,393 S * 7/2019 McCracken D14/433
 D853,394 S * 7/2019 McCracken D14/433
 D853,395 S * 7/2019 McCracken D14/433
 D853,397 S * 7/2019 Wang D14/435.1
 D854,018 S * 7/2019 Liao D14/434
 D854,020 S * 7/2019 Liao D14/434
 D855,054 S * 7/2019 Turksu D14/433
 D856,278 S * 8/2019 Turksu D13/108
 D862,385 S * 10/2019 Turksu D13/108
 D862,473 S * 10/2019 Liu D14/433
 D862,474 S * 10/2019 Liu D14/433
 2015/0362668 A1 12/2015 McDonald et al.
 2016/0226707 A1 8/2016 Schallich et al.

OTHER PUBLICATIONS

“Beacon and Bluetooth LE Management Through WiFi Hub: Netclearance Launches Gateway”, Netclearance WiFi Gateway for Bluetooth LE Beacons pictured therein, as posted at Beekin.net [online], posted Dec. 19, 2013, [site visited Dec. 21, 2017]. Available from th, Jan. 4, 2018 00:00:00.0.
 “Eero is the home WiFi solution I’ve been waiting for. engadget.com [online] 17 pages. Posted Feb. 23, 2016 [retrieved on May 3, 2017] <https://www.engadget.com/2016/02/23/eero-is-the-home-wifi-solution-ive-been-waiting-for/>”, Jan. 4, 2018 00:00:00.0.
 “Eero technology, no date available, [online], [site visited Oct. 25, 2016]. Retrieved from”, Jan. 25, 2017 00:00:00.0.
 “Introducing eero. Finally, WiFi that works, Published Jan. 31, 2015, Youtube.com, [online], [site visited Oct. 28, 2016]. Retrieved from”, Jan. 25, 2017 00:00:00.0.
 “Netgear ProSAFE Dual Band Wireless-N Enterprise Access Point (WNDAP360-1--NAS), Jun. 9, 2011, [online], site visited Oct. 25, 2016]. Retrieved from”, Jan. 25, 2017 00:00:00.0.
 “The wireless router reinvented:Eero brings mesh networking to consumer WiFi.pcworld.com. [online] 7 pages. Posted Feb. 3, 2015 [Retreived on Dec. 19, 2017] <https://www.pcworld.com/article/2878983/home-networking/the-wireless-router-reinvented-eero-brigs-mesh-n/>”, Jan. 4, 2018 00:00:00.0.

* cited by examiner

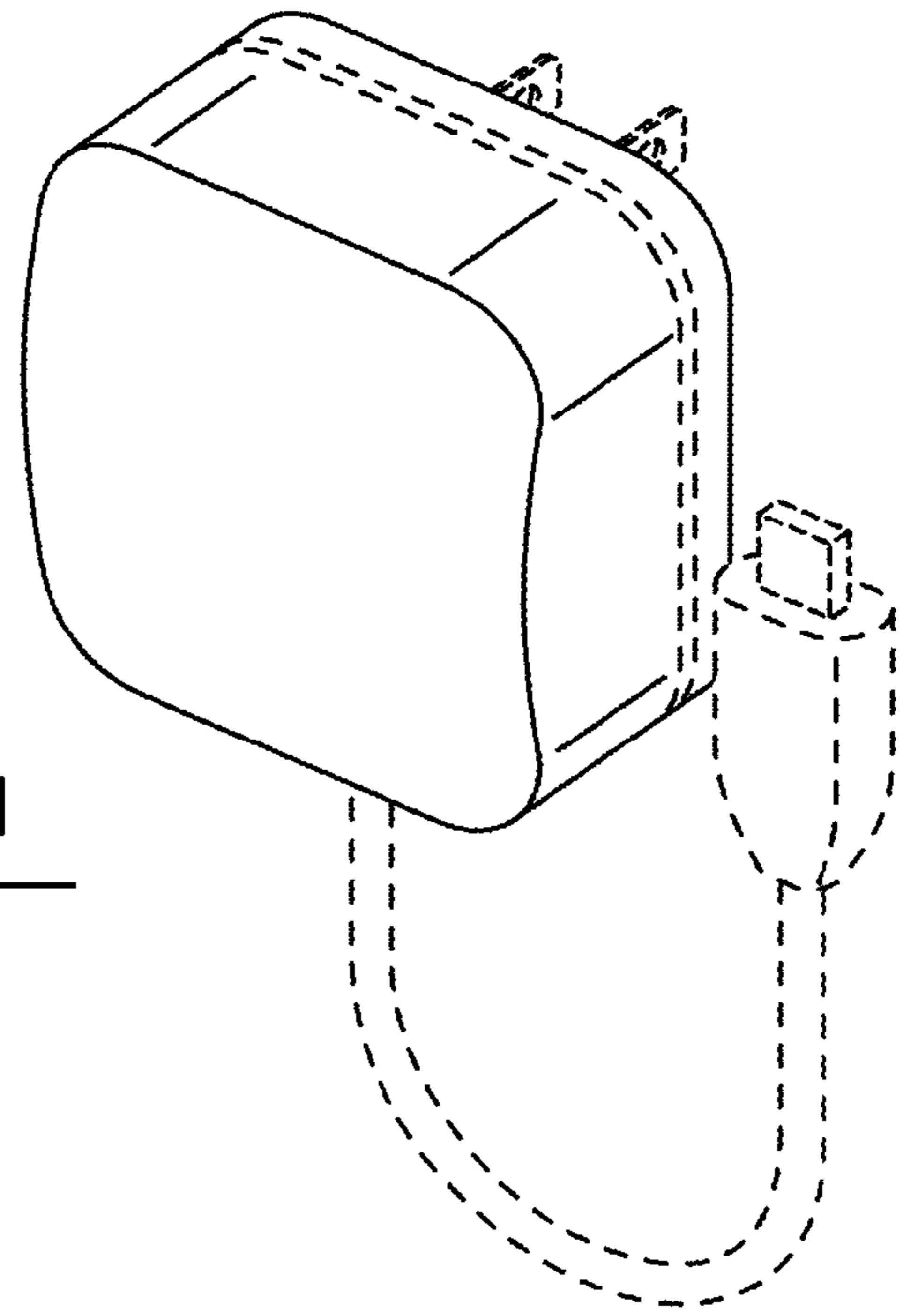


FIG. 1

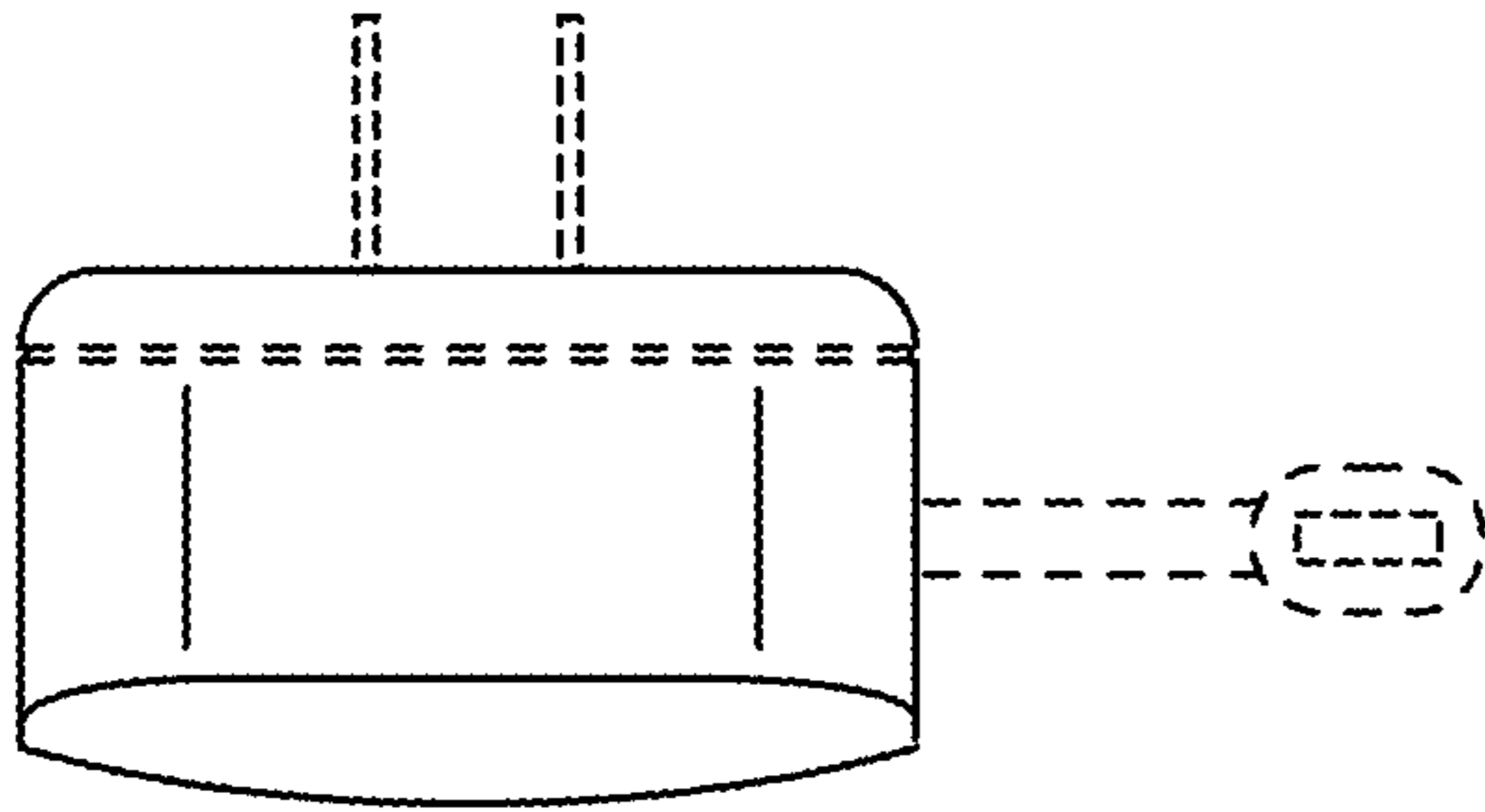


FIG. 2

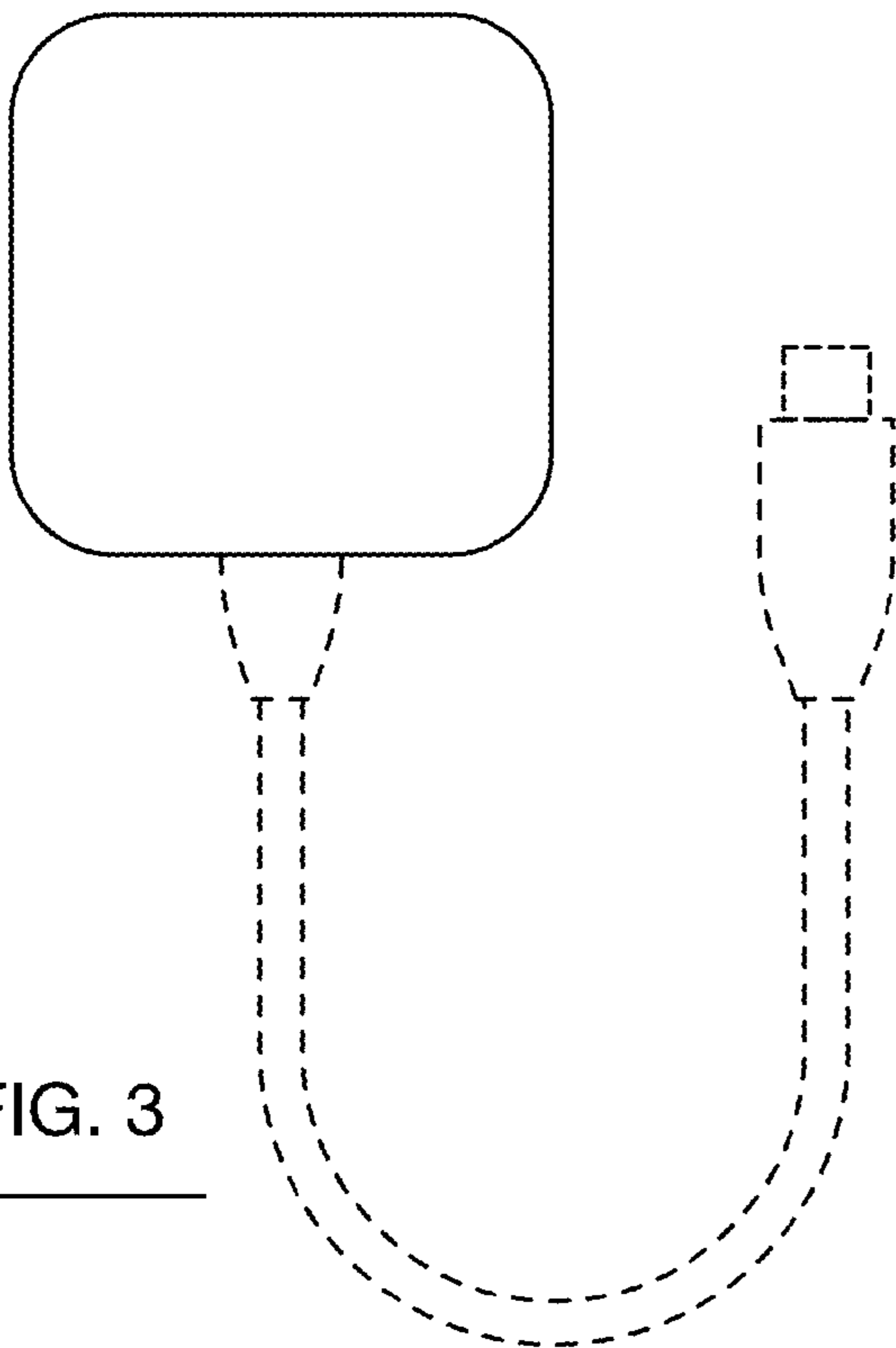


FIG. 3

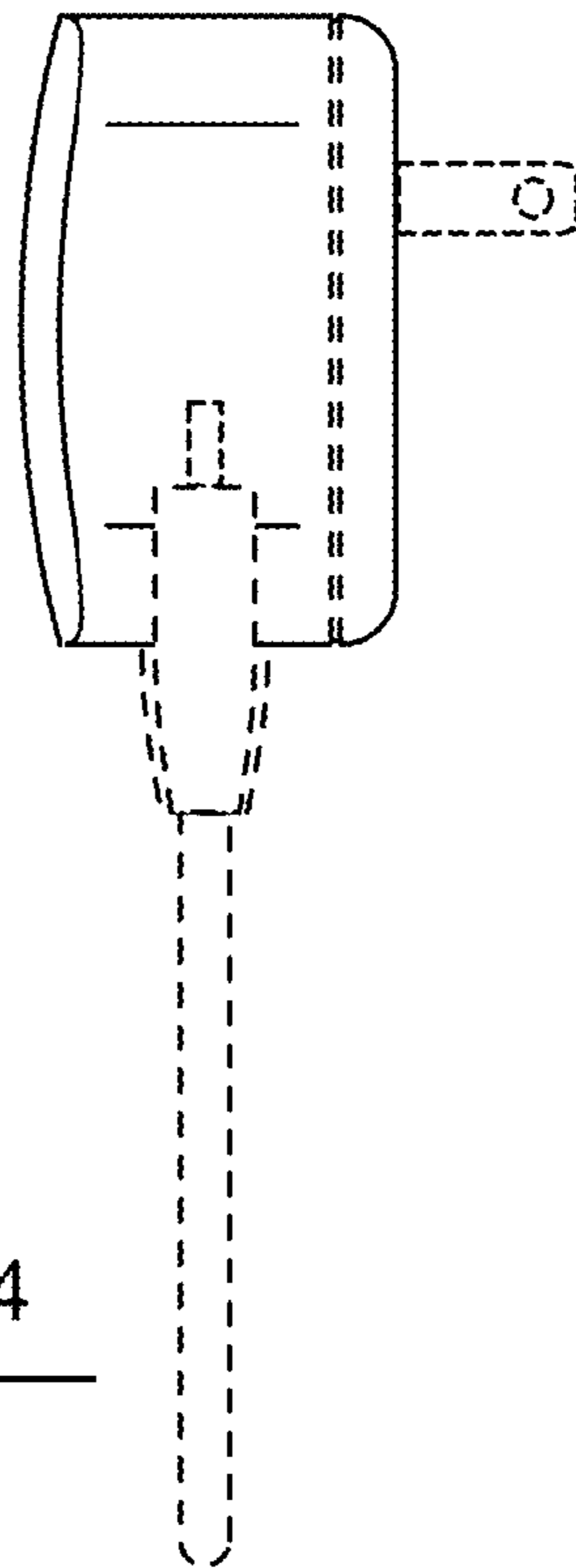


FIG. 4

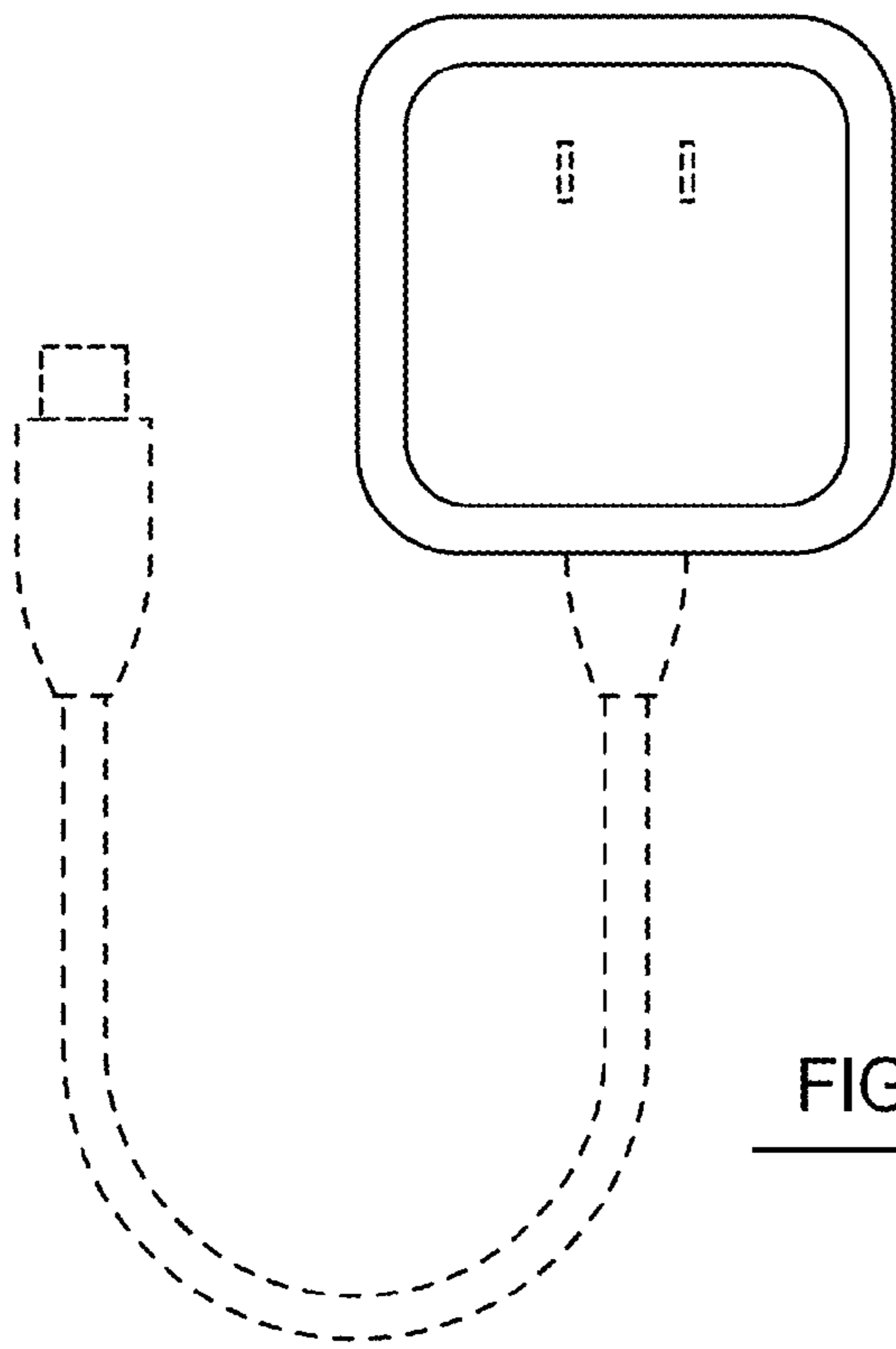


FIG. 5

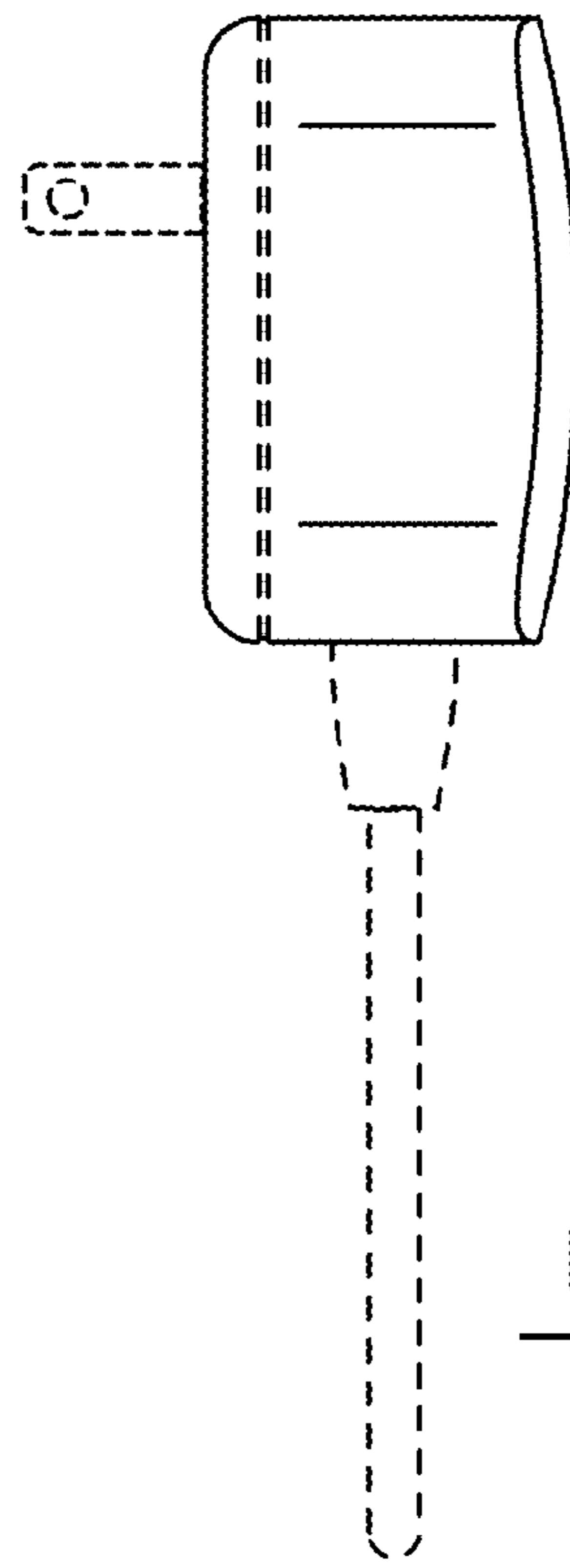


FIG. 6

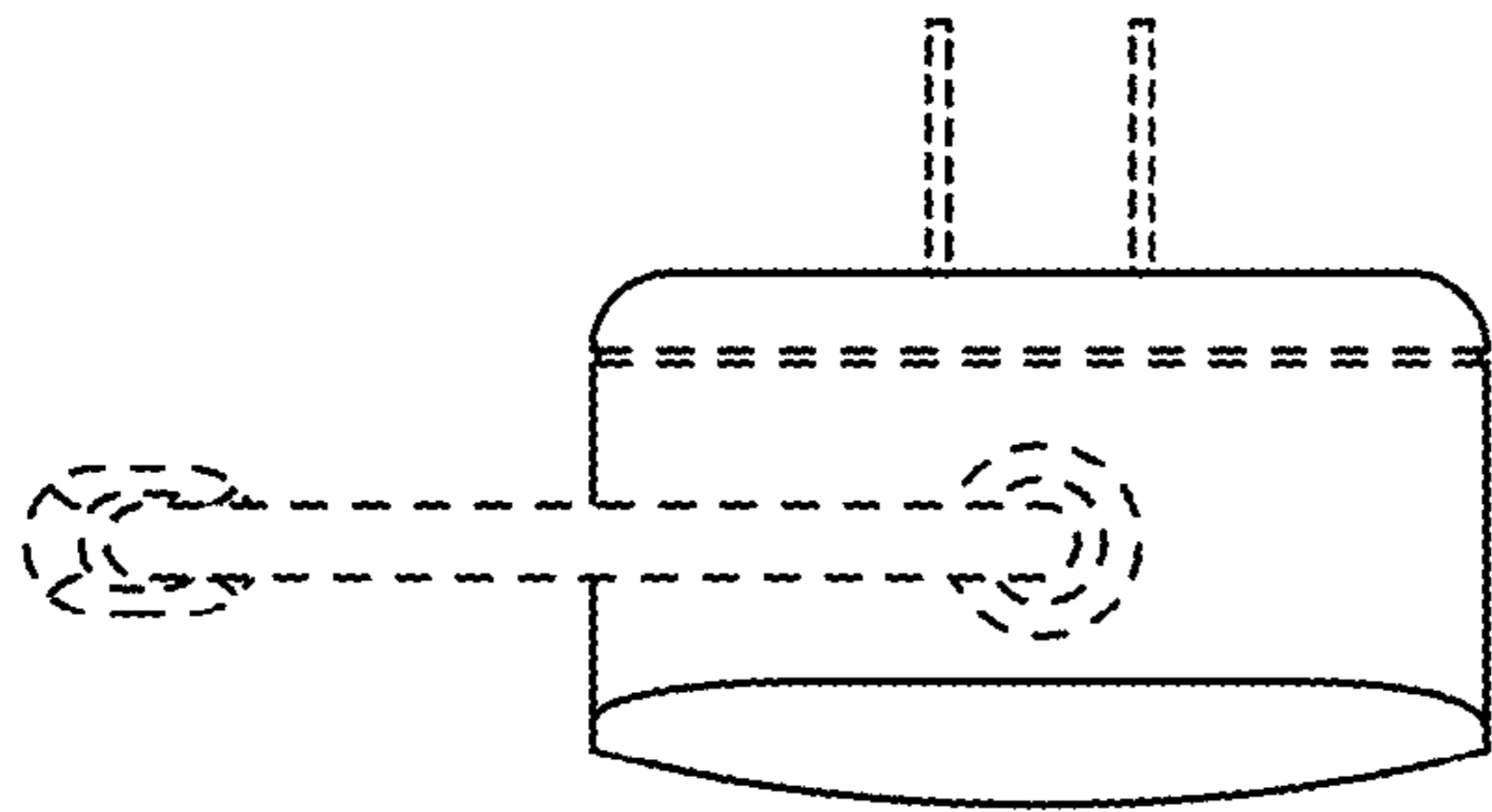


FIG. 7

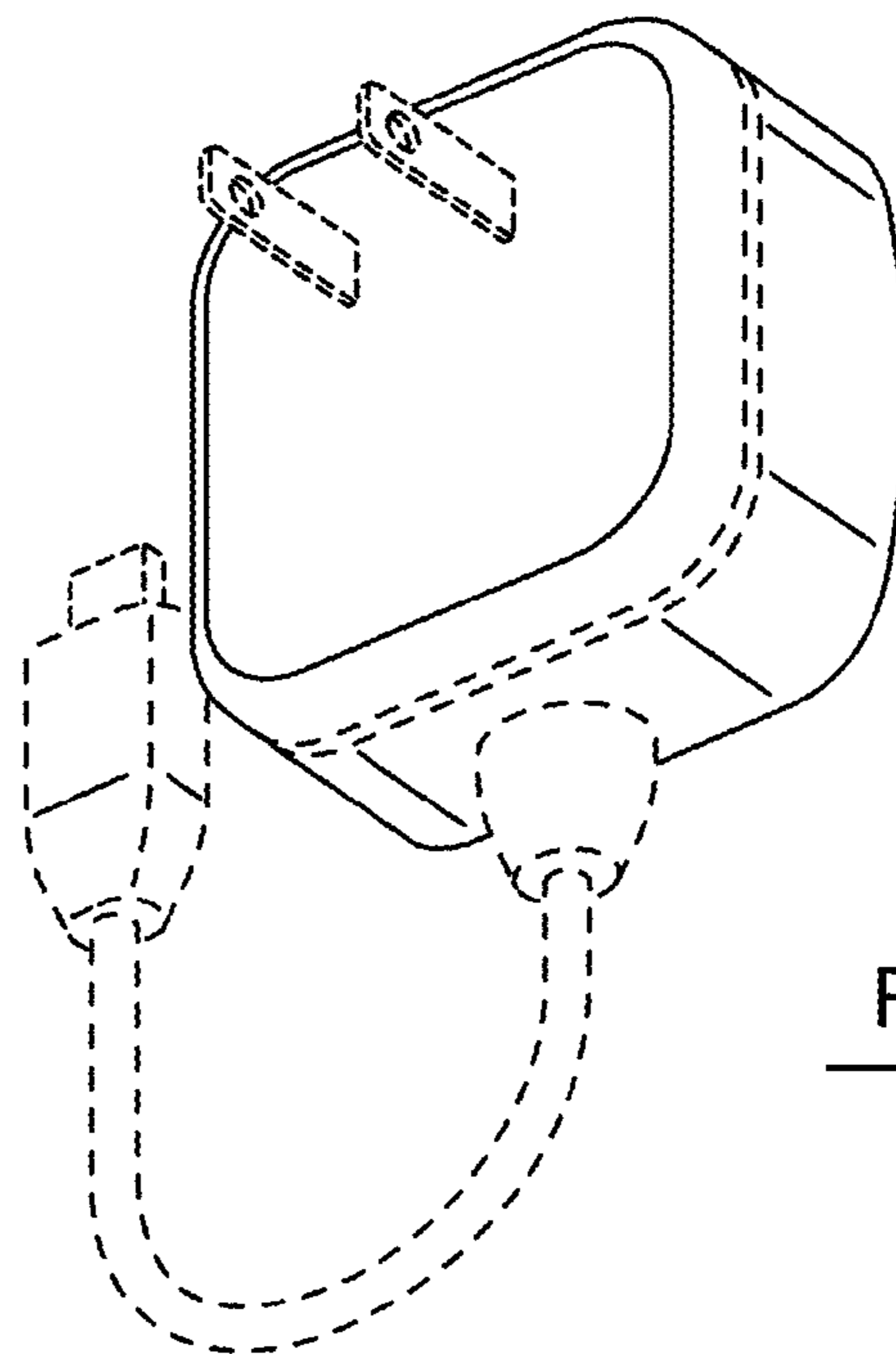


FIG. 8