



US00D876437S

(12) **United States Design Patent** (10) **Patent No.:** **US D876,437 S**  
**Bhat et al.** (45) **Date of Patent:** **\*\* Feb. 25, 2020**

(54) **SCANNER**

7/10673; G06K 7/10702; G06K 7/10792;  
G06K 7/10633; G06K 7/10653; G06K  
7/10891;

(71) Applicant: **Hewlett-Packard Development  
Company, L.P.**, Houston, TX (US)

(Continued)

(72) Inventors: **Siddhartha Bhat**, Palo Alto, CA (US);  
**Arthur Harvey Zarnowitz**, Palo Alto,  
CA (US); **David N. Skinner**, Palo Alto,  
CA (US); **Glenn A. Wong**, Palo Alto,  
CA (US)

(56) **References Cited**

U.S. PATENT DOCUMENTS

D620,512 S \* 7/2010 Kao ..... D16/202  
D629,943 S \* 12/2010 Nelson ..... D26/60

(Continued)

(73) Assignee: **Hewlett-Packard Development  
Company, L.P.**, Spring, TX (US)

*Primary Examiner* — Susan Moon Lee

(74) *Attorney, Agent, or Firm* — HP Inc. Patent  
Department

(\*\*) Term: **15 Years**

(21) Appl. No.: **29/632,351**

(57) **CLAIM**

The ornamental design for a scanner, as shown and  
described.

(22) Filed: **Jan. 7, 2018**

(51) **LOC (12) Cl.** ..... **14-02**

(52) **U.S. Cl.**  
USPC ..... **D14/420**

(58) **Field of Classification Search**

USPC ..... D14/420, 426–439, 453, 356–358,  
D14/383–385, 217, 474, 480.1–480.7,  
D14/483, 484.1; 235/462.01, 462.11,  
235/462.43, 462.45, 462.49, 472.01, 385,  
235/454, 440, 462.13, 439, 492, 380, 375,  
235/486, 382, 451, 487, 381, 441, 472.02,  
235/472.03, 462.47, 462.41, 462.46, 493;  
382/313, 321, 318; 358/473, 474, 483;  
250/215, 216; D26/37–50, 24, 60–67;  
362/157, 158, 171–174, 183–208, 249.07,  
362/249.09, 249.11; 396/427; D18/4.6;  
D13/158, 162, 171, 147, 164, 108, 110,  
D13/103; 710/73; D16/200, 202, 203,  
D16/208, 211, 212, 219, 237, 239, 130,  
D16/134, 136  
CPC ..... G06K 7/10584; G06K 7/10613; G06K  
7/10881; G06K 7/109; G06K 7/10693;  
G06K 7/10871; G06K 7/1096; G06K  
7/10; G06K 7/10546; G06K 7/10594;  
G06K 7/10603; G06K 7/10663; G06K

**DESCRIPTION**

FIG. 1 is a bottom, front, left-side perspective view of an  
embodiment of a scanner in accordance with our new  
design;

FIG. 2 is a top, rear, right-side perspective view of the  
scanner shown in FIG. 1;

FIG. 3 is a front elevational view of the scanner shown in  
FIG. 1;

FIG. 4 is a rear elevational view of the scanner shown in  
FIG. 1;

FIG. 5 is a left-side elevational view of the scanner shown  
in FIG. 1;

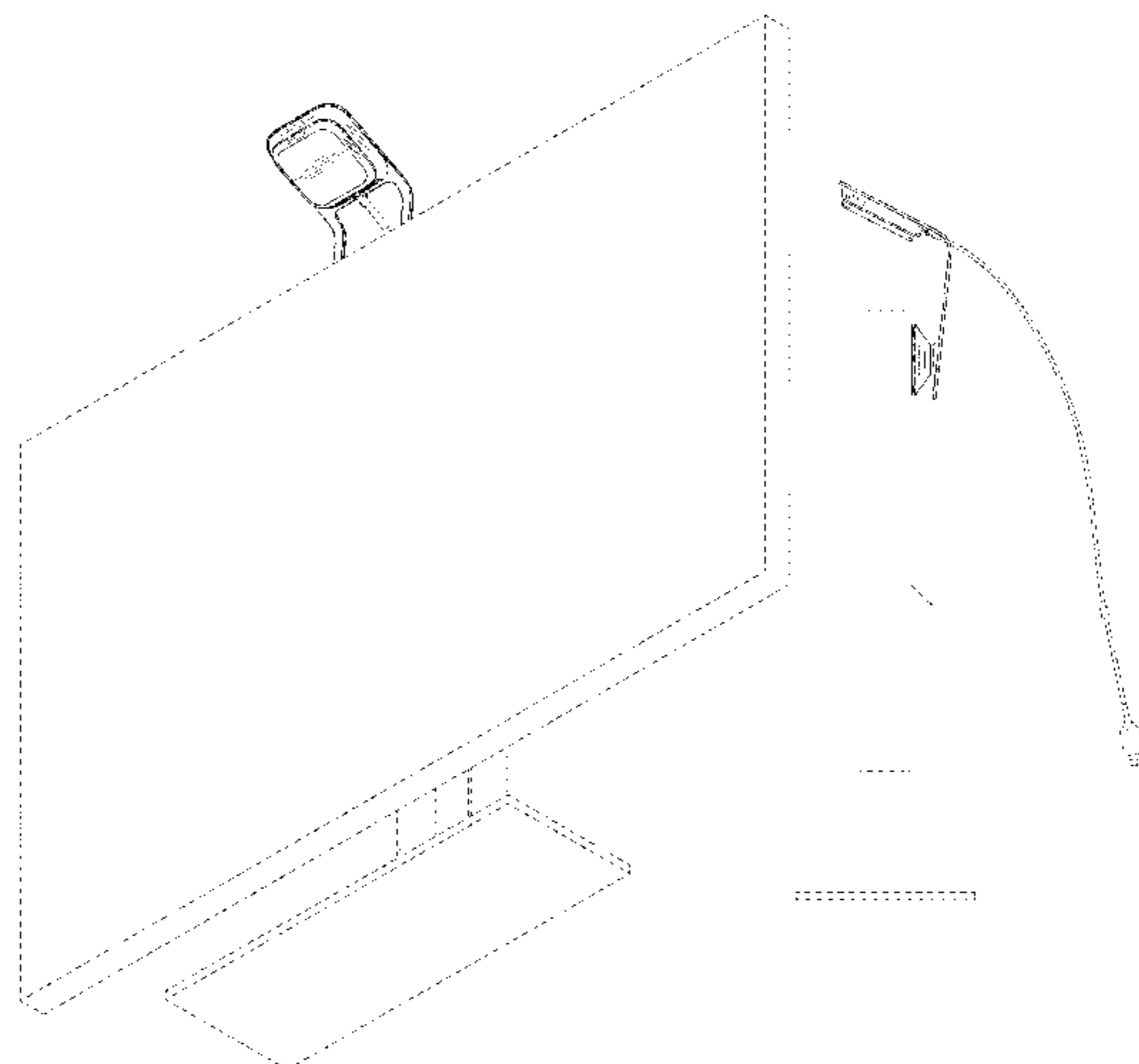
FIG. 6 is a right-side elevational view of the scanner shown  
in FIG. 1;

FIG. 7 is a top plan view of the scanner shown in FIG. 1;  
and,

FIG. 8 is a bottom plan view of the scanner shown in FIG.  
1.

The broken lines are directed to environment and are for  
illustrative purposes only and form no part of the claimed  
design.

**1 Claim, 6 Drawing Sheets**



**(58) Field of Classification Search**

CPC .... G06K 7/14; G06K 7/1443; G06K 7/10811;  
 G06K 7/10851; G06K 7/10861; G06K  
 2207/1011; G06K 2207/1012; G06K  
 2207/1013; G06K 2207/1016; G06K  
 2207/1017; G06K 2207/1018; G06K  
 2207/10534; G06K 17/0022; G06K 7/12;  
 G06K 7/1097; G06K 7/1098; G06K  
 7/1091; G06K 7/10623; G06K  
 2007/10524; G06K 19/0614; A47F 9/046;  
 A47F 9/047; G07G 1/0045; G04N  
 5/23238; G04N 5/2252; G04N 5/2251;  
 G03B 17/02; B25H 5/00; B66F 7/28;  
 G02B 26/10; G02B 26/106; G07F  
 11/002; G07F 11/02; G06Q 20/343;  
 G06Q 30/0185; G06F 2203/0331; G06F  
 1/1696; G06F 1/1632; G06F 1/1656;  
 G06F 1/1658; G06F 1/1684; G06F  
 1/1698; G06F 1/1626; G06F 1/163; G06F  
 3/00; G06F 3/002; H04N 1/107; H04N  
 1/00127; H04N 1/00204; H04N 1/2201;  
 H04N 2201/007; H04N 2201/0072; H04N  
 2201/0074; H04N 2201/0015; H04N  
 2201/0075; H04N 2201/0077; H04N  
 2201/0079; H04N 2201/0081; H04N  
 2201/0096; H04N 2201/0051; H04N  
 2201/0053; F21W 2131/3005; F21L 4/04;  
 F21V 21/0885; F21V 21/32; F21Y  
 2115/10

See application file for complete search history.

**(56)**

**References Cited**

U.S. PATENT DOCUMENTS

D630,357	S *	1/2011	Chang	.....	D26/60
D630,358	S *	1/2011	Nelson	.....	D26/60
D636,916	S *	4/2011	Nelson	.....	D26/60
D636,917	S *	4/2011	Nelson	.....	D26/60
D641,770	S *	7/2011	Hoehn	.....	D16/202
D642,312	S *	7/2011	Rothman	.....	D26/60
D648,883	S *	11/2011	Levine	.....	D26/60
D669,112	S *	10/2012	Gustaveson	.....	D16/208
D815,326	S *	4/2018	Waldmann	.....	D26/60
D816,149	S *	4/2018	Dalton	.....	D16/237
D835,318	S *	12/2018	Kaluza	.....	D26/60
10,423,197	B2 *	9/2019	Wong	.....	G06F 1/1696
2007/0177373	A1 *	8/2007	Zeller	.....	F21V 21/088 362/109
2007/0242213	A1 *	10/2007	Grillo	.....	A45C 11/04 351/141
2008/0049416	A1 *	2/2008	Fisherman	.....	B42D 3/123 362/98
2010/0078928	A1 *	4/2010	Mercieca	.....	A47B 23/043 281/42
2010/0084529	A1 *	4/2010	Depay	.....	F16M 11/10 248/229.22
2010/0214469	A1 *	8/2010	Duncan	.....	F16M 11/10 348/373
2011/0164410	A1 *	7/2011	Hebenstreit	.....	F21V 33/0052 362/154
2011/0267807	A1 *	11/2011	Nelson	.....	F16M 11/10 362/197
2012/0002405	A1 *	1/2012	Nelson	.....	F21L 4/04 362/191

\* cited by examiner

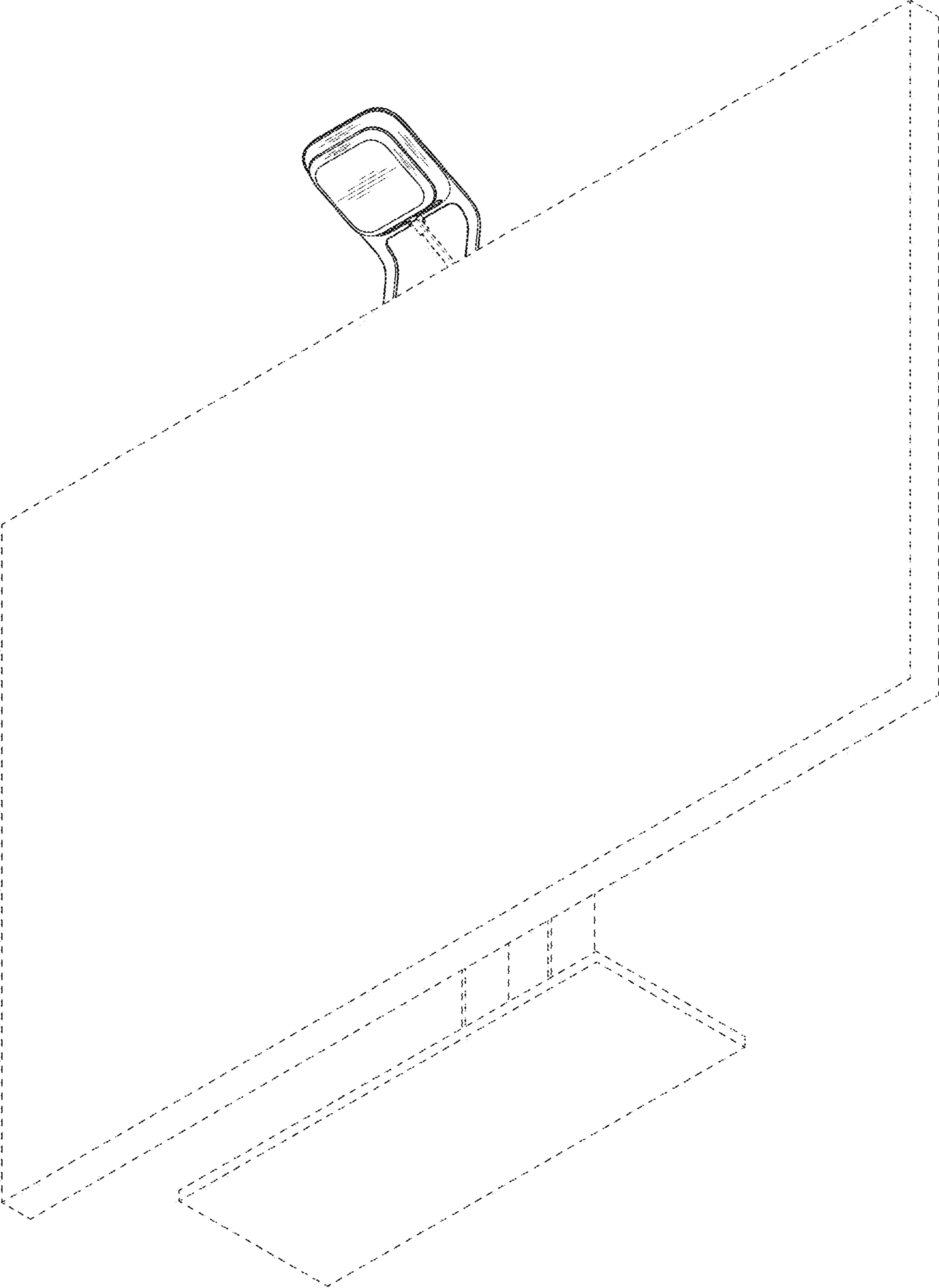


FIG. 1

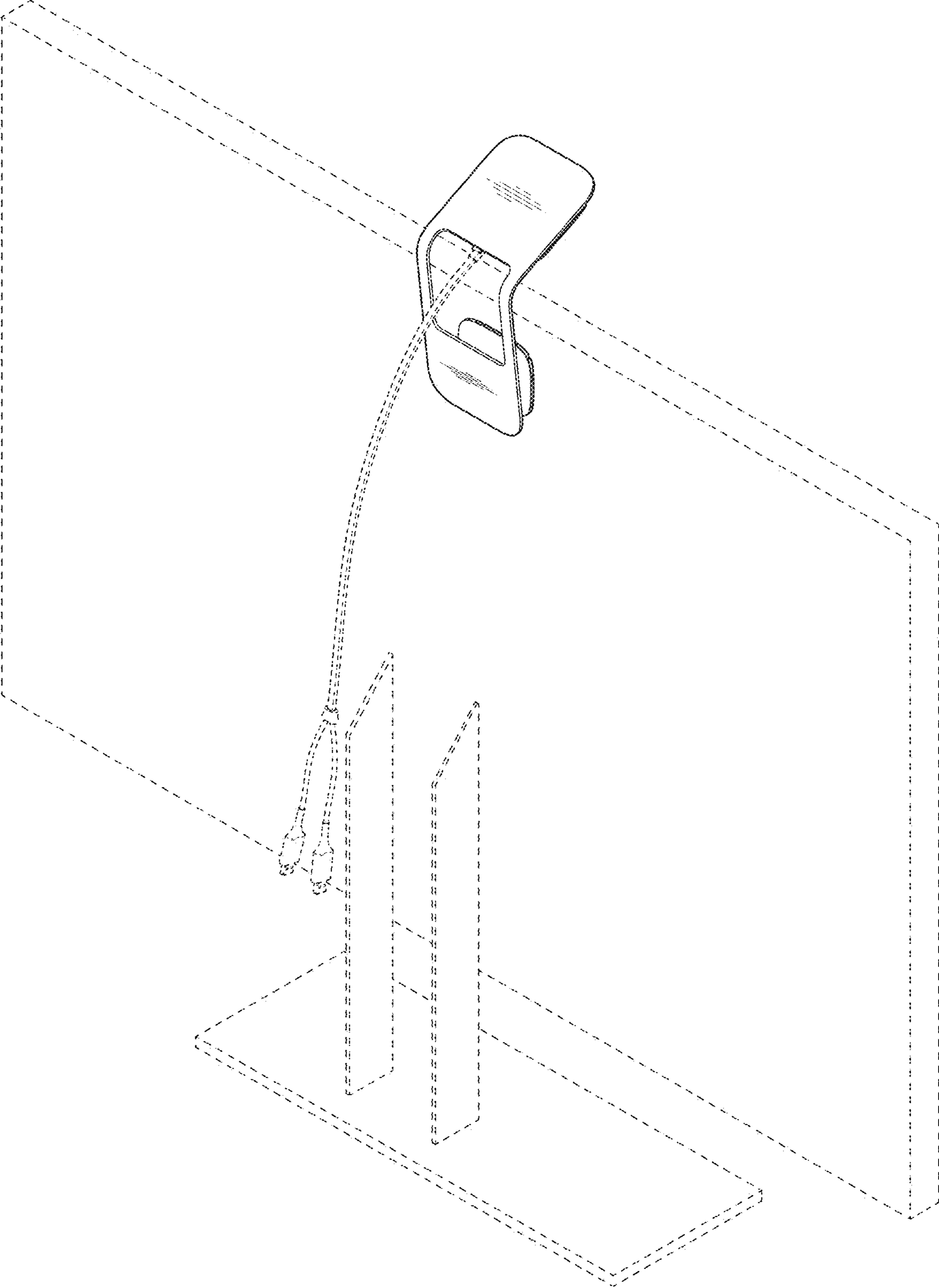


FIG. 2

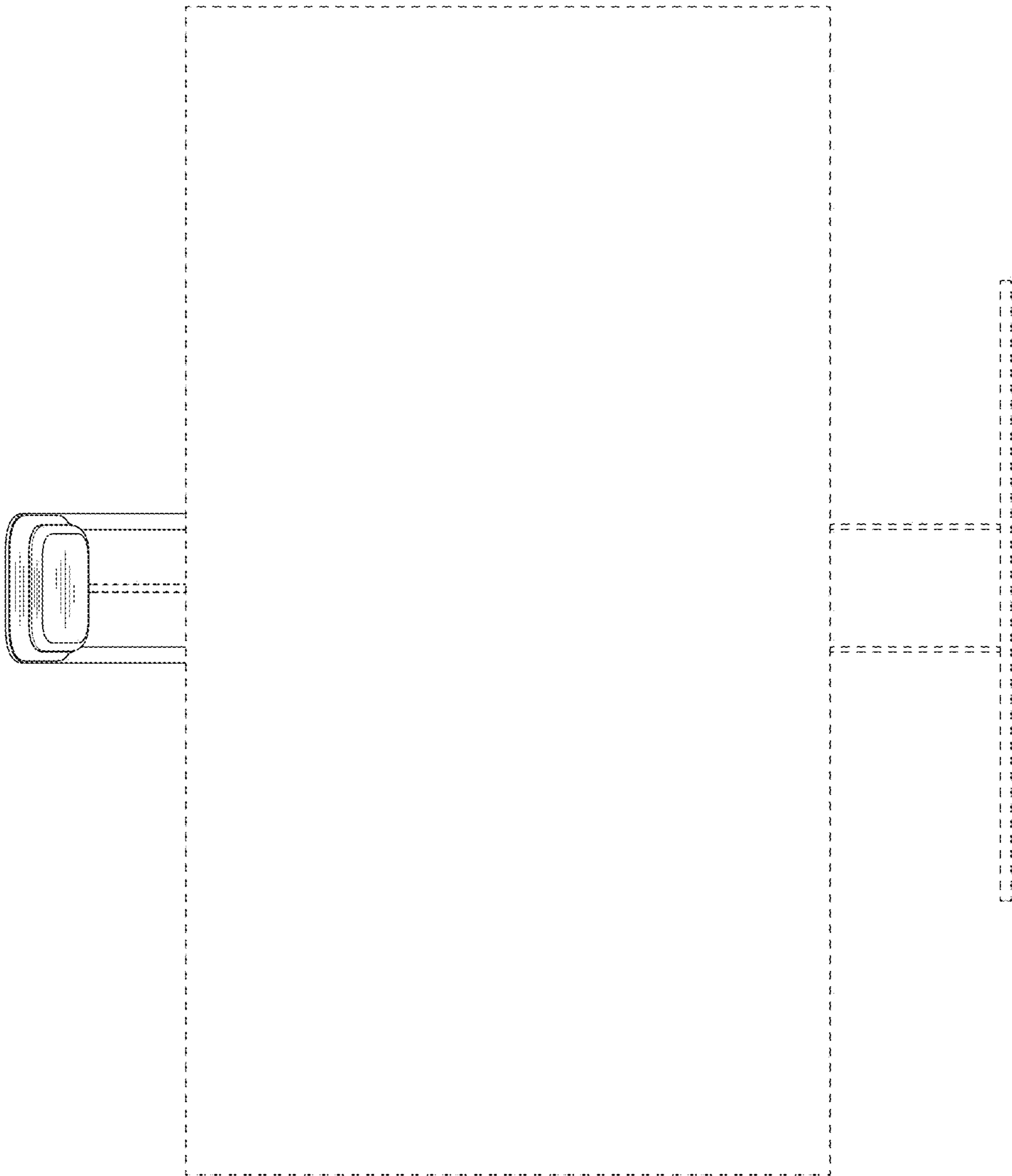


FIG. 3

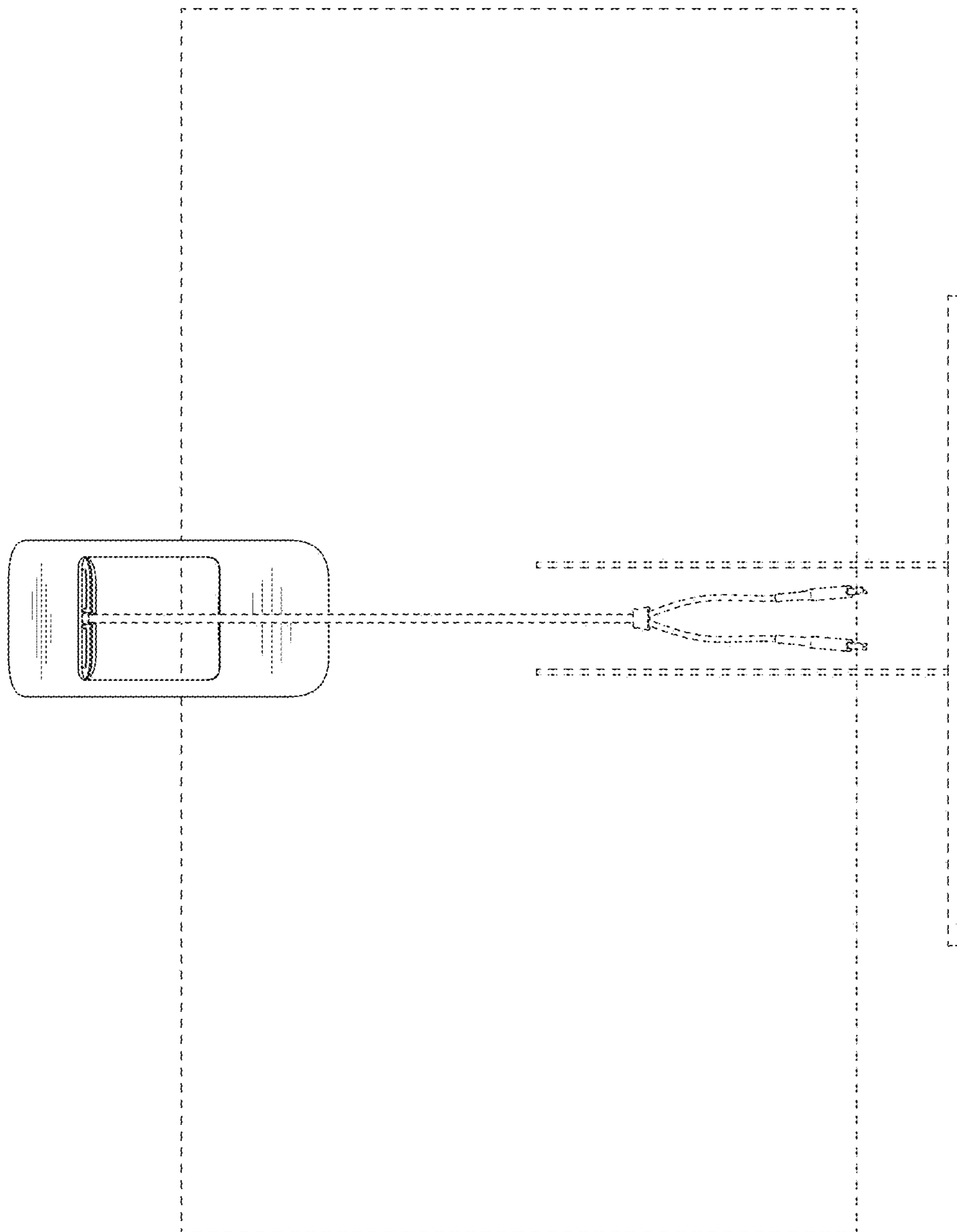


FIG. 4

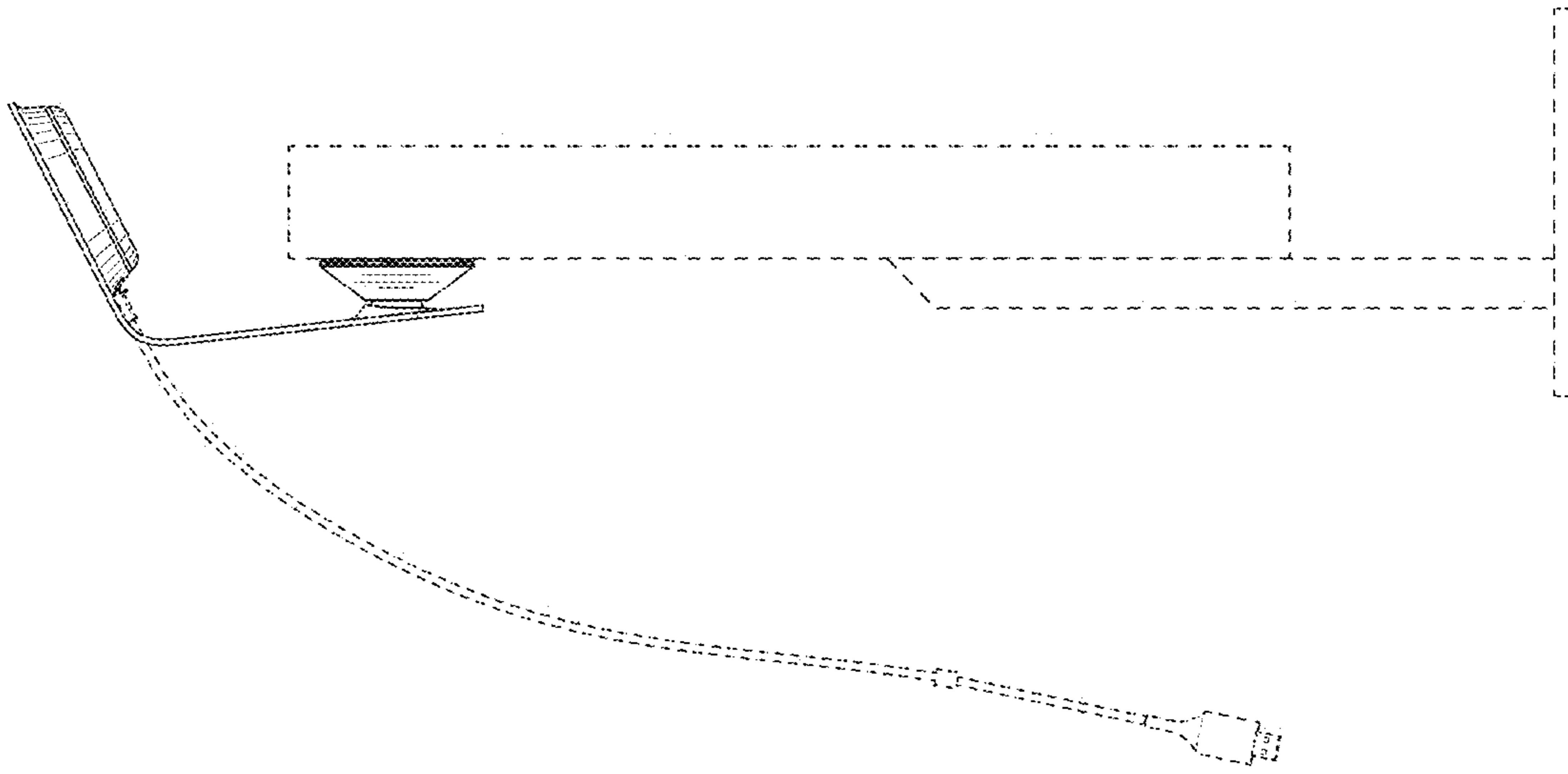


FIG. 5

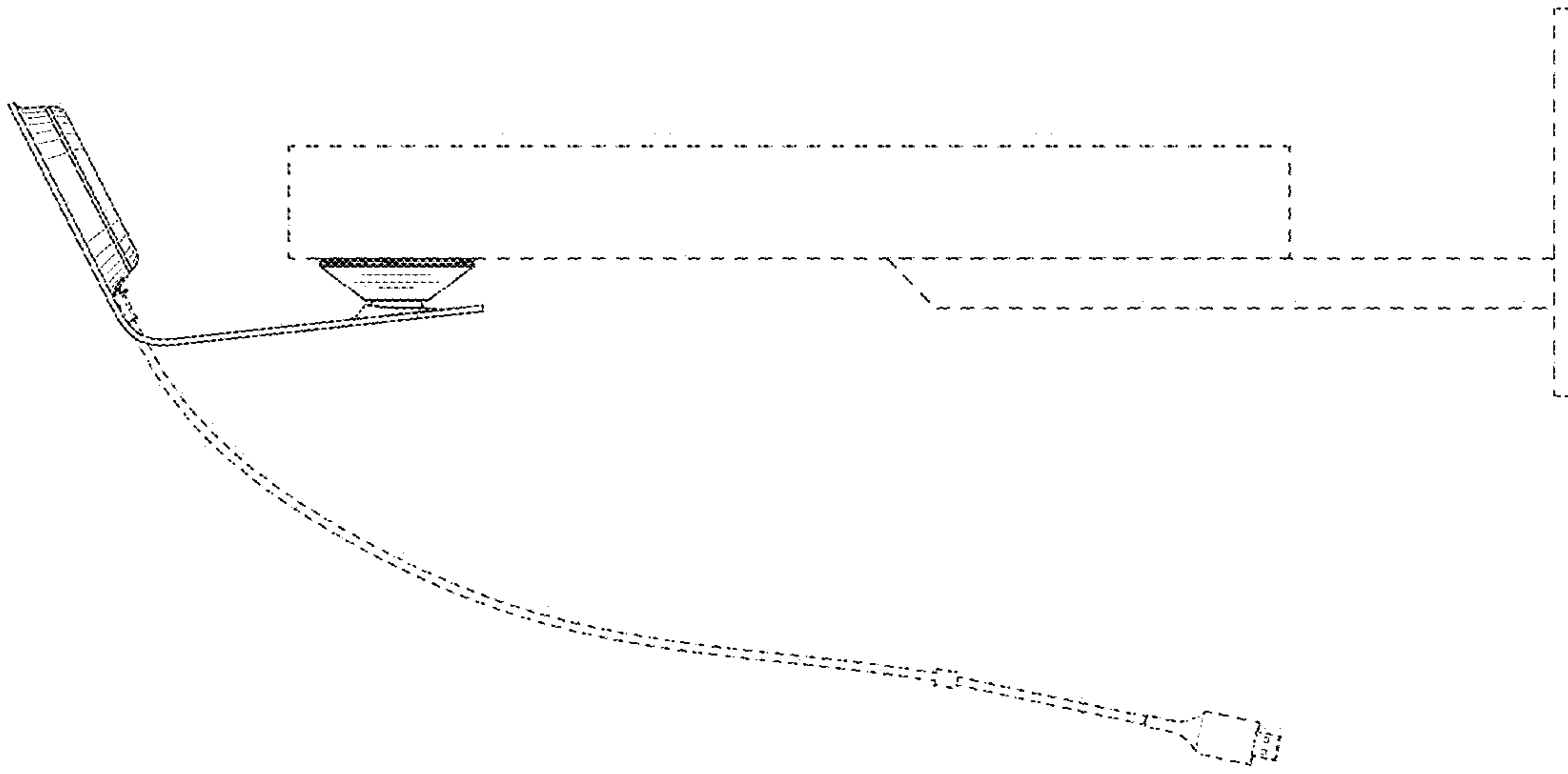


FIG. 6

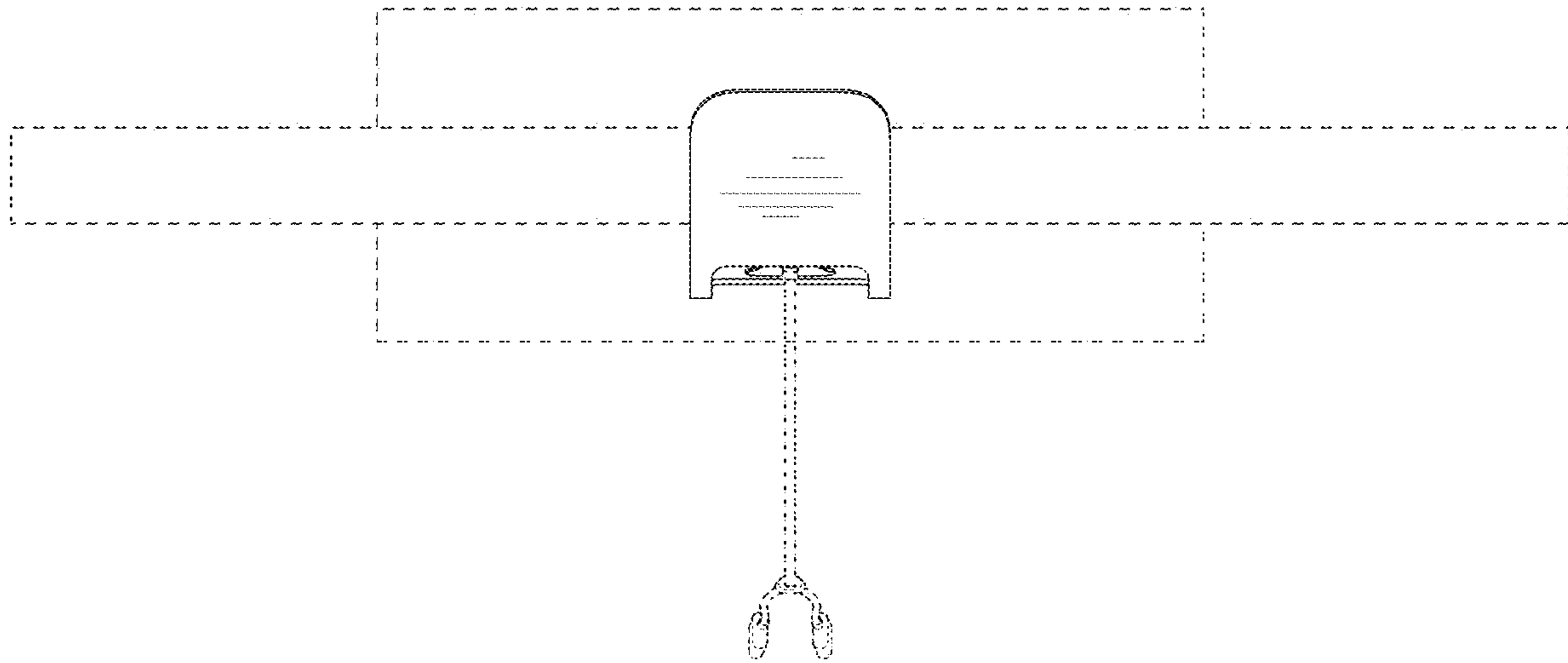


FIG. 7

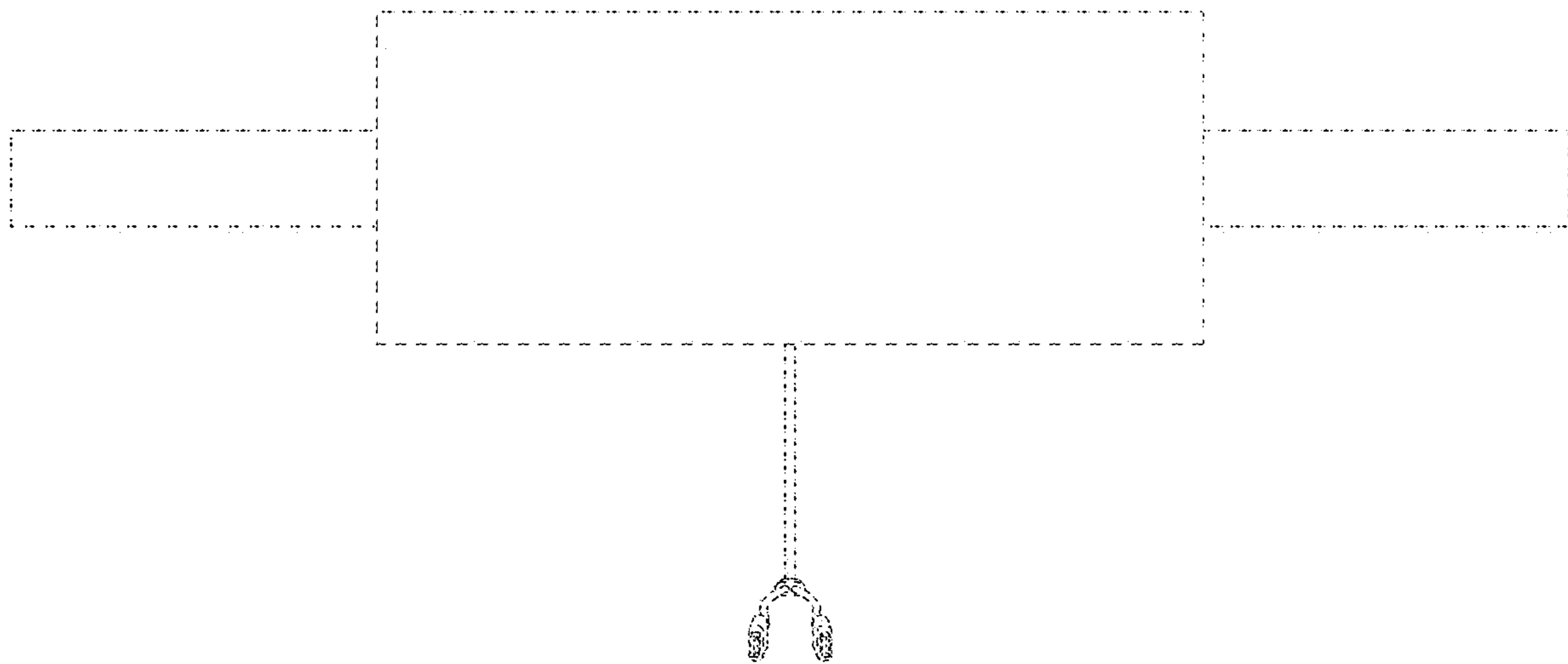


FIG. 8