

US00D876436S

(12) **United States Design Patent**
Shen et al.

(10) **Patent No.:** **US D876,436 S**
(45) **Date of Patent:** **** Feb. 25, 2020**

(54) **MOBILE DEVICE ACCESSORY**

(71) Applicant: **SYMBOL TECHNOLOGIES, LLC**,
Lincolnshire, IL (US)

(72) Inventors: **Mu-Kai Shen**, Taipei (TW); **Huang Chih Huang**, Taoyuan (TW); **Michael A. Charpin**, Brooklyn, NY (US)

(73) Assignee: **Symbol Technologies, LLC**, Holtsville, NY (US)

(**) Term: **15 Years**

(21) Appl. No.: **29/605,903**

(22) Filed: **May 31, 2017**

(51) **LOC (12) Cl.** **14-02**

(52) **U.S. Cl.**
USPC **D14/420; D14/453**

(58) **Field of Classification Search**

USPC D14/434, 447, 453, 432, 433, 385, 357, D14/149, 457, 356, 242, 439, 344, 140.2, D14/140.5, 140.9, 203.8, 209.1, 224.1, D14/227, 229, 238, 440, 250-253, 203.5, D14/203.3, 144; D13/108, 118, 199, 107, D13/177, 119, 184; D3/218, 228, 269; D18/12, 4.4, 4.5, 12.3; D8/349, 382; 361/683, 686, 679, 600, 679.44, 679.09, 361/679.26, 679.58; 455/557, 556.1, 455/556.2, 575.4, 569.2, 569.1, 575.1, 455/90.3, 575.8; 248/346.03, 176.1, 248/181.1, 309.1, 221.11, 349.1, 131, 248/418, 346.01, 918, 920; 200/6 R; 206/701; 320/113-115, 107, 108; 379/426; 345/156, 901, 905; 439/374, 439/131, 529, 534, 929, 346, 31, 640; 235/472.01, 454, 462.01, 462.32, 462.41, 235/462.45, 462.48, 462.46, 462.43, 235/462.42, 462.14, 462.1, 462.13, 235/472.02, 462.44; 429/100; 382/135; 312/223.1; D16/237, 242, 200, 202, 203, D16/208, 211, 212, 219, 239, 130, 134, D16/136

CPC G06K 7/109; G06K 7/10881; G06K 7/10861; G06K 7/10594; G06K 7/10831; G06K 7/1096; G06K 7/10851; G06K 7/10821; G06K 7/10475; G06K 7/10891; G06K 7/1095; G06K 17/0022; G06F 1/1632; G06F 1/1626; G06F 1/163; G06F 1/1637; G06F 1/1643; G06F 1/165; G06F 1/1654; G06F 1/1684; G06F 1/1692; G06F 1/1696; G06F 1/1698; G07G 1/0018; G07G 1/0045; Y10S 248/92; F16M 11/10; F16M

(Continued)

(56) **References Cited**

U.S. PATENT DOCUMENTS

D426,240 S * 6/2000 Senda D14/420
6,115,241 A * 9/2000 Hu H04N 1/00204
361/679.26

(Continued)

Primary Examiner — Susan Moon Lee

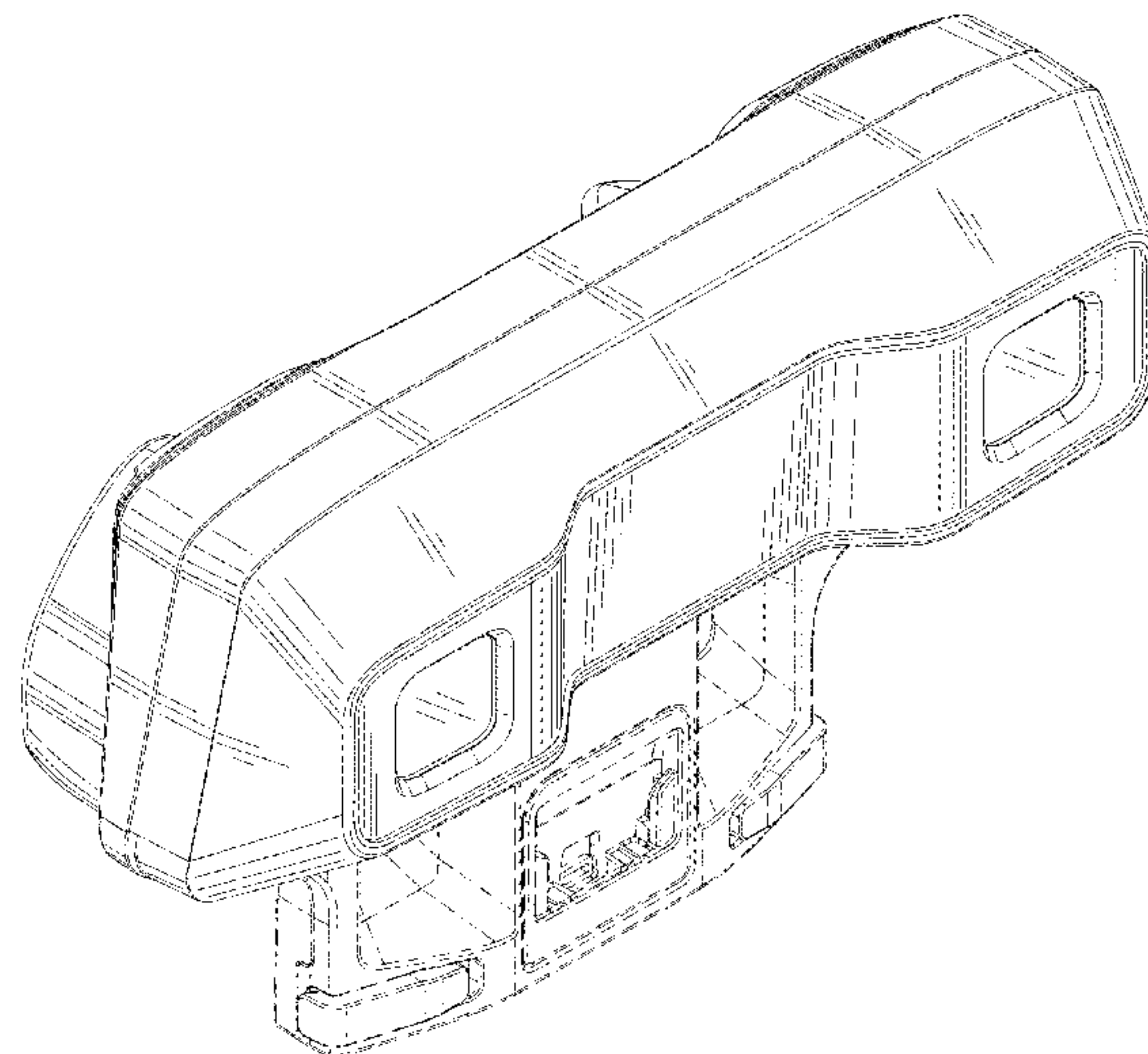
(57) **CLAIM**

We claim the ornamental design for a mobile device accessory, as shown and described.

DESCRIPTION

FIG. 1 is a first perspective view of a mobile device accessory;
FIG. 2 is a second perspective view thereof;
FIG. 3 is a front view thereof;
FIG. 4 is a back view thereof;
FIG. 5 is a first side view thereof;
FIG. 6 is a second side view thereof;
FIG. 7 is a top view thereof; and,
FIG. 8 is a bottom view thereof.
The broken lines are directed to environment and are for illustrative purposes only. Broken lines form no part of the claimed design.

1 Claim, 8 Drawing Sheets



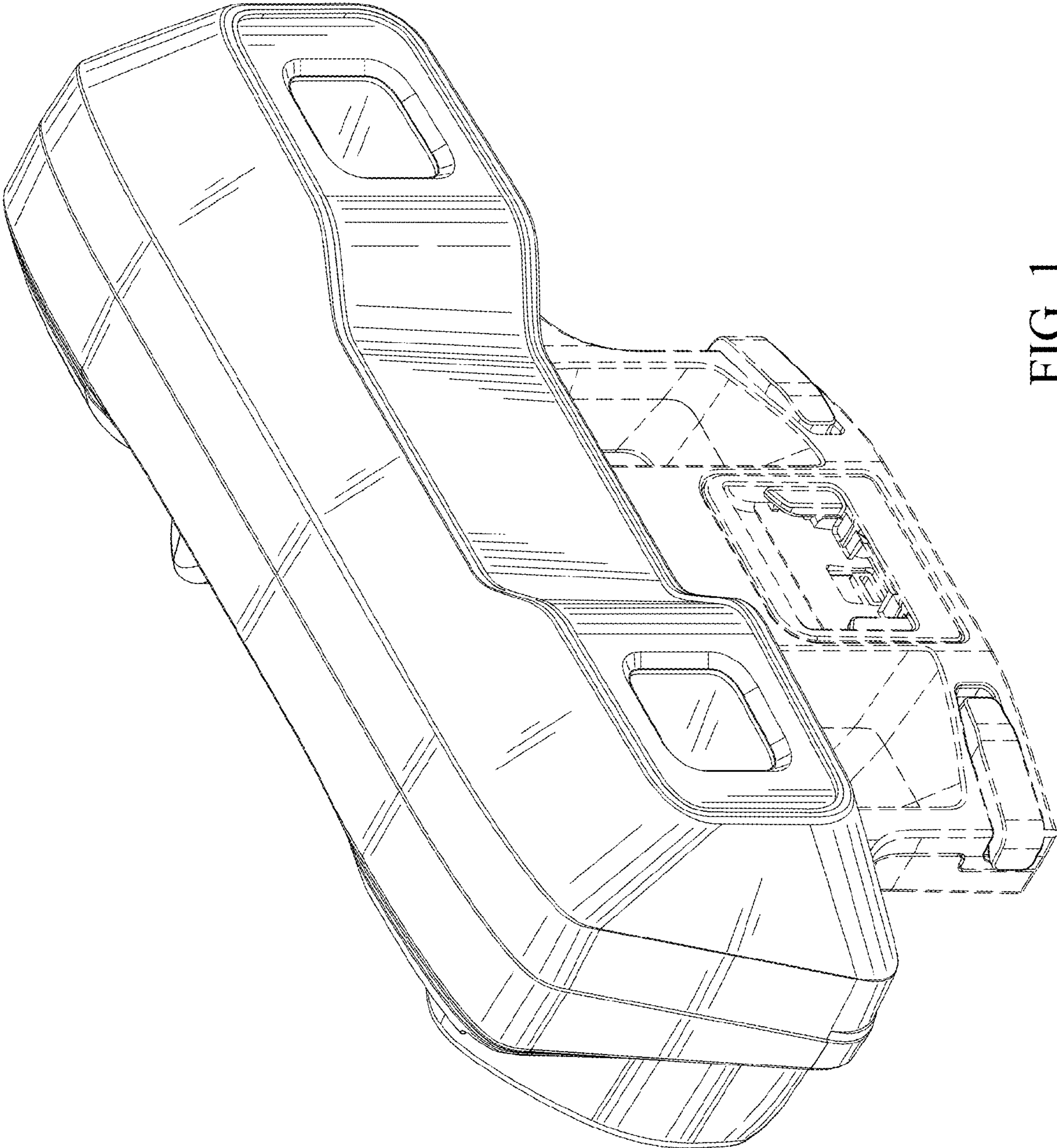


FIG. 1

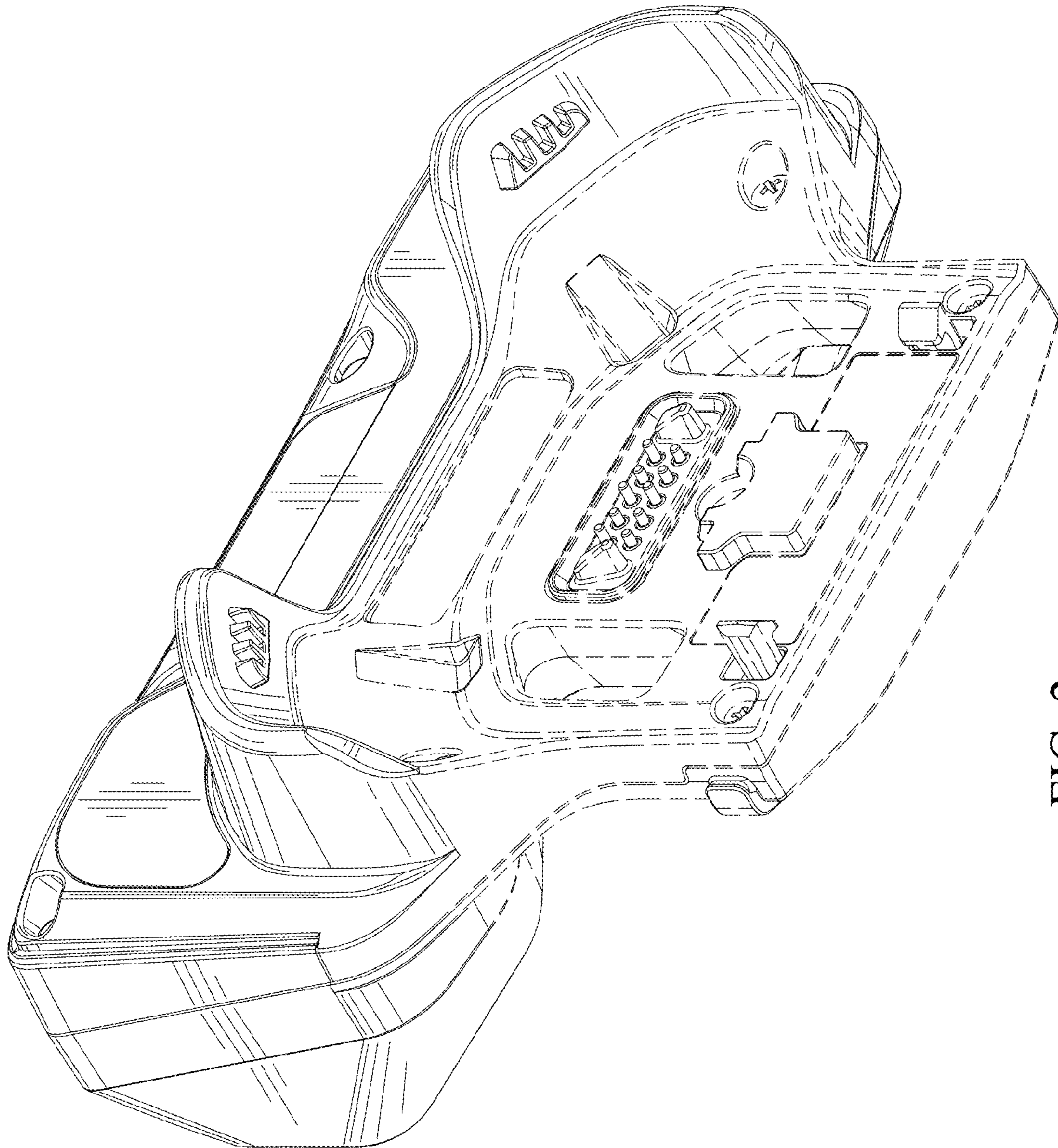


FIG. 2

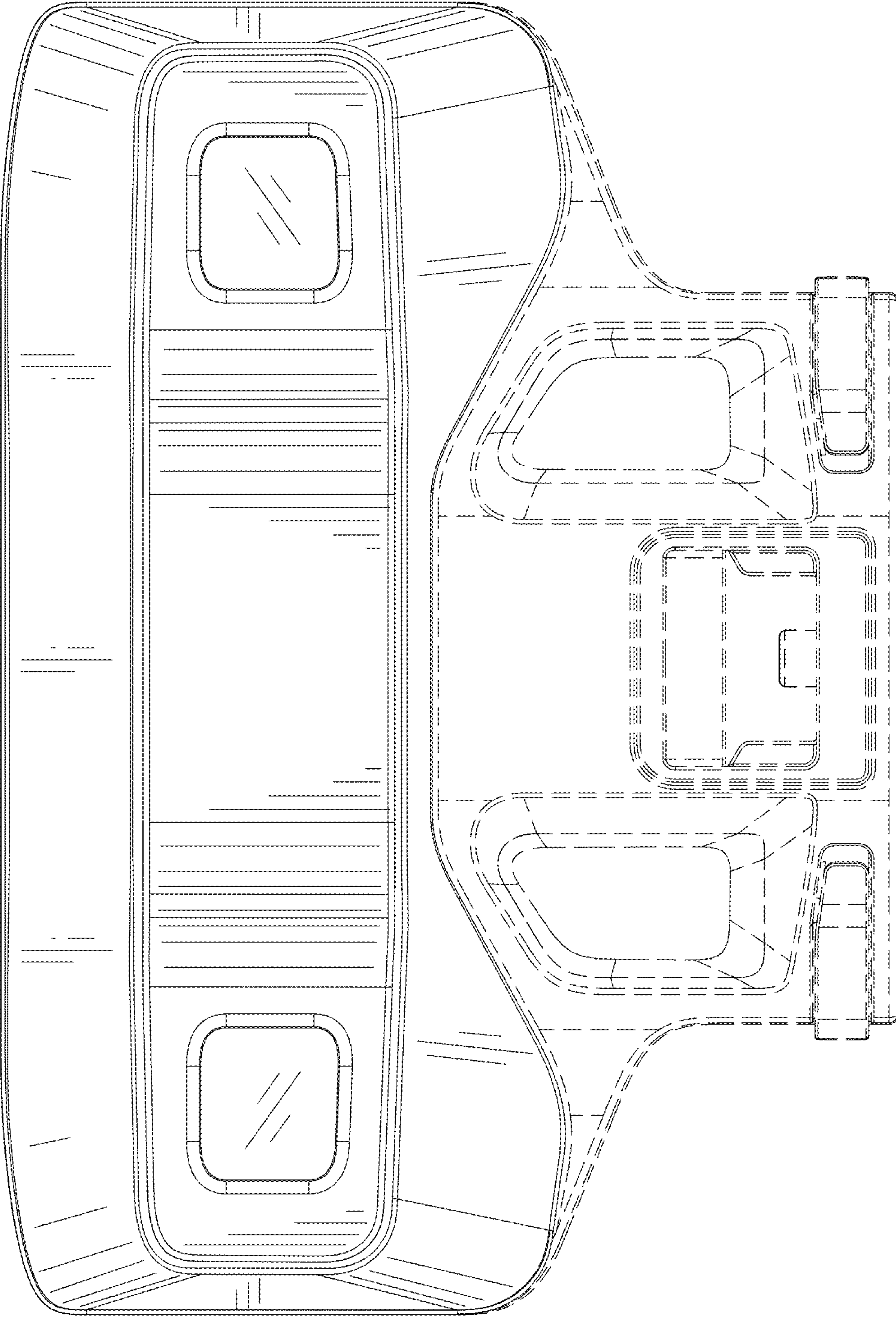


FIG. 3

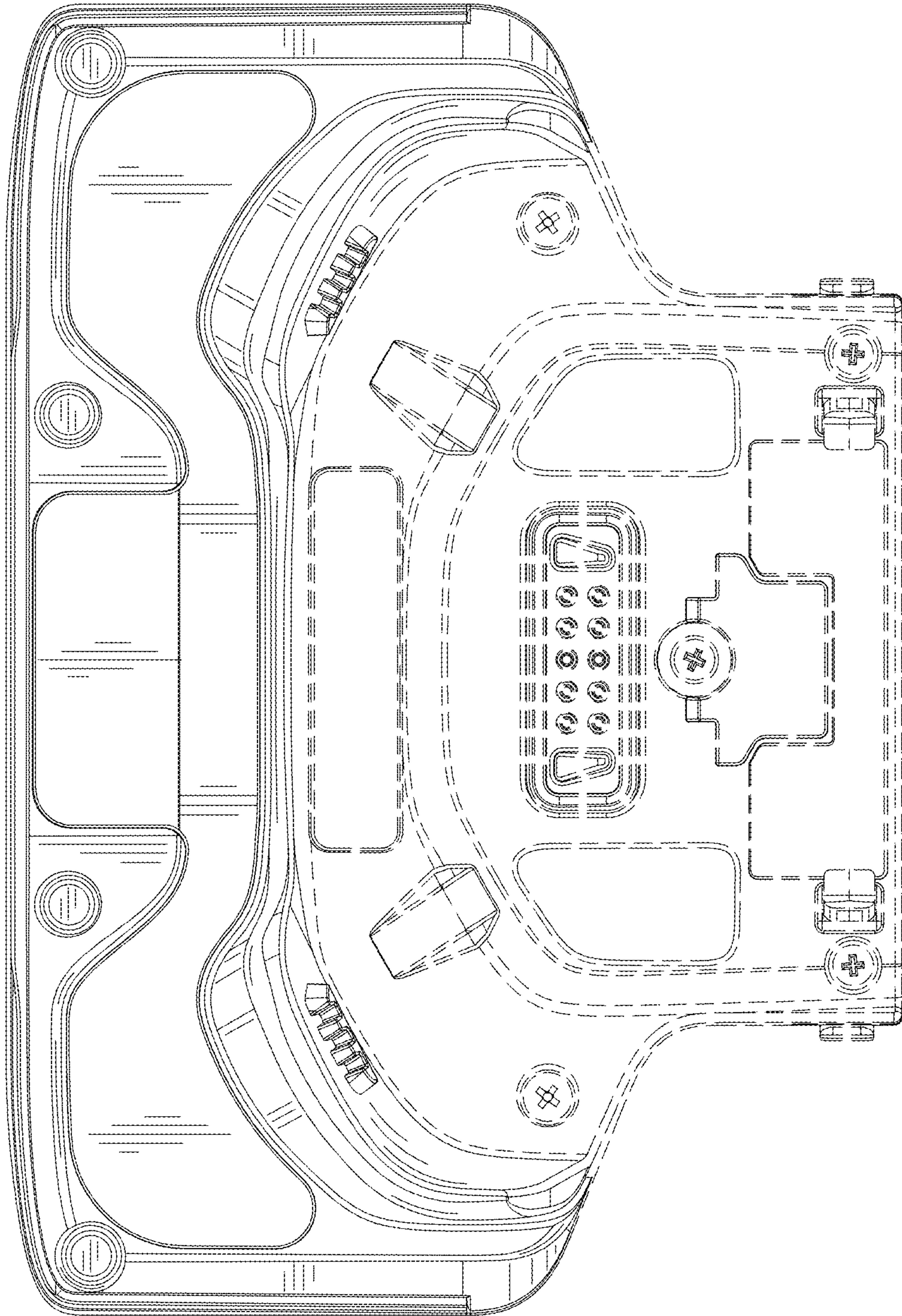


FIG. 4

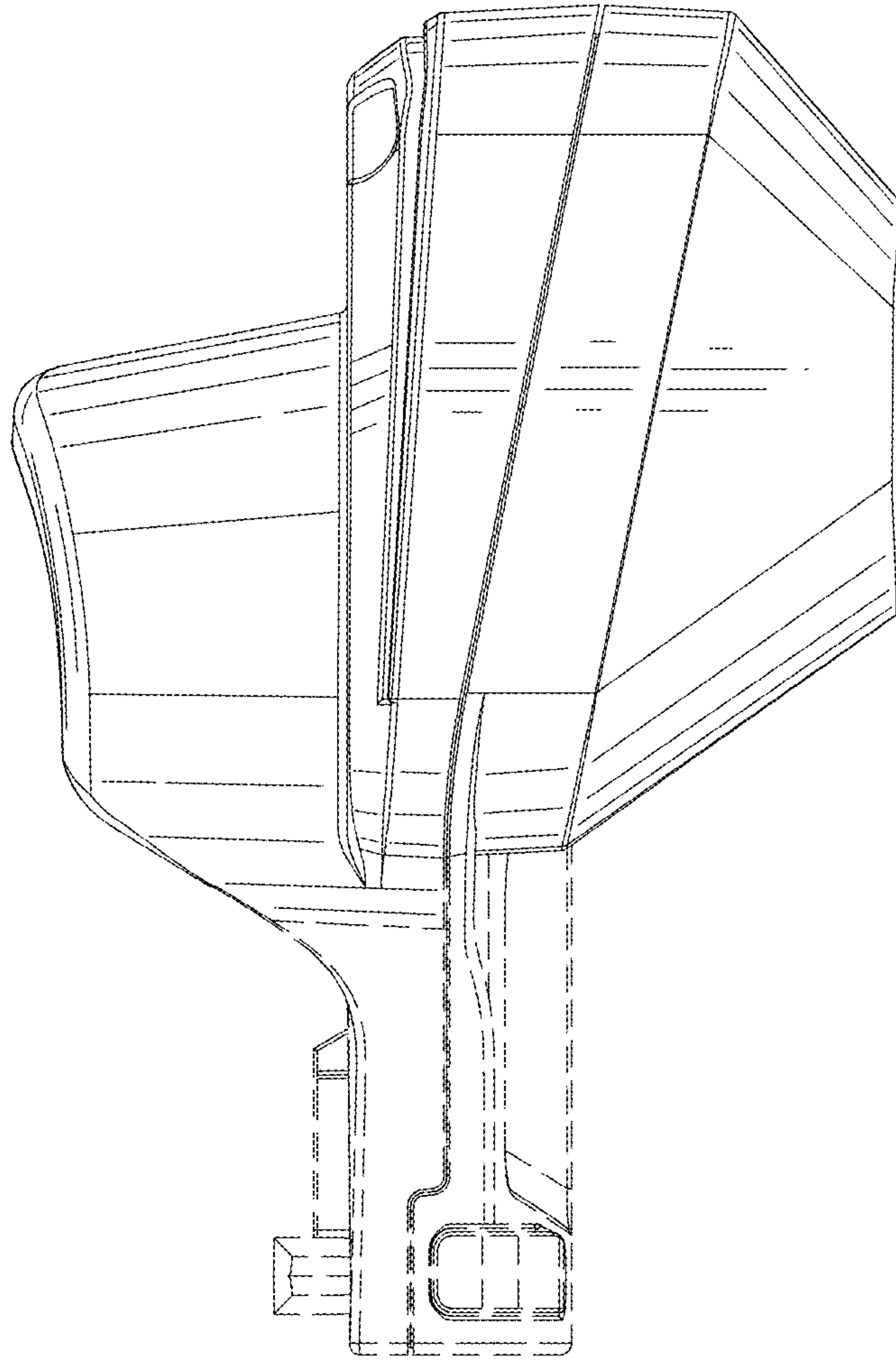


FIG. 5

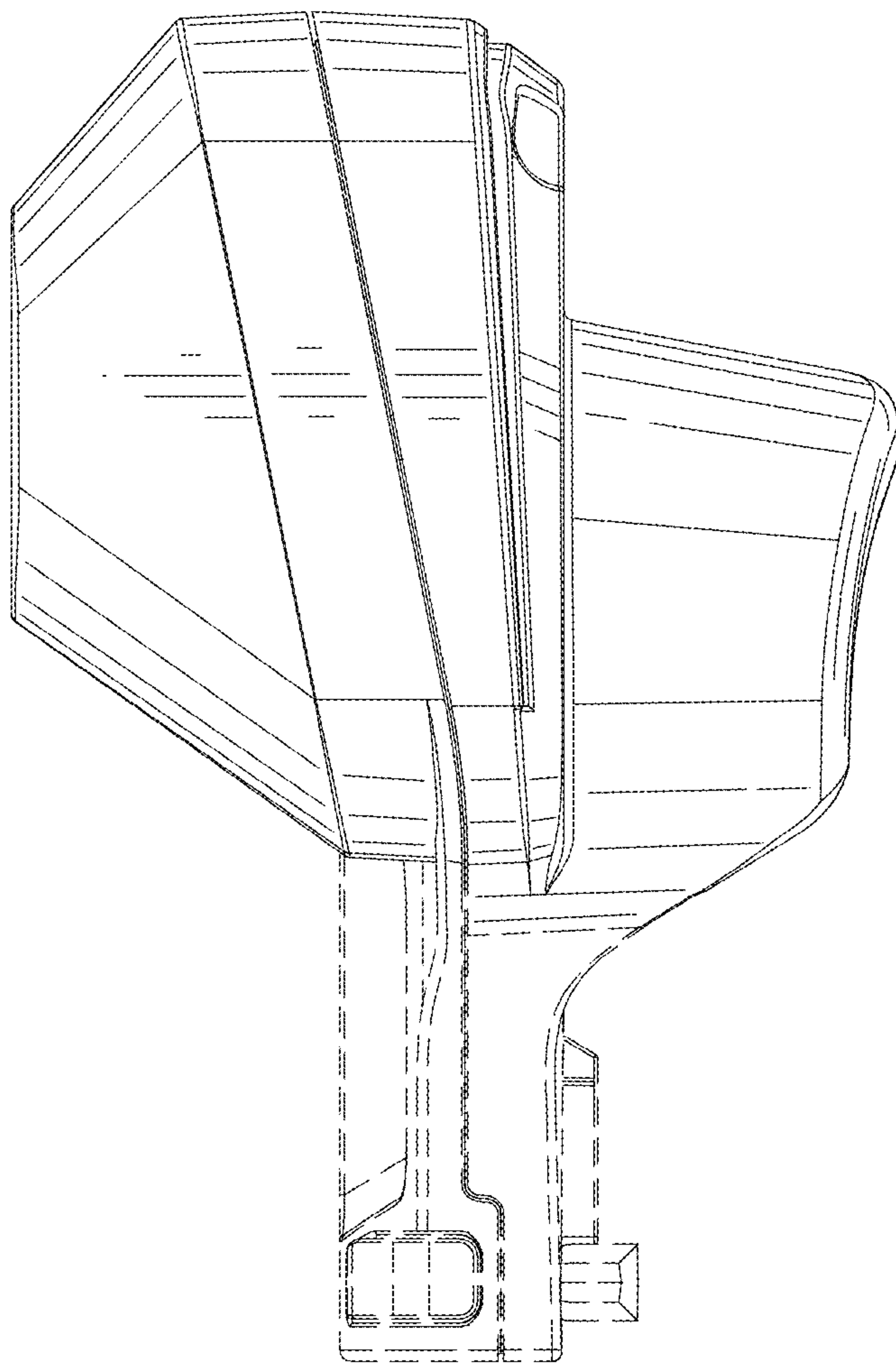


FIG. 6

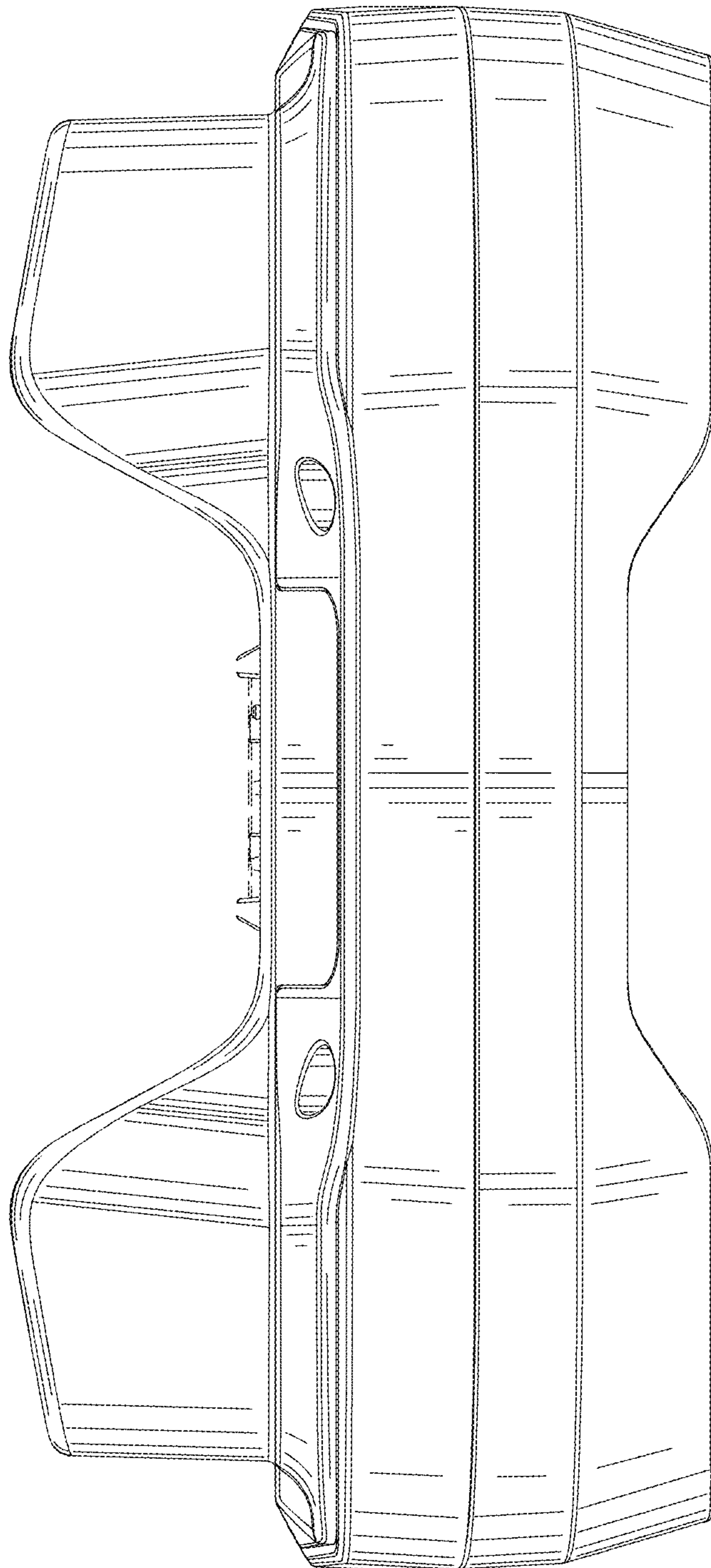


FIG. 7

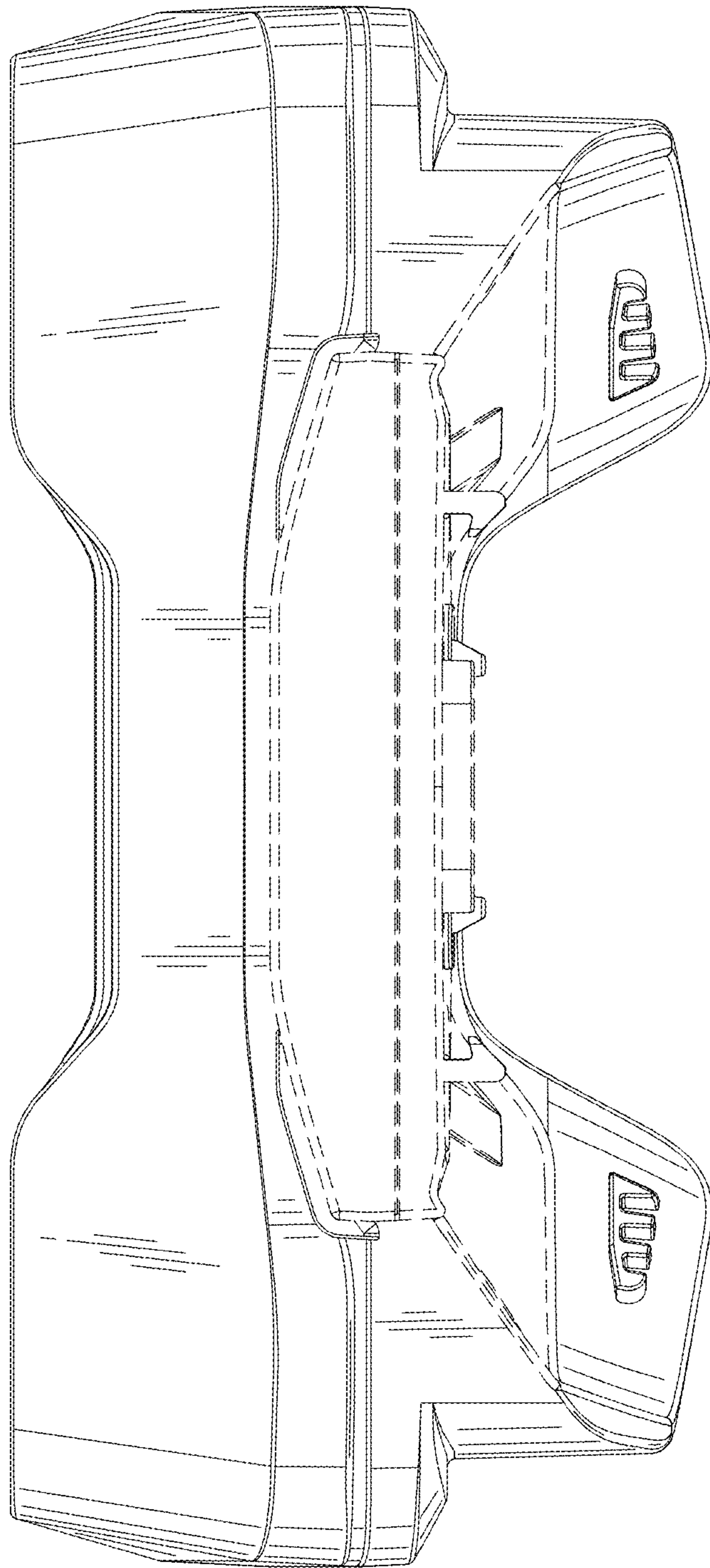


FIG. 8