



US00D876435S

(12) **United States Design Patent** (10) **Patent No.:** **US D876,435 S**
Mitchell (45) **Date of Patent:** **** Feb. 25, 2020**

(54) **COORDINATE INPUT DEVICE**

- (71) Applicant: **Wacom Co., Ltd.**, Kazo-shi, Saitama (JP)
- (72) Inventor: **Giles Thomas Mitchell**, Toyko (JP)
- (73) Assignee: **Wacom Co., Ltd.**, Kazo-shi (JP)
- (**) Term: **15 Years**
- (21) Appl. No.: **29/703,981**
- (22) Filed: **Aug. 30, 2019**

Related U.S. Application Data

- (60) Continuation of application No. 29/687,747, filed on Apr. 15, 2019, now Pat. No. Des. 864,202, which is (Continued)

(30) **Foreign Application Priority Data**

- Aug. 2, 2017 (JP) 2017-016703
- Aug. 2, 2017 (JP) 2017-016704
- (51) **LOC (12) Cl.** **14-02**
- (52) **U.S. Cl.**
USPC **D14/389**; D14/390
- (58) **Field of Classification Search**
USPC D14/388, 389, 390, 318, 341, 342, 346,
D14/356, 130, 217, 218, 454, 455, 299,
(Continued)

(56) **References Cited**

U.S. PATENT DOCUMENTS

- D251,496 S 4/1979 Frelander
 - D283,404 S 4/1986 Heiler et al.
- (Continued)

FOREIGN PATENT DOCUMENTS

- JP D1267831 S 4/2006
- KR D3009049120000 S 4/2017

OTHER PUBLICATIONS

Coordinate input (Design © Questel) orbit.com [online PDF], print date Sep. 28, 2018, <<https://sojprd.questel.fr/export/QPTUJ214/pdf2/276156c6-27dc-421b-8ded-01887c76f059-011137.pdf>> [retrieved Oct. 22, 2018], 11 pages.

(Continued)

Primary Examiner — Marie D. Fast Horse

(74) *Attorney, Agent, or Firm* — Christensen O'Connor Johnson Kindness PLLC

(57) **CLAIM**

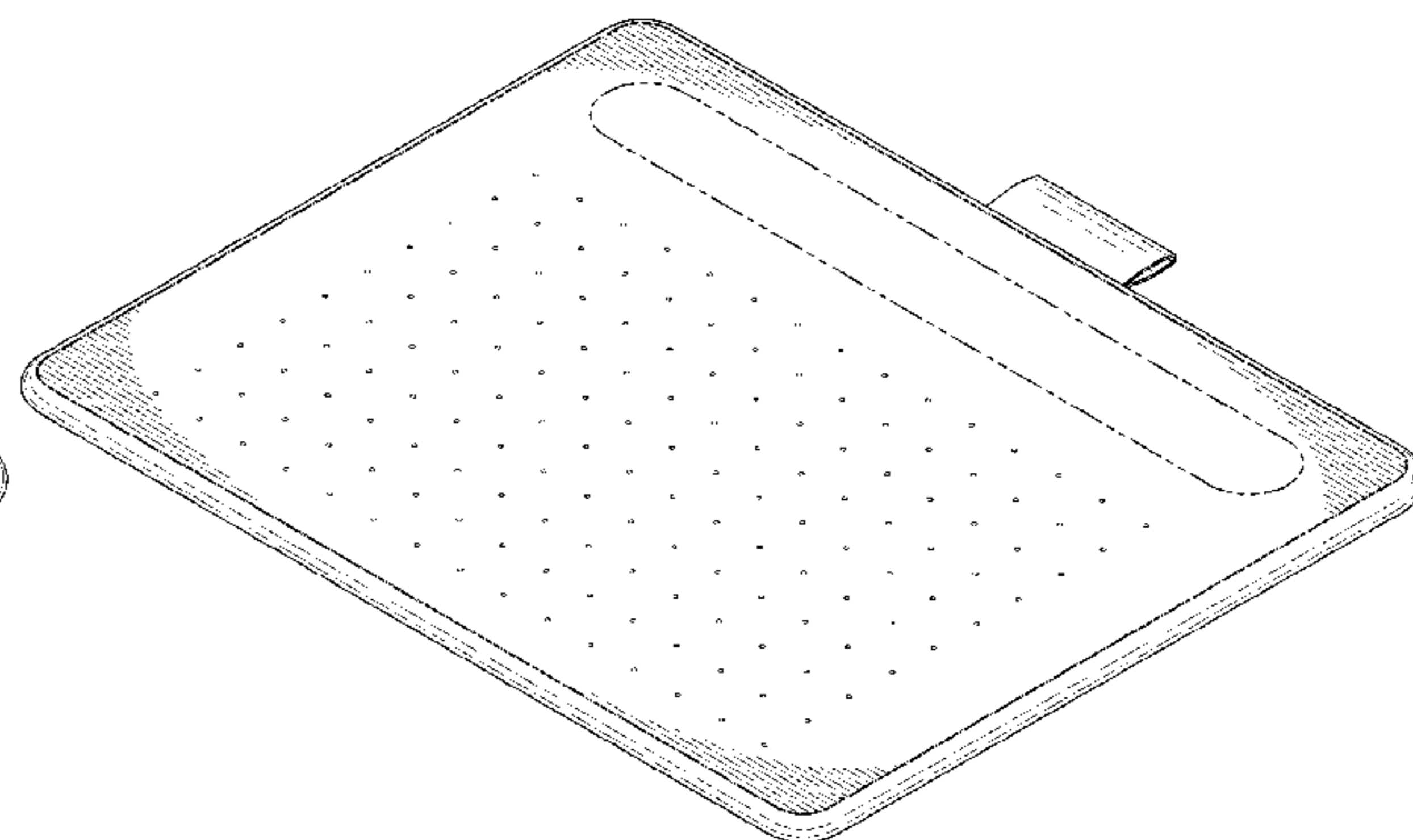
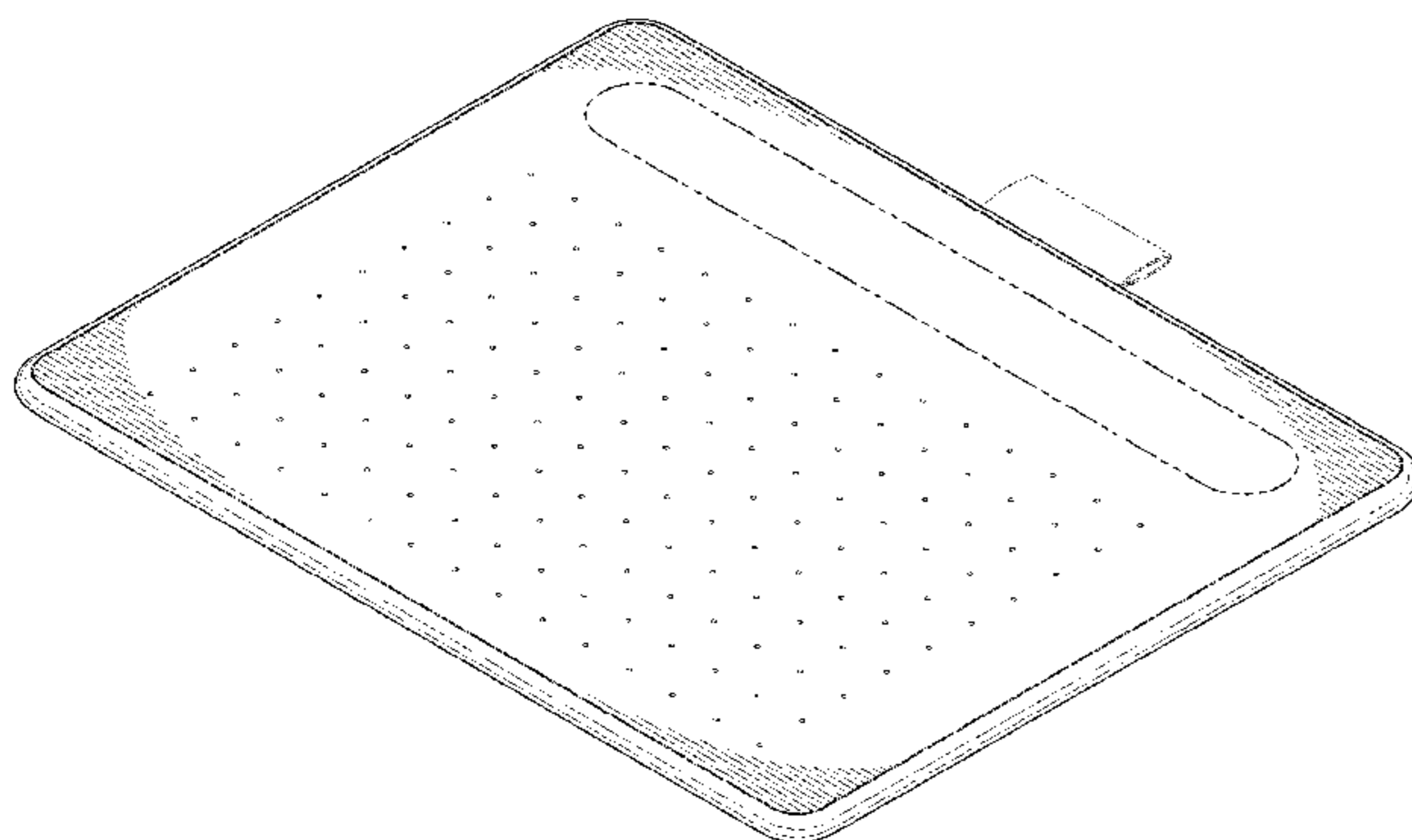
The ornamental design for a coordinate input device, as shown and described.

DESCRIPTION

FIG. 1 is a front-bottom-right perspective view of a coordinate input device according to my new design;
 FIG. 2 is a rear-top-left perspective view thereof;
 FIG. 3 is a bottom plan view thereof;
 FIG. 4 is a top plan view thereof;
 FIG. 5 is a left side elevational view thereof, wherein the right side elevational view is a mirror image of the left side elevational view;
 FIG. 6 is a front elevational view thereof;
 FIG. 7 is a rear elevational view thereof;
 FIG. 8 is a front-bottom-right perspective view of a second representative embodiment of a coordinate input device according to my new design;
 FIG. 9 is a rear-top-left perspective view thereof;
 FIG. 10 is a bottom plan view thereof;
 FIG. 11 is a top plan view thereof;
 FIG. 12 is a left side elevational view thereof, wherein the right side elevational view is a mirror image of the left side elevational view;
 FIG. 13 is a front elevational view thereof; and,
 FIG. 14 is a rear elevational view thereof.

The evenly dashed broken lines in FIGS. 1-14 show portions of the coordinate input device that form no part of the

(Continued)



claimed design. The long-short-short broken lines in FIGS. 1, 6, 8, and 13 define boundaries of the claimed design and form no part thereof.

1 Claim, 6 Drawing Sheets

Related U.S. Application Data

a division of application No. 29/635,846, filed on Feb. 2, 2018, now Pat. No. Des. 852,192.

(58) **Field of Classification Search**

USPC D14/371, 374, 378, 496, 432, 434, 457, D14/458, 375, 376, 336, 338, 339, 383, D14/385; D21/324, 329, 333; D13/158, D13/162, 162.1, 164, 168, 169, 170, 173, D13/174, 177; D10/46, 49, 50, 51, 75, D10/80, 103; D19/23, 101, 102, 105, D19/135, 75, 77, 78, 88, 92, 113
 CPC G06F 3/041; G06F 3/0412; G06F 3/0414; G06F 3/0416; G06F 3/044; G06F 3/048; G06F 3/484; G06F 3/488; G06F 3/4883; G06F 3/03545; G06F 2203/0338; G06F 1/1669; G06F 1/1643; G06F 1/166
 See application file for complete search history.

(56) **References Cited**

U.S. PATENT DOCUMENTS

D289,291 S	4/1987	Kapper	
D313,409 S	1/1991	Chowdhree et al.	
D340,701 S	10/1993	Takeuchi	
D346,591 S	5/1994	Lee	
5,401,917 A	3/1995	Yoshida et al.	
D386,986 S	12/1997	Gee, II	
D392,259 S	3/1998	Simmon	
D395,639 S	6/1998	Ham et al.	
D425,538 S	5/2000	Akaike	
D452,695 S	1/2002	Miller	
D454,870 S	3/2002	Lee et al.	
D461,802 S	8/2002	Tu	
D503,402 S	3/2005	Su et al.	
D528,991 S	9/2006	Katsuyama et al.	
D534,215 S	12/2006	Nakata	
D537,120 S	2/2007	Mandel	
D541,800 S	5/2007	Ponnert et al.	
D543,174 S	5/2007	Kim	
D559,197 S	1/2008	Lim et al.	
D572,208 S	7/2008	Mayo et al.	
D572,667 S	7/2008	Mayo et al.	
D574,436 S	8/2008	Mandel	
D589,961 S	4/2009	Hackenberg et al.	
D624,882 S	10/2010	Altonen et al.	
D625,726 S	* 10/2010	Crisp	D14/389
D625,727 S	* 10/2010	Crisp	D14/390
D625,728 S	10/2010	Crisp et al.	
D629,401 S	12/2010	Crisp et al.	

D629,402 S	12/2010	Crisp et al.	
D631,880 S	2/2011	Hirota	
D638,014 S	5/2011	Chong et al.	
D638,421 S	5/2011	Tsai	
D638,806 S	5/2011	Kim et al.	
D639,804 S	6/2011	Hwang et al.	
D640,992 S	7/2011	Margolin et al.	
D642,562 S	8/2011	Kato	
D645,001 S	9/2011	Margolin et al.	
D648,722 S	11/2011	Meyerhoffer et al.	
D658,591 S	5/2012	Margolin et al.	
8,350,813 B2	1/2013	Sato	
D675,614 S	2/2013	Feng et al.	
D689,487 S	9/2013	Halsinger et al.	
D689,490 S	9/2013	Halsinger et al.	
D689,492 S	9/2013	Halsinger et al.	
D690,696 S	10/2013	Jonsson et al.	
D690,697 S	10/2013	Jonsson et al.	
D690,698 S	10/2013	Jonsson et al.	
D690,699 S	10/2013	Jonsson et al.	
D694,211 S	11/2013	Yuu et al.	
D701,570 S	3/2014	Fletcher et al.	
D702,235 S	4/2014	Jonsson et al.	
D709,055 S	7/2014	Cho	
D718,308 S	11/2014	Nishizawa	
D719,161 S	12/2014	Huebner	
D722,055 S	2/2015	Jonsson et al.	
D732,526 S	6/2015	Ferren et al.	
D732,533 S	6/2015	Hirota	
D735,717 S	8/2015	Lam et al.	
D739,399 S	9/2015	Adamson et al.	
D739,400 S	9/2015	Adamson et al.	
D744,484 S	12/2015	Huebner	
D746,279 S	12/2015	Bajwa et al.	
D746,280 S	12/2015	Bajwa et al.	
D763,205 S	8/2016	Kashimoto	
D766,240 S	9/2016	Le Rouzo	
D766,892 S	9/2016	Bajwa et al.	
D773,456 S	12/2016	Mitchell	
D782,471 S	3/2017	Nuk et al.	
D795,217 S	8/2017	Akana et al.	
D810,745 S	2/2018	Luo	
D812,050 S	3/2018	Mitchell	
D815,631 S	4/2018	Kim	
D818,465 S	5/2018	Mitchell	
D820,252 S	6/2018	Huebner	
D824,383 S	7/2018	Wall et al.	
D827,455 S	9/2018	Farenski	
D827,635 S	9/2018	Wei	
D827,646 S	9/2018	Mitchell	
D841,645 S	2/2019	Huebner	
D844,610 S	4/2019	Luo	
D852,192 S	* 6/2019	Mitchell	D14/389

OTHER PUBLICATIONS

Coordinate input devices. (Design—© Questel) orbit.com [online PDF], 6 pgs. Print Dates range Nov. 20, 2017 through Jan. 9, 2018. [Retrieved on Jun. 5, 2019] <https://sobjprd.questel.fr/export/QPTUJ214/pdf2/f7d3bb37-5757-4433-9c0a-376a01e3d222-194904.pdf>.

* cited by examiner

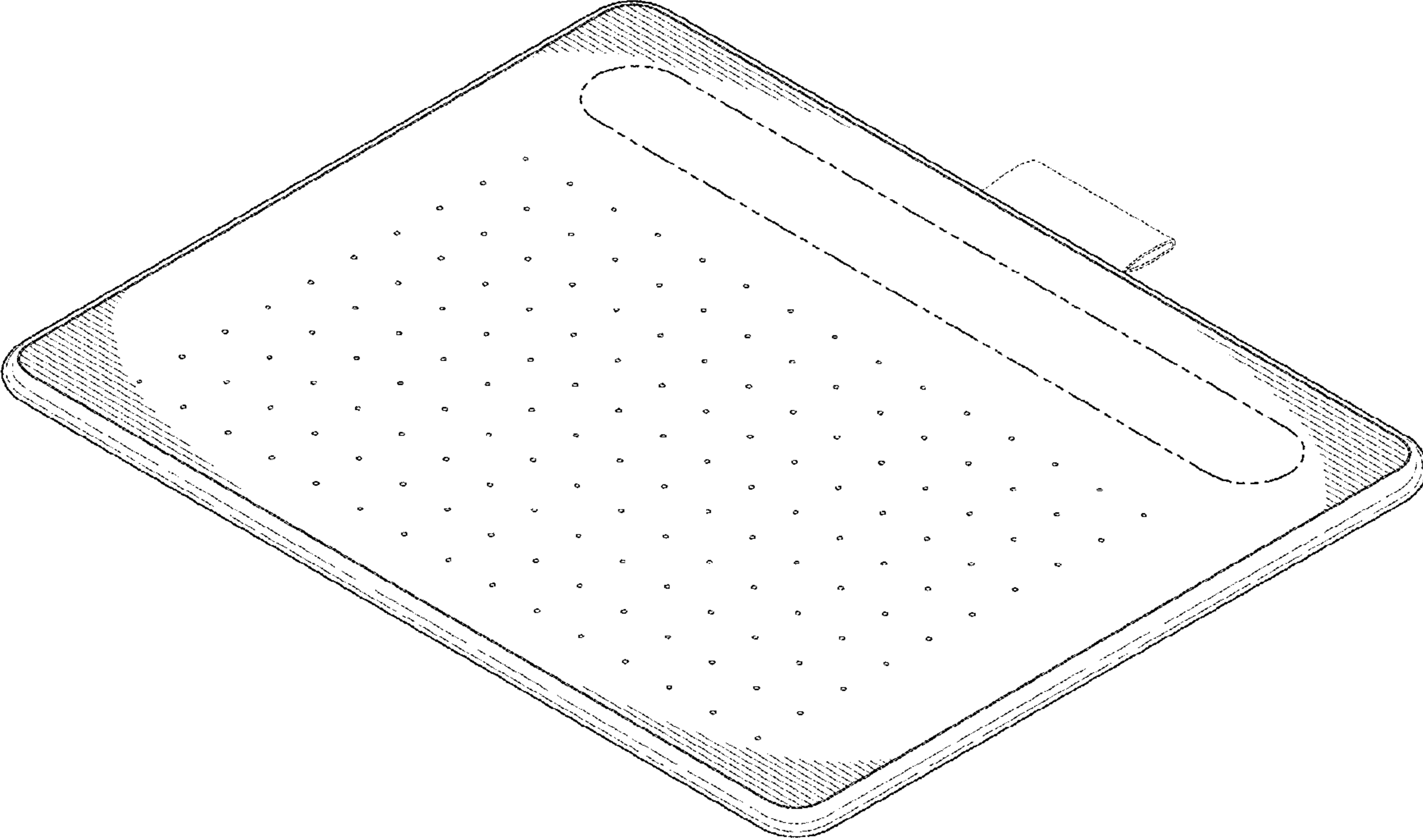


FIG. 1

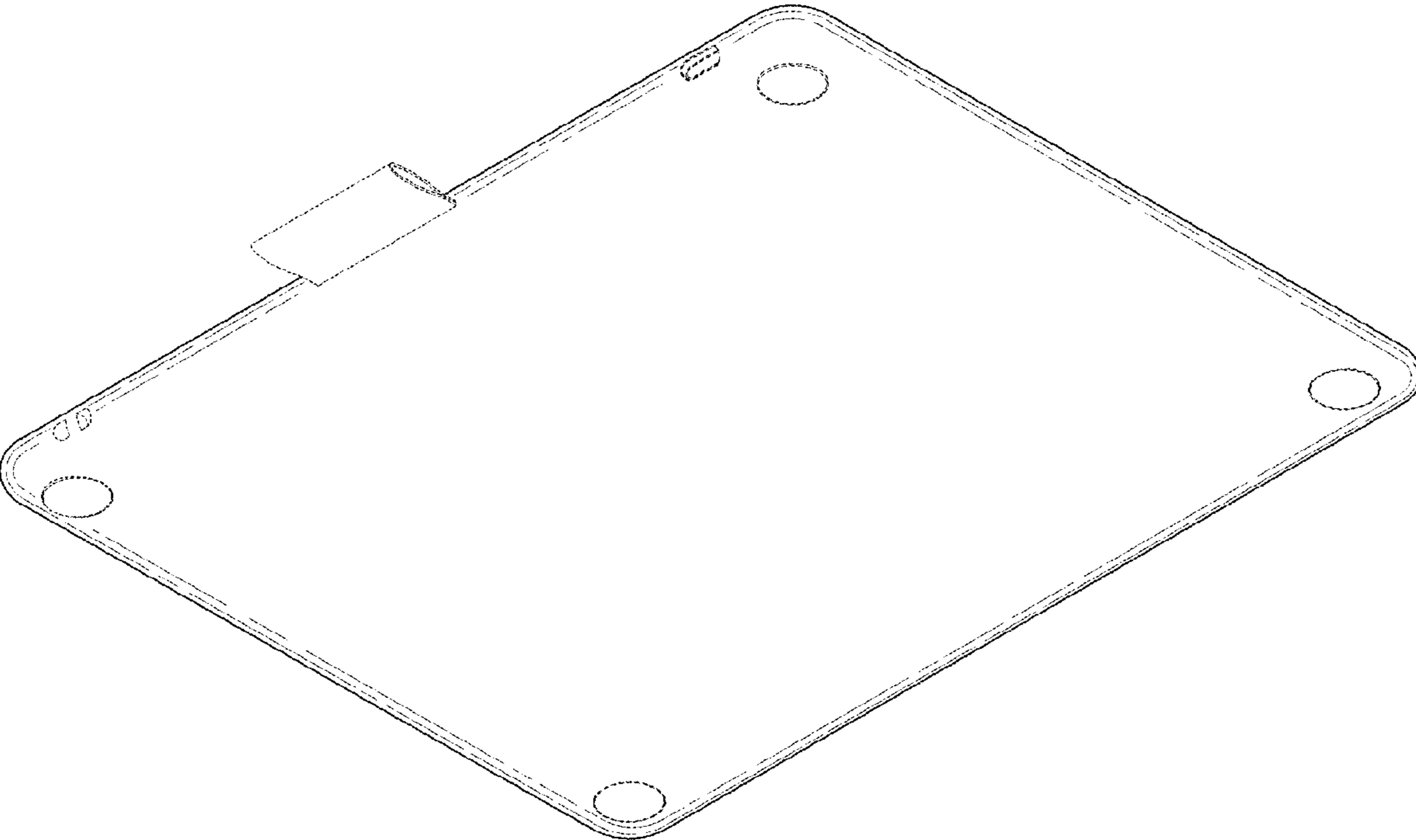


FIG. 2

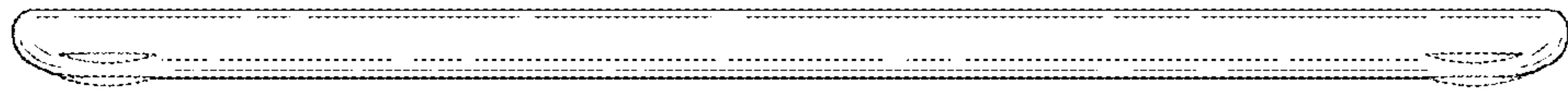


FIG. 3

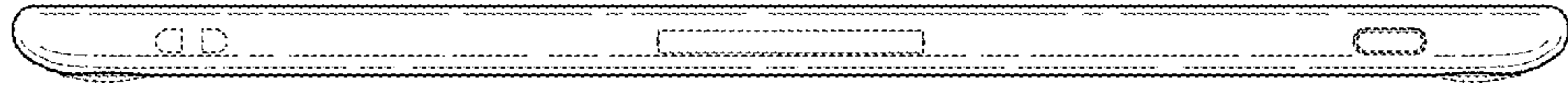


FIG. 4

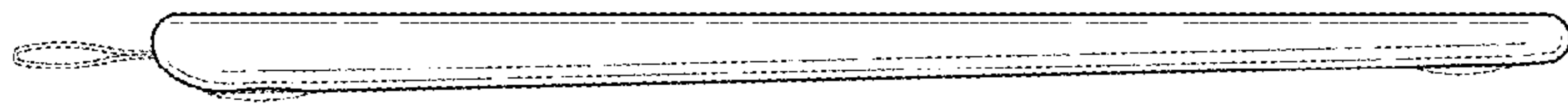


FIG. 5

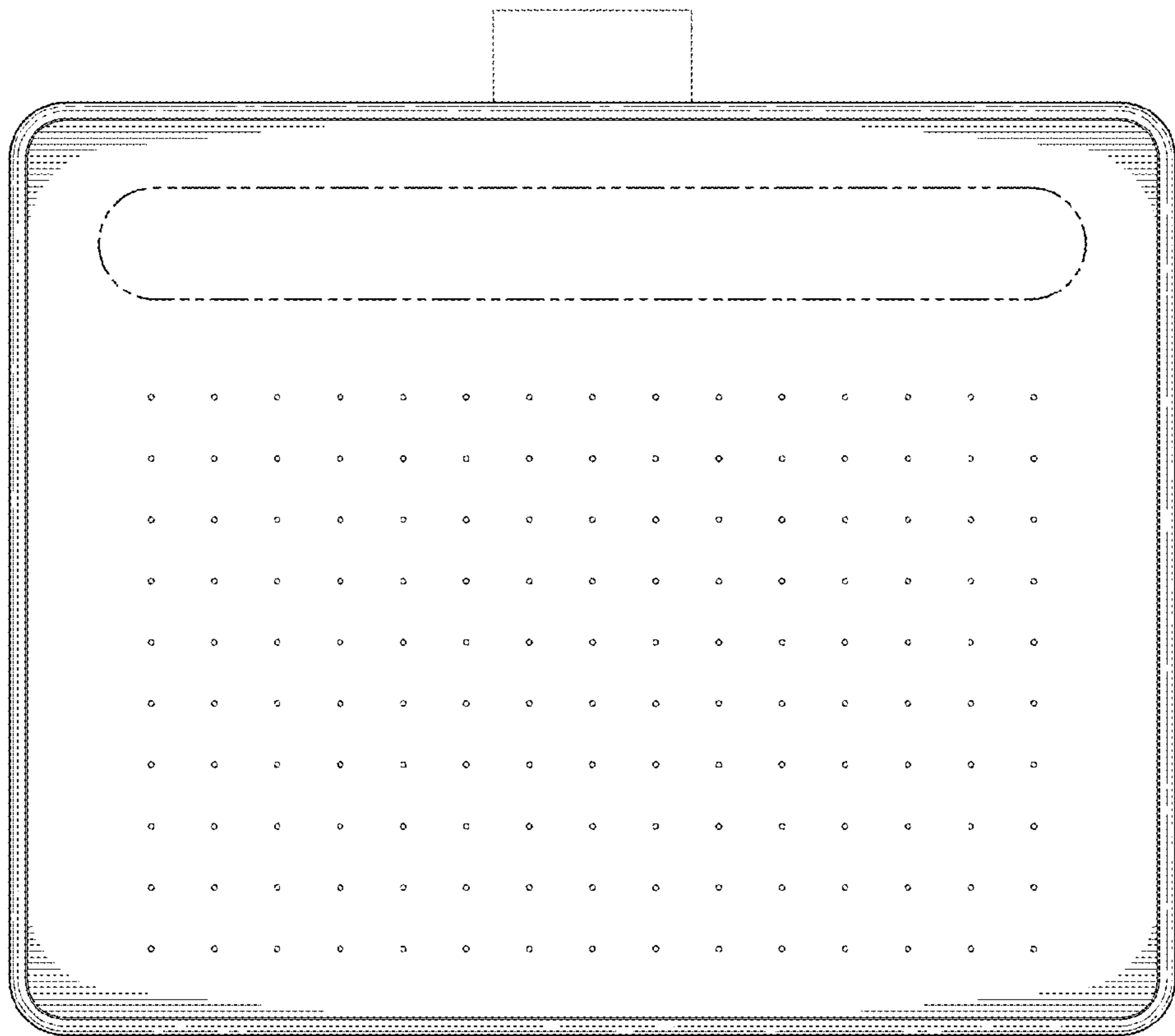


FIG. 6

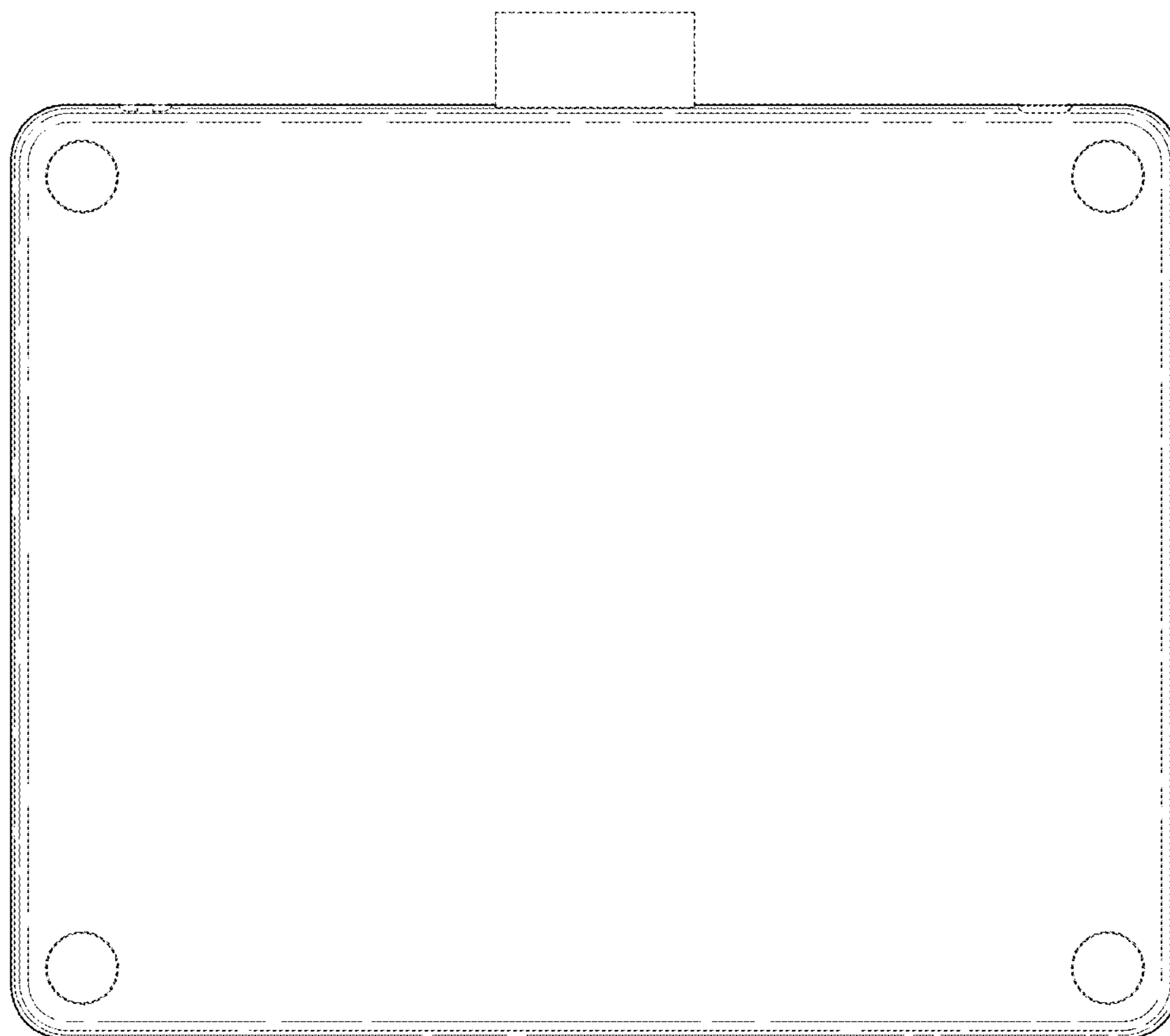


FIG. 7

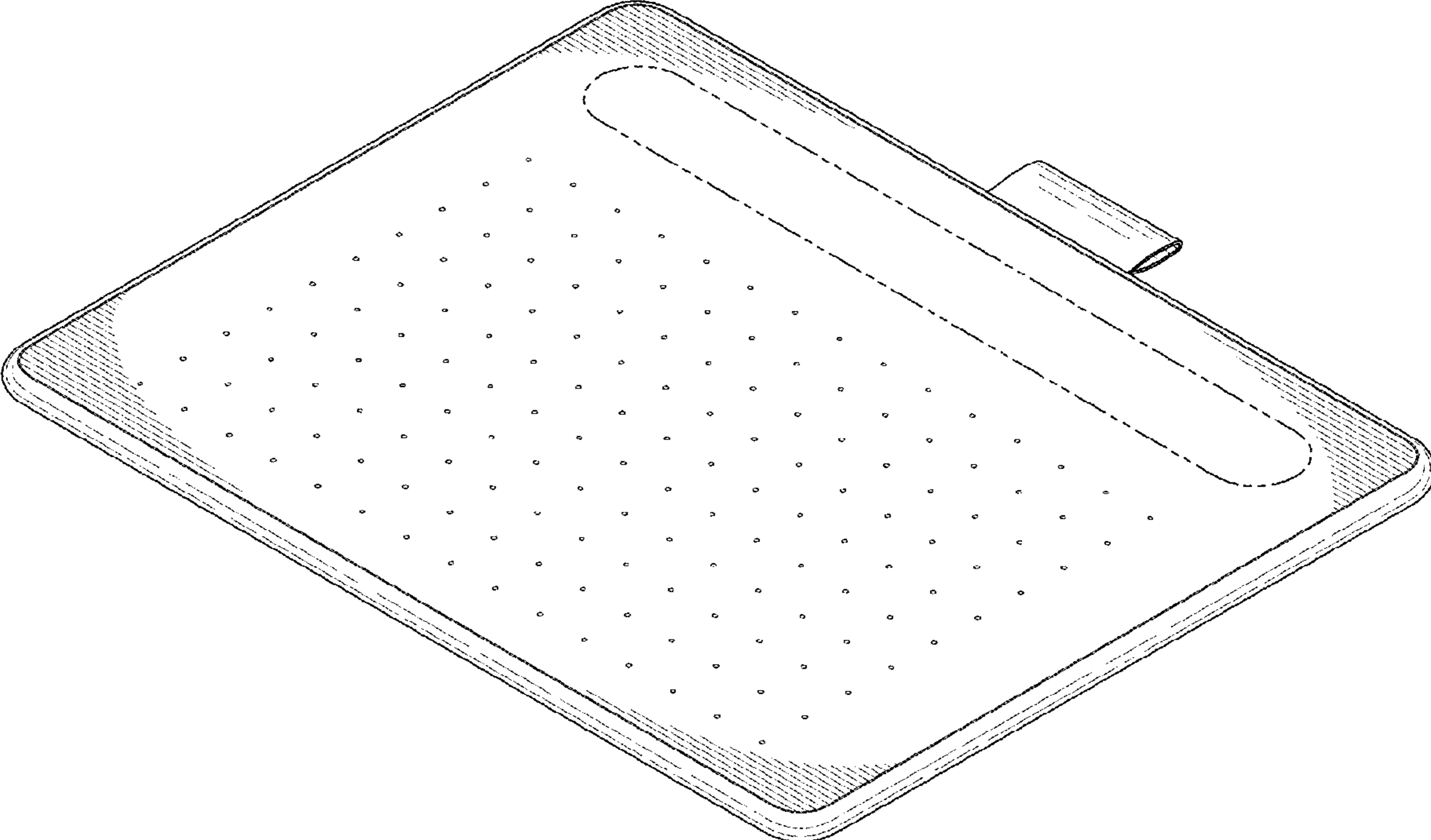


FIG. 8

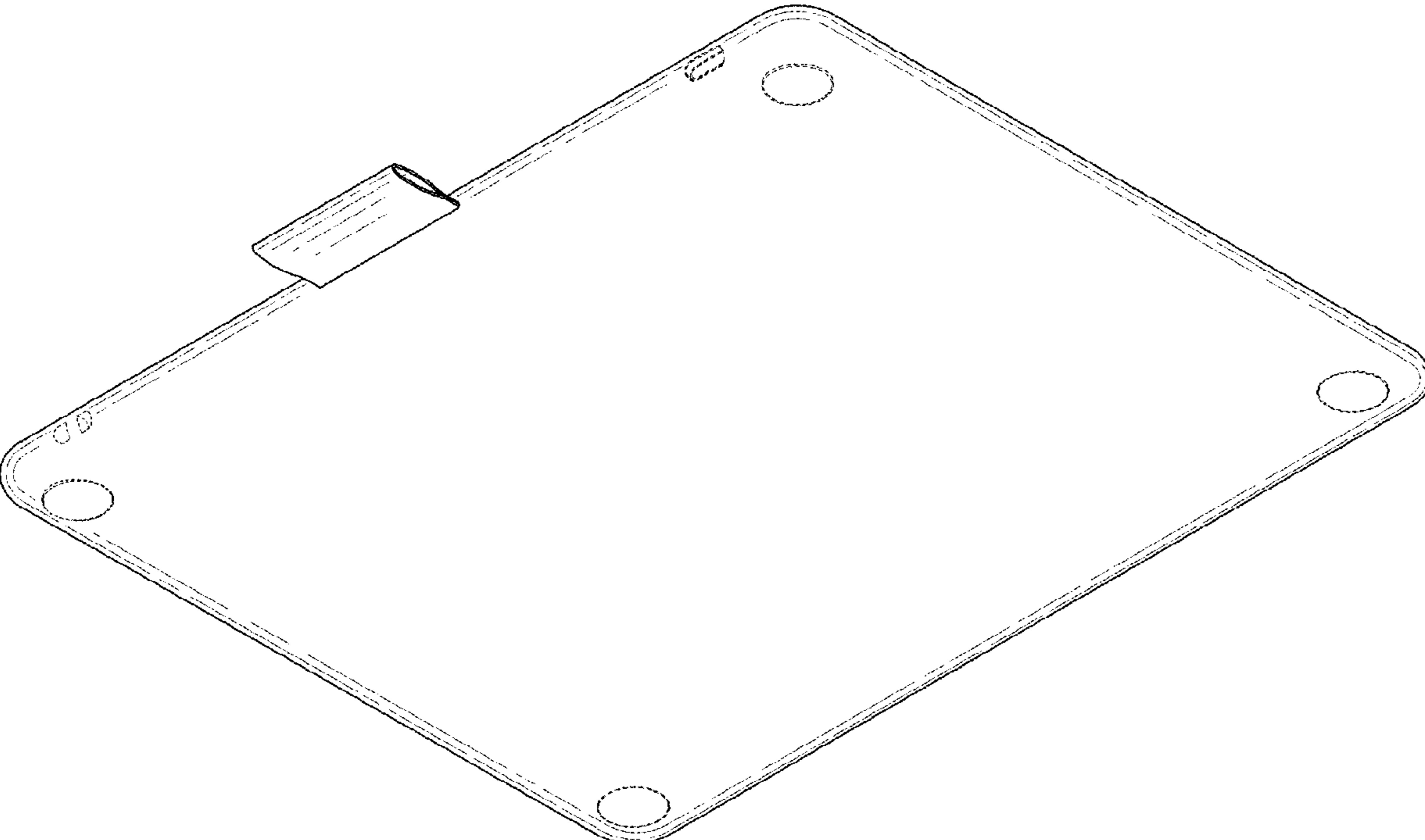


FIG. 9

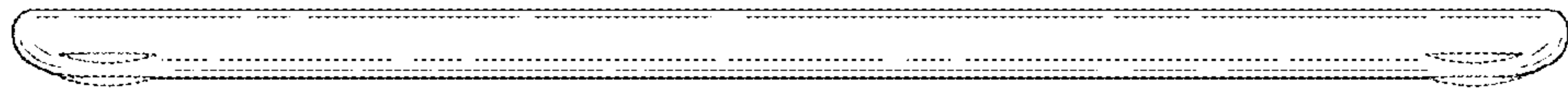


FIG. 10

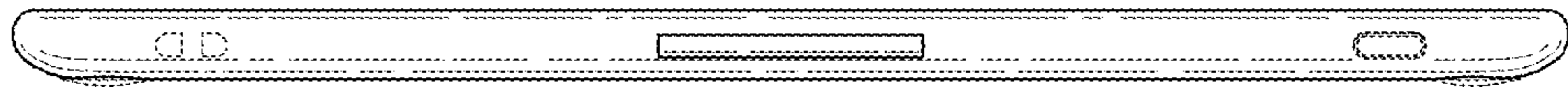


FIG. 11

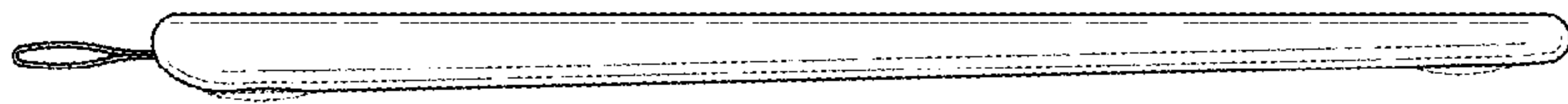


FIG. 12

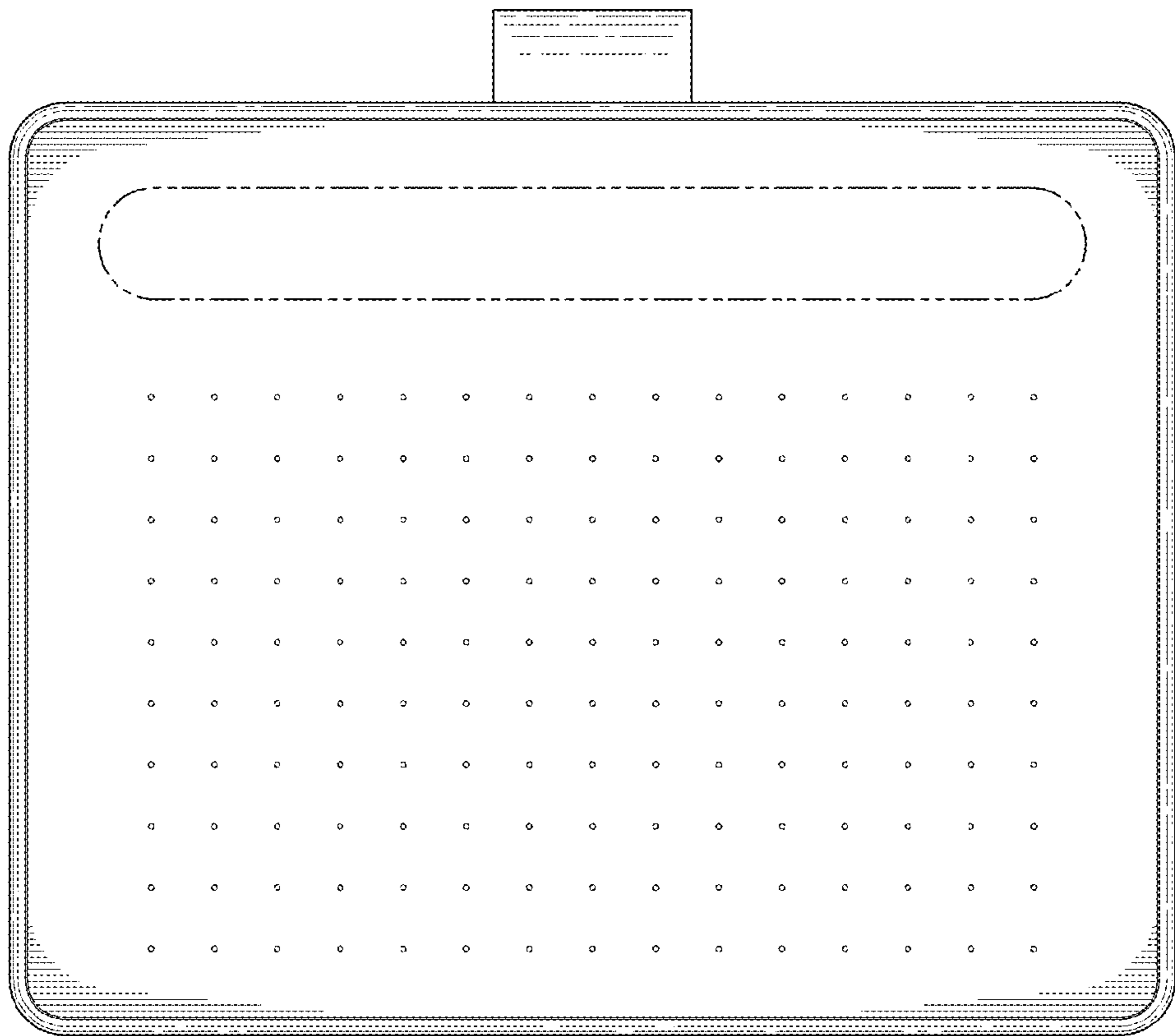


FIG. 13

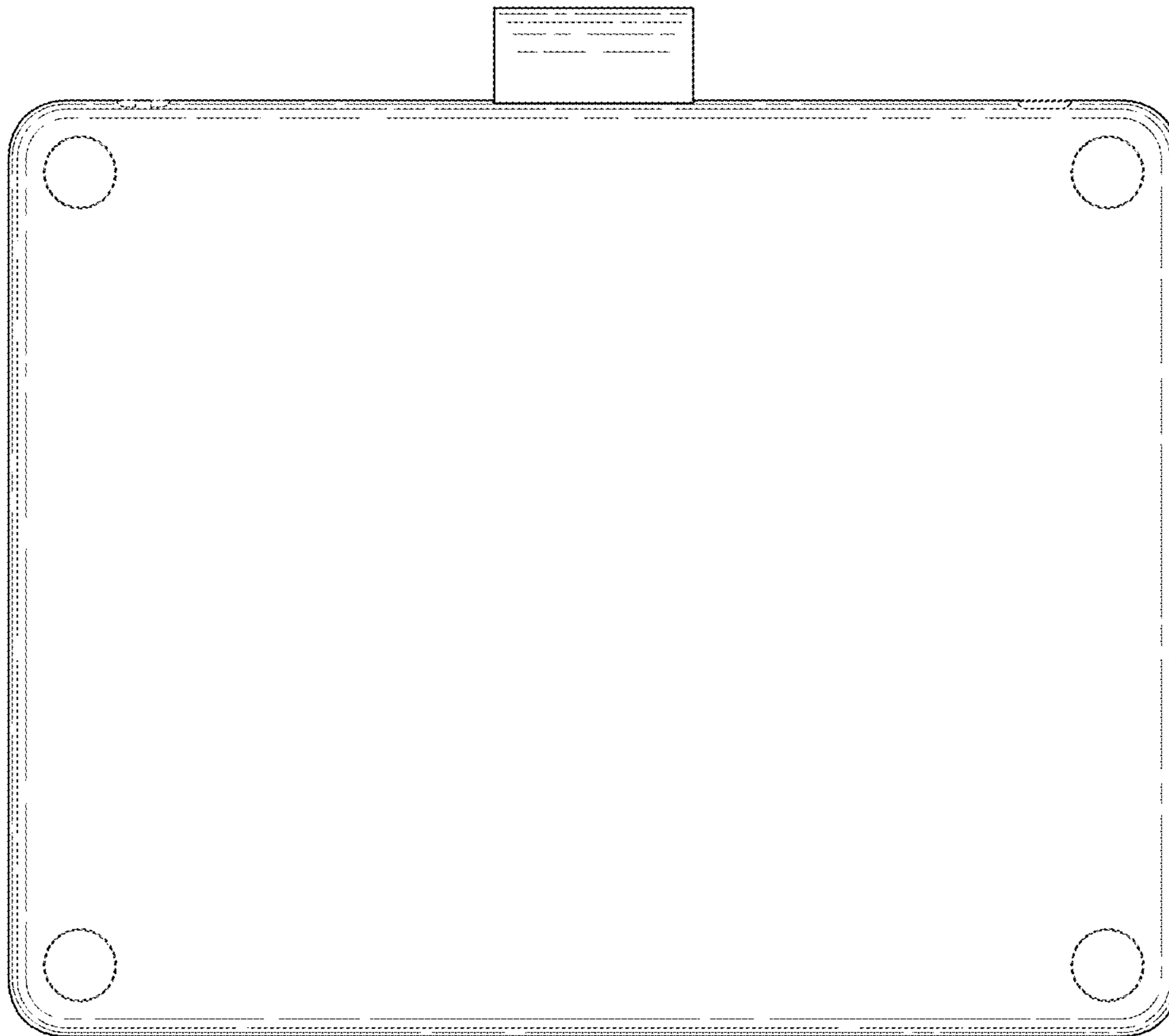


FIG. 14