



US00D876429S

(12) **United States Design Patent**
Mashimo et al.

(10) **Patent No.:** **US D876,429 S**

(45) **Date of Patent:** **** Feb. 25, 2020**

- (54) **PICK-UP CARTRIDGE**
- (71) Applicant: **Audio-Technica Corporation**, Tokyo (JP)
- (72) Inventors: **Aya Mashimo**, Tokyo (JP); **Yosuke Takubo**, Kanagawa (JP); **Daichi Yamakawa**, Kanagawa (JP); **Shohei Araki**, Kanagawa (JP)
- (73) Assignee: **AUDIO-TECHNICA CORPORATION**, Tokyo (JP)
- (**) Term: **15 Years**
- (21) Appl. No.: **29/653,793**
- (22) Filed: **Jun. 19, 2018**
- (30) **Foreign Application Priority Data**
Jan. 5, 2018 (KR) 2018-000036
- (51) **LOC (12) Cl.** **14-01**
- (52) **U.S. Cl.**
USPC **D14/264**
- (58) **Field of Classification Search**
USPC D14/199–203, 263; 369/170–173, 369/264–265
CPC B60R 11/02; B60K 37/04; B60K 37/06; H04B 1/08; H04B 1/082; G11B 17/16; G11B 23/00; G11B 19/16; G11B 3/46; H04R 11/08; H04R 11/10; H04R 11/12
See application file for complete search history.

- (56) **References Cited**
U.S. PATENT DOCUMENTS
2,820,853 A * 1/1958 Dally H04R 11/08 369/140
2,820,854 A * 1/1958 Woodworth H04R 11/10 369/172
3,060,281 A * 10/1962 Sncpvangers H04R 11/12 369/170

- D206,069 S * 10/1966 Shaper G11B 3/52 D14/264
- D222,479 S * 10/1971 Litcher D14/264
- D235,351 S * 6/1975 Deschamps D14/264
- D235,352 S * 6/1975 Deschamps D14/264
- 4,009,885 A * 3/1977 Pritchard G11B 3/46 369/172
- D255,898 S * 7/1980 Thomsen D14/264
- D258,586 S * 3/1981 Kehl D14/264
- D271,015 S * 10/1983 Geraets D14/264
- 4,441,177 A * 4/1984 Groh G11B 3/46 369/170
- D274,813 S * 7/1984 Jones H04R 11/12 D14/264
- 4,489,409 A * 12/1984 Saito G11B 21/26 369/170
- 9,497,548 B2 * 11/2016 Miyata H04R 11/08

* cited by examiner

Primary Examiner — Sandra L Morris
(74) *Attorney, Agent, or Firm* — W&C IP

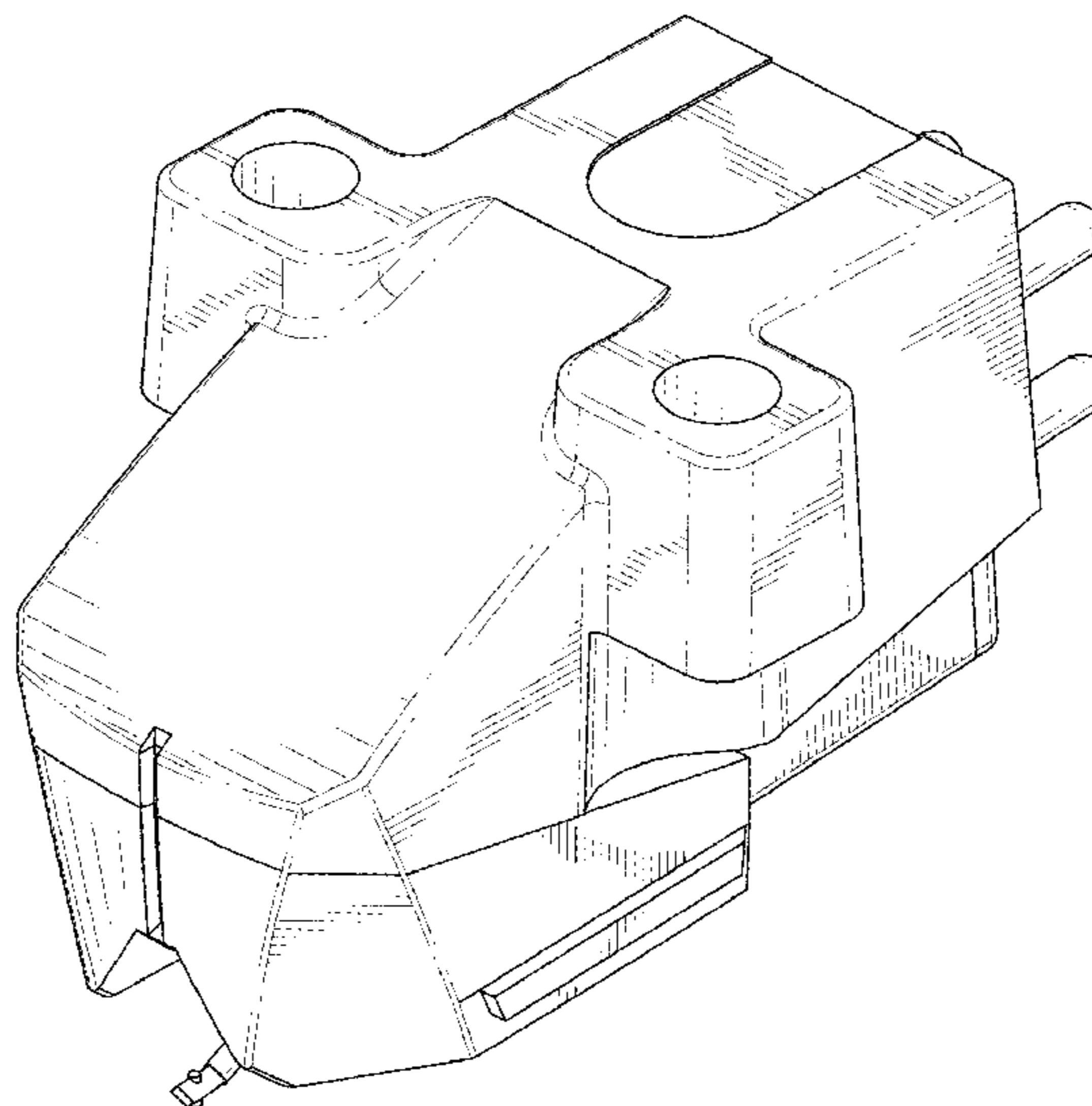
(57) **CLAIM**

The ornamental design for a pick-up cartridge, as shown and described.

DESCRIPTION

FIG. 1 is a front view of a pick-up cartridge;
FIG. 2 is a rear view thereof;
FIG. 3 is a top plan view thereof;
FIG. 4 is a bottom plan view thereof;
FIG. 5 is a left side view thereof;
FIG. 6 is a right side view thereof;
FIG. 7 is a perspective view thereof;
FIG. 8 is a front view showing a state of separation thereof;
and,
FIG. 9 is a perspective view showing the state of separation thereof, showing our design.
The design shown is not to be limited to any particular size and may be scaled larger or smaller.

1 Claim, 9 Drawing Sheets



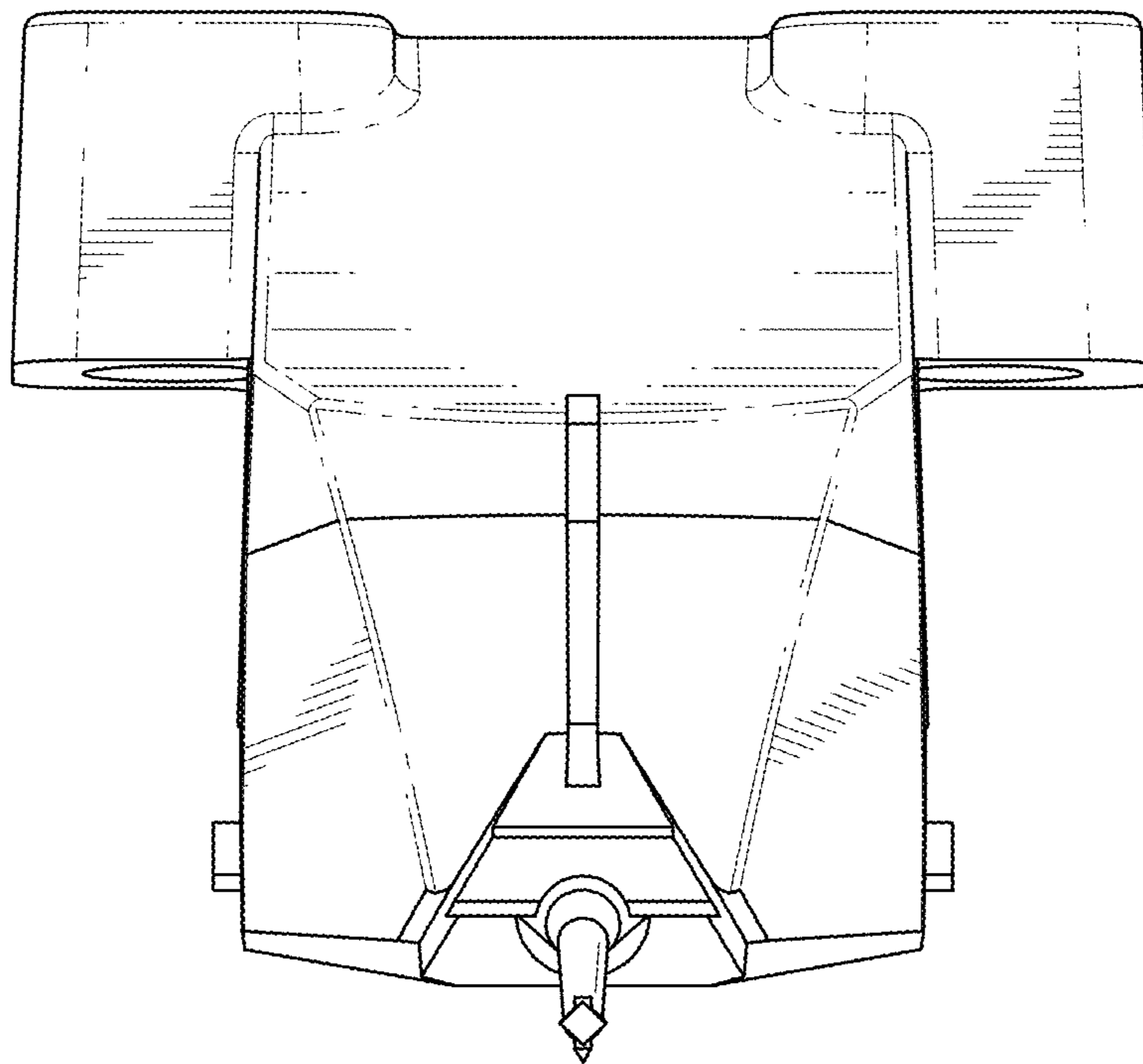


FIG. 1

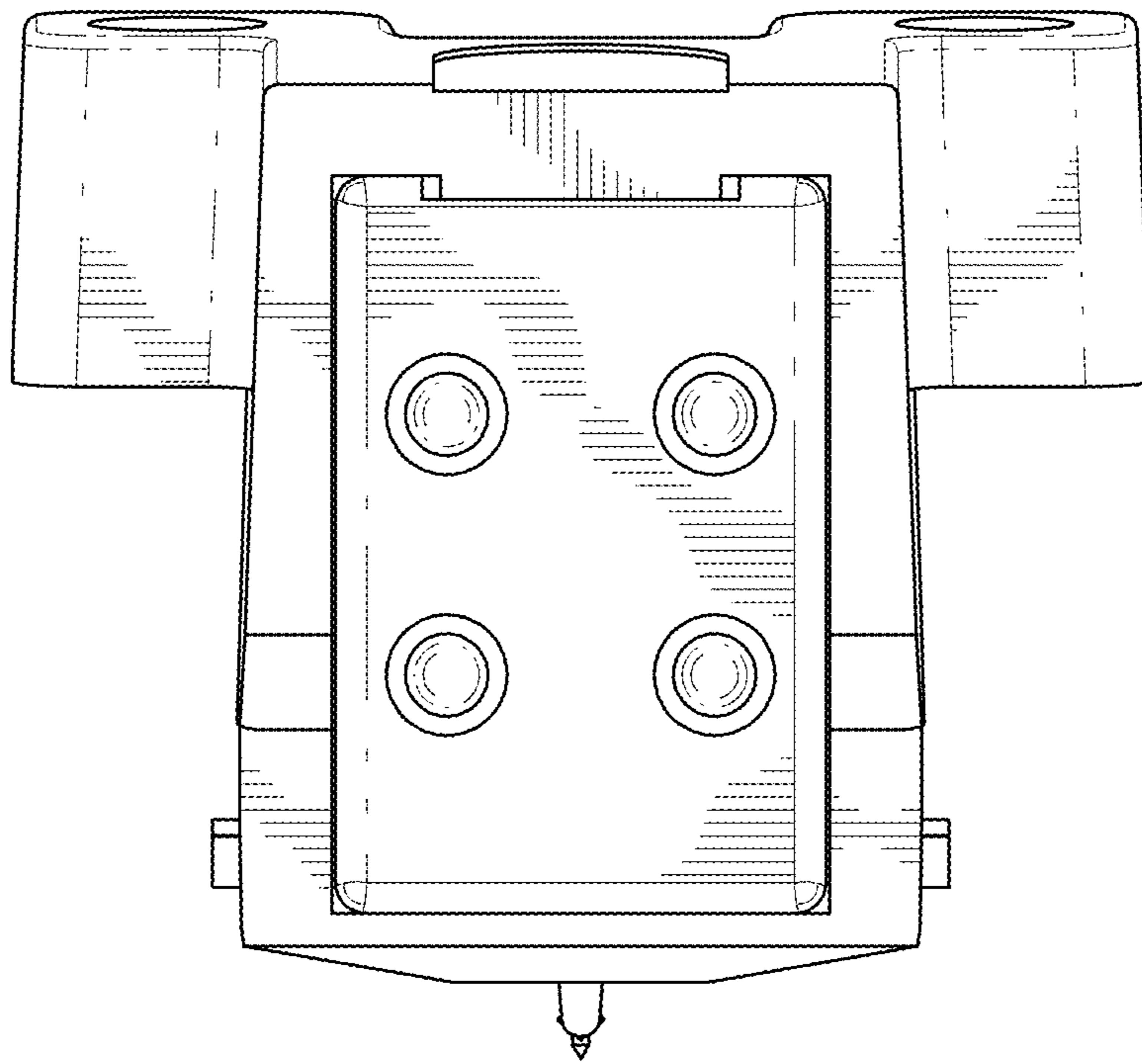


FIG. 2

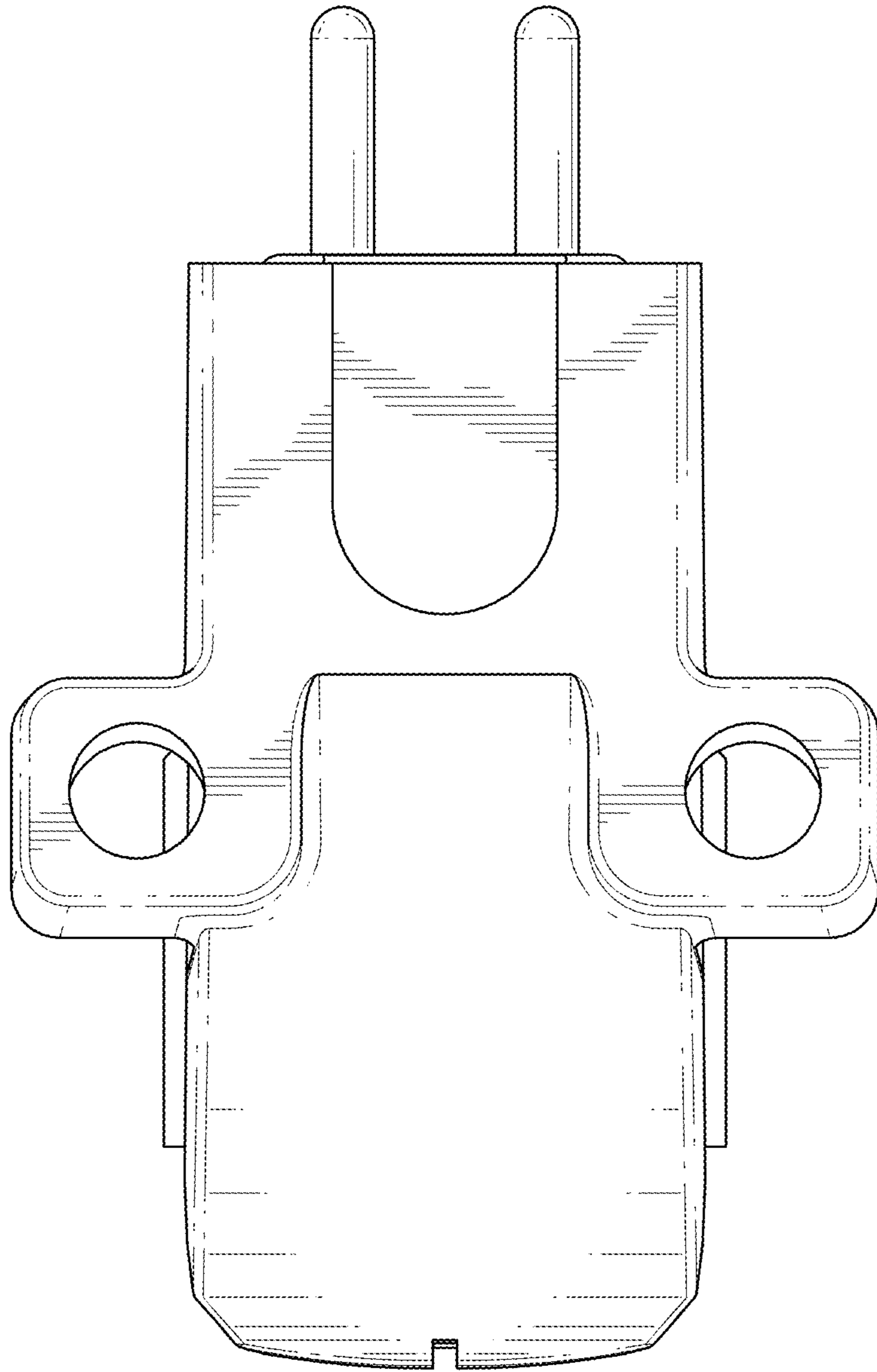


FIG. 3

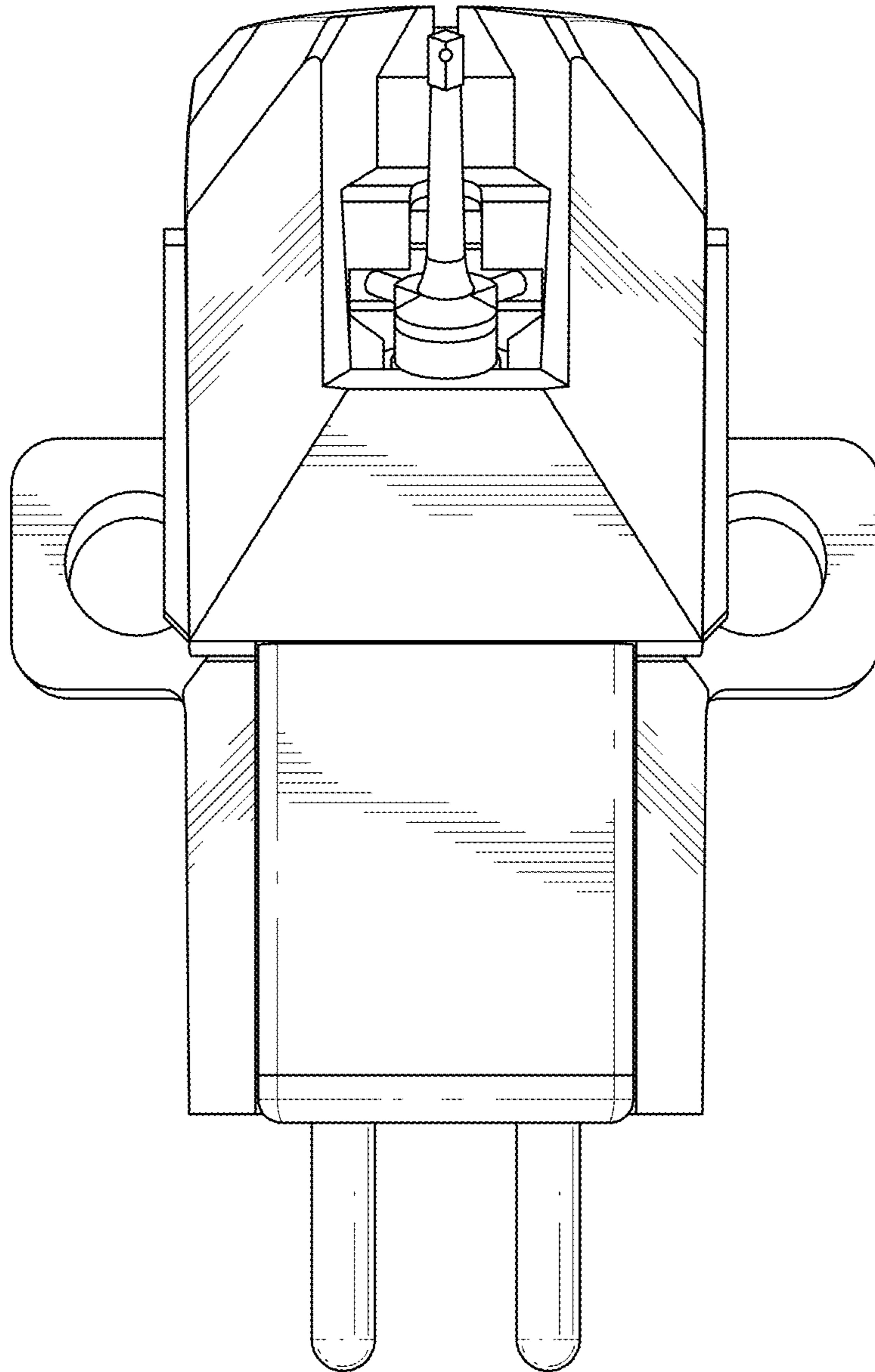


FIG.4

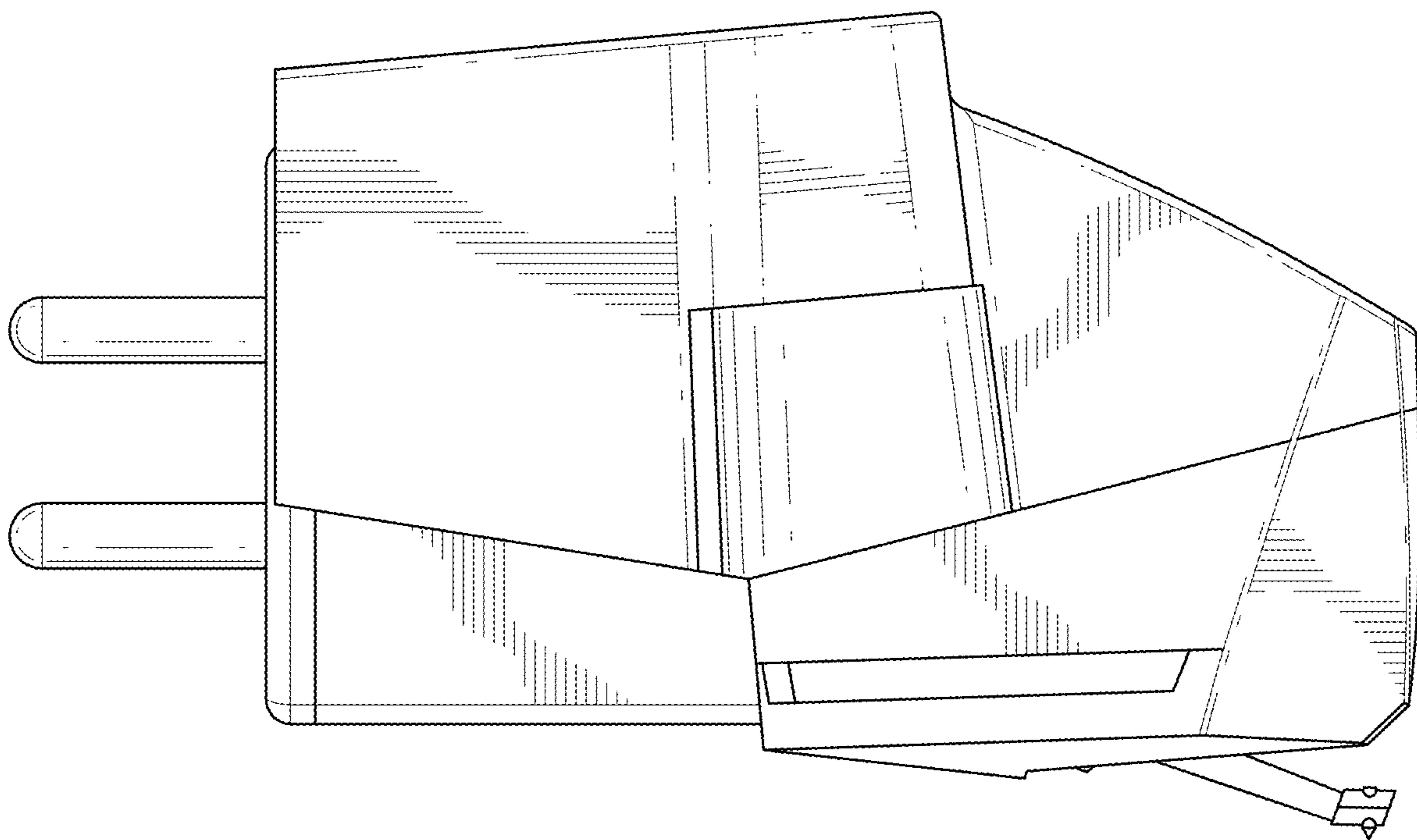


FIG. 5

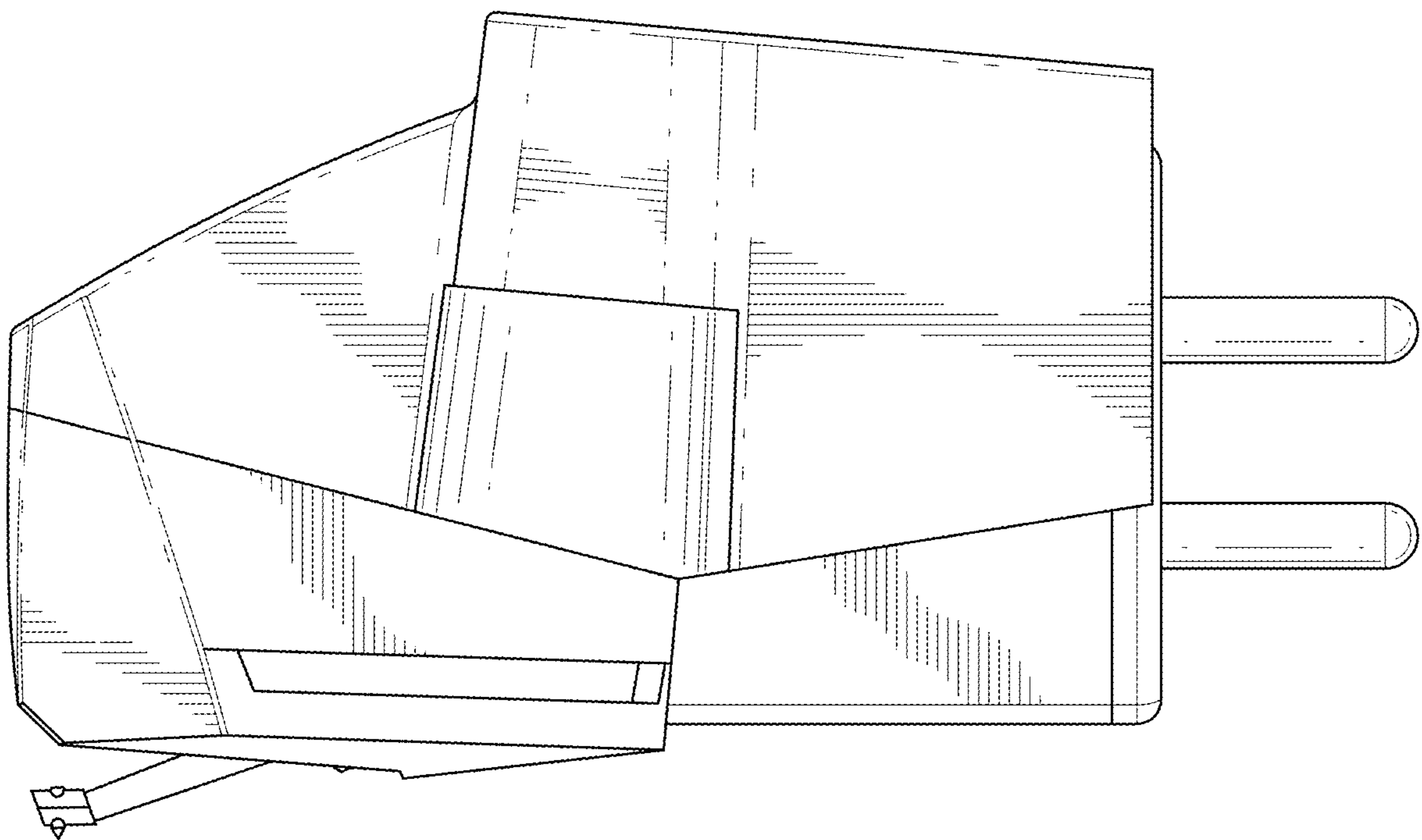


FIG.6

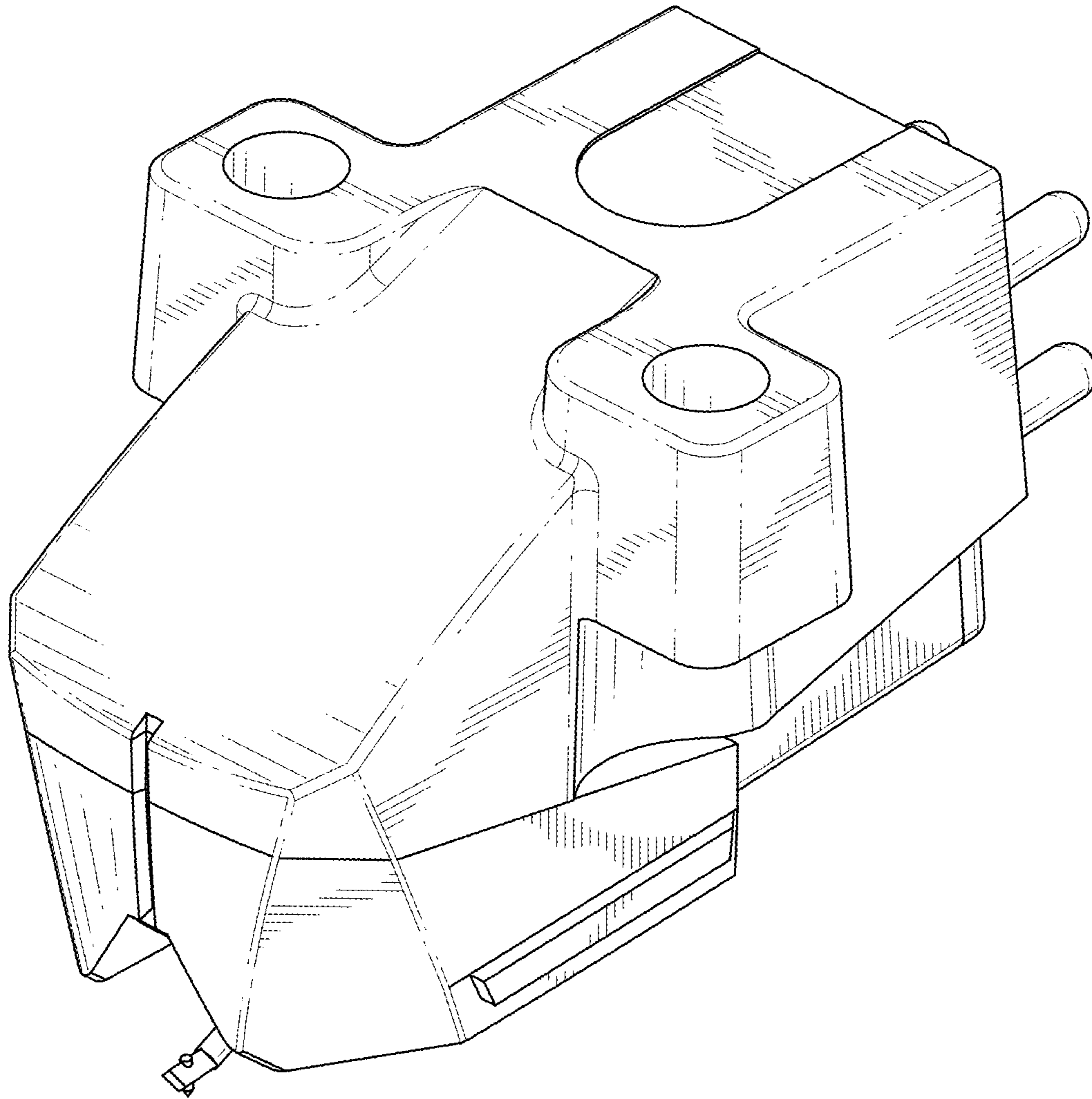


FIG. 7

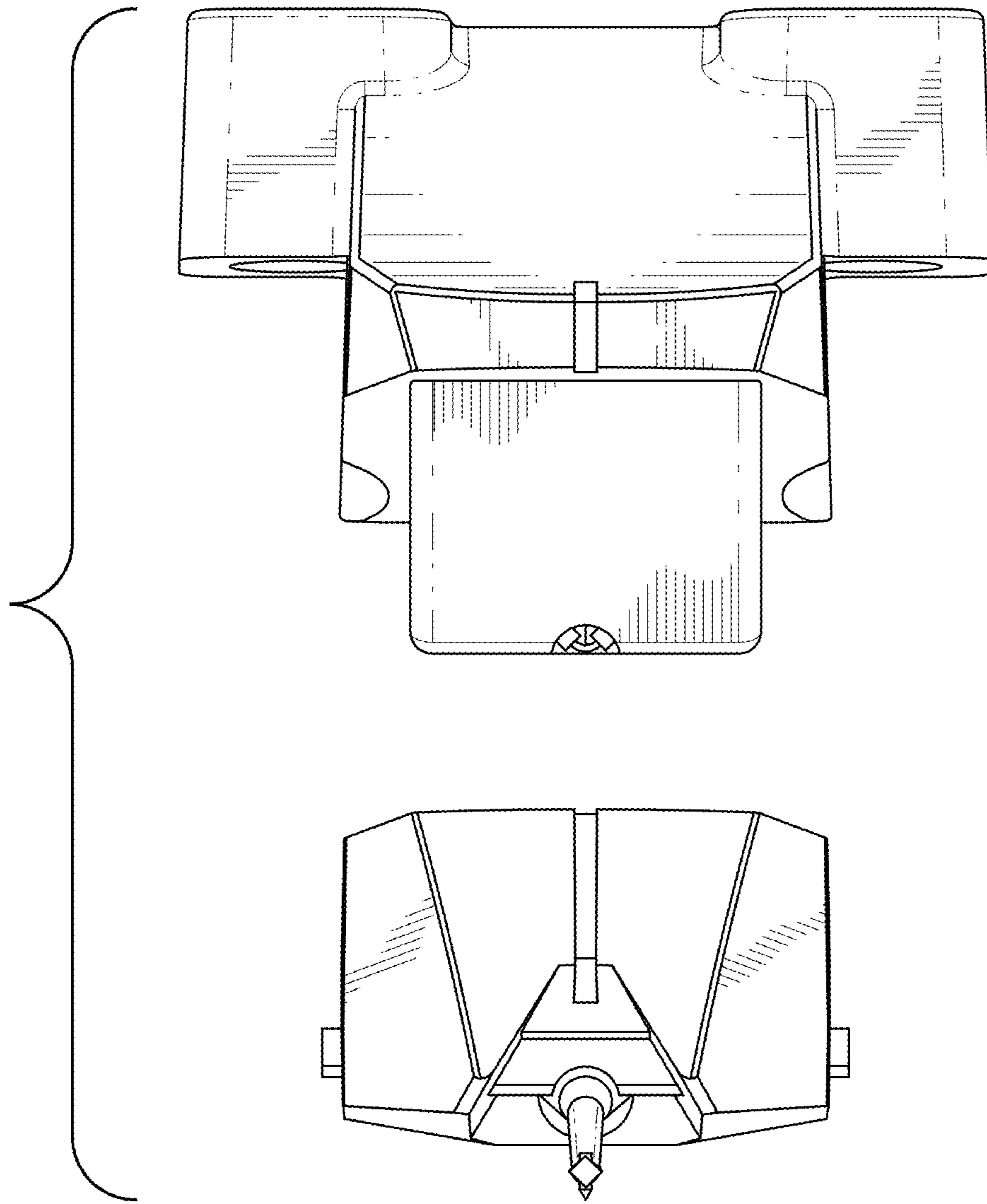


FIG. 8

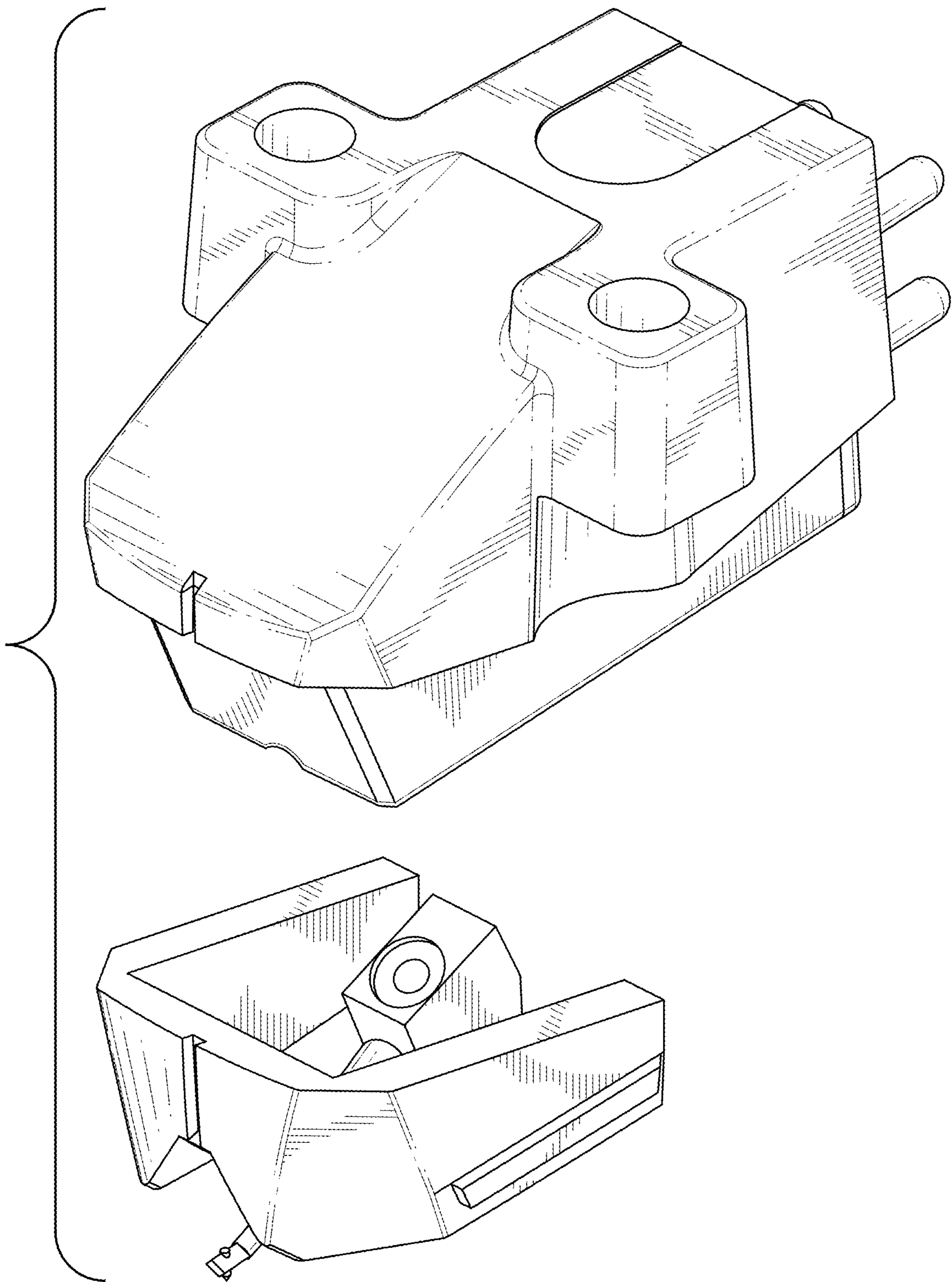


FIG. 9

UNITED STATES PATENT AND TRADEMARK OFFICE
CERTIFICATE OF CORRECTION

PATENT NO. : D876,429 S
APPLICATION NO. : 29/653793
DATED : February 25, 2020
INVENTOR(S) : Aya Mashimo et al.

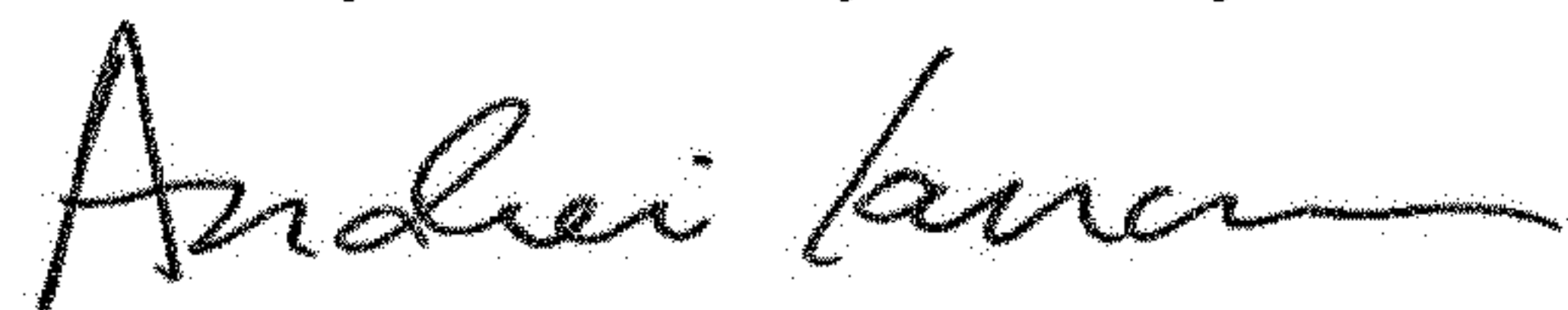
Page 1 of 1

It is certified that error appears in the above-identified patent and that said Letters Patent is hereby corrected as shown below:

On the Title Page

Item (30), Please correct the foreign application priority data to JP 2018-000036

Signed and Sealed this
Twenty-sixth Day of May, 2020



Andrei Iancu
Director of the United States Patent and Trademark Office