



US00D876428S

(12) **United States Design Patent**
Kleiner

(10) **Patent No.:** **US D876,428 S**

(45) **Date of Patent:** **** Feb. 25, 2020**

(54) **TURNTABLE FOR A RECORD PLAYER**

(71) Applicant: **Soehnke Kleiner**, Herrsching (DE)

(72) Inventor: **Soehnke Kleiner**, Herrsching (DE)

(**) Term: **15 Years**

(21) Appl. No.: **29/645,160**

(22) Filed: **Apr. 24, 2018**

(51) **LOC (12) Cl.** **14-01**

(52) **U.S. Cl.**
USPC **D14/261**

(58) **Field of Classification Search**
USPC D14/199–203, 261–264, 299;
369/264–265, 270.1, 271.1, 290.1;
312/8.1, 8.13; D12/180; D15/138, 148
CPC B60R 11/02; B60K 37/04; B60K 37/06;
H04B 1/08; H04B 1/082; G11B 17/02;
G11B 17/16; G11B 17/0281; G11B
17/2828; G11B 23/00; G11B 19/16;
G11B 33/02; G11B 3/07; G11B 25/04;
G11B 25/10

See application file for complete search history.

(56) **References Cited**

U.S. PATENT DOCUMENTS

- 1,091,001 A * 3/1914 MacDonald G11B 3/46
D14/263
- 1,170,803 A * 2/1916 Cheney H04R 7/00
D14/263
- D51,603 S * 12/1917 Merriam D14/261
- D51,604 S * 12/1917 Merriam D14/261
- D58,553 S * 8/1921 Davis D14/261
- D175,803 S * 10/1955 Smith G11B 5/012
D14/261
- D319,831 S * 9/1991 Dessi G11B 17/054
D14/261
- 5,067,034 A * 11/1991 Kido G11B 25/063
360/137
- D446,756 S * 8/2001 York D12/180

- D456,326 S * 4/2002 York G11B 25/063
D12/180
- D458,882 S * 6/2002 Oberti D12/180
- D459,282 S * 6/2002 Oberti D12/180
- D471,140 S * 3/2003 Oberti D12/180
- 6,778,487 B2 * 8/2004 Morishita G11B 17/054
369/264
- D609,147 S * 2/2010 Schmitz D12/180
- 7,796,358 B1 * 9/2010 Tchekanov G11B 5/012
360/99.12

(Continued)

Primary Examiner — Sandra L Morris

(74) *Attorney, Agent, or Firm* — Carter, DeLuca & Farrell
LLP

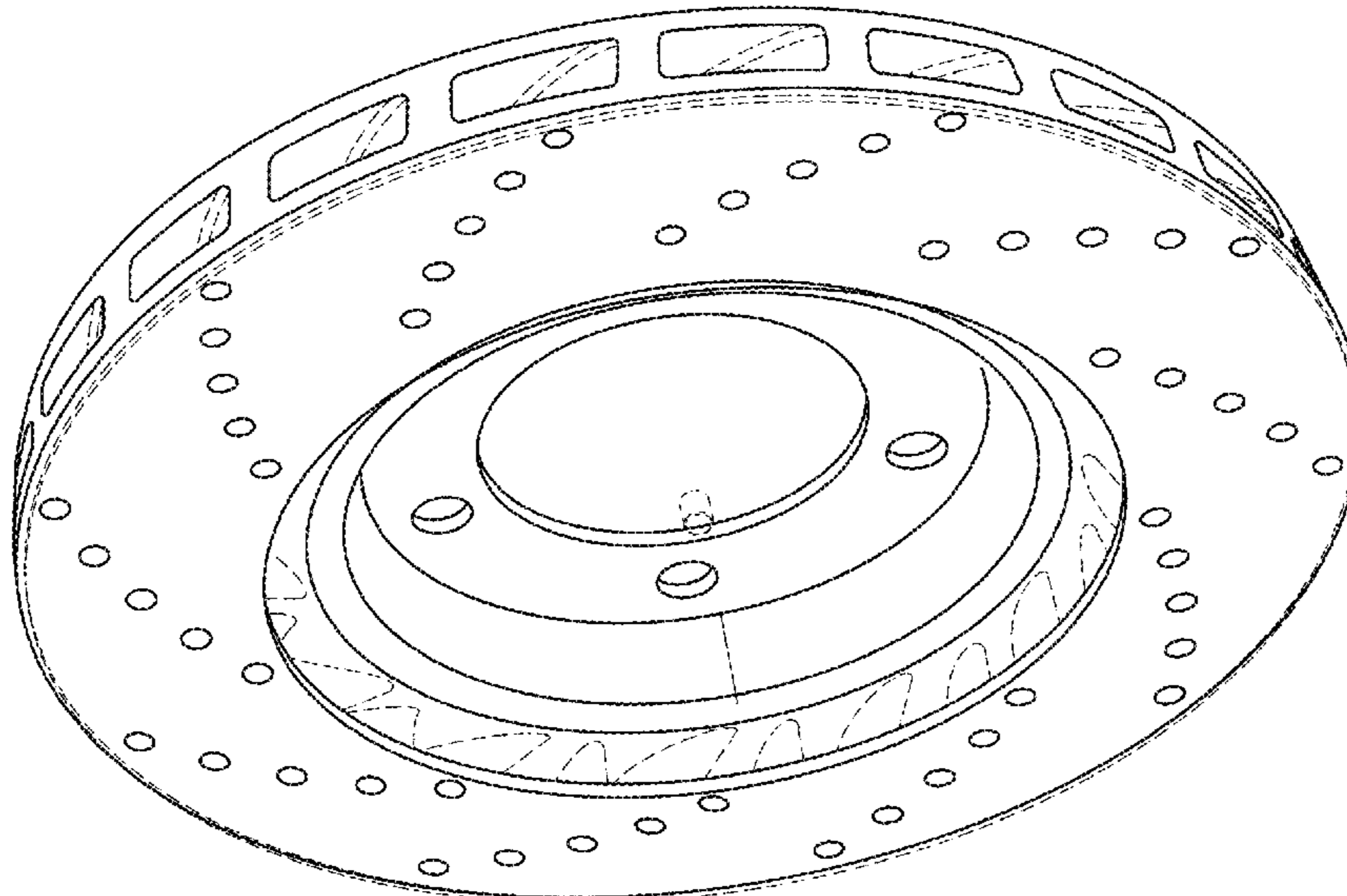
(57) **CLAIM**

The ornamental design for a turntable for a record player, as shown and described.

DESCRIPTION

FIG. 1 is a perspective view of a turntable for a record player in accordance with the present design;
 FIG. 2 is a top view of the turntable for a record player of FIG. 1;
 FIG. 3 is a bottom view of the turntable for a record player of FIG. 1;
 FIG. 4 is a left side view of the turntable for a record player of FIG. 1;
 FIG. 5 is a right side view of the turntable for a record player of FIG. 1 the right side being a mirror image of the left side;
 FIG. 6 is a front view of the turntable for a record player of FIG. 1; and,
 FIG. 7 is a rear view of the turntable for a record player of FIG. 1, the rear view being a mirror image of the front view.
 In FIGS. 1-7, the features of the turntable for a record player shown in phantom lines are for illustrative purposes only and do not constitute a part of the claimed design.

1 Claim, 7 Drawing Sheets



(56)

References Cited

U.S. PATENT DOCUMENTS

D640,960 S *	7/2011	Schmitz	G11B 3/46 D12/180
D647,442 S *	10/2011	Schmitz	D12/180
D719,198 S *	12/2014	Tsuchiya	D15/138
D747,244 S *	1/2016	Nosworthy	D12/180
9,343,101 B2 *	5/2016	Suzuki	G11B 17/02

* cited by examiner

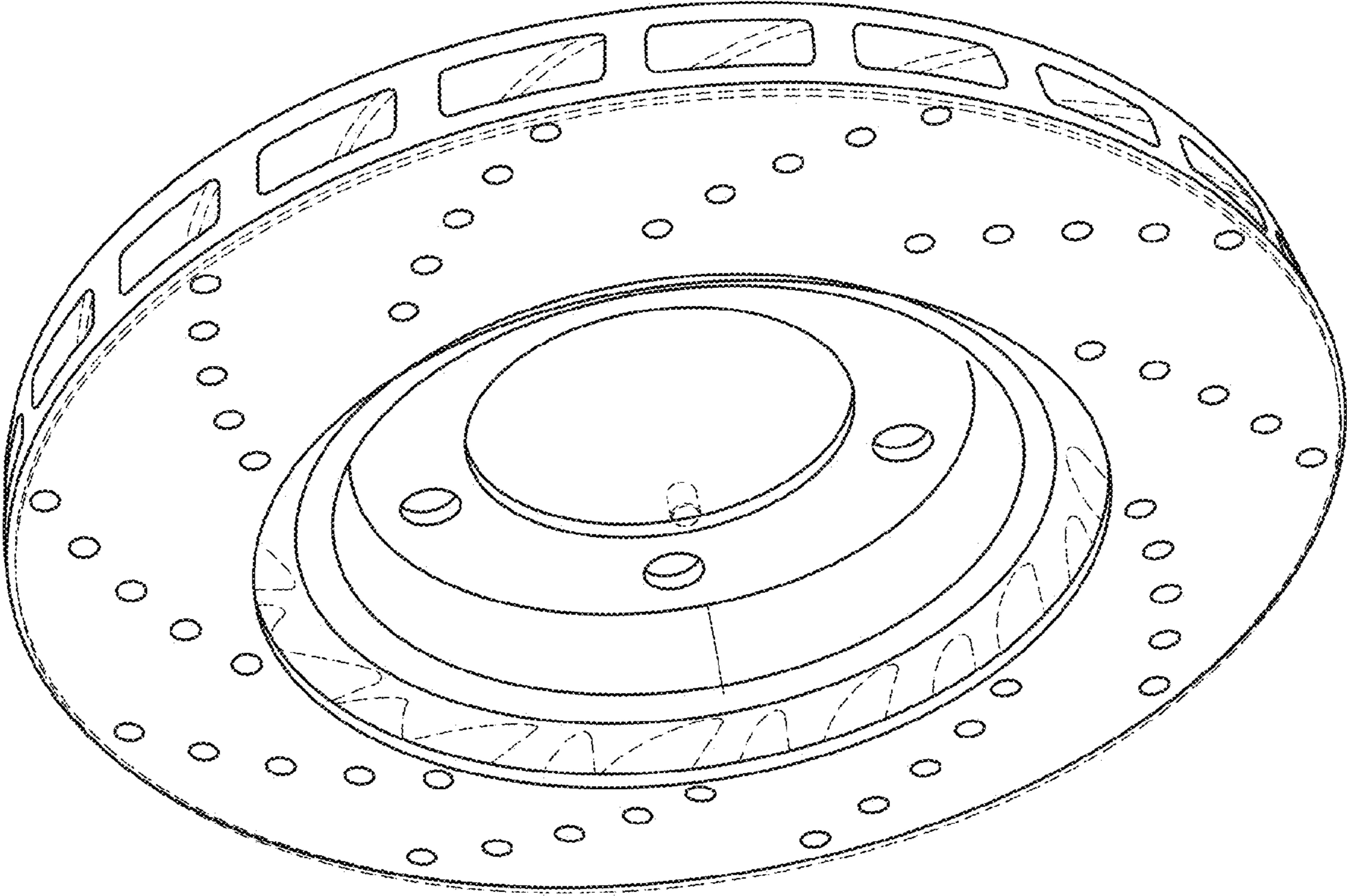


FIG. 1

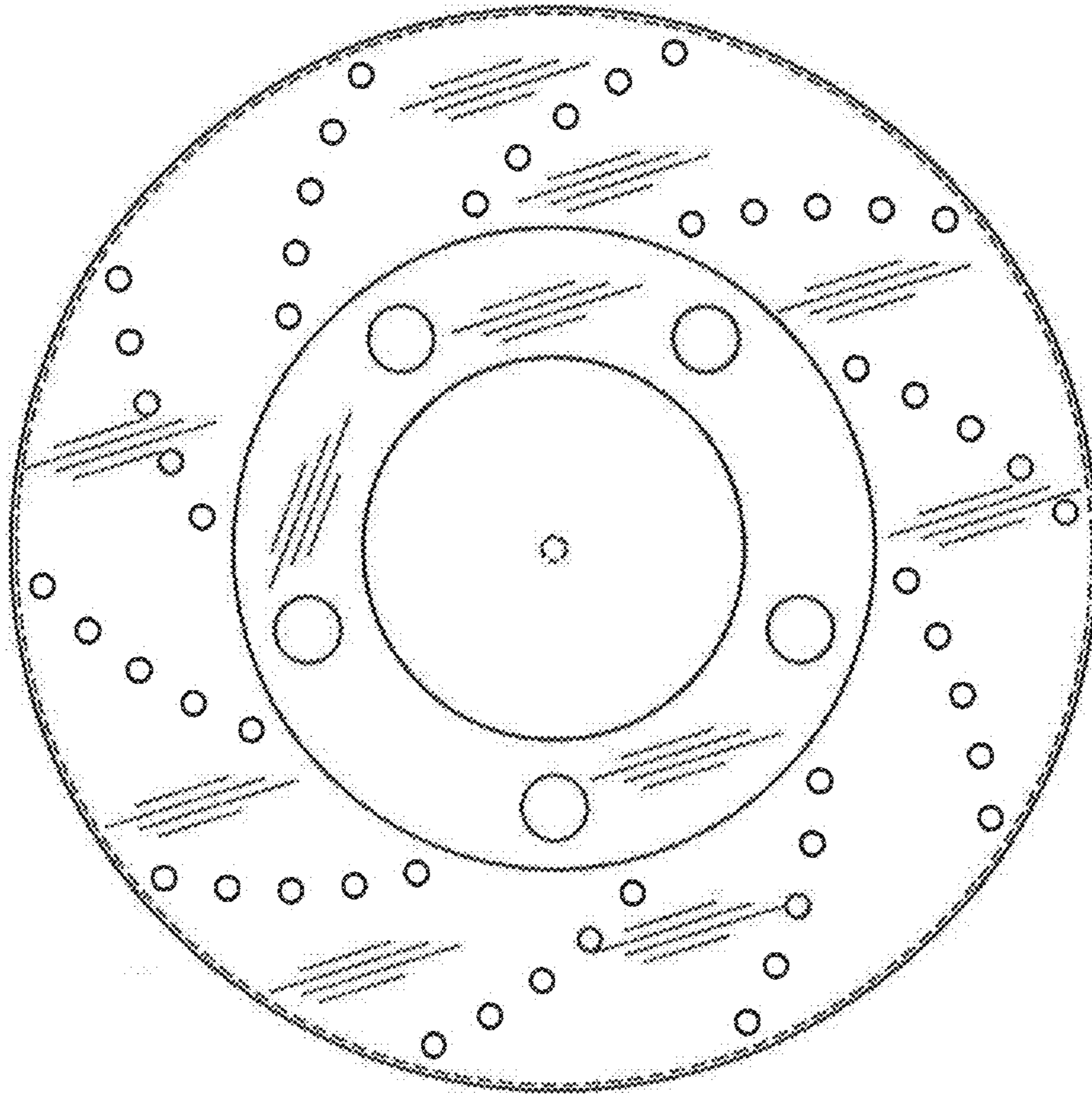


FIG. 2

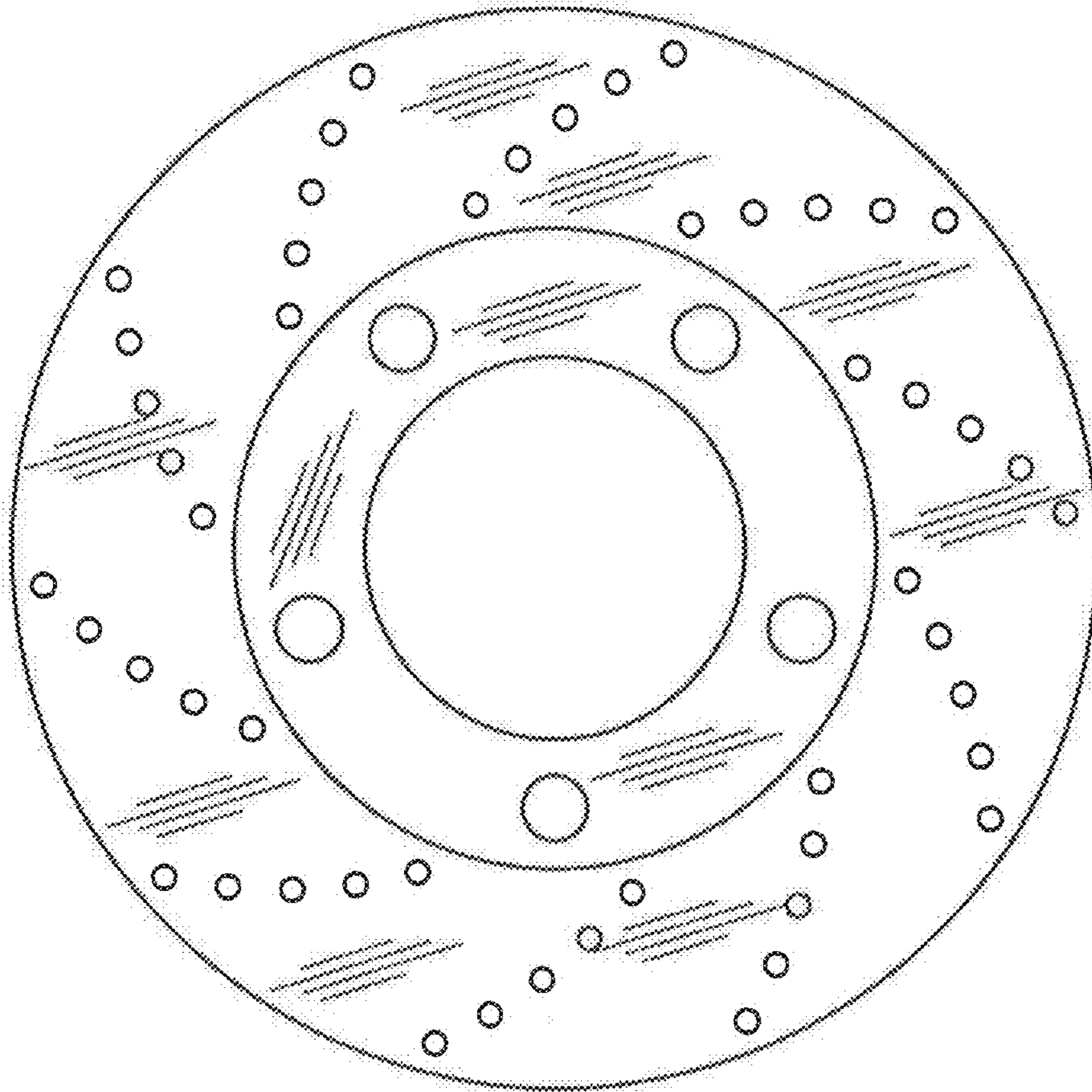


FIG. 3

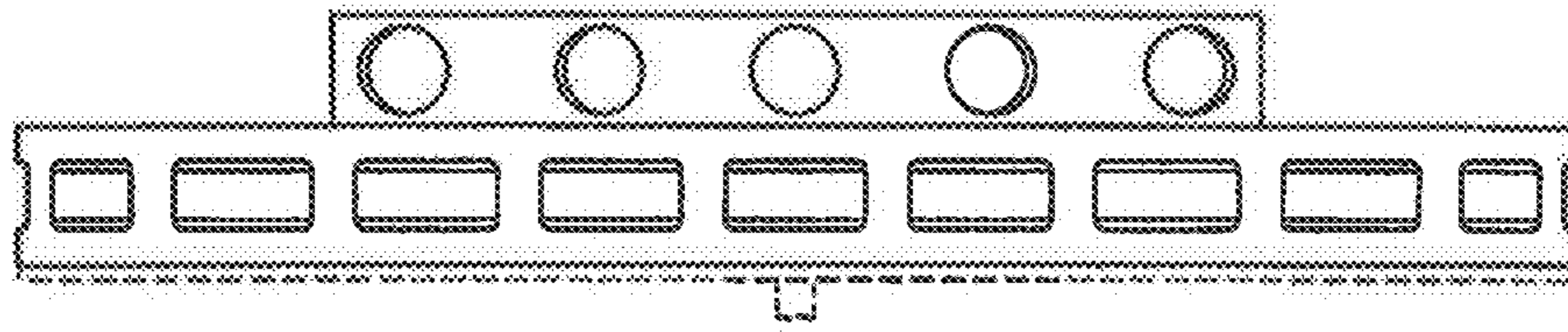


FIG. 4

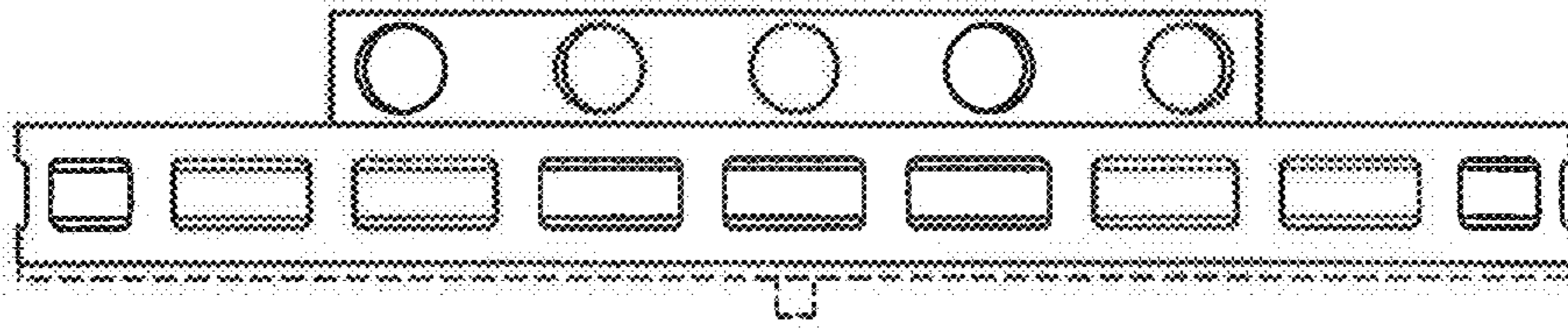


FIG. 5

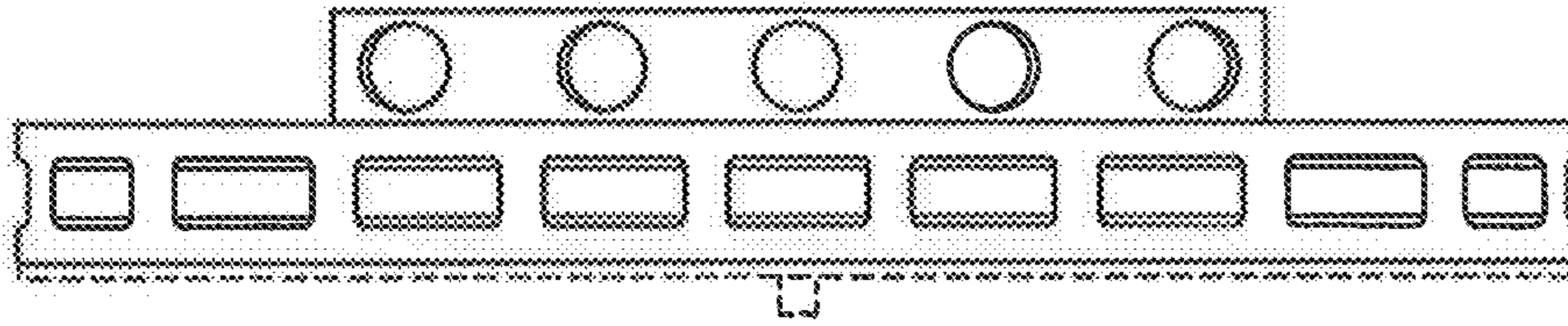
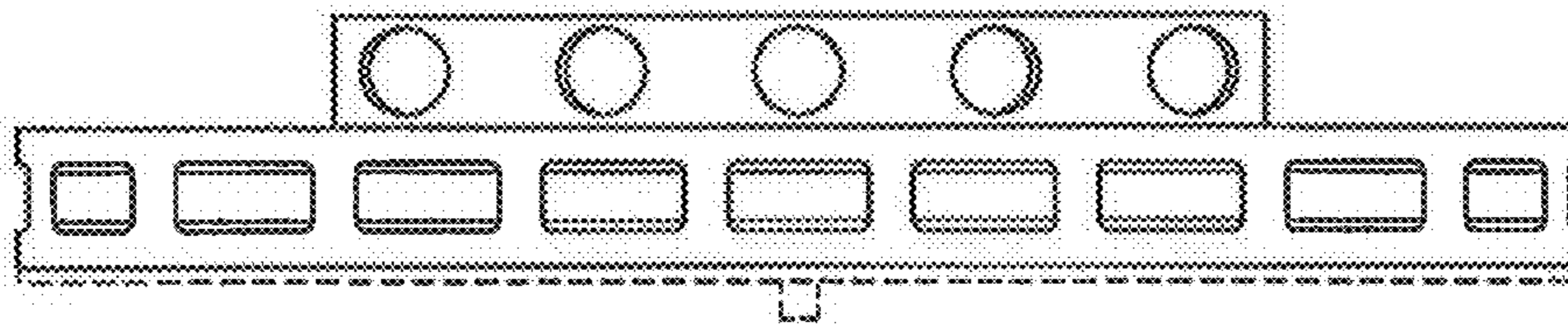


FIG. 6



.....

FIG. 7

