



US00D876427S

(12) **United States Design Patent** (10) **Patent No.:** **US D876,427 S**  
**Fiore, IV** (45) **Date of Patent:** **\*\* Feb. 25, 2020**

(54) **AUTO STEREO MOUNTING DEVICE**  
 (71) Applicant: **Metra Electronics Corporation**, Holly Hill, FL (US)  
 (72) Inventor: **Anthony Fiore, IV**, Holly Hill, FL (US)  
 (73) Assignee: **Metra Electronics Corporation**, Holly Hill, FL (US)

D639,287 S *	6/2011	Quilling, II	.....	D14/258
D639,793 S *	6/2011	Quilling, II	.....	D14/258
D716,790 S *	11/2014	Fiore, IV	.....	D14/258
D725,096 S *	3/2015	Quilling, II	.....	D14/258
D726,176 S *	4/2015	Quilling, II	.....	D14/258
D727,888 S *	4/2015	Fiore, IV	.....	D14/258
D740,270 S *	10/2015	Fiore, IV	.....	D14/258
D755,779 S *	5/2016	Fiore, IV	.....	D14/258
D757,707 S *	5/2016	Quilling, II	.....	D14/258
D770,439 S *	11/2016	Fiore, IV	.....	D14/258
D788,095 S *	5/2017	Quilling	.....	D14/258
D788,766 S *	6/2017	Quilling	.....	D14/258
D791,119 S *	7/2017	Quilling	.....	D14/258

(\*\*) Term: **15 Years**

\* cited by examiner

(21) Appl. No.: **29/682,214**

*Primary Examiner* — Sandra L Morris

(22) Filed: **Mar. 4, 2019**

(74) *Attorney, Agent, or Firm* — J. Wiley Horton

(51) **LOC (12) Cl.** ..... **14-03**

(57) **CLAIM**

(52) **U.S. Cl.**  
USPC ..... **D14/258**

The ornamental design for an “auto stereo mounting device”, as shown and described.

(58) **Field of Classification Search**  
 USPC ..... D12/192, 195, 415, 420; D14/496, D14/498–506, 154, 157, 168–171, D14/188–198, 257–258; 248/27.1, 27.3, 248/558; 455/347, 350  
 CPC ..... B60R 11/02; B60K 37/04; B60K 37/06  
 See application file for complete search history.

**DESCRIPTION**

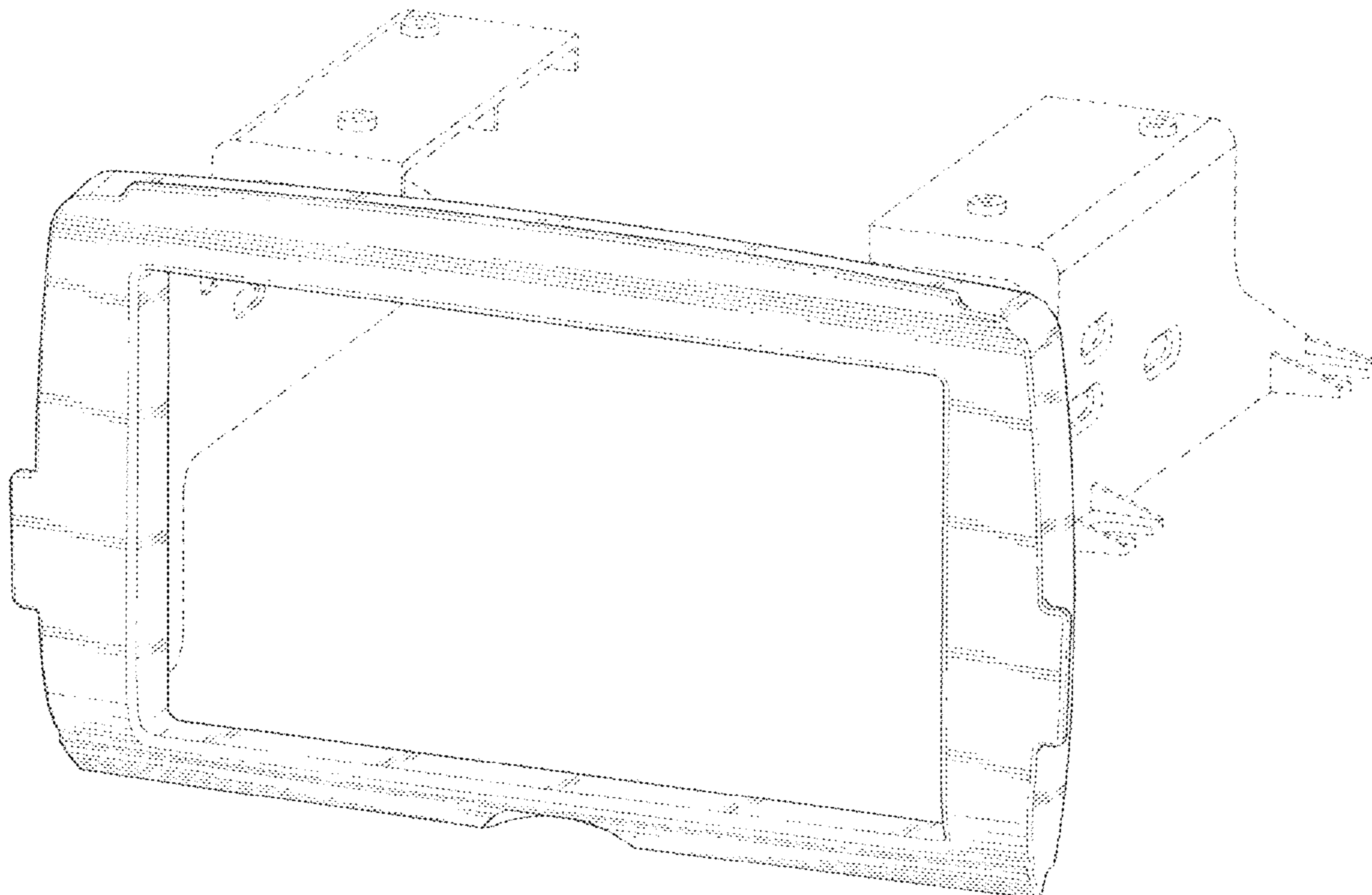
(56) **References Cited**

**U.S. PATENT DOCUMENTS**

D401,591 S *	11/1998	Jones, Jr.	.....	D14/258
D545,661 S *	7/2007	Quilling, II	.....	D14/258
D602,930 S *	10/2009	Quilling, II	.....	D14/258

FIG. 1 is a perspective view of an auto stereo mounting device, showing my design;  
 FIG. 2 is a front elevation view of FIG. 1;  
 FIG. 3 is a rear elevation view of FIG. 1;  
 FIG. 4 is a left side elevation view of FIG. 1;  
 FIG. 5 is a right side elevation view of FIG. 1;  
 FIG. 6 is a top plan view of FIG. 1; and,  
 FIG. 7 is a bottom plan view of FIG. 1.  
 The broken lines shown in all views illustrate mounting features which form no part of the claimed design.

**1 Claim, 7 Drawing Sheets**



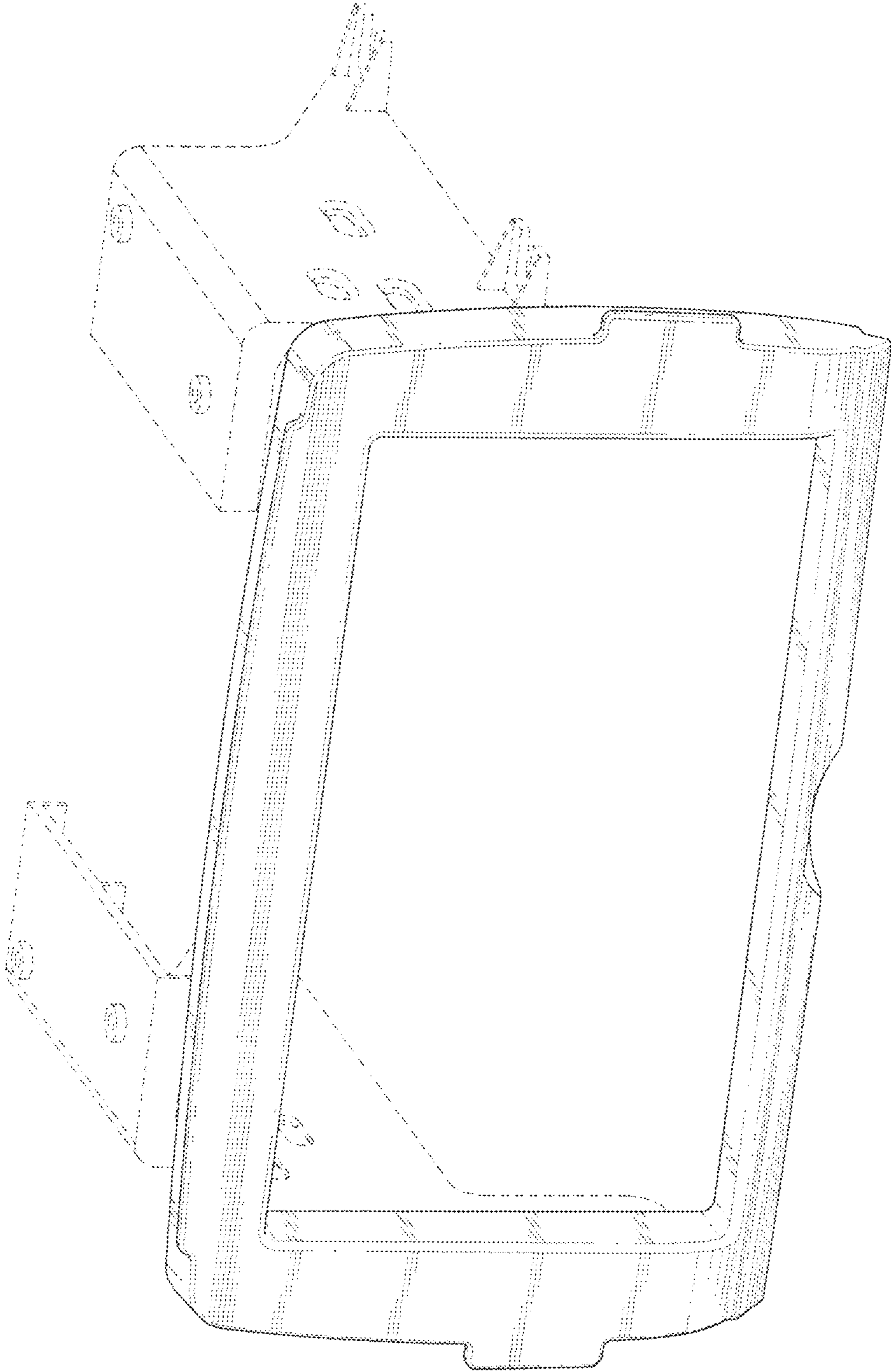


FIG. 1

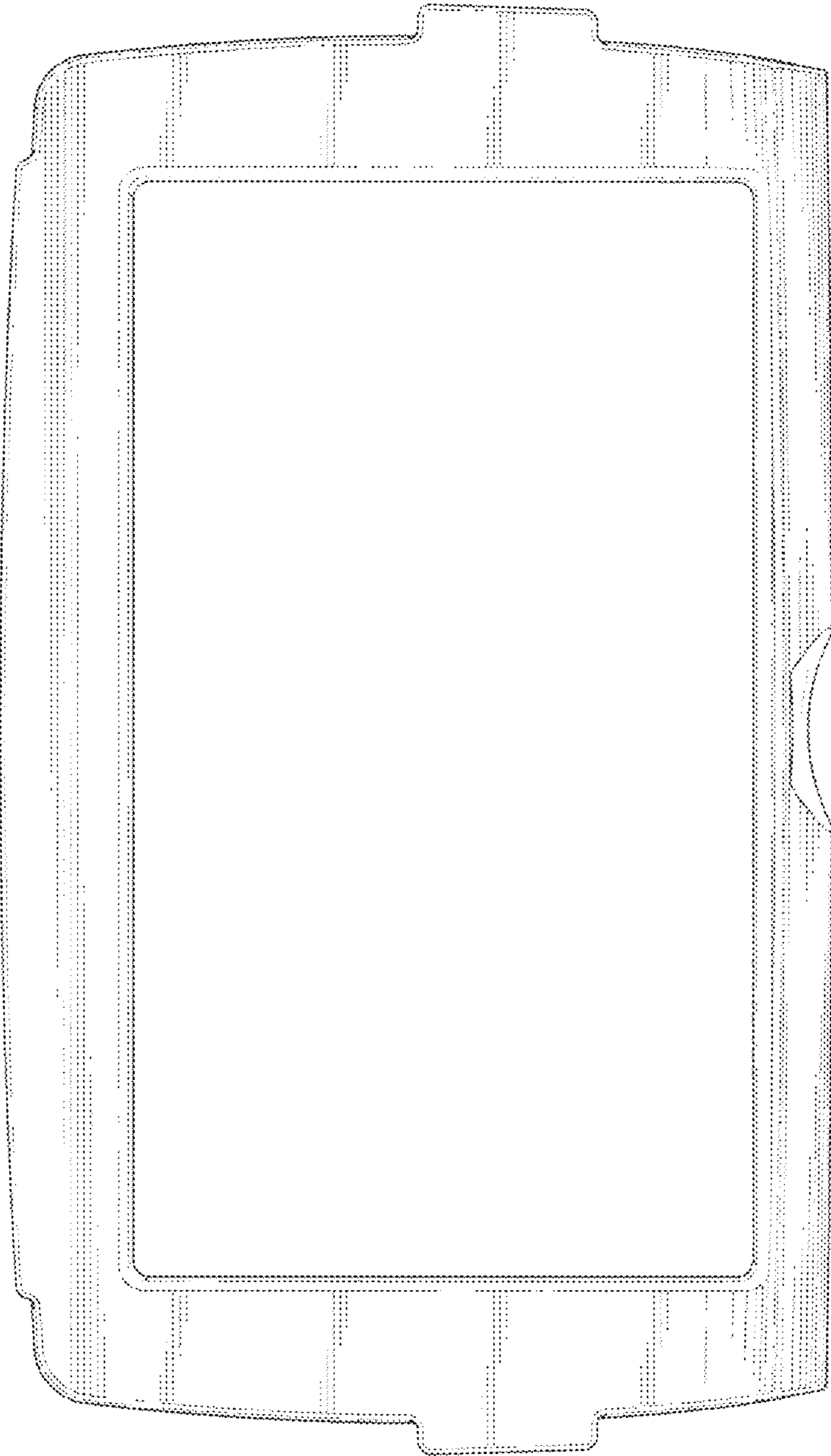


FIG. 2

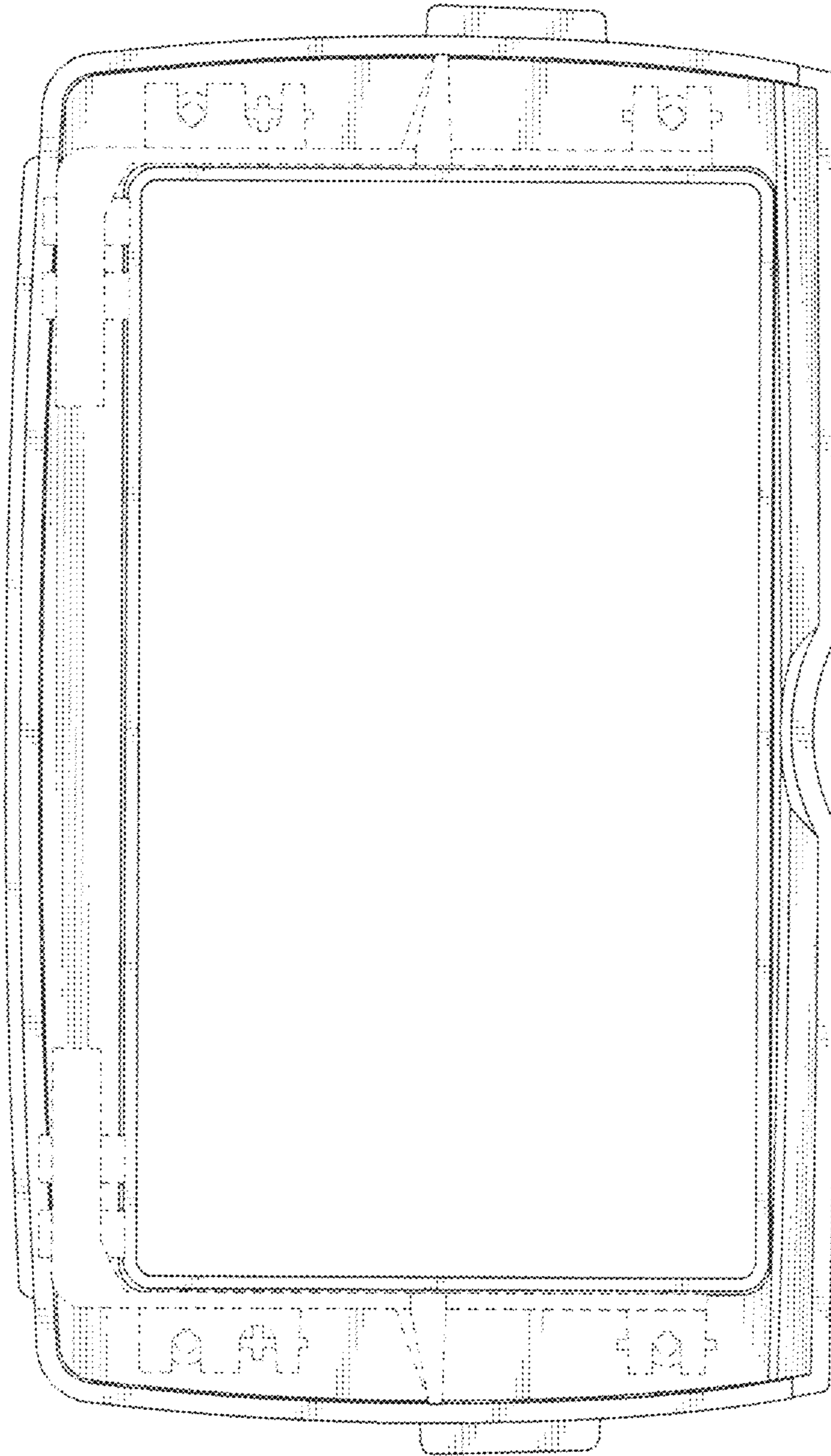


FIG. 3

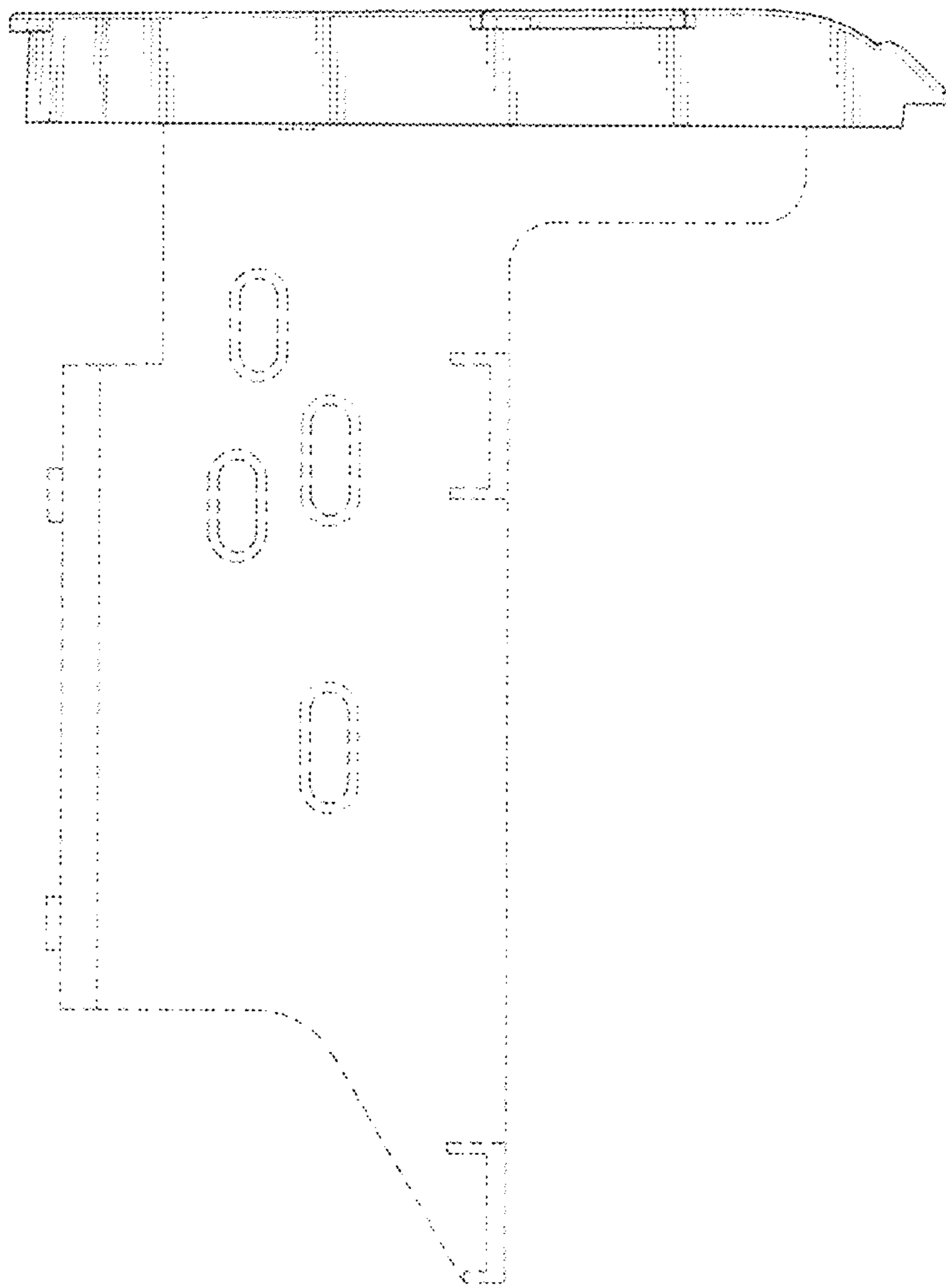


FIG. 4

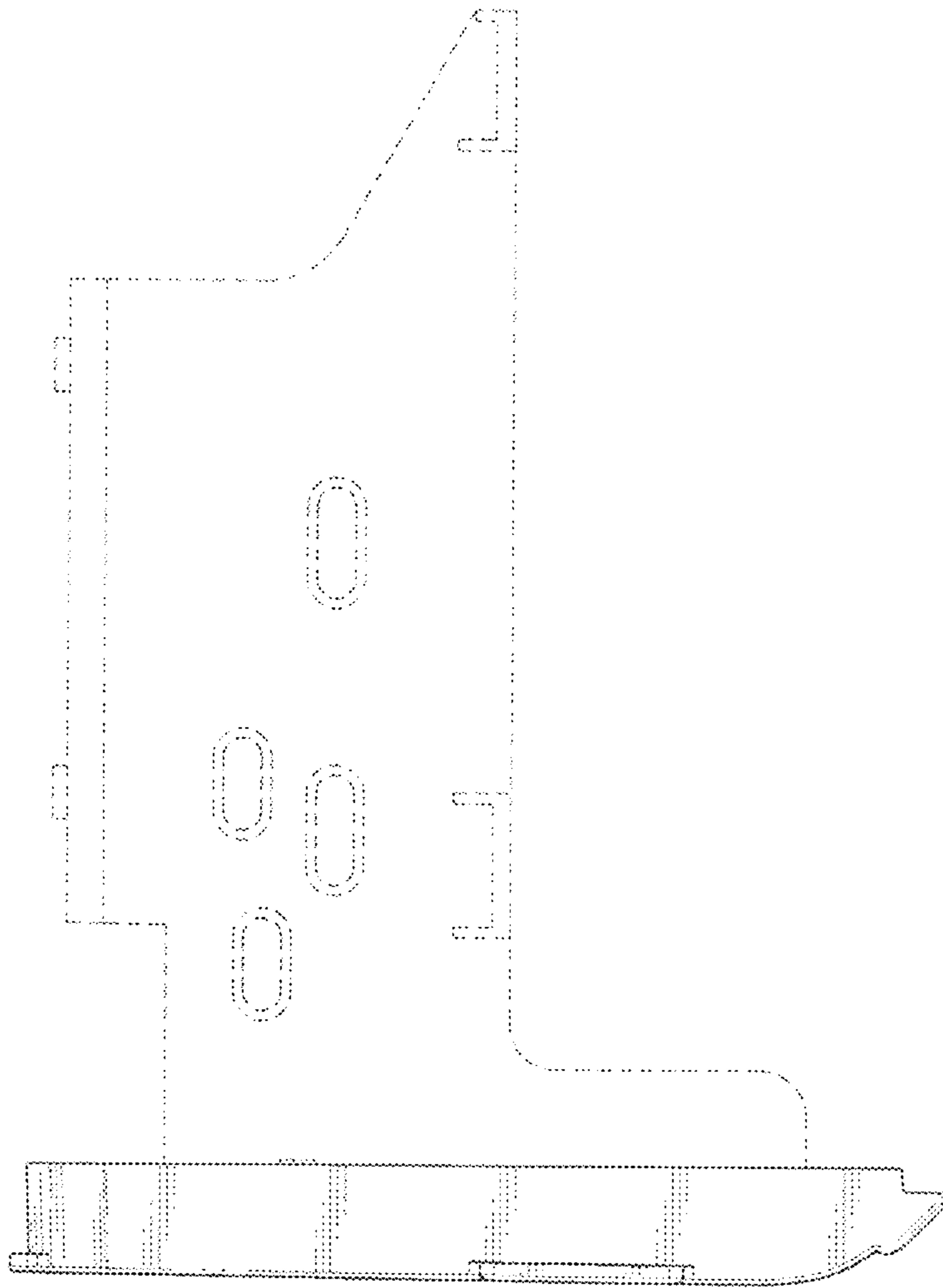


FIG. 5

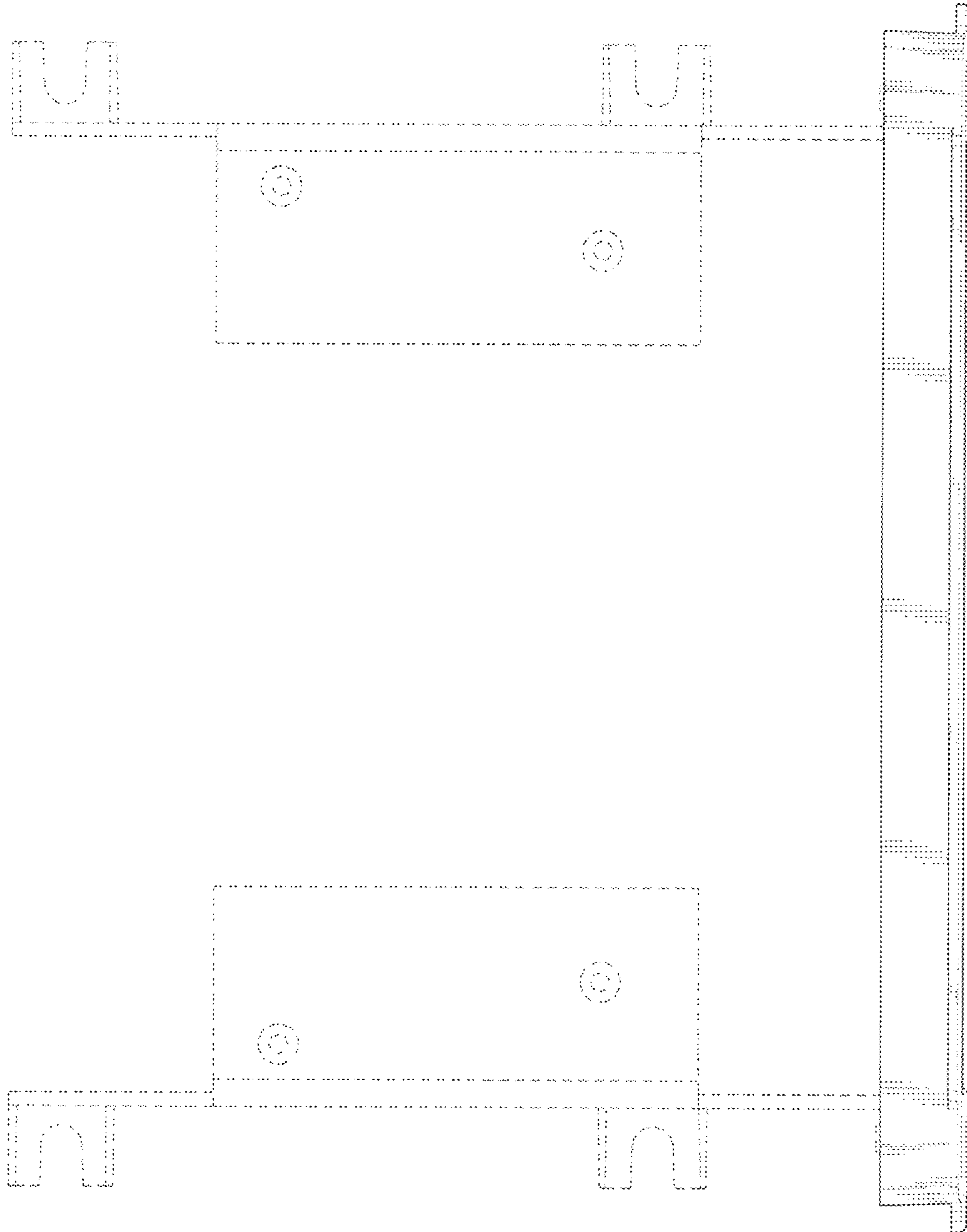


FIG. 6

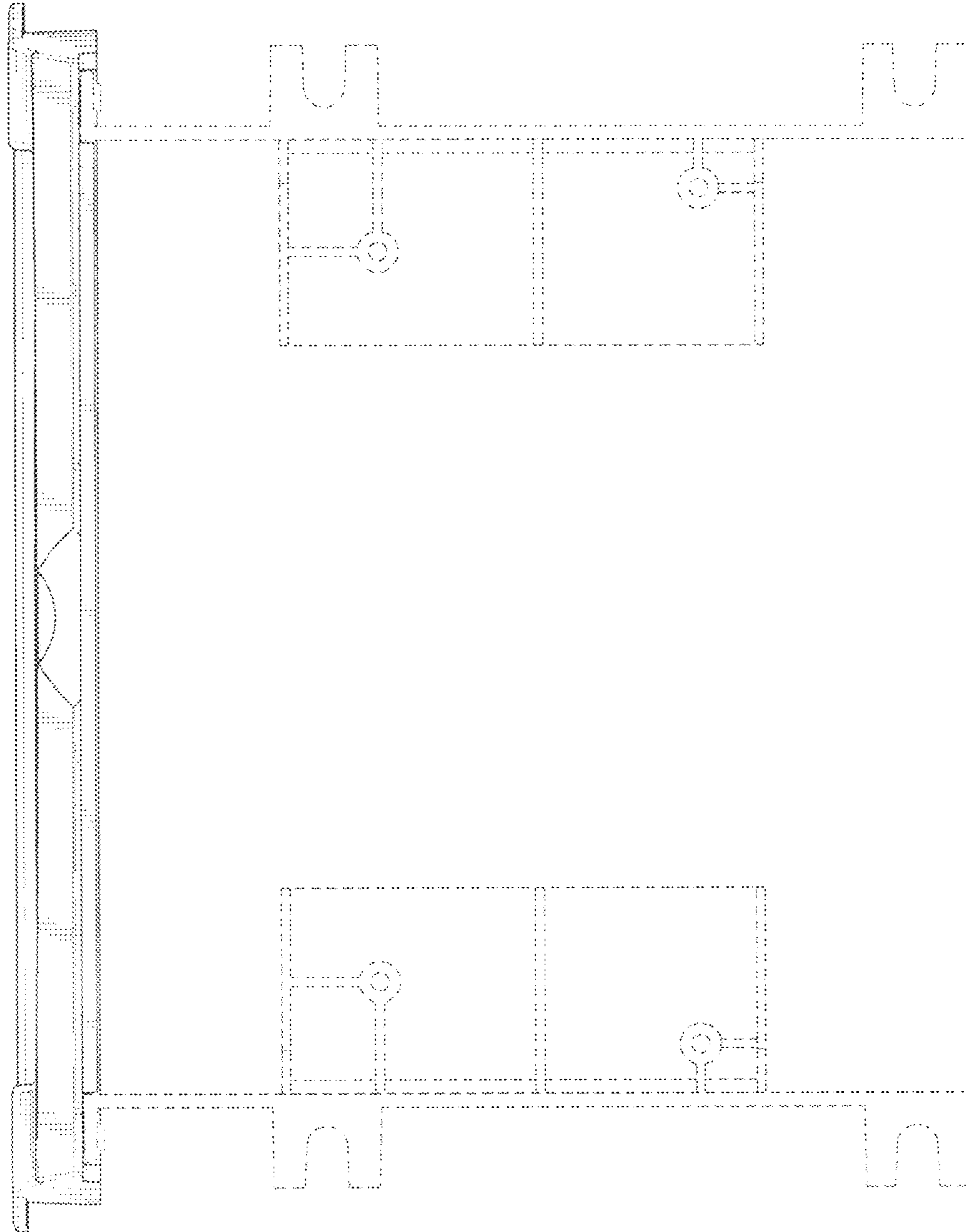


FIG. 7