



US00D876424S

(12) **United States Design Patent** (10) **Patent No.:** **US D876,424 S**
Ryan (45) **Date of Patent:** **** Feb. 25, 2020**

(54) **WALL CELL PHONE HOLDER**
(71) Applicant: **Tara Kathleen Ryan**, Pomona, CA (US)
(72) Inventor: **Tara Kathleen Ryan**, Pomona, CA (US)
(**) Term: **15 Years**
(21) Appl. No.: **29/653,434**
(22) Filed: **Jun. 14, 2018**
(51) **LOC (12) Cl.** **14-99**
(52) **U.S. Cl.**
USPC **D14/253; D6/553**
(58) **Field of Classification Search**
USPC D14/250-254, 224, 224.1, 238.1, 434, D14/447, 451, 452, 483; D12/400, D12/415-418, 420, 426.1, 114, 223; D16/242, 245; D10/74; D3/218; D13/107, 108; D6/553, 567; D19/84, D19/86, 90, 91; D1/122; D7/504; D32/55
CPC B60R 11/00; B60R 11/02; B60R 11/0241; B60R 11/0252; B60R 2011/0003; B60R 2011/0005; B60R 2011/0008; H04M 1/04; H04B 1/3877; A45F 2200/0516; A45F 2200/0525; H05K 5/0204; F16M 13/02; F16M 13/022; F16M 11/04; F16M 11/041; F16M 11/14; F16M 11/22; F16B 2/12; H01F 7/0252; G03B 17/561
See application file for complete search history.

D314,114 S *	1/1991	Steinman	D6/567
D318,984 S *	8/1991	Wickham	D7/504
D412,770 S *	8/1999	Martinez	D1/101
D421,272 S *	2/2000	Patel	D19/86
D524,112 S *	7/2006	Cogley	D1/105
D532,234 S *	11/2006	Snell	D6/567
D539,064 S *	3/2007	Militello	D6/580
D590,126 S *	4/2009	Kovich	D1/122
D649,145 S *	11/2011	LaFargue	D14/253
D654,954 S *	2/2012	Chuang	D19/91
D714,793 S *	10/2014	Kim	D14/447
D720,564 S *	1/2015	Buller	D6/682
D743,955 S *	11/2015	Wu	D14/253
D759,928 S *	6/2016	Goodman	D32/55
D764,132 S *	8/2016	Goodman	D32/55
D810,464 S *	2/2018	Brogan	D6/553
D811,679 S *	2/2018	Goodman	D32/55
D850,056 S *	6/2019	Crosby	D1/122
2006/0147587 A1 *	7/2006	Kovich	A21C 15/025 426/138

* cited by examiner

Primary Examiner — Jeffrey D Asch
Assistant Examiner — Rebekah A Caruso

(57) **CLAIM**

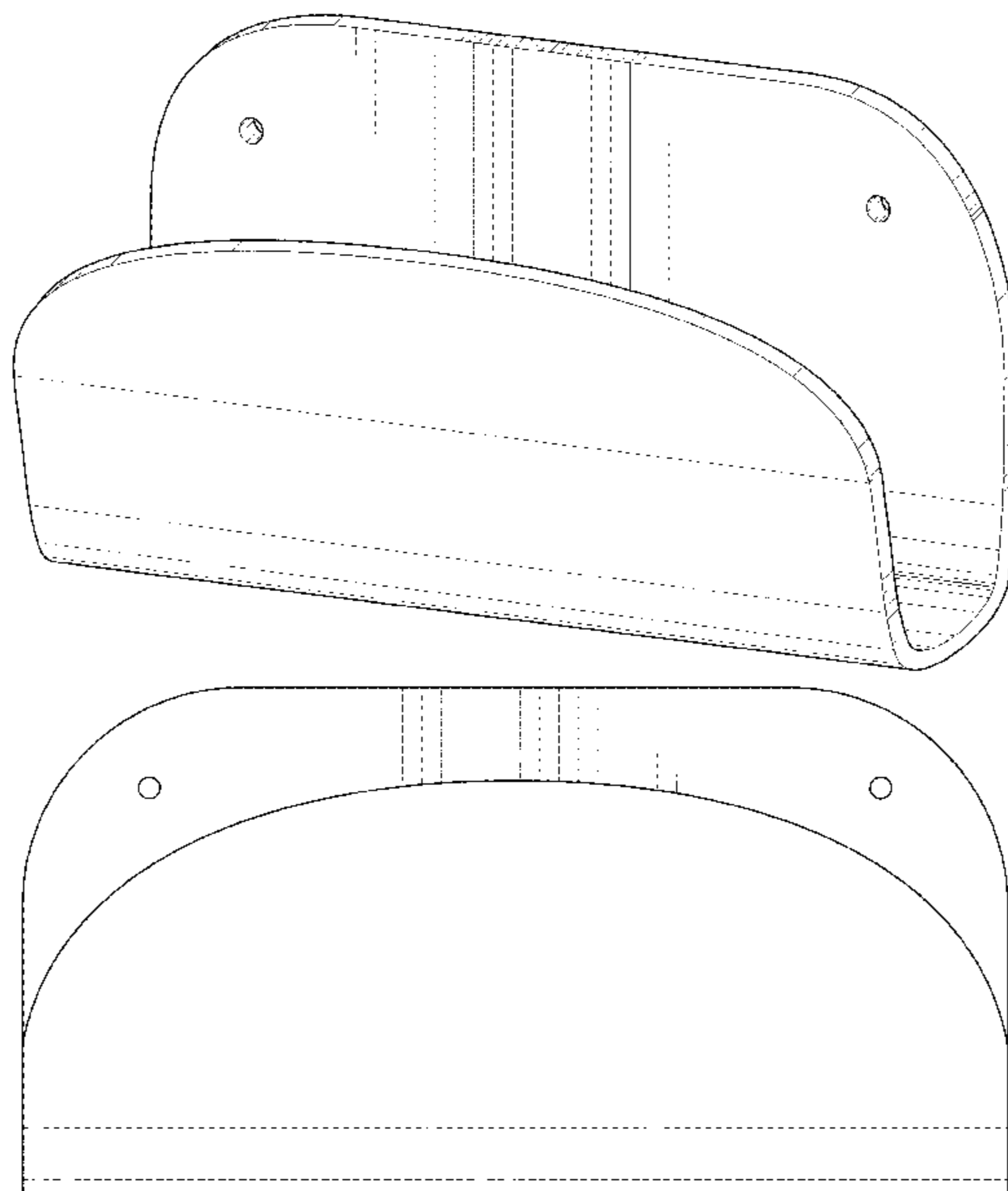
The ornamental design for a wall cell phone holder, as shown and described.

DESCRIPTION

FIG. 1 is a perspective view of the wall cell phone holder showing my new design;
FIG. 2 is a front elevation view thereof;
FIG. 3 is a rear elevation view thereof;
FIG. 4 is a left side elevation view thereof;
FIG. 5 is a right side elevation view thereof;
FIG. 6 is a top plan view thereof; and,
FIG. 7 is a bottom plan view thereof.

1 Claim, 5 Drawing Sheets

(56) **References Cited**
U.S. PATENT DOCUMENTS
3,446,416 A * 5/1969 Epstein A47G 21/001
206/557
D282,338 S * 1/1986 Putt D7/504



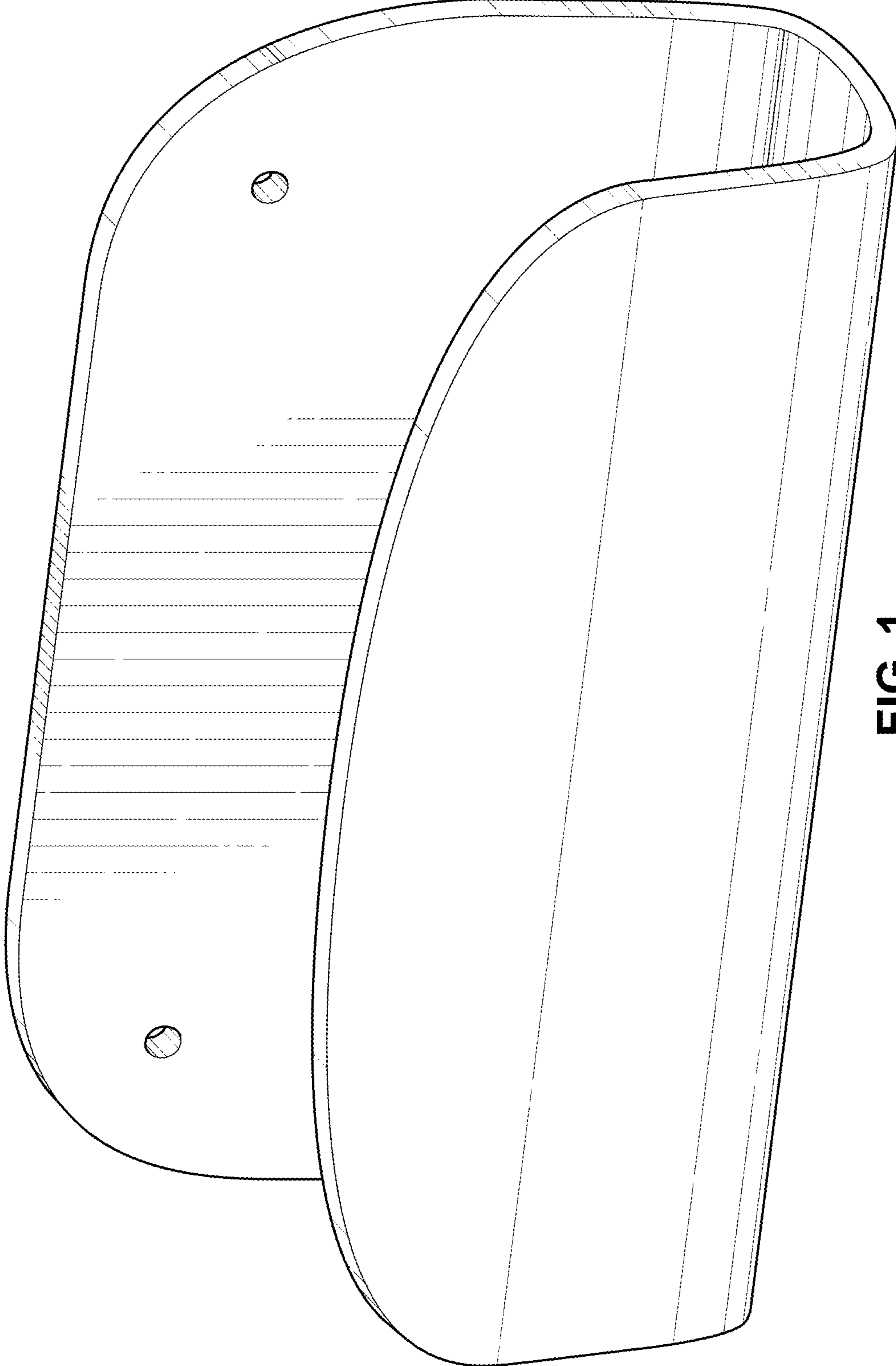


FIG. 1

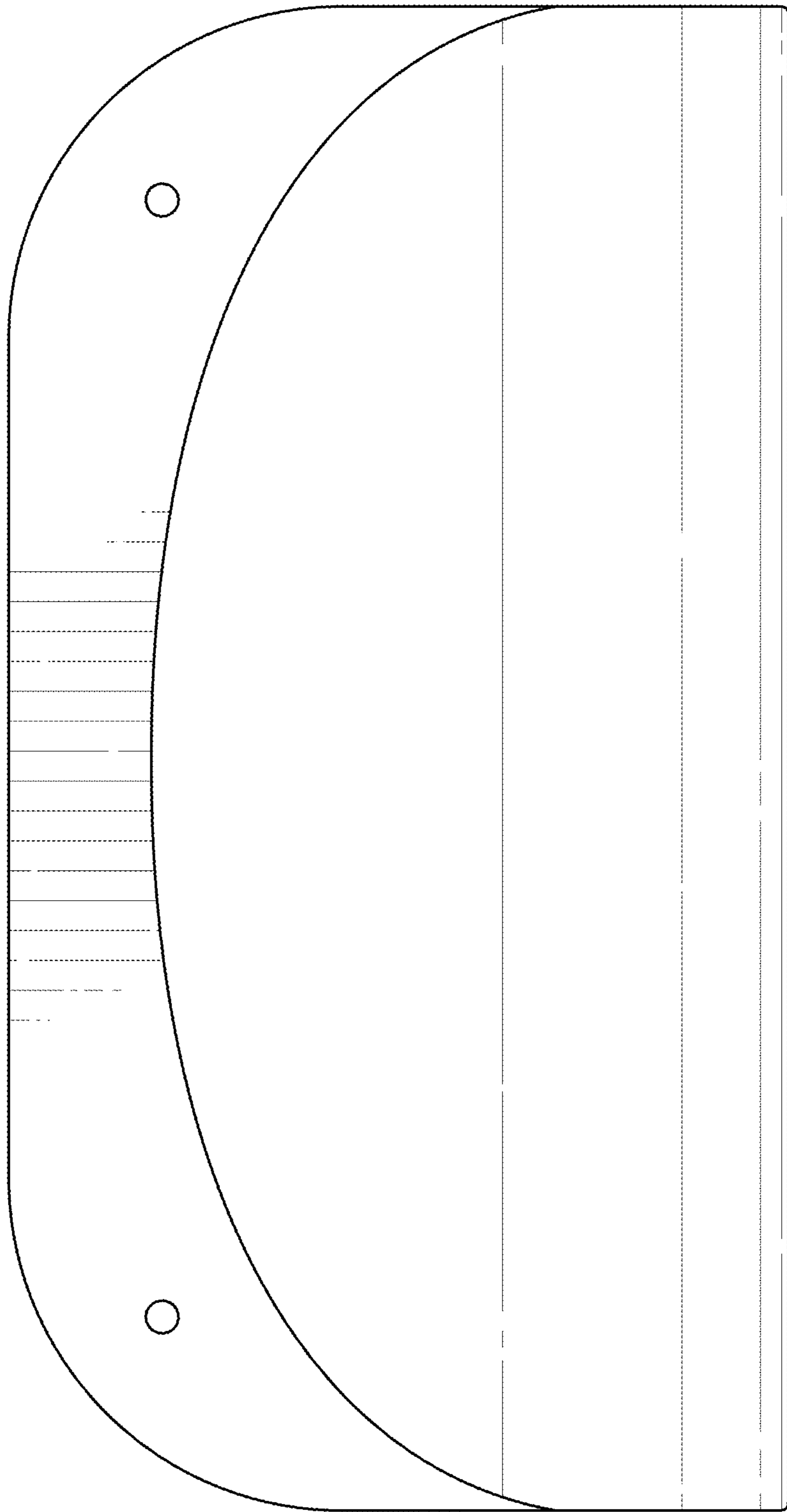


FIG. 2

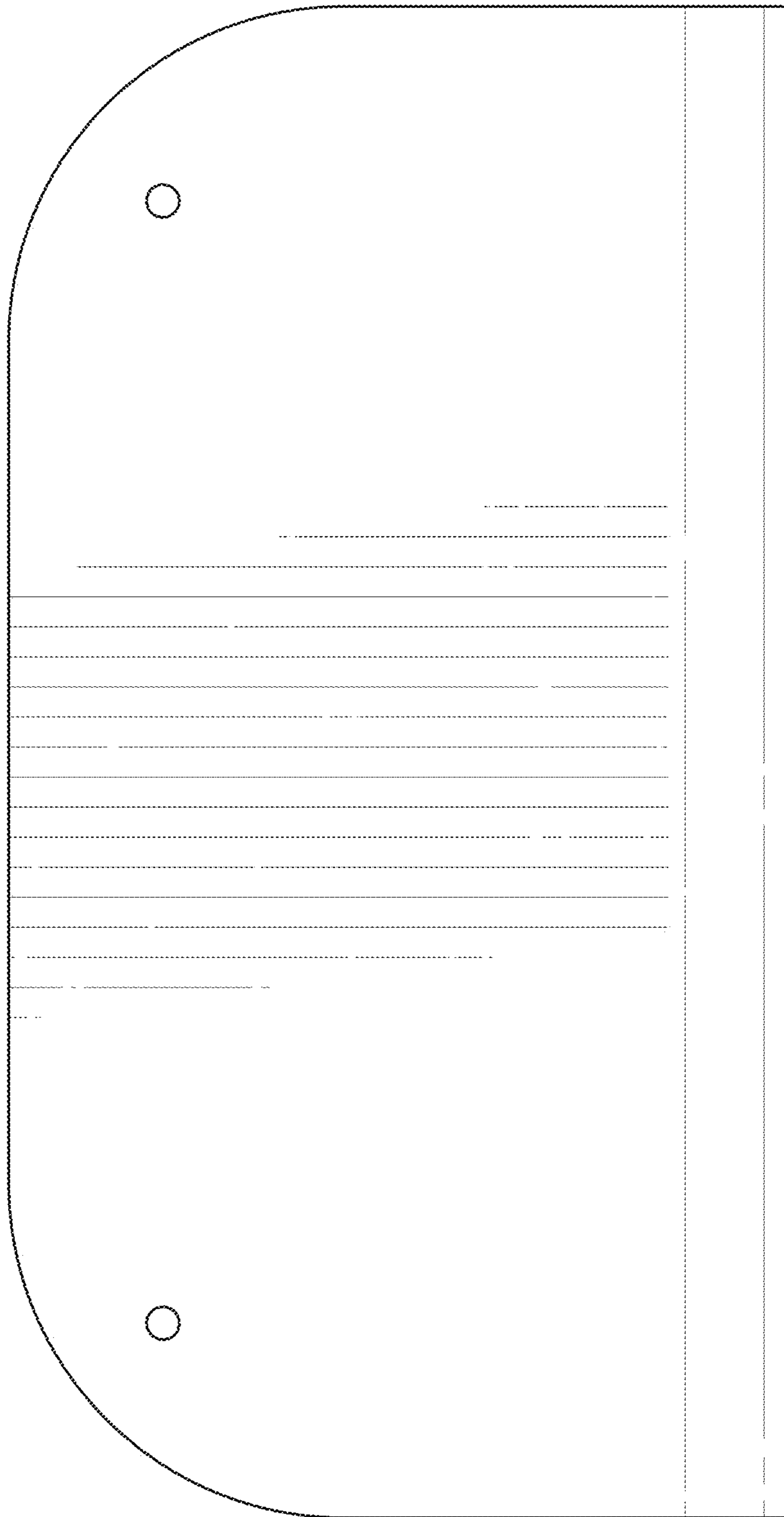


FIG. 3

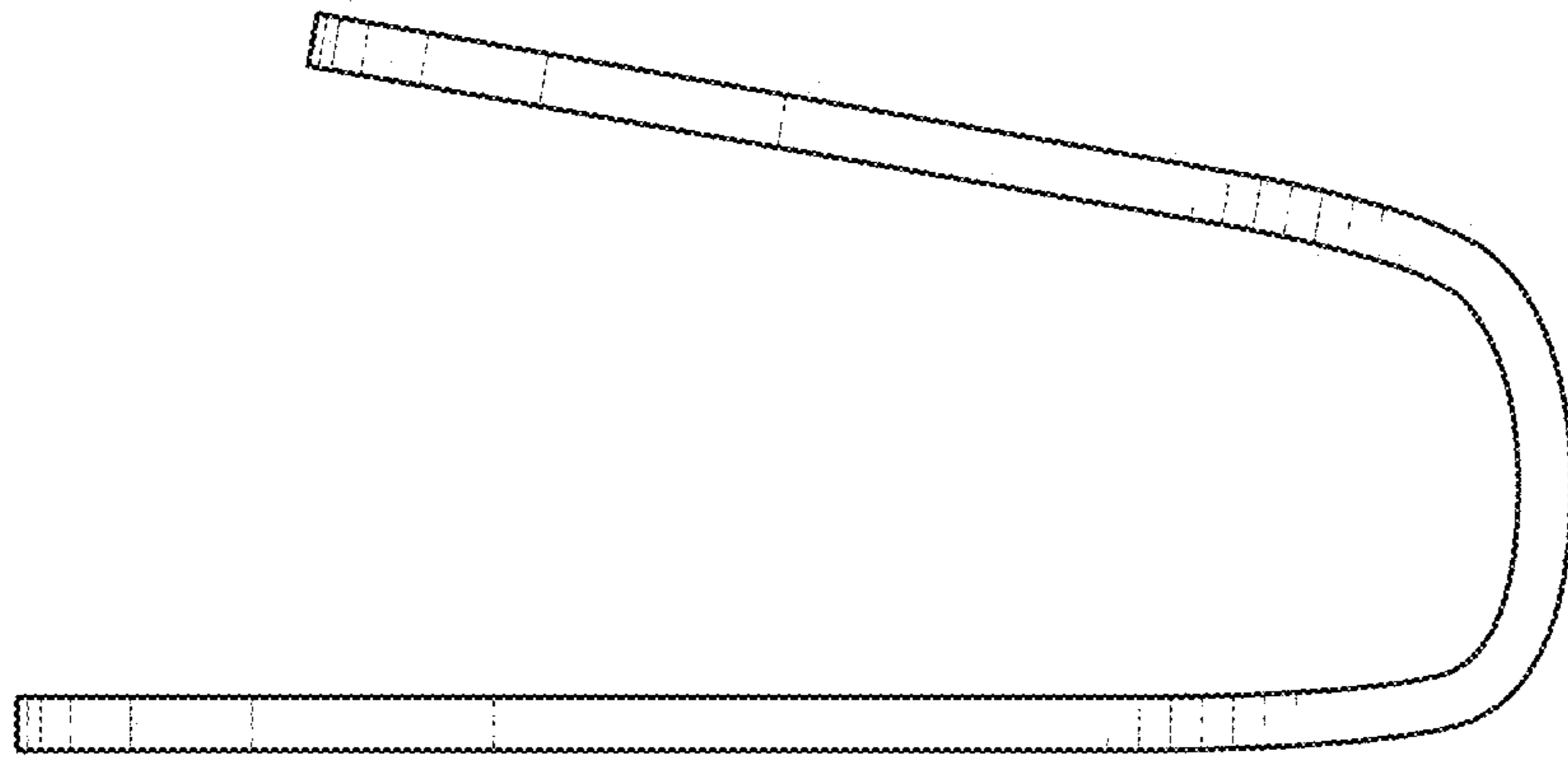


FIG. 5

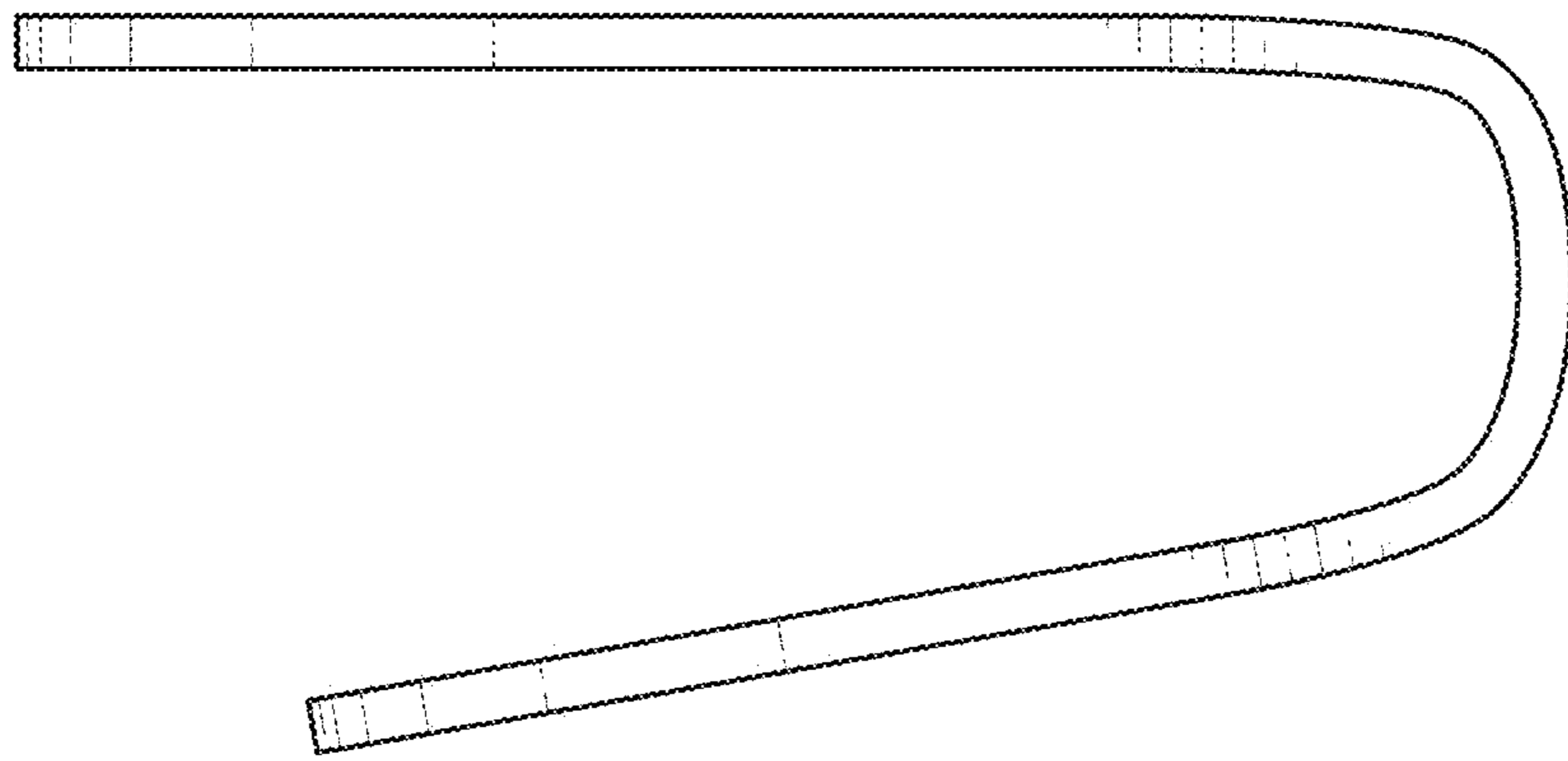


FIG. 4

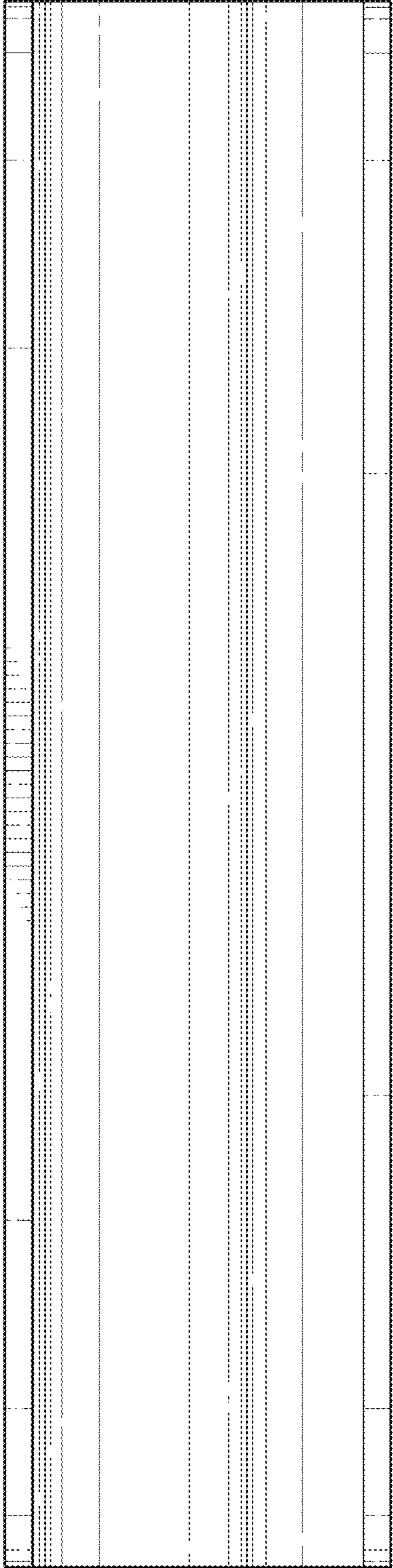


FIG. 6

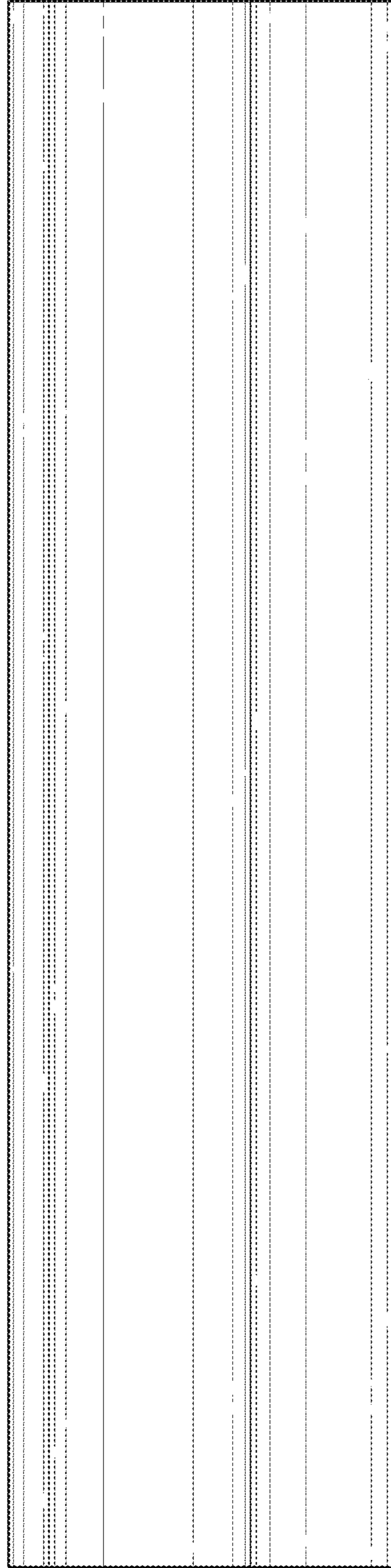


FIG. 7