



US00D876419S

(12) **United States Design Patent** (10) **Patent No.:** **US D876,419 S**  
**Griffith** (45) **Date of Patent:** **\*\* Feb. 25, 2020**

(54) **HOLOGRAPHIC CASE FOR A MOBILE DEVICE**

(71) Applicant: **IKIN, Inc.**, San Diego, CA (US)

(72) Inventor: **Taylor Griffith**, Alpine, CA (US)

(73) Assignee: **IKIN, Inc.**

(\*\*) Term: **15 Years**

(21) Appl. No.: **29/612,766**

(22) Filed: **Aug. 3, 2017**

(51) **LOC (12) Cl.** ..... **14-03**

(52) **U.S. Cl.**  
USPC ..... **D14/250**

(58) **Field of Classification Search**  
USPC ..... D3/201, 218, 226, 227, 247, 249, 250,  
D3/269, 303; D13/103, 107, 108, 119;  
D14/137, 138 R, 138 AA, 138 C, 138 G,  
D14/172, 192, 203.3–203.7, 217, 238.1,  
D14/247, 248, 250–253, 440, 447;  
D16/221, 225  
CPC ..... H04B 1/3888; H04M 1/0283; H04M  
1/0202; A45C 1/06; A45C 2011/002;  
A45C 11/00; A45F 2005/028; A45F  
2200/0525

See application file for complete search history.

(56) **References Cited**

**U.S. PATENT DOCUMENTS**

D383,922 S *	9/1997	Goodwin	.....	D6/661.2
D473,872 S *	4/2003	Ausems	.....	D14/420
D658,174 S *	4/2012	Tasselli	.....	D14/347
D659,138 S *	5/2012	Hsu	.....	D14/385
D670,278 S *	11/2012	Hamann	.....	D14/250
D678,936 S *	3/2013	Oliver	.....	D18/14
D685,779 S *	7/2013	Schriefer	.....	D14/250
D687,877 S *	8/2013	Chang	.....	D16/225
D690,347 S *	9/2013	Zhao	.....	D16/225

D697,060 S *	1/2014	Yang	.....	D14/250
8,774,446 B2 *	7/2014	Merenda	.....	B65H 75/48 381/370
D710,343 S *	8/2014	Chandler, Jr.	.....	D14/250
D714,276 S *	9/2014	Hu	.....	D14/250
D716,285 S *	10/2014	Chaney	.....	A45C 11/00 D14/250
D719,167 S *	12/2014	Brown	.....	D14/250
D754,114 S *	4/2016	Curtis	.....	D14/250
D754,650 S *	4/2016	Curtis	.....	D14/250
D760,216 S *	6/2016	Krause	.....	D14/341
D762,761 S *	8/2016	Daniel	.....	D16/208

(Continued)

**OTHER PUBLICATIONS**

The Cicret bracelet and app can project your smartphone onto your arm, publishing date Jan. 13, 2015, [online][site visited Feb. 21, 2019]<URL: <https://www.snopes.com/fact-check/do-you-want-to-know-a-cicret/>> (Year: 2015).\*

(Continued)

*Primary Examiner* — Susan E Krakower  
*Assistant Examiner* — L. A. Grabenstetter  
(74) *Attorney, Agent, or Firm* — Cooley LLP

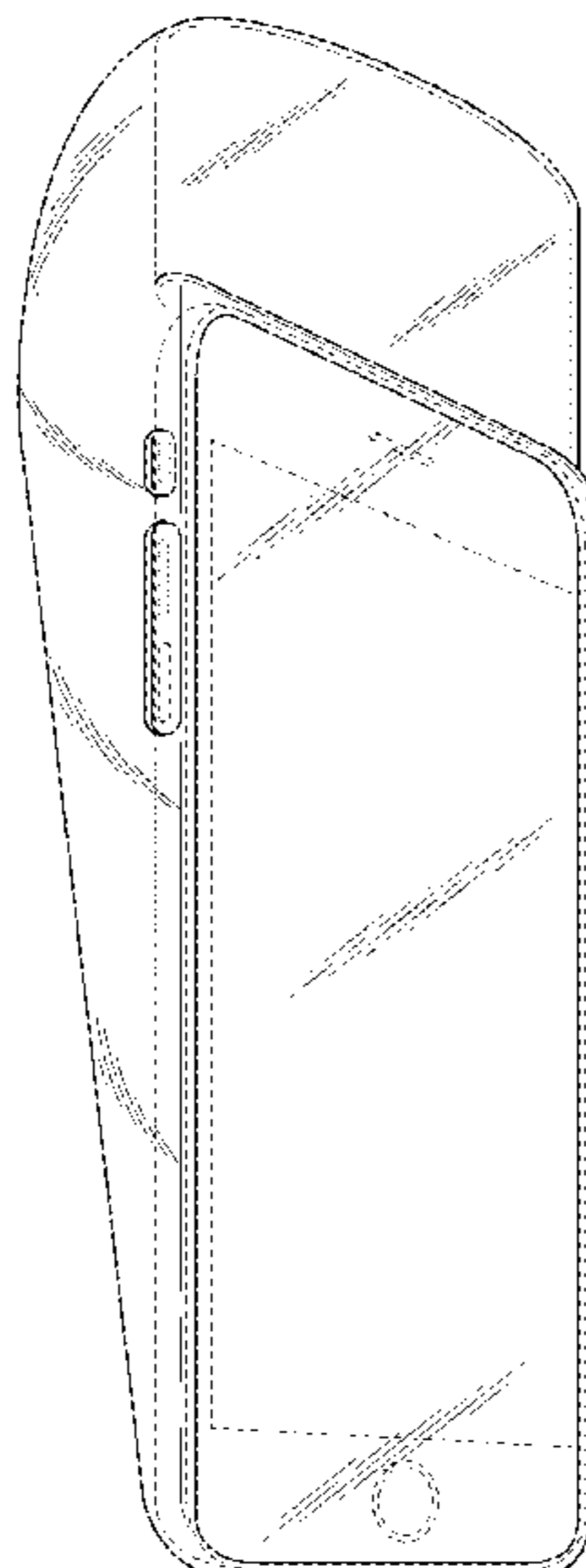
(57) **CLAIM**

The ornamental design for a holographic case for a mobile device, as shown and described.

**DESCRIPTION**

FIG. 1 is a perspective view showing my new design;  
FIG. 2 is a front view thereof;  
FIG. 3 is a back view thereof;  
FIG. 4 is a left-side view thereof;  
FIG. 5 is a right-side view thereof;  
FIG. 6 is a top view thereof; and,  
FIG. 7 is a bottom view thereof.  
The broken lines depict portions of the article that form no part of the claimed design.

**1 Claim, 5 Drawing Sheets**



(56)

**References Cited**

U.S. PATENT DOCUMENTS

D768,615 S \* 10/2016 Wang ..... D14/250

OTHER PUBLICATIONS

Turn your Smartphone into a 3D Hologram, publishing date Aug. 1, 2015, [online][site visited Feb. 21, 2019]<URL: <https://www.youtube.com/watch?v=7YWTtCsvgvg>> (Year: 2015).\*

\* cited by examiner

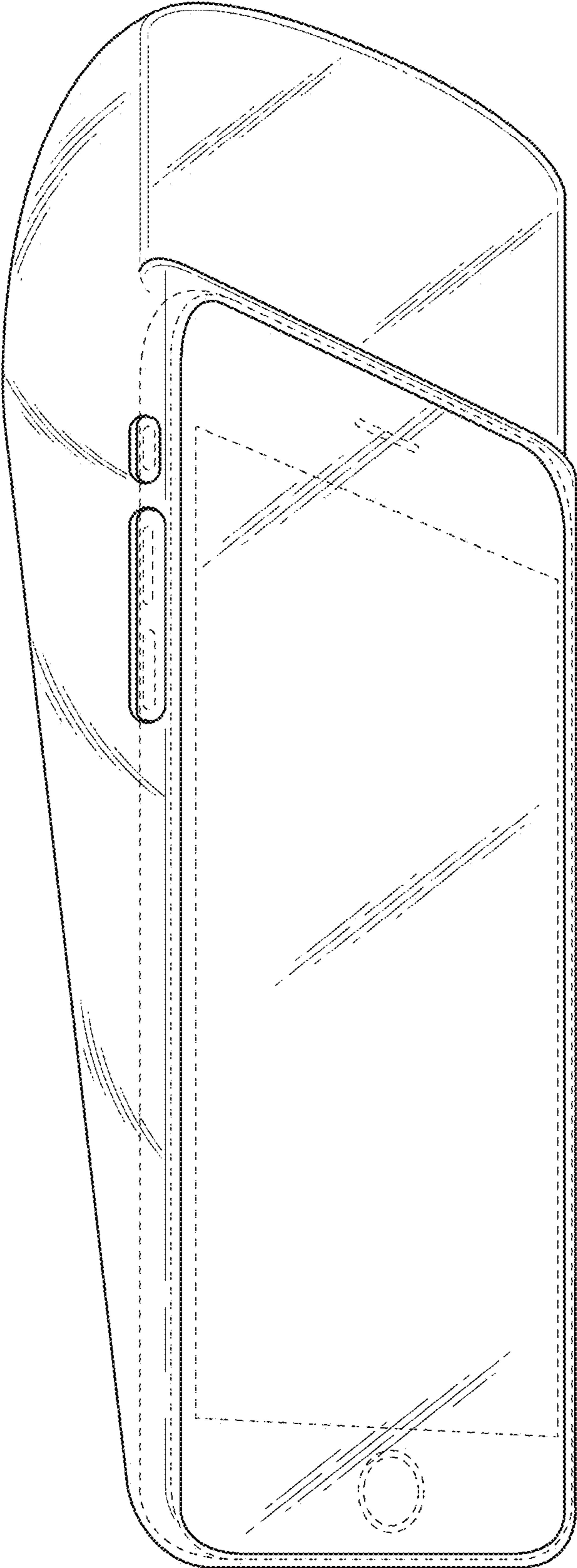


FIG. 1

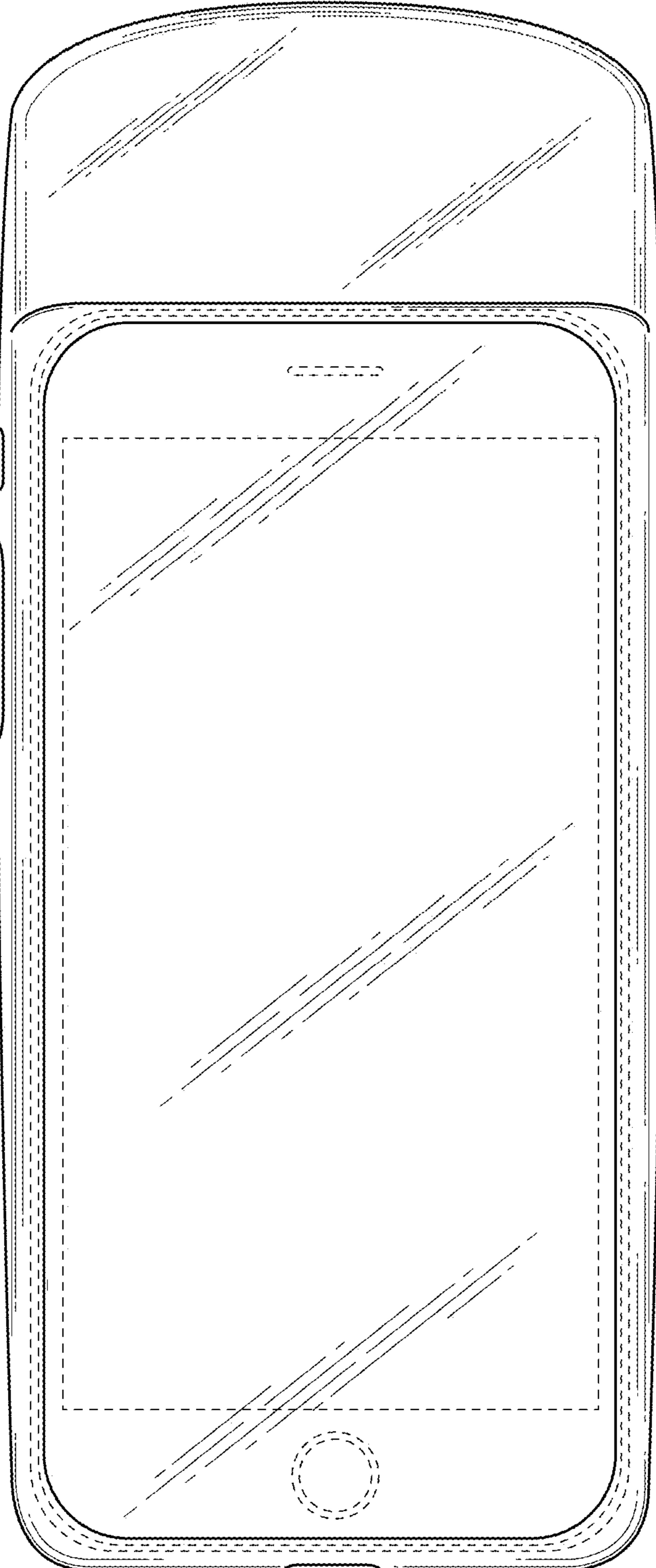


FIG. 2

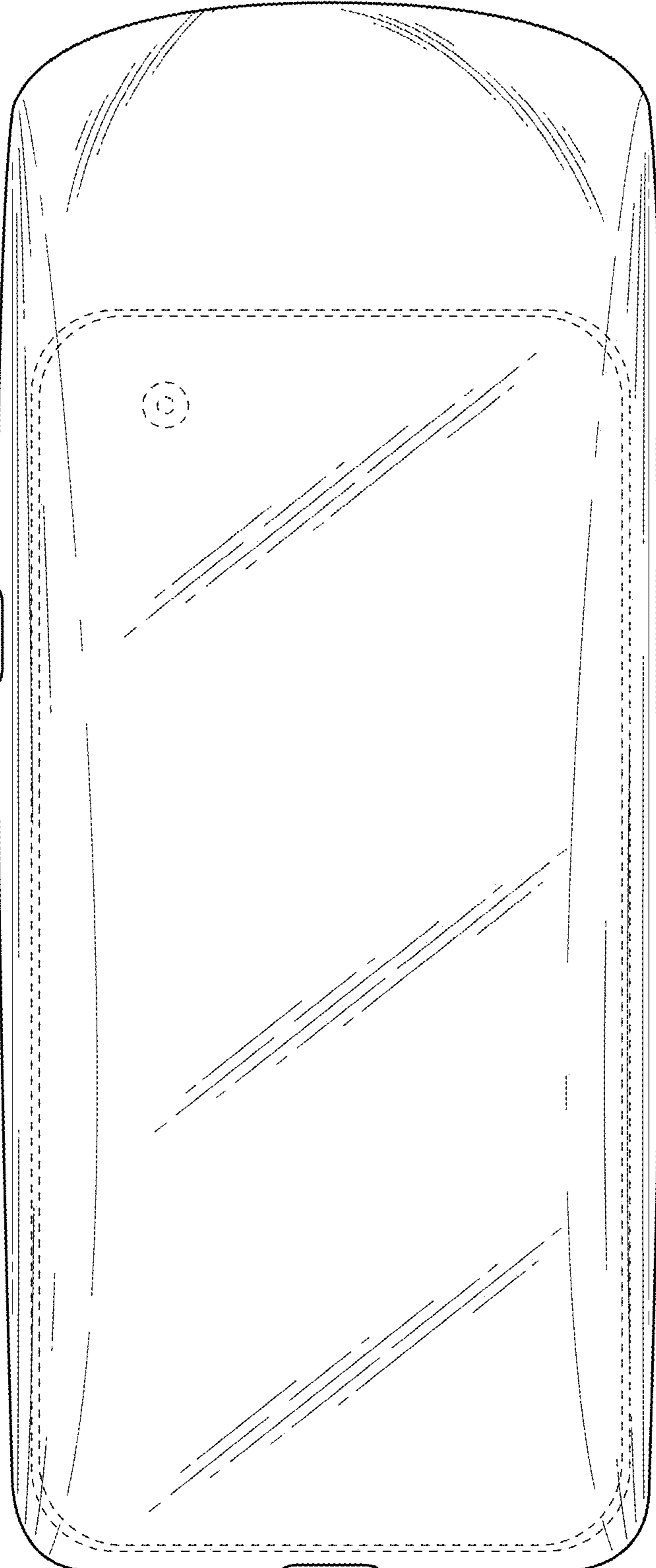


FIG. 3

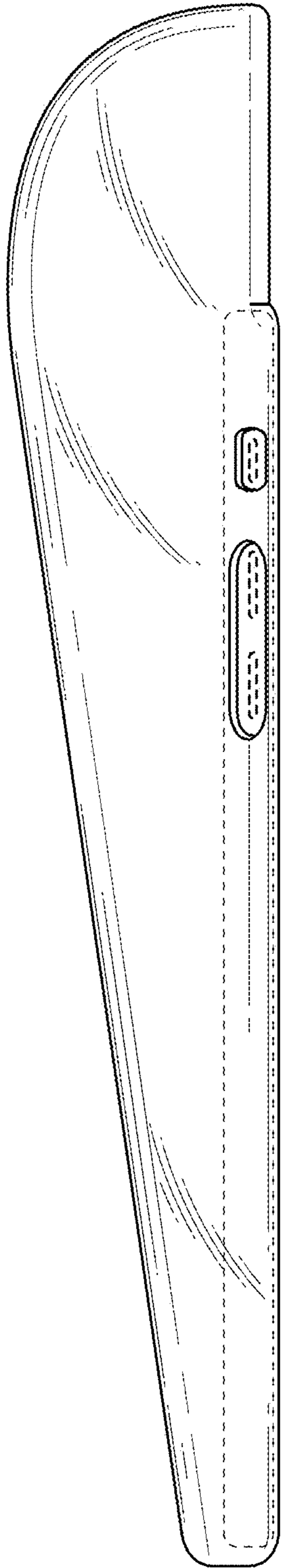


FIG. 4

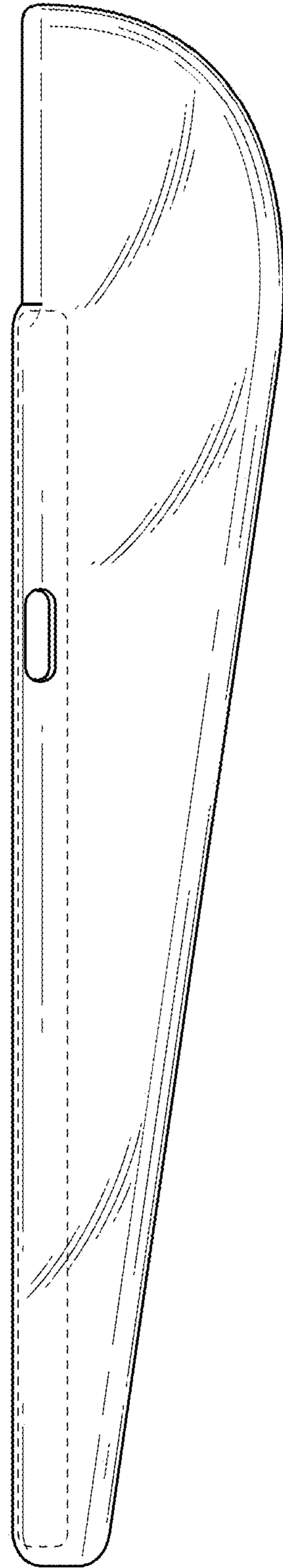


FIG. 5

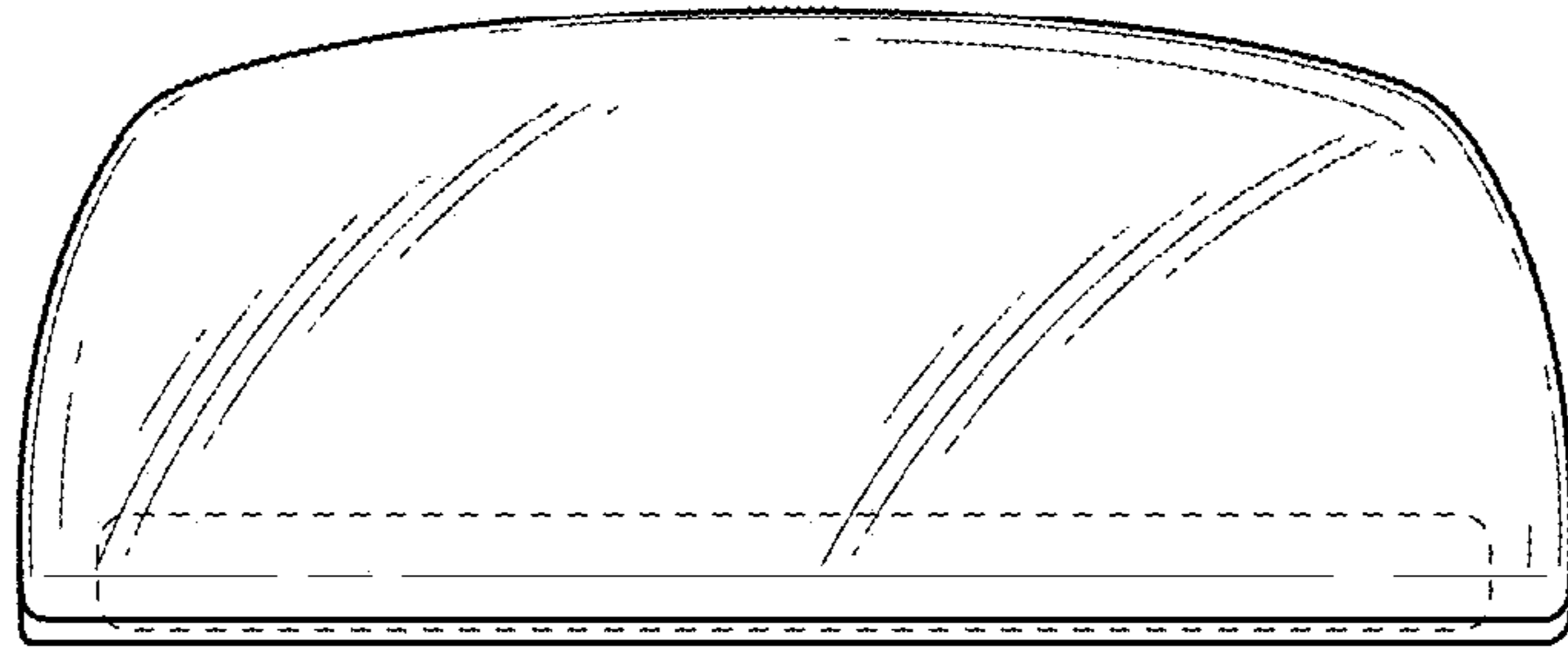


FIG. 6

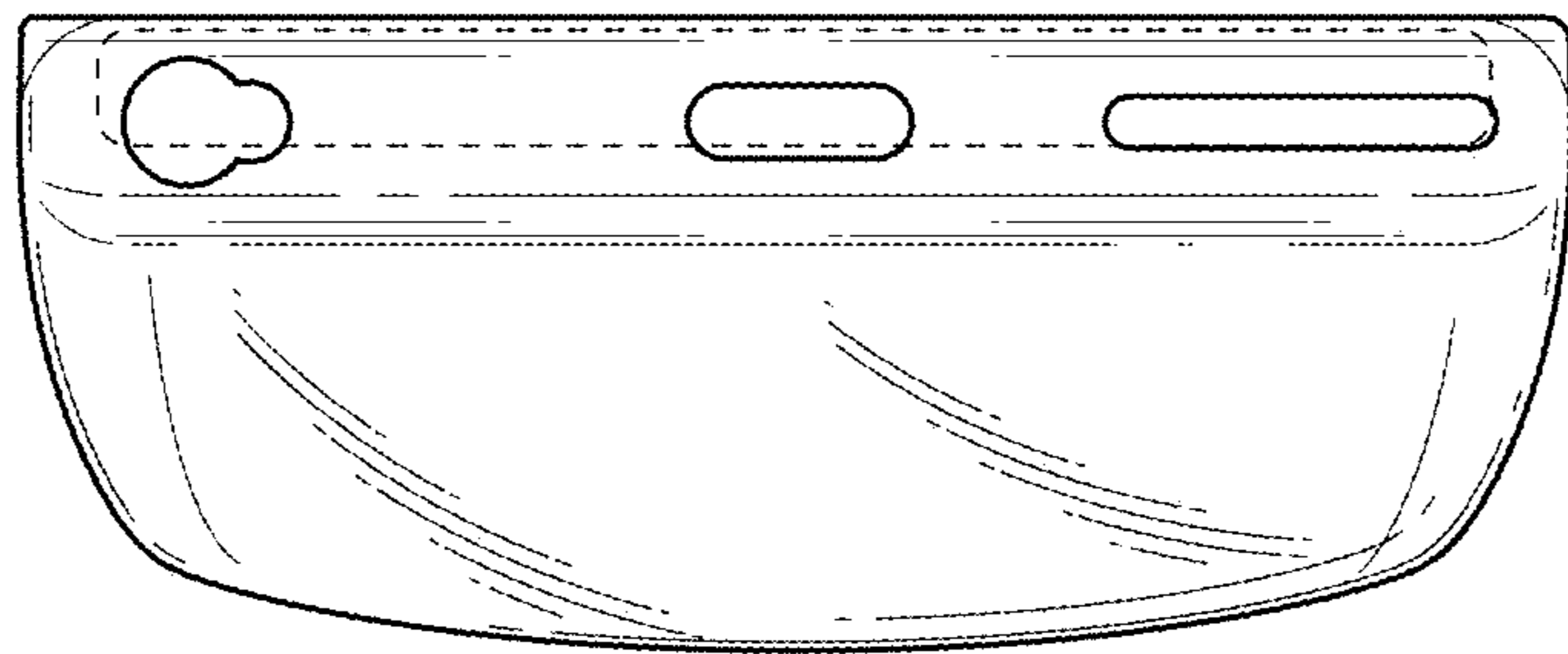


FIG. 7