



US00D876414S

(12) **United States Design Patent**  
**Han et al.**

(10) **Patent No.:** **US D876,414 S**  
(45) **Date of Patent:** **\*\* Feb. 25, 2020**

(54) **MOBILE PHONE**

- (71) Applicant: **Samsung Electronics Co., Ltd.**,  
Suwon-si (KR)
- (72) Inventors: **Wooseung Han**, Seoul (KR); **Sangsik Park**, Seoul (KR)
- (73) Assignee: **SAMSUNG ELECTRONICS CO., LTD.**, Suwon-si (KR)
- (\*\*) Term: **15 Years**
- (21) Appl. No.: **29/612,688**
- (22) Filed: **Aug. 3, 2017**

(30) **Foreign Application Priority Data**

Feb. 21, 2017 (KR) ..... 30-2017-0008147

(51) **LOC (12) Cl.** ..... **14-03**

(52) **U.S. Cl.**  
USPC ..... **D14/248**

(58) **Field of Classification Search**

USPC ..... D14/138 AA, 138 AB, 138 AC, 138 AD,  
D14/138 C, 138 R, 138 G, 248, 137, 250,  
D14/341, 203.7; D10/50, 65; D21/329  
CPC .... G06F 1/1626; G06F 1/1641; G06F 1/1647;  
H04M 1/027; H04M 1/0202; H04M  
1/0279; H04M 1/0235; H04M 1/0237;  
H04M 1/0239; H04M 1/0266; H04M

(Continued)

(56) **References Cited**

**U.S. PATENT DOCUMENTS**

D573,143 S \* 7/2008 Park ..... D14/341  
D580,390 S \* 11/2008 Kim ..... D14/138 AD  
(Continued)

**FOREIGN PATENT DOCUMENTS**

KR 30-0724342 1/2014  
KR 30-0771402 11/2014

**OTHER PUBLICATIONS**

Samsung Galaxy S9 plus, released Mar. 2018, [online], [site visited Jul. 2, 2019]. Retrieved from url:https://www.gsmarena.com/samsung\_galaxy\_s9+pictures-8967.php (Year: 2018).\*

(Continued)

*Primary Examiner* — Cathron C Brooks

*Assistant Examiner* — Tracey J Bell

(74) *Attorney, Agent, or Firm* — McAndrews Held & Malloy, Ltd.

(57) **CLAIM**

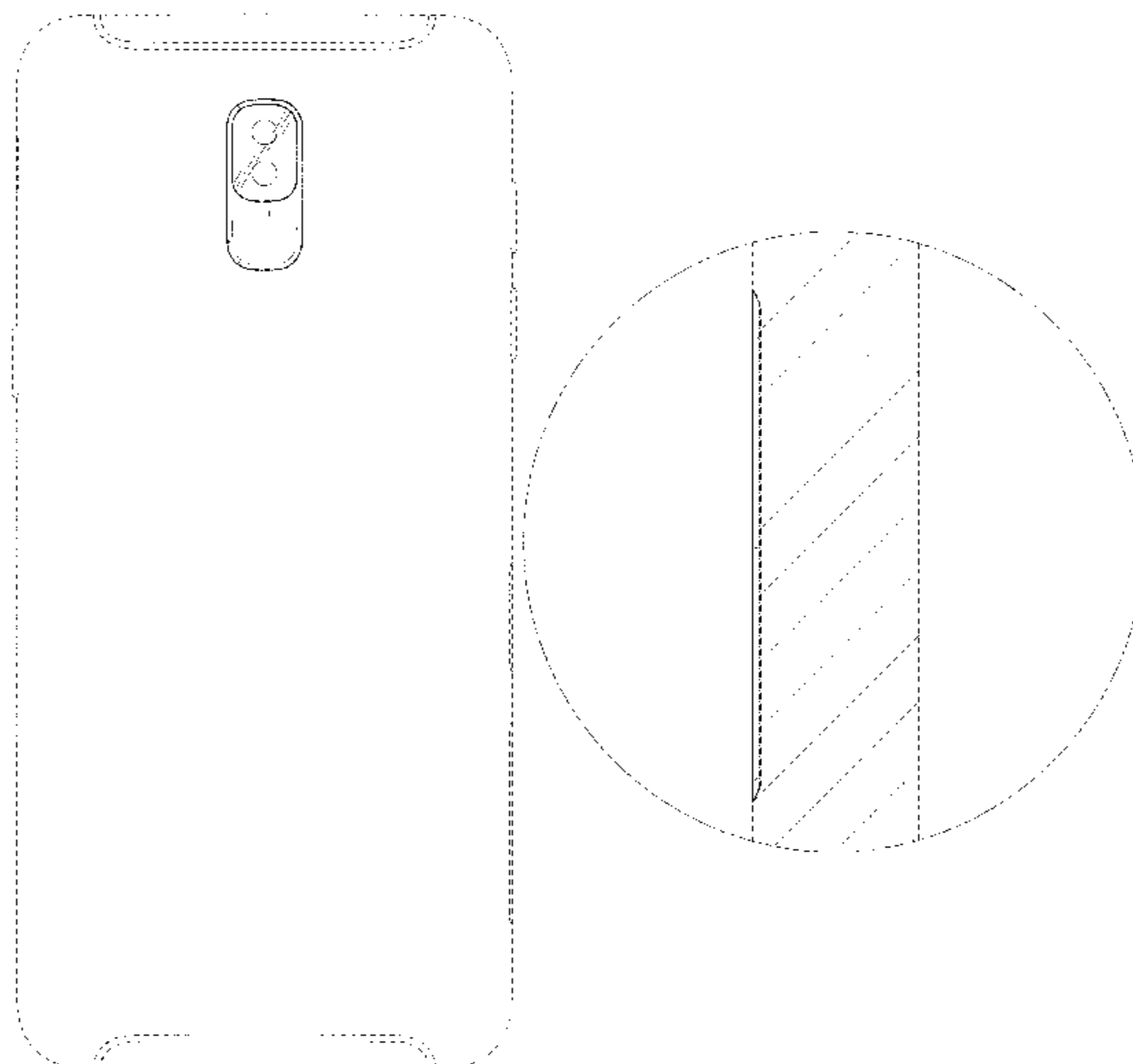
The ornamental design for a mobile phone, as shown and described.

**DESCRIPTION**

FIG. 1 is a rear perspective view of a mobile phone showing our new design;  
FIG. 2 is a front elevation view thereof;  
FIG. 3 is a rear elevation view thereof;  
FIG. 4 is a left side elevation view thereof;  
FIG. 5 is a right side elevation view thereof;  
FIG. 6 is a top plan view thereof;  
FIG. 7 is a bottom plan view thereof;  
FIG. 8 is an enlarged view of the portion 8 encircled in FIG. 1;  
FIG. 9 is a cross-sectional vertical view of FIG. 4, taken through a midpoint of the mobile phone; and  
FIG. 10 is an enlarged view of the portion 10 encircled in FIG. 10.

The dashed broken lines in the drawings illustrate portions of the mobile phone that form no part of the claimed design. The dot-dot-dash broken lines in FIGS. 1, 8, 9, and 10 identify the areas of the mobile phone that are illustrated in the enlarged views of FIGS. 8 and 10. The dot-dot-dash broken lines form no part of the claimed design.

**1 Claim, 10 Drawing Sheets**



# US D876,414 S

Page 2

(58) **Field of Classification Search**

CPC ..... 1/0268; H04M 1/0295; H04M 1/0264;  
H01Q 1/241; H01Q 1/243

See application file for complete search history.

D813,216 S \* 3/2018 Lee ..... D14/248  
D839,250 S \* 1/2019 Baik ..... D14/248  
D839,251 S \* 1/2019 Baik ..... D14/248  
2015/0061477 A1\* 3/2015 Wilson ..... H04B 1/3888  
312/223.1  
2017/0105294 A1\* 4/2017 Shimoda ..... H04M 1/02

(56)

**References Cited**

U.S. PATENT DOCUMENTS

D582,372 S \* 12/2008 Lee ..... D14/138 AA  
D584,269 S \* 1/2009 Baik ..... D14/138 AA  
D589,952 S \* 4/2009 Hang ..... D14/248  
D592,172 S \* 5/2009 Chen ..... D14/138 AD  
D601,117 S \* 9/2009 Hong ..... D14/138 AA  
D608,324 S \* 1/2010 He ..... D14/138 AA  
D633,064 S \* 2/2011 Kim ..... D14/138 AD  
D661,277 S \* 6/2012 Kim ..... D14/138 G  
D687,404 S \* 8/2013 Yoshimura ..... D14/138 G

OTHER PUBLICATIONS

Tech2 News Staff, 5 phones under Rs 15,000 with fingerprint scanners, published Feb. 6, 2016 at firstpost.com: <<http://tech.firstpost.com/news-analysis/5-phones-under-rs-15000-with-fingerprint-scanners-298077.html>> (Last accessed Aug. 3, 2017).

Unknown, published on the internet at 52ij.com: <<http://www.52ij.com/shouji/shoujizixun/314003.html>> (Last accessed Aug. 3, 2017).

\* cited by examiner

FIG. 1

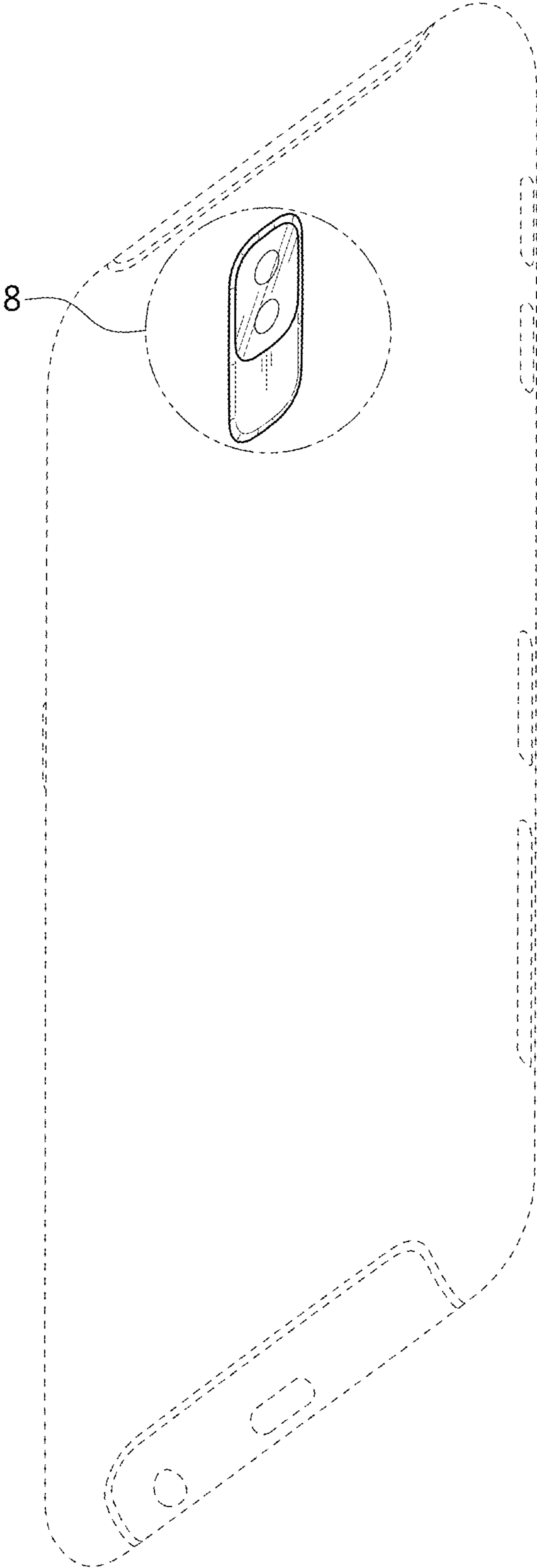


FIG. 2

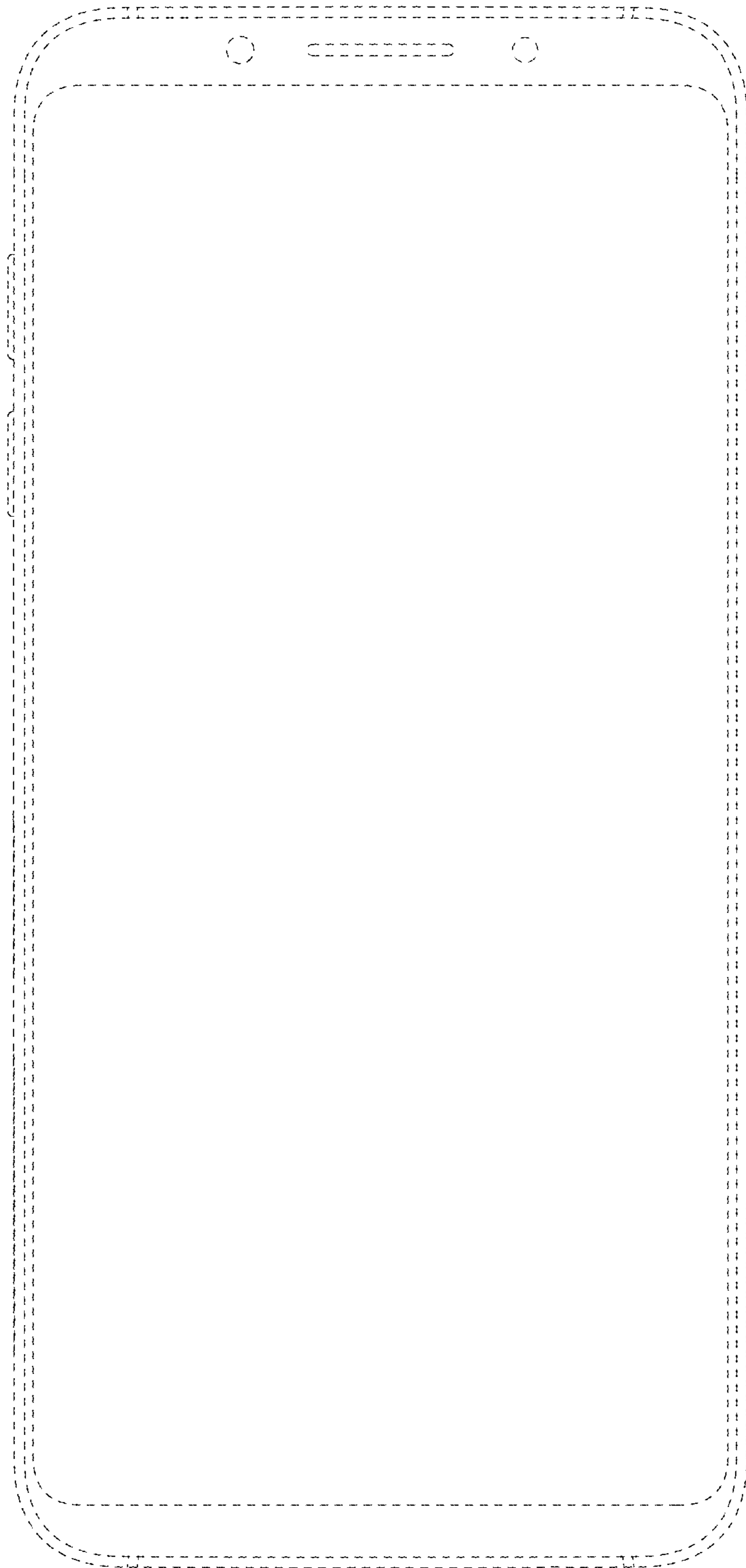


FIG. 3

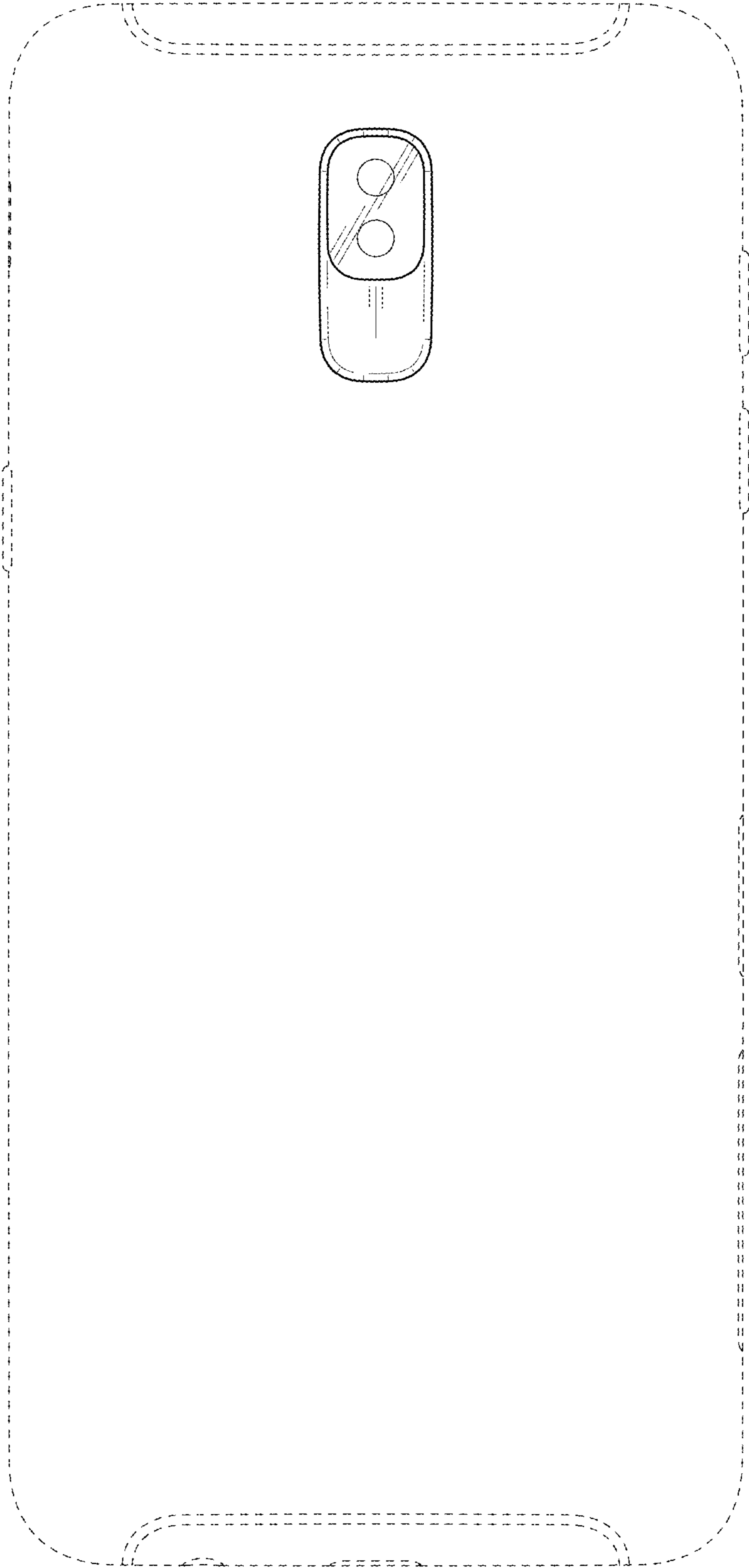


FIG. 4

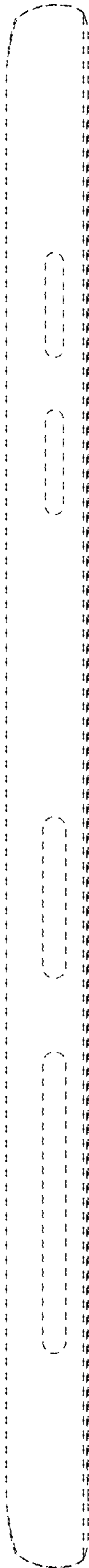


FIG. 5

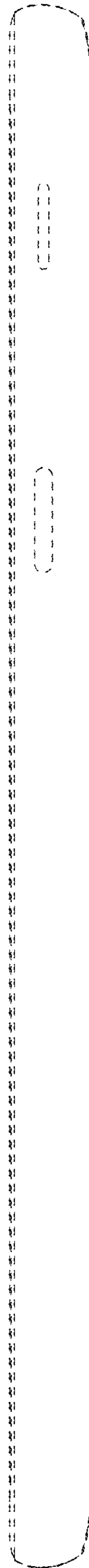


FIG. 6

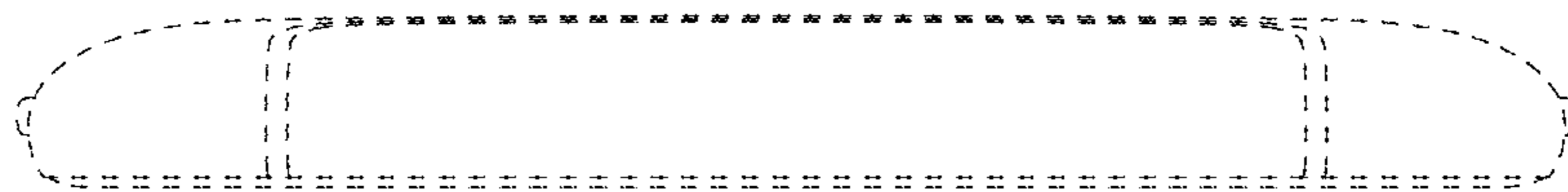




FIG. 7



FIG. 8

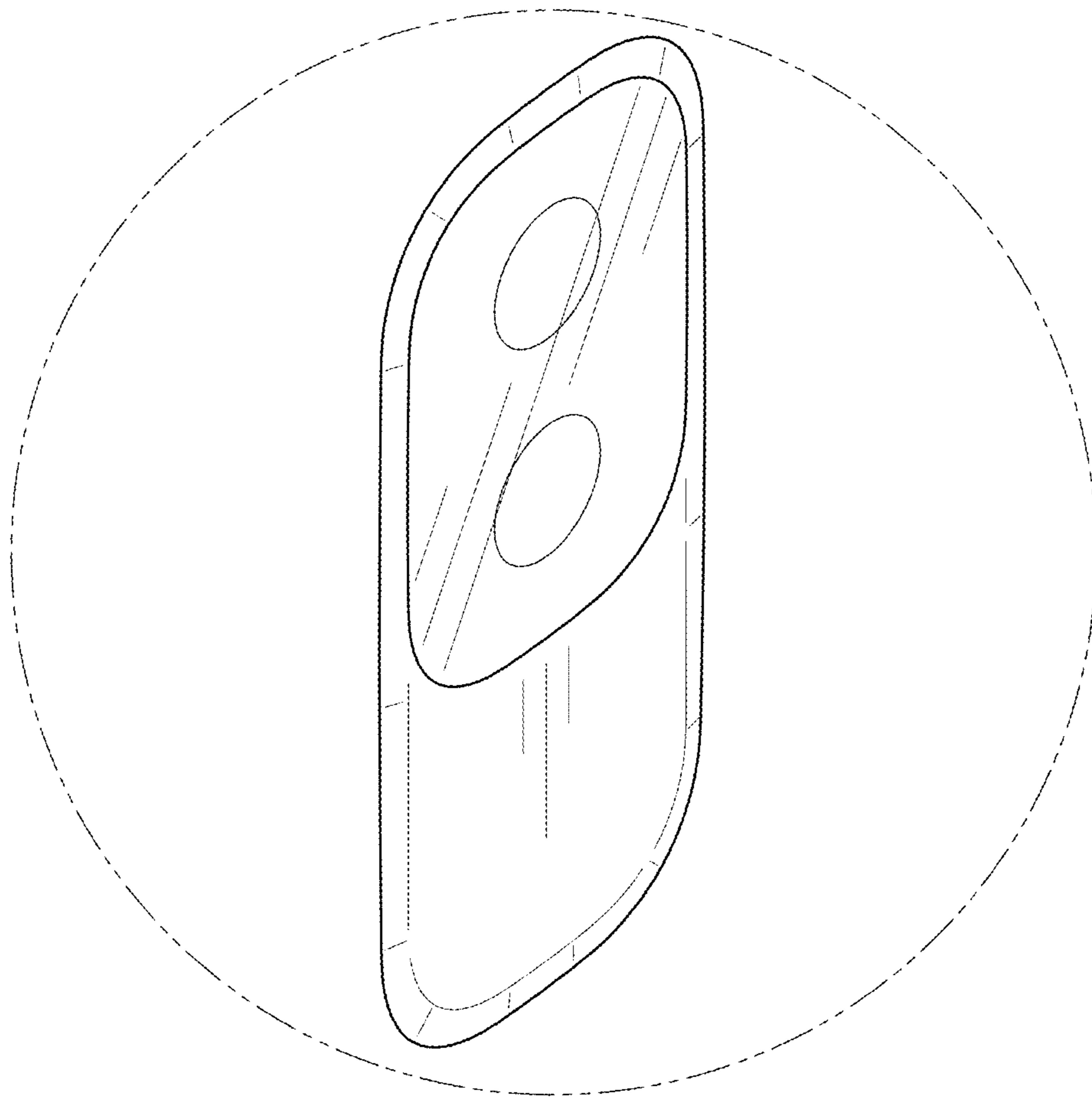


FIG. 9

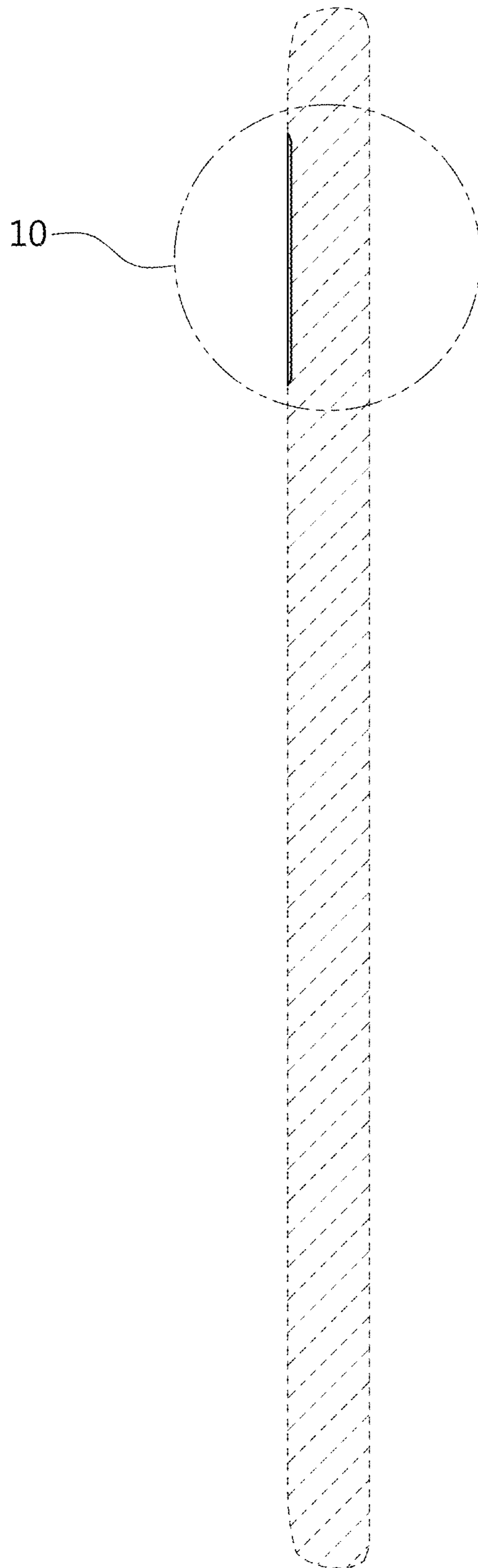


FIG. 10

