

US00D876412S

(12) **United States Design Patent**
Ueno et al.

(10) **Patent No.:** **US D876,412 S**
(45) **Date of Patent:** **** Feb. 25, 2020**

(54) **WIRELESS TRANSMITTER**

(71) Applicant: **Roland Corporation**, Shizuoka (JP)

(72) Inventors: **Masato Ueno**, Shizuoka (JP); **Shuichi Nakagawa**, Shizuoka (JP)

(73) Assignee: **Roland Corporation**, Shizuoka (JP)

(**) Term: **15 Years**

(21) Appl. No.: **29/632,092**

(22) Filed: **Jan. 5, 2018**

(51) **LOC (12) Cl.** **14-03**

(52) **U.S. Cl.**
USPC **D14/242**

(58) **Field of Classification Search**

USPC D14/240, 242, 358, 348, 349, 356-357, D14/363, 432, 433, 474, 480.1, 496, 125, D14/137, 139, 140-140.9, 155, 203.1, D14/217, 188, 299, 204, 216, 218, 230, D14/301, 313, 434, 214; D13/110, 123, D13/108, 158, 184, 199, 133, 138.1, 144; D10/104.1, 65, 70, 106.1, 106.2, 106.6; D11/143, 155; D23/366, 377, 411, 385, D23/413, 370; D28/56; D12/401, 410, D12/413; D26/118, 120-124, 128, D26/131-137; D3/200-203.8, 204-208, D3/218, 219, 263, 265, 901; D19/104, D19/106, 95, 926, 92; D7/601, 602, 538, D7/542, 391, 392, 392.1, 354, 397, 505, D7/550.1, 554.3, 629; D9/418, 424, 414, D9/425-426, 430-432, 435, 446, 449
CPC H04W 88/00; H04W 88/04; H04W 88/02; H04W 88/005; H04W 88/08; H04W 88/085; H04W 88/10; H04W 88/12; H04W 88/14; H04W 88/16; H04W 92/06; H04W 88/18; H04B 1/38; H04B 1/3827; H04L 12/00; H01Q 1/02; H01Q 1/2291; H01Q 1/246; H01Q 1/42; H01Q 1/1228

See application file for complete search history.

(56) **References Cited**

U.S. PATENT DOCUMENTS

D264,582 S *	5/1982	Drew	D13/138.2
D420,665 S *	2/2000	Rosenberg	D14/188
D528,077 S *	9/2006	Yuen	D13/144
D559,193 S *	1/2008	Stavoe	D13/133
D619,127 S *	7/2010	Tong	D13/133
D674,345 S *	1/2013	Izen	D13/133
D678,787 S *	3/2013	Matsumiya	D10/70
D700,573 S *	3/2014	Esses	D13/108
D762,120 S *	7/2016	Valentine	D9/525

(Continued)

OTHER PUBLICATIONS

Boss might have just nailed guitar wireless systems with its new WL-Series, Jun. 15, 2018, [online], [site visited Nov. 1, 2019]. Retrieved from url:https://www.musicradar.com/news/boss-might-have-just-nailed-guitar-wireless-systems-with-its-new-wl-series (Year: 2018).*

Primary Examiner — Cathron C Brooks

Assistant Examiner — Tracey J Bell

(74) *Attorney, Agent, or Firm* — JCIPRNET

(57) **CLAIM**

The ornamental design for a wireless transmitter, as shown and described.

DESCRIPTION

FIG. 1 is a perspective view of a wireless transmitter showing our new design;

FIG. 2 is a front view thereof;

FIG. 3 is a rear view thereof;

FIG. 4 is a left side view thereof;

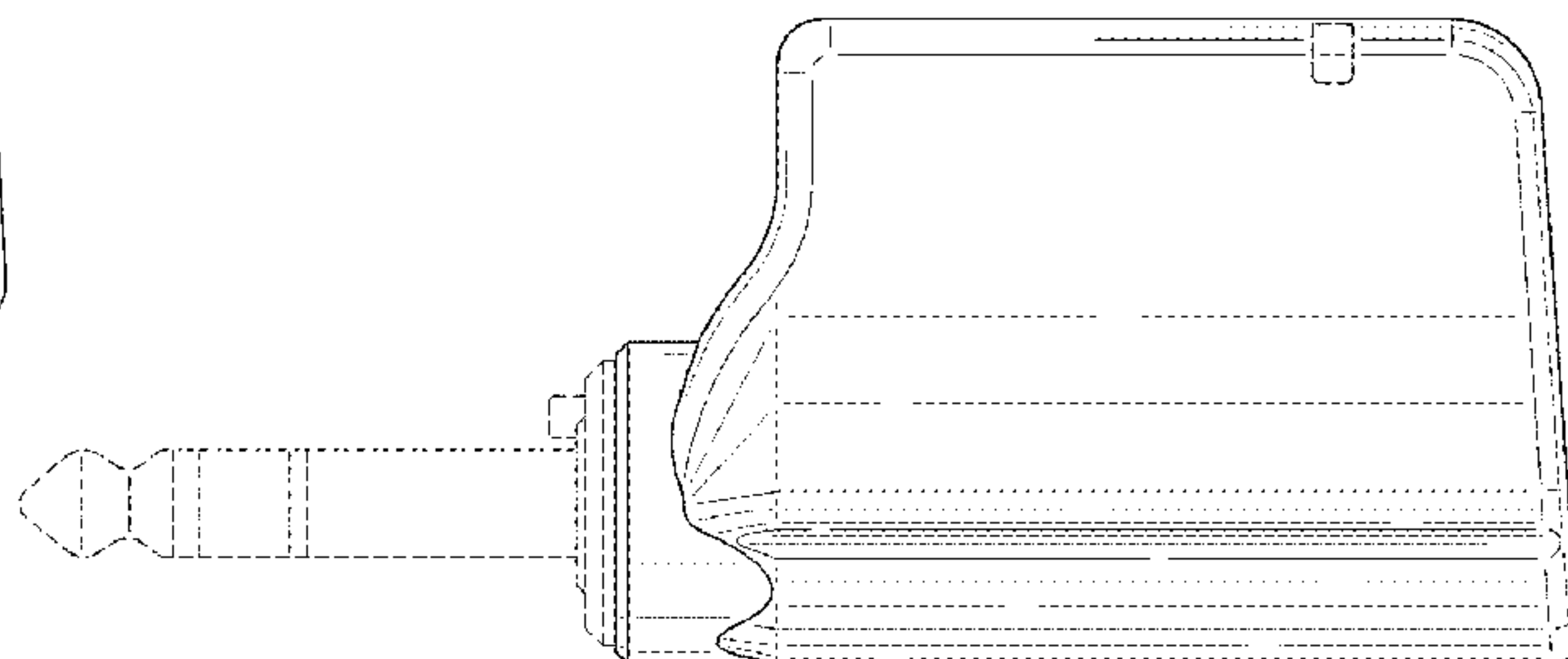
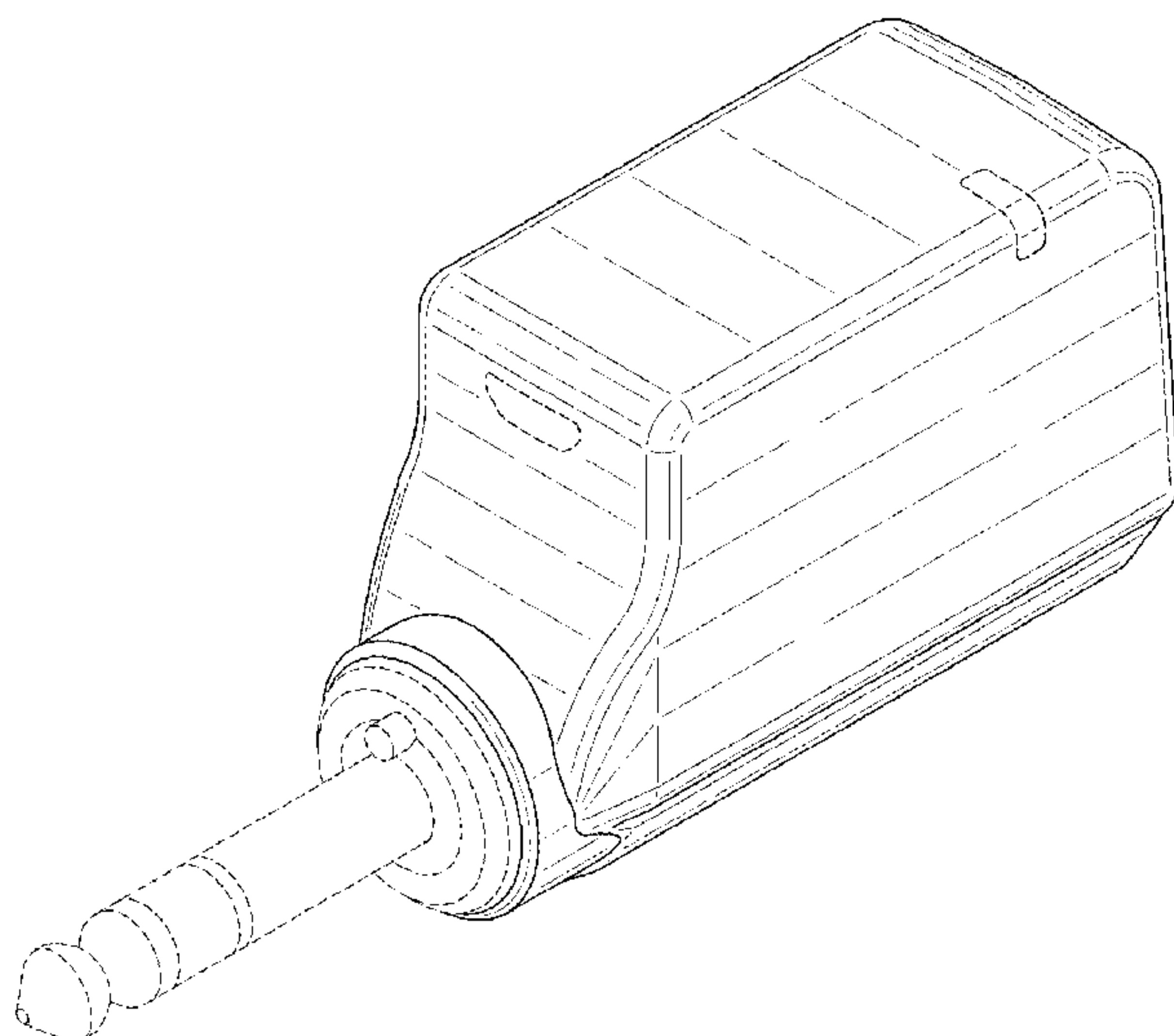
FIG. 5 is a right side view thereof;

FIG. 6 is a top view thereof; and,

FIG. 7 is a bottom view thereof.

The dashed broken lines illustrate portions of the wireless transmitter and form no part of the claimed design.

1 Claim, 4 Drawing Sheets



(56)

References Cited

U.S. PATENT DOCUMENTS

D769,184 S	*	10/2016	Esses	D13/107
D773,389 S	*	12/2016	Miller	D13/103
D781,236 S	*	3/2017	Esses	D13/144
D834,518 S	*	11/2018	Hung	D13/133

* cited by examiner

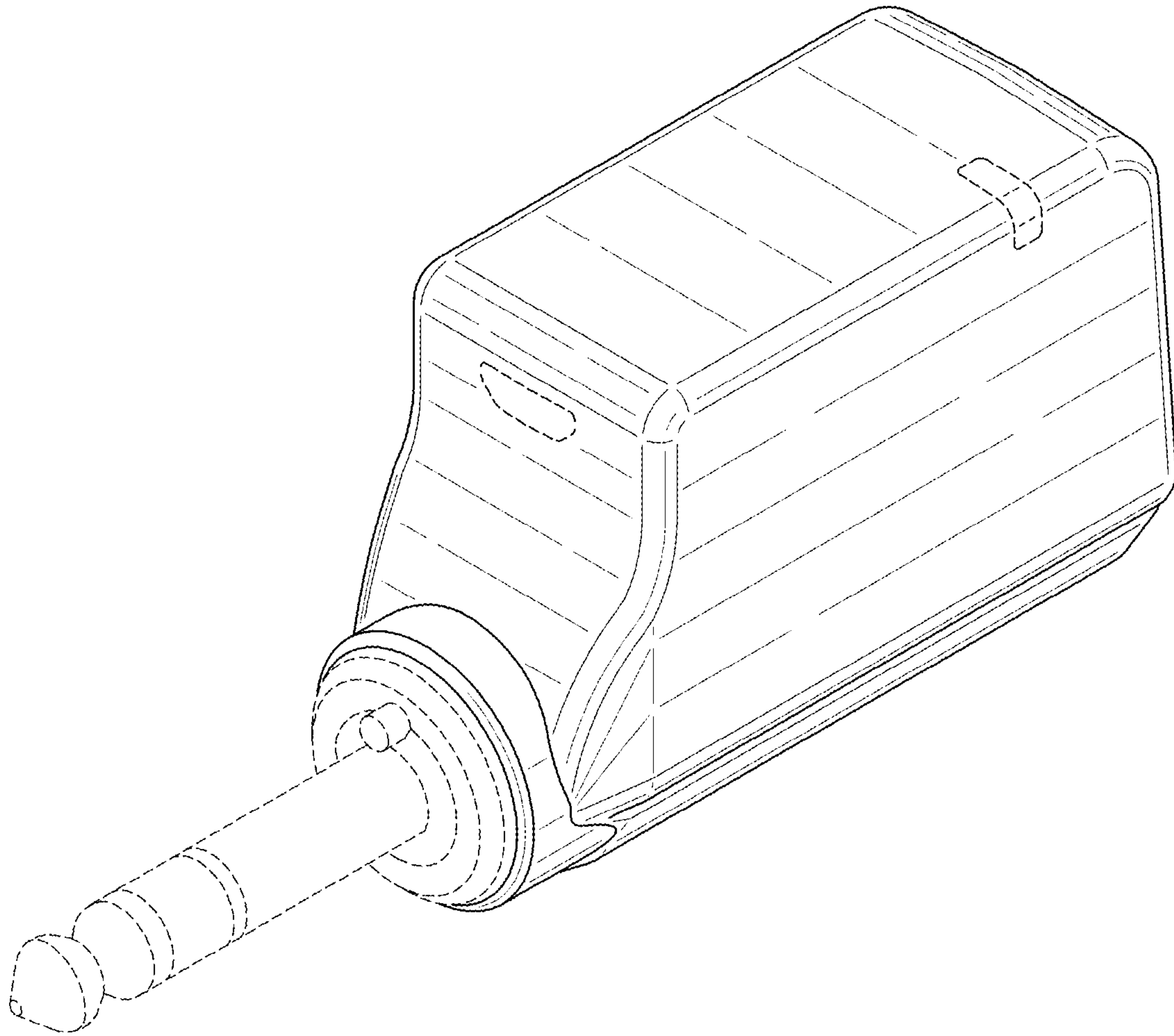


FIG. 1

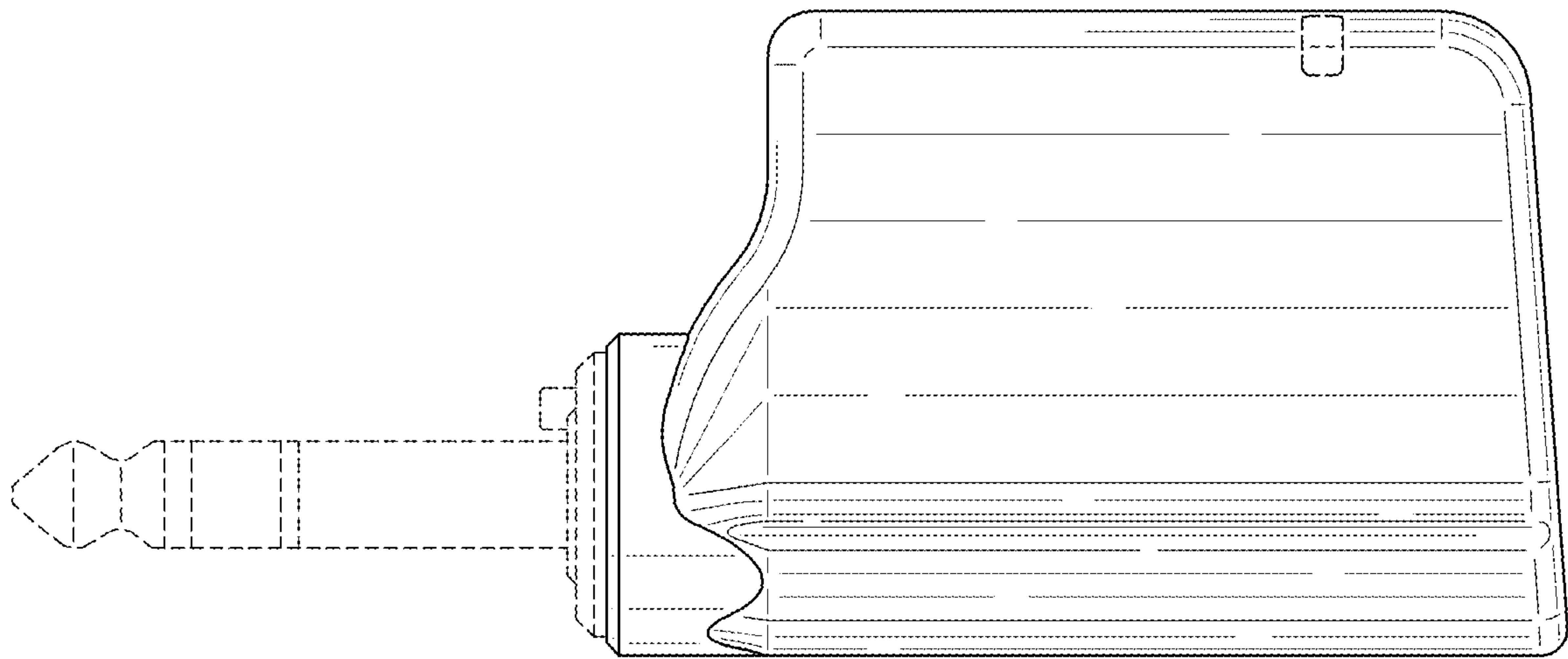


FIG. 2

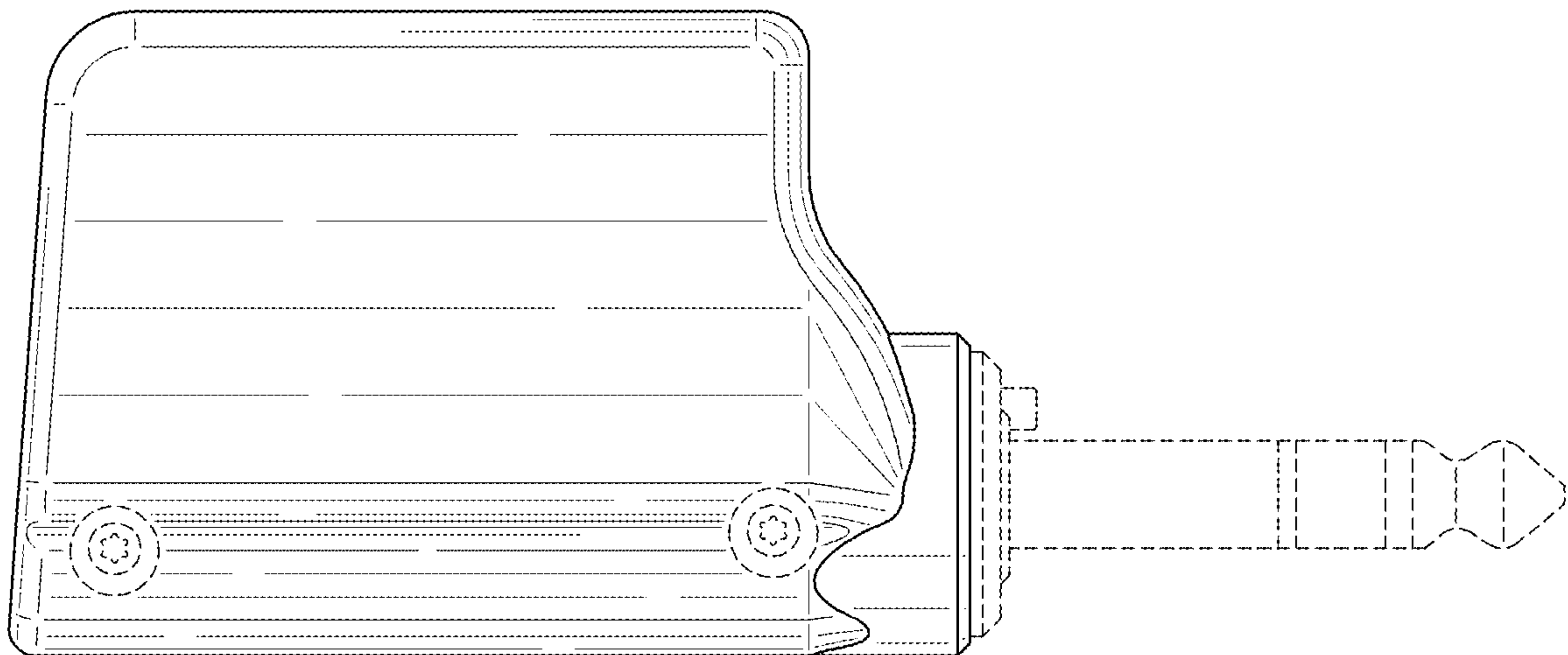


FIG. 3

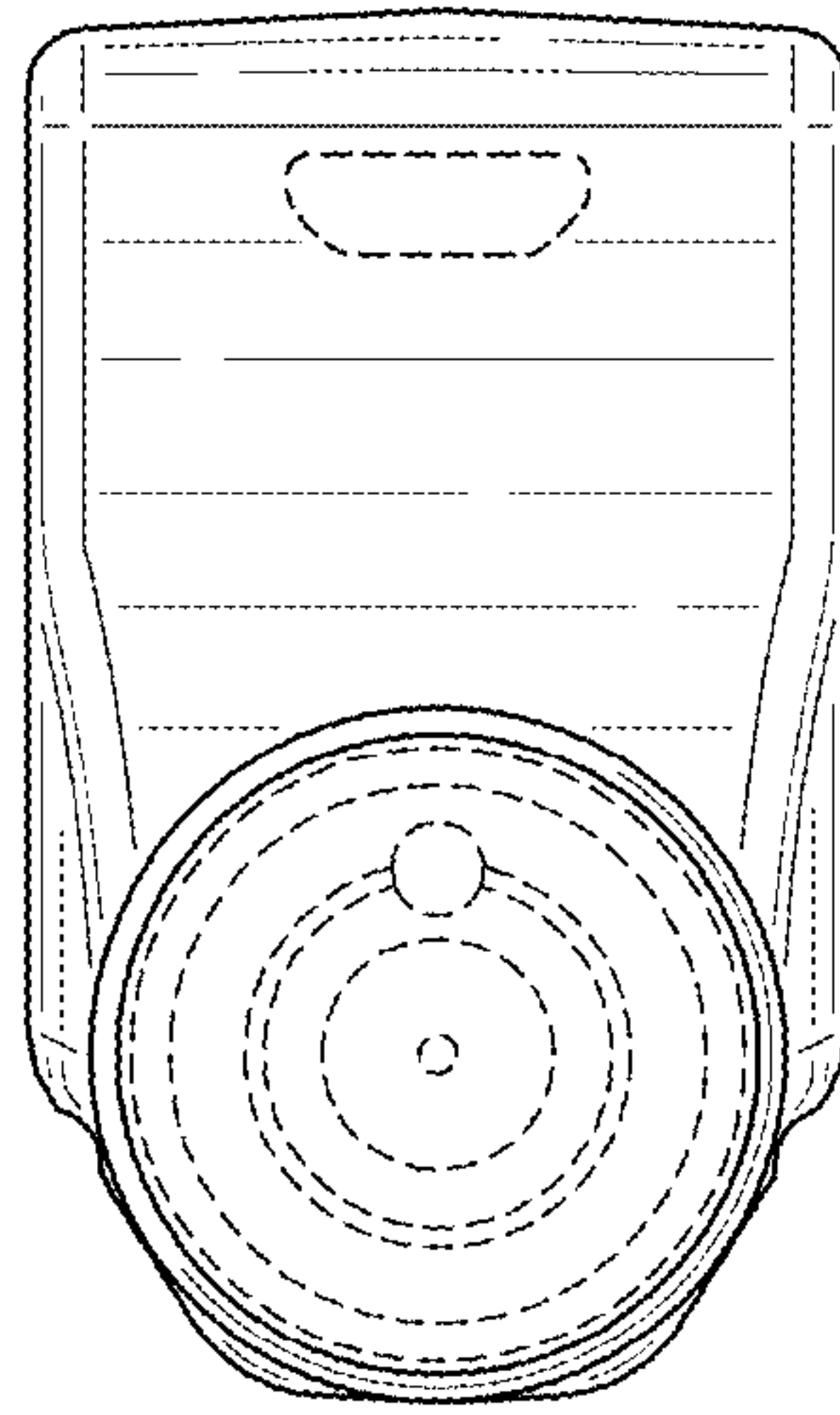


FIG. 4

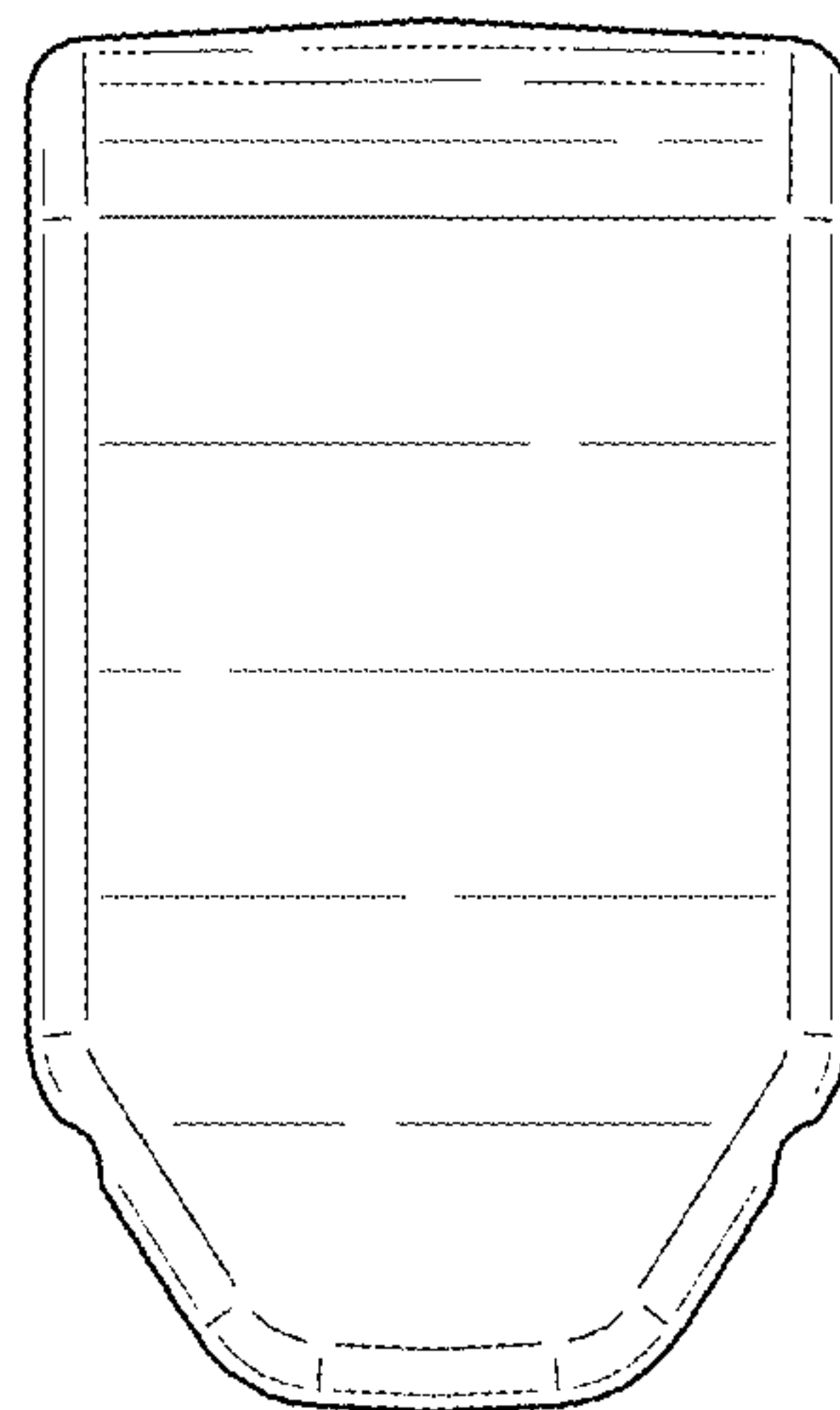


FIG. 5

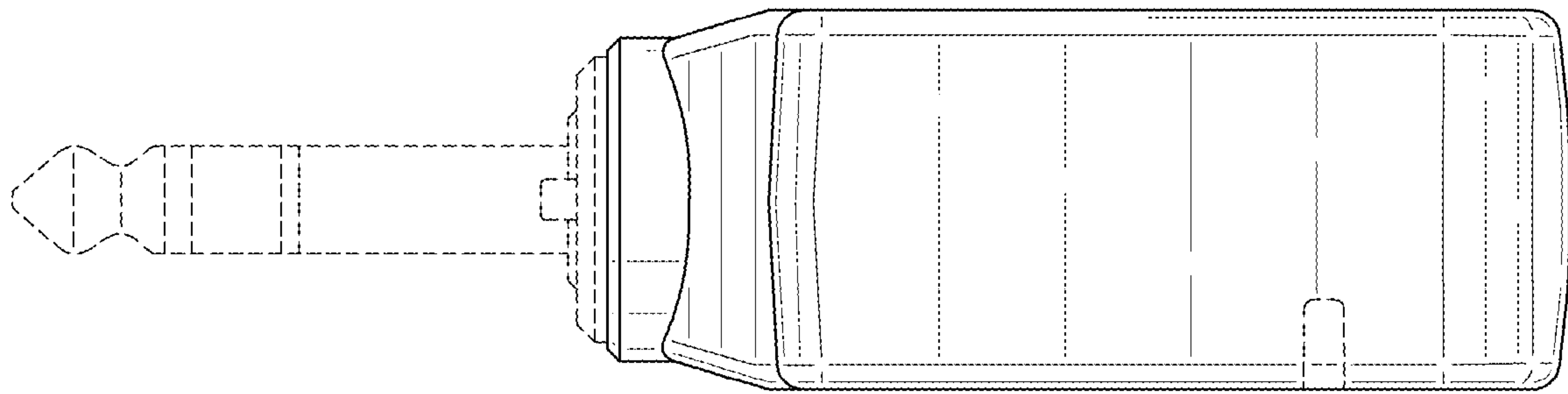


FIG. 6

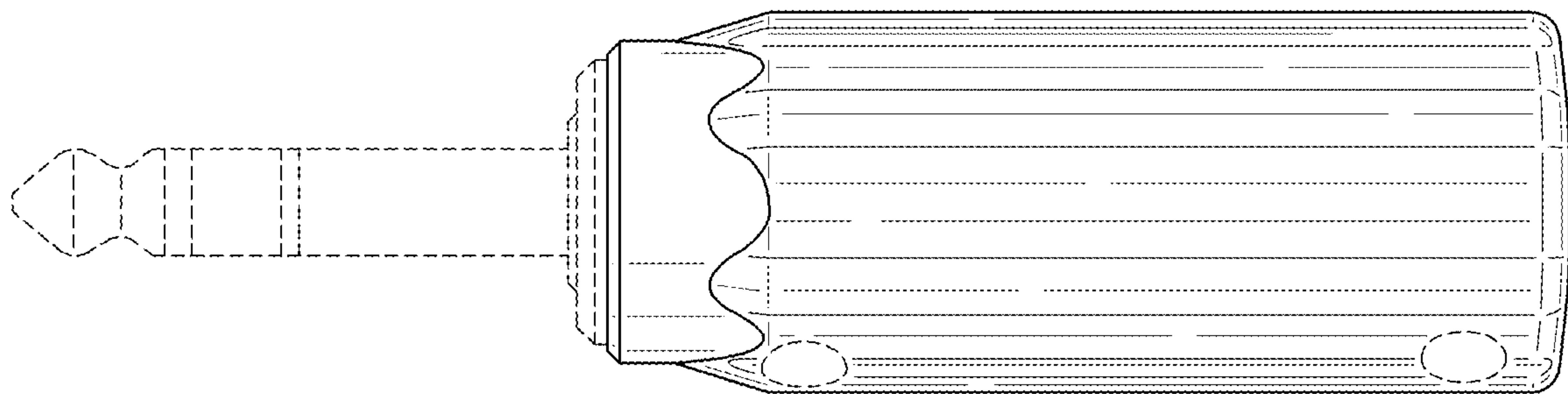


FIG. 7