



US00D876402S

(12) **United States Design Patent** (10) **Patent No.:** **US D876,402 S**
Liu (45) **Date of Patent:** **** Feb. 25, 2020**

(54) **RADAR SENSOR APPARATUS**
(71) Applicant: **AUTEL ROBOTICS EUROPE GMBH, Ismaning (DE)**
(72) Inventor: **Kang Liu, Langen (DE)**
(73) Assignee: **AUTEL ROBOTICS EUROPE GMBH, Ismaning (DE)**
(**) Term: **15 Years**

D522,395 S * 6/2006 Chen D10/103
D630,198 S * 1/2011 Wilkens D14/240
D667,005 S * 9/2012 Lutz D14/314
D670,277 S * 11/2012 Huang D14/240
D744,483 S * 12/2015 Barbu D14/358
D780,731 S * 3/2017 Kim D14/242
D781,272 S * 3/2017 Virhia D14/240
D804,971 S * 12/2017 Heikkila D10/70
D810,078 S * 2/2018 Kikuchi D14/358
D820,244 S * 6/2018 Cowles D14/239
D831,646 S * 10/2018 Kusano D14/358
D851,618 S * 6/2019 Zhong D14/159
D857,678 S * 8/2019 Vardi D14/242

(21) Appl. No.: **29/655,088**
(22) Filed: **Jun. 29, 2018**
(51) **LOC (12) Cl.** **14-03**
(52) **U.S. Cl.**
USPC **D14/230**
(58) **Field of Classification Search**
USPC D14/138, 230-238, 299, 358; D12/42, D12/43
CPC H01Q 7/00; H01Q 13/10; H01Q 9/285; H01Q 19/30; H01Q 19/12; H01Q 1/38; H01Q 1/36; H01Q 19/10; H04B 1/0475; H04B 1/034; H05K 11/00
See application file for complete search history.

* cited by examiner

Primary Examiner — John Windmuller

(57) **CLAIM**

The ornamental design for a radar sensor apparatus, as shown and described.

DESCRIPTION

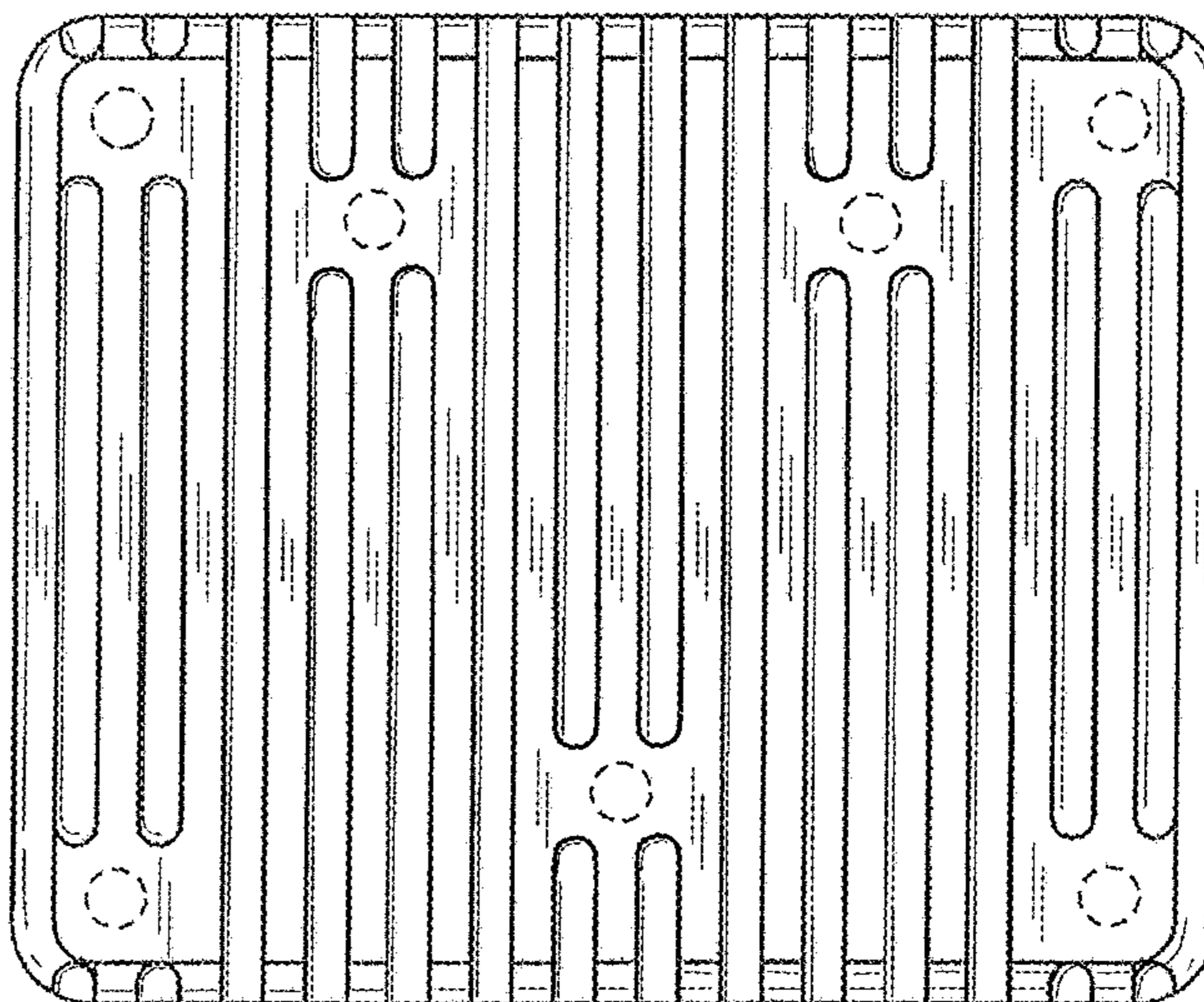
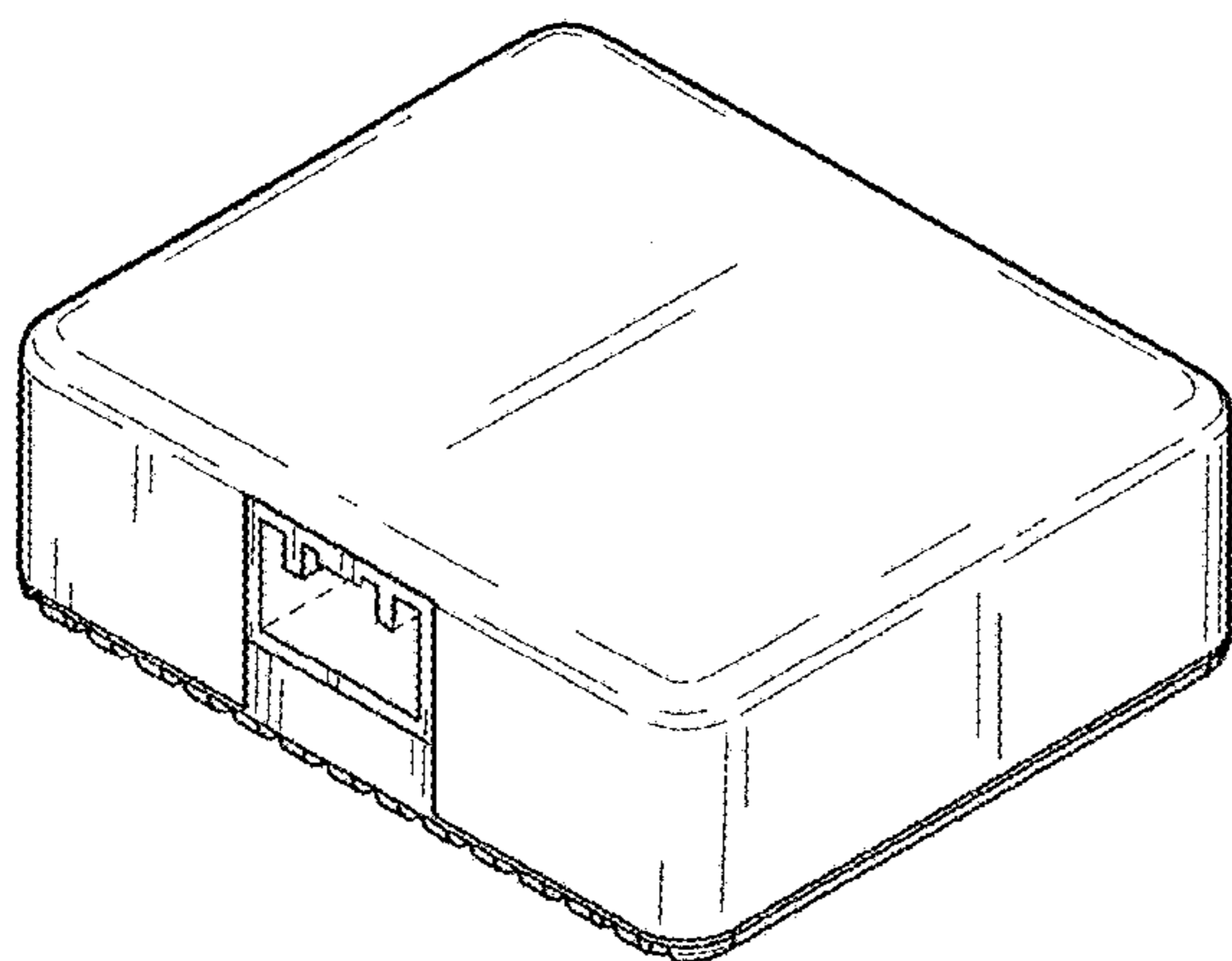
FIG. 1 is a perspective view of the radar sensor apparatus showing my new design;
FIG. 2 is another perspective view thereof;
FIG. 3 is a front elevational view thereof;
FIG. 4 is a rear side elevational view thereof;
FIG. 5 is a left side elevational view thereof;
FIG. 6 is a right side elevational view thereof;
FIG. 7 is a top plan view thereof; and,
FIG. 8 is a bottom plan view thereof.
The dotted line portions in the drawings do not form part of the design.

(56) **References Cited**

U.S. PATENT DOCUMENTS

D324,514 S * 3/1992 Ishida D14/358
D479,823 S * 9/2003 Andre D13/110
D503,679 S * 4/2005 Andre D13/110

1 Claim, 5 Drawing Sheets



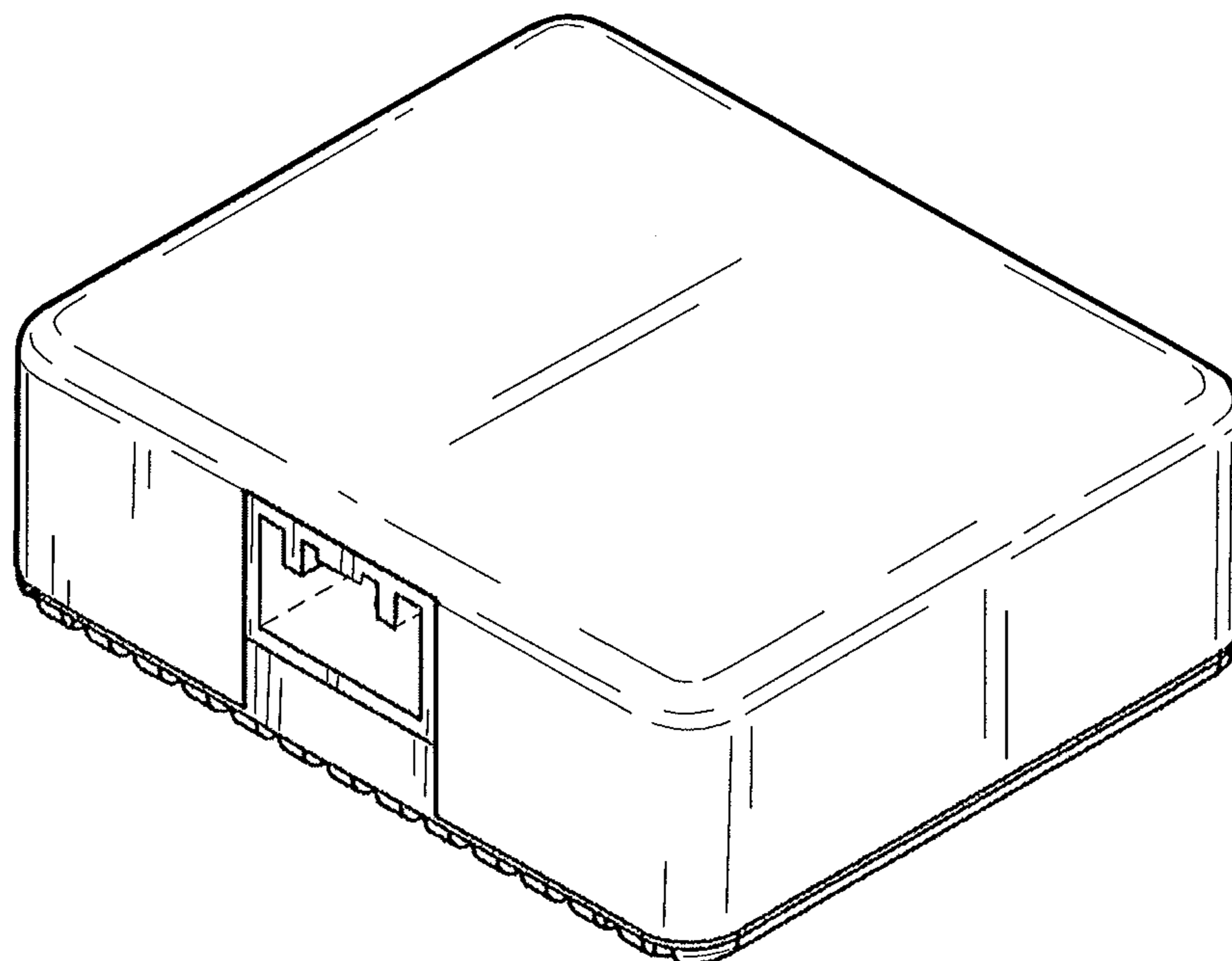


FIG. 1

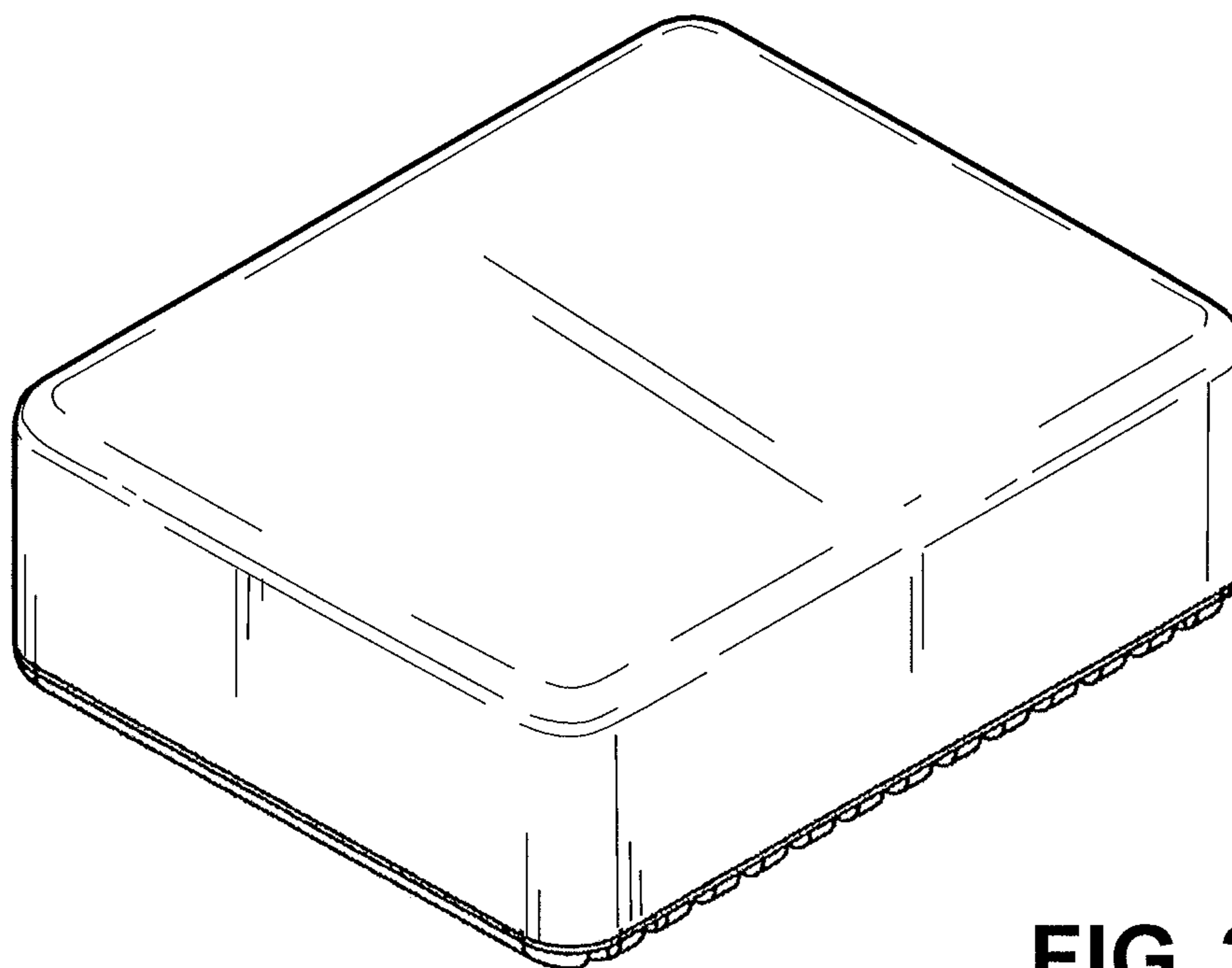


FIG. 2

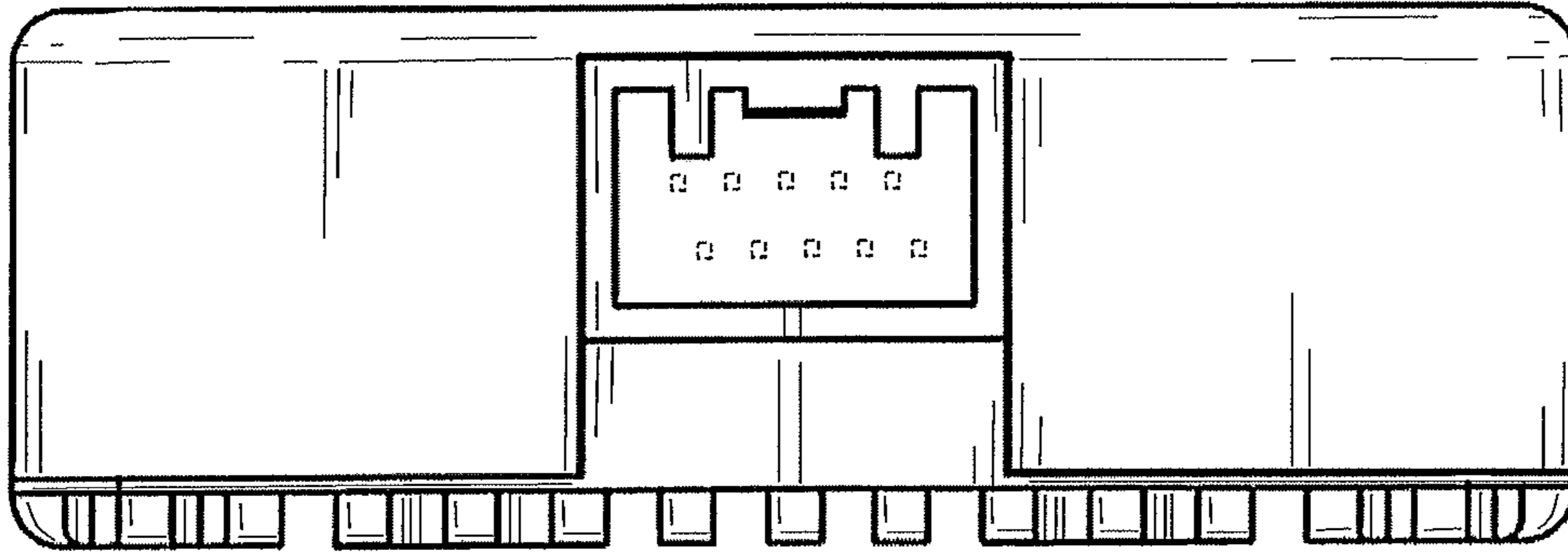


FIG. 3

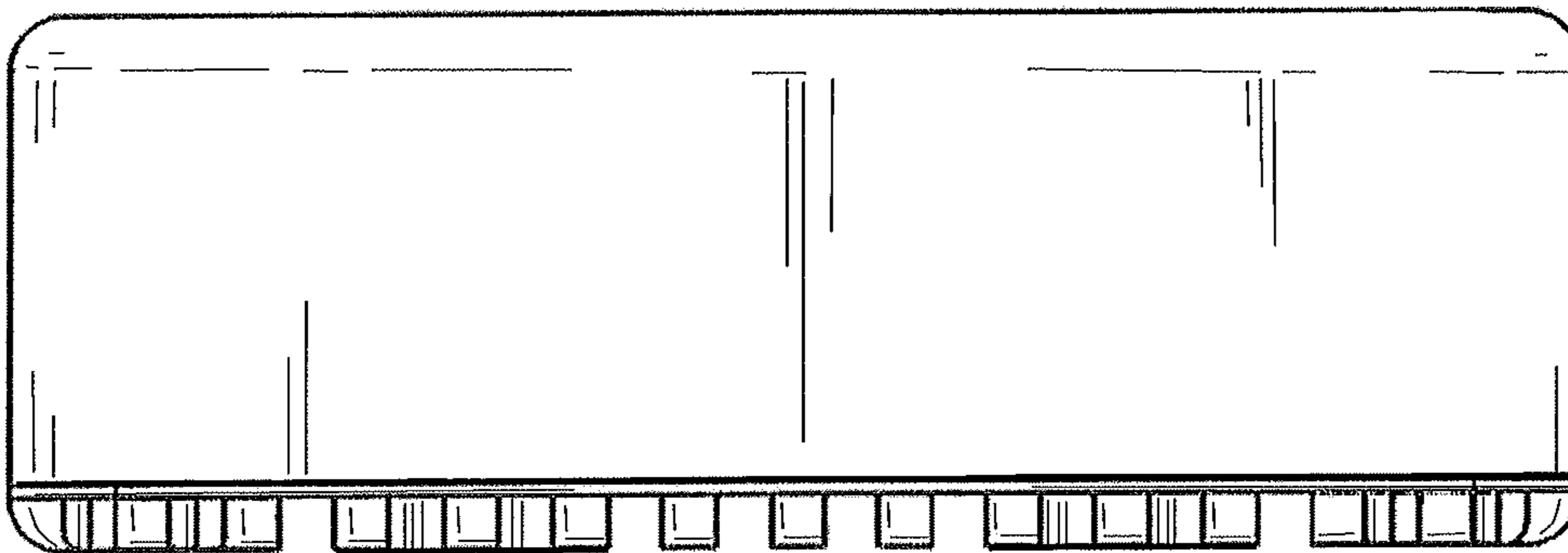


FIG. 4

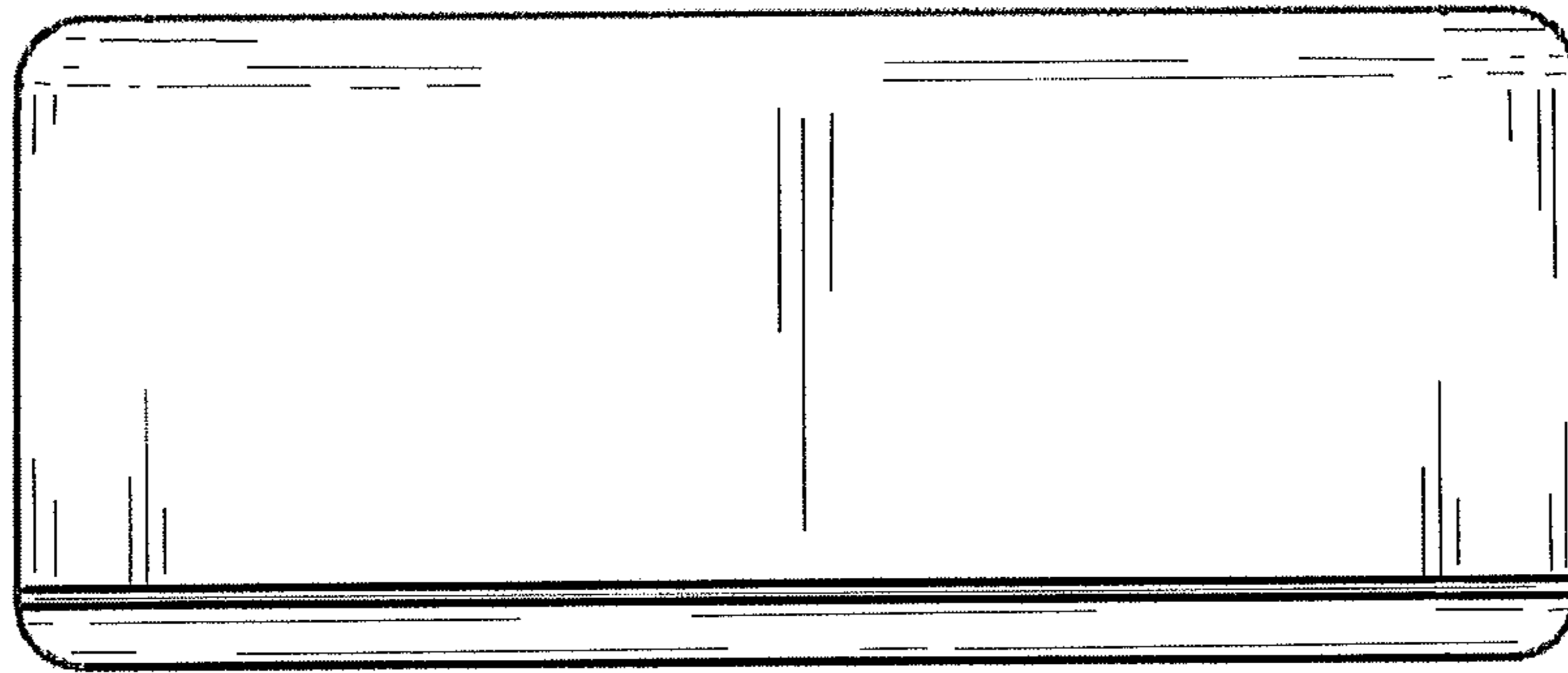


FIG. 5

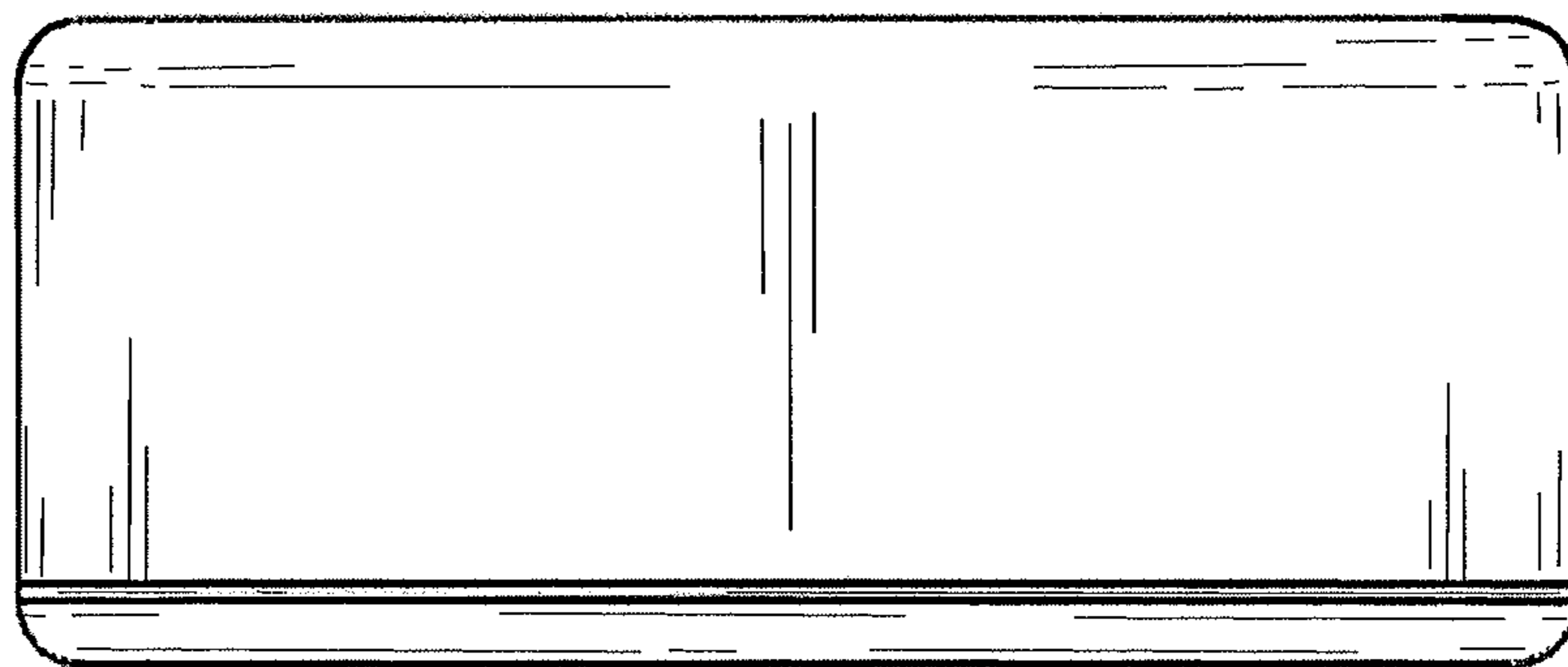


FIG. 6

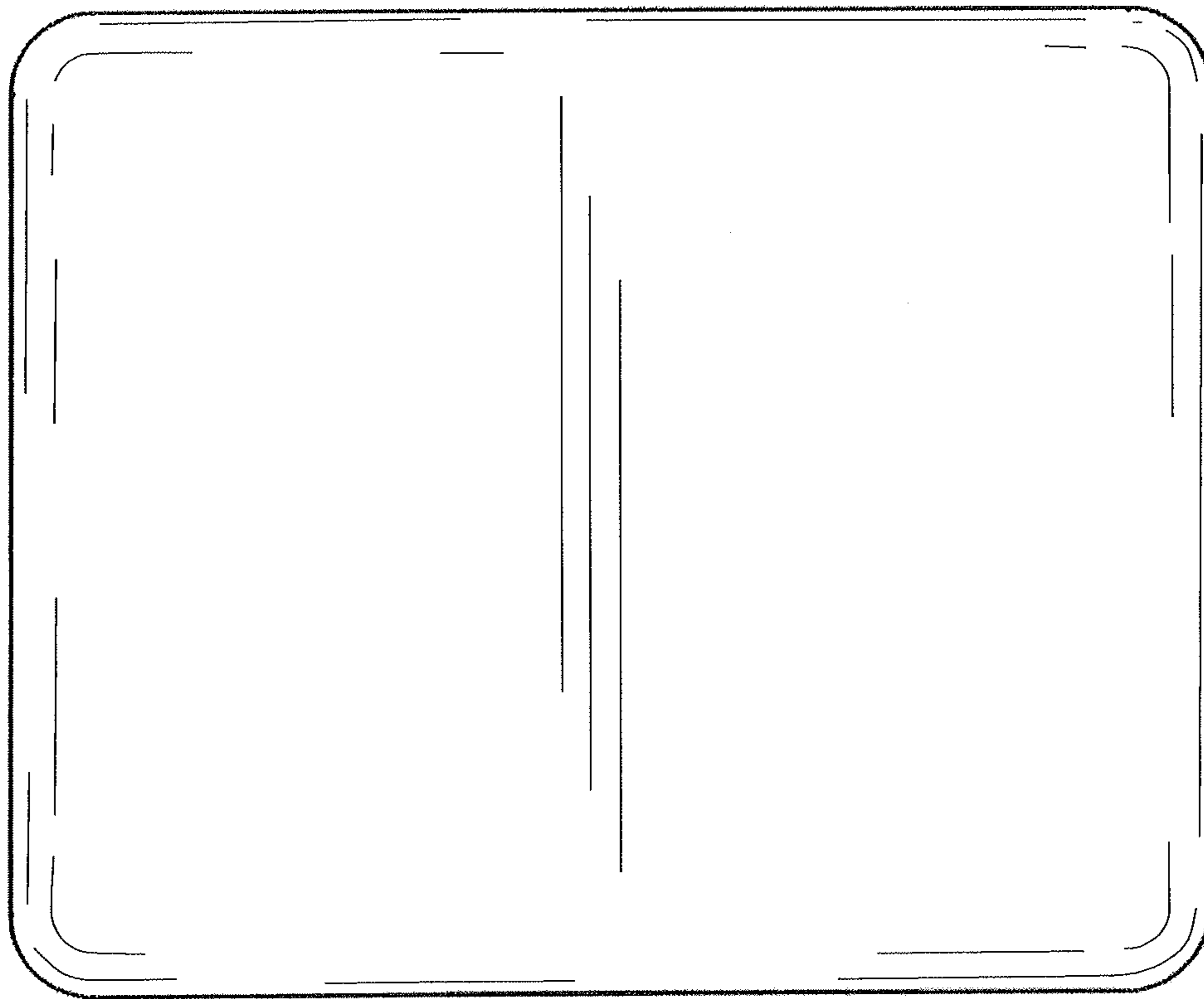


FIG. 7

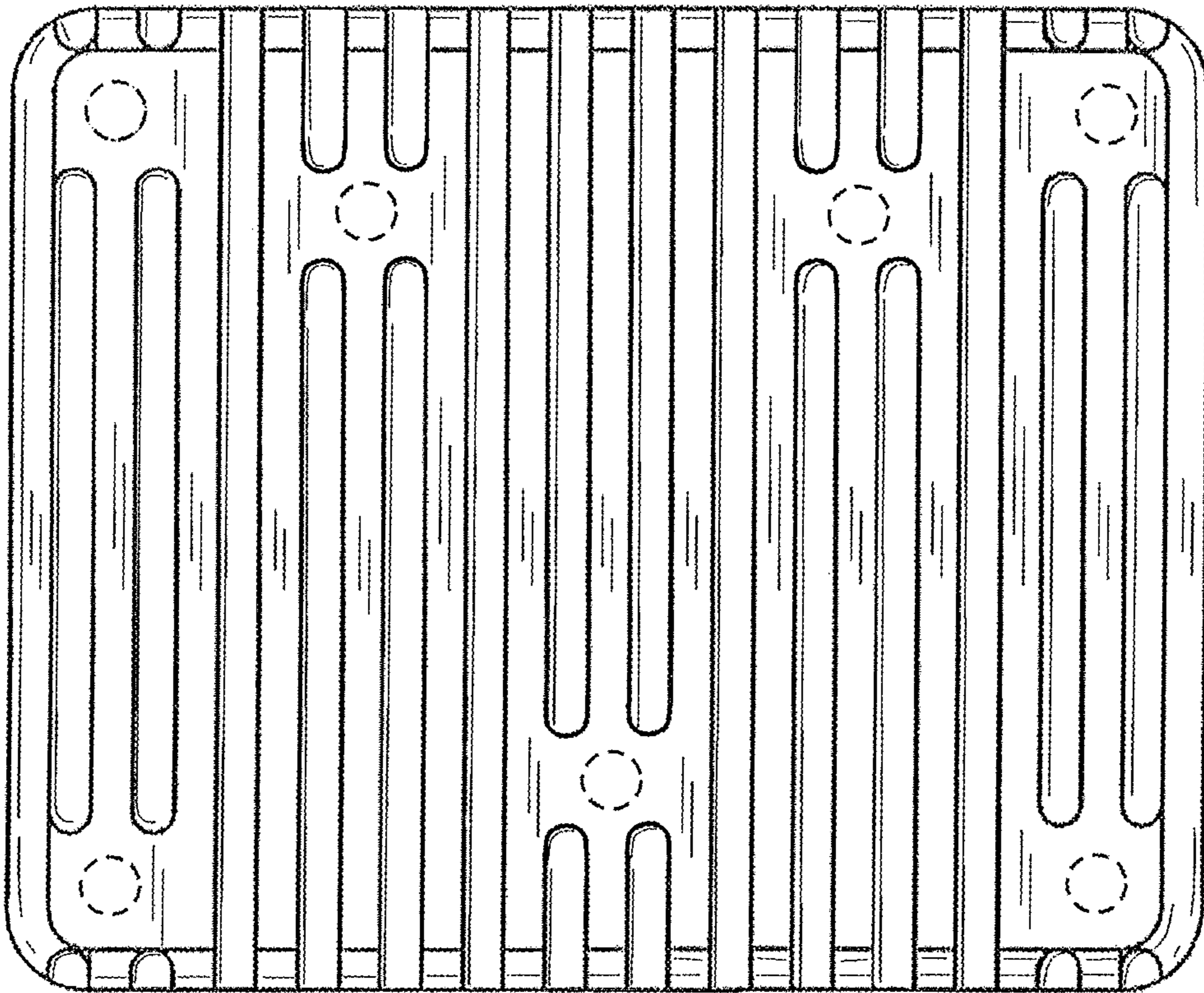


FIG. 8