



US00D876400S

(12) **United States Design Patent** (10) **Patent No.:** **US D876,400 S**
Russo et al. (45) **Date of Patent:** **** Feb. 25, 2020**

(54) **MICROPHONE HUB**
(71) Applicant: **Logitech Europe S.A.**, Lausanne (CH)
(72) Inventors: **Giuseppe Russo**, Redwood City, CA (US); **Drew Putterman**, Oakland, CA (US)
(73) Assignee: **Logitech Europe S.A.**, Lausanne (CH)
(**) Term: **15 Years**

D408,591 S * 4/1999 Litton D28/82
D433,994 S * 11/2000 Jobs D13/110
D435,835 S * 1/2001 Steck D13/168
D439,376 S * 3/2001 Lerolle D28/82
D444,777 S * 7/2001 Bird D14/150
D457,150 S * 5/2002 Chen D14/150
D459,515 S * 6/2002 Gaskins D26/67
D469,411 S * 1/2003 Decosse D13/171
D474,169 S * 5/2003 Fletcher D14/159
D481,370 S * 10/2003 Popowski D14/150
(Continued)

(21) Appl. No.: **29/650,445**
(22) Filed: **Jun. 6, 2018**
(51) **LOC (12) Cl.** **14-01**
(52) **U.S. Cl.**
USPC **D14/228**
(58) **Field of Classification Search**
USPC D14/228, 225, 140, 150, 137, 240, 255,
D14/338, 142, 496, 215, 230, 400, 203.6,
D14/356, 151; D13/108, 110, 168, 184;
D28/78, 82, 91; D9/504, 505, 519;
132/296, 305; 381/334, 77, 91, 111, 113,
381/122, 174, 355, 369; D21/324;
455/95, 100, 569.2, 550.1; 273/148 B
CPC . H04R 25/00; H04R 1/02; H04R 5/02; H04R
9/08; H04R 2420/07; F16M 11/38; F16M
13/00
See application file for complete search history.

FOREIGN PATENT DOCUMENTS

JP D1630224 * 4/2019
Primary Examiner — Paula Allen Greene
(74) *Attorney, Agent, or Firm* — Kilpatrick Townsend & Stockton LLP

(57) **CLAIM**

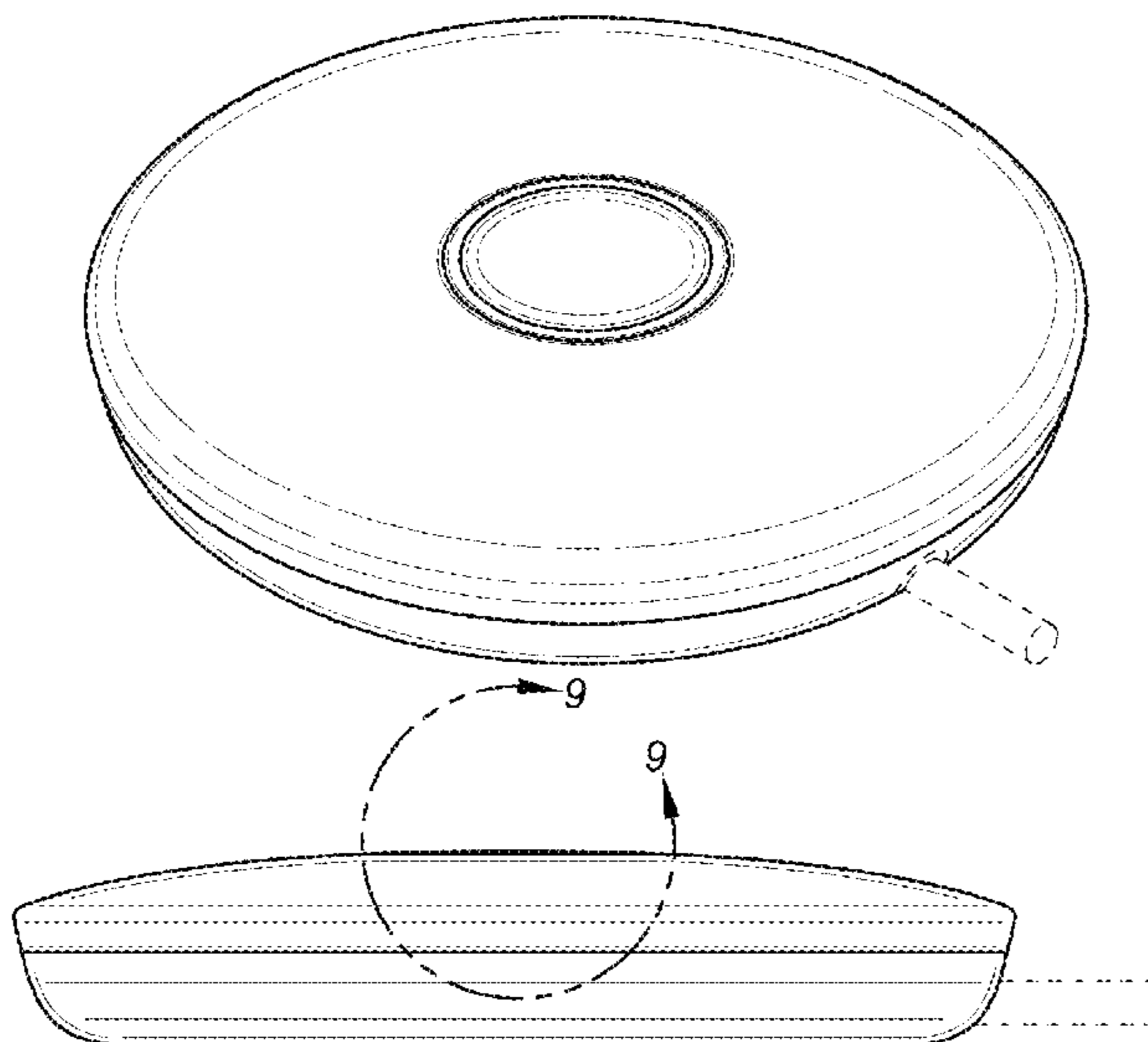
The ornamental design for microphone hub, as shown and described.

DESCRIPTION

FIG. 1 is a perspective view of our microphone hub showing our new design;
FIG. 2 is a second perspective view thereof;
FIG. 3 is a top plan view thereof;
FIG. 4 is a bottom plan view thereof;
FIG. 5 is a front elevation view thereof;
FIG. 6 is a rear elevation view thereof;
FIG. 7 is a right side elevation view thereof;
FIG. 8 is a left side elevation view thereof; and,
FIG. 9 shows an enlarged portion of the microphone hub from a front elevation view as identified in FIG. 5.
The broken lines immediately adjacent the shaded areas represent the bounds of the claimed design while all other broken lines are directed to environment and are for illustrative purposes only; the broken lines form no part of the claimed design.

1 Claim, 4 Drawing Sheets

(56) **References Cited**
U.S. PATENT DOCUMENTS
2,555,047 A * 5/1951 Logue A45C 11/24
222/142.9
4,184,048 A * 1/1980 Alcaide H04M 3/569
379/388.02
D304,944 S * 12/1989 Behringer D14/188
D327,690 S * 7/1992 Ogawa D14/230
D342,808 S * 12/1993 Bakic D28/82
D391,943 S * 3/1998 Han D14/356
D408,285 S * 4/1999 Favre D28/76



(56)

References Cited

U.S. PATENT DOCUMENTS

D494,633 S * 8/2004 Nussberger D21/324
 D495,676 S * 9/2004 Slevin D14/150
 D499,392 S * 12/2004 Bathurst D14/150
 6,836,676 B2 * 12/2004 Lloyd H04M 1/6041
 379/420.01
 D507,569 S * 7/2005 Tagliabue D14/356
 D510,571 S * 10/2005 Cutler D14/125
 D512,417 S * 12/2005 Hirakawa D14/223
 D514,095 S * 1/2006 Wilson D14/223
 D514,122 S * 1/2006 Rodarte D14/203.6
 D518,030 S * 3/2006 Lin D14/218
 D518,819 S * 4/2006 Gray D14/230
 7,159,789 B2 * 1/2007 Schwendinger ... G05D 23/1904
 236/1 C
 D568,304 S * 5/2008 Park D14/240
 D584,295 S * 1/2009 Kellar D14/228
 D597,514 S * 8/2009 Gencarella D14/138 AC
 D601,564 S * 10/2009 Maeno D14/400
 D601,565 S * 10/2009 Maeno D14/400
 D602,915 S * 10/2009 Song D14/218
 D612,832 S * 3/2010 Li D14/150
 D612,865 S * 3/2010 Zhang D14/496
 D632,265 S * 2/2011 Choi D13/168
 D643,412 S * 8/2011 Brady D14/218
 D656,130 S * 3/2012 Bailey D14/227

8,188,842 B2 * 5/2012 Otsuka G08C 17/02
 340/12.15
 8,462,976 B2 * 6/2013 Tamaru H04M 1/02
 379/202.01
 D685,755 S * 7/2013 Shin D14/142
 D685,790 S * 7/2013 Tang D14/218
 D698,765 S * 2/2014 Bremaud D14/231
 D700,571 S * 3/2014 Guccione D13/108
 D711,345 S * 8/2014 Liu D14/140
 8,855,349 B2 * 10/2014 Yeh H04R 1/10
 381/334
 D718,236 S * 11/2014 Murray D13/108
 D725,088 S * 3/2015 Kwak D14/240
 D731,996 S * 6/2015 Border D14/150
 D735,131 S * 7/2015 Akana D13/108
 D743,382 S * 11/2015 Katori D14/228
 D772,813 S * 11/2016 Wahl D13/108
 D773,947 S * 12/2016 Scarcella D10/104.1
 D784,963 S * 4/2017 Saule D14/228
 9,793,869 B1 * 10/2017 Snyder G01D 5/3473
 D812,563 S * 3/2018 Akana D13/108
 D834,567 S * 11/2018 Snyder D14/228
 D835,085 S * 12/2018 Burmeister-Brown D14/240
 2002/0149566 A1 * 10/2002 Sarkissian G06F 3/0202
 345/168
 2013/0028457 A1 * 1/2013 Yeh H04R 1/10
 381/334
 2015/0334480 A1 * 11/2015 Yang H04R 9/06
 381/394

* cited by examiner

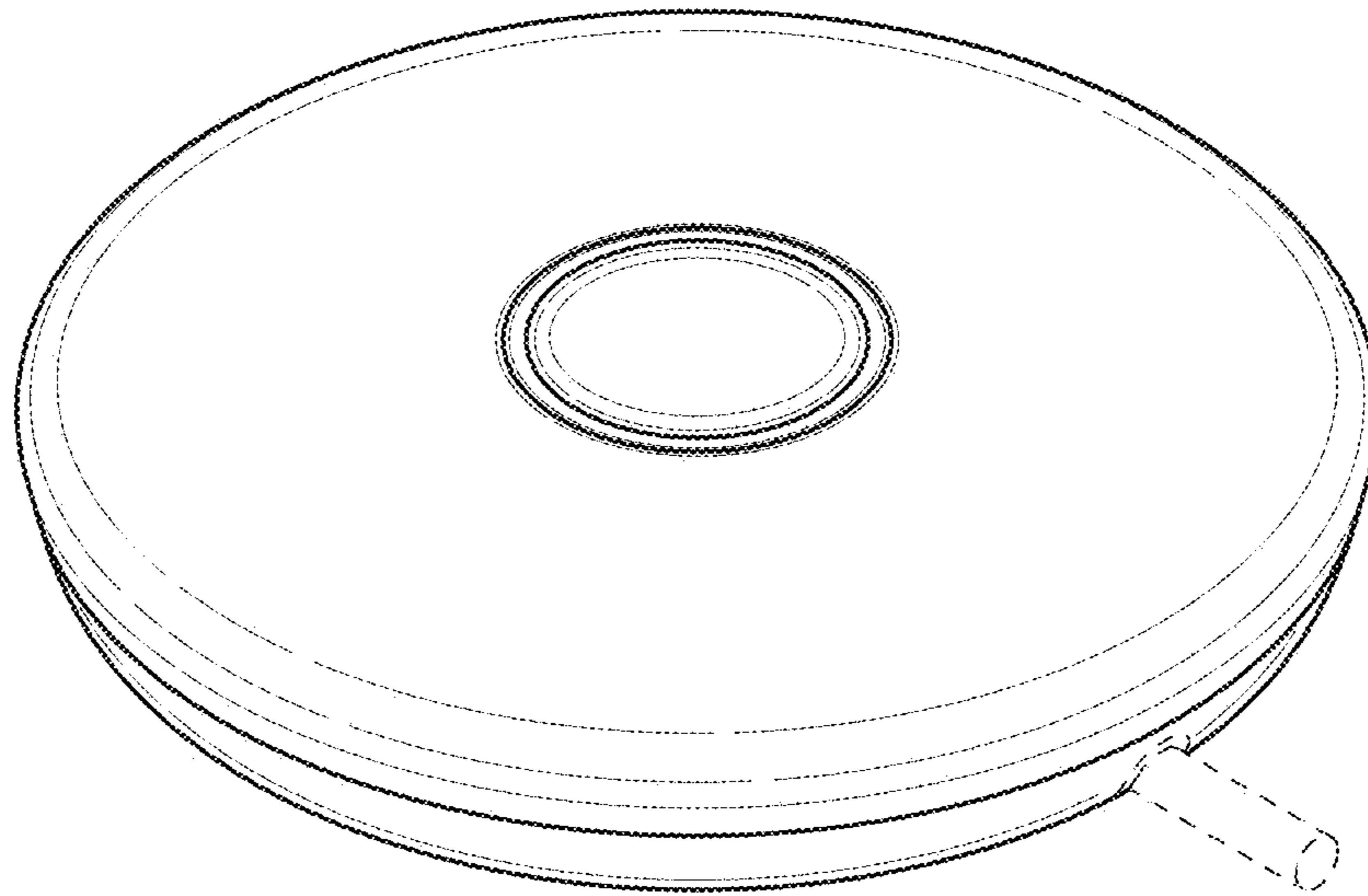


FIG. 1

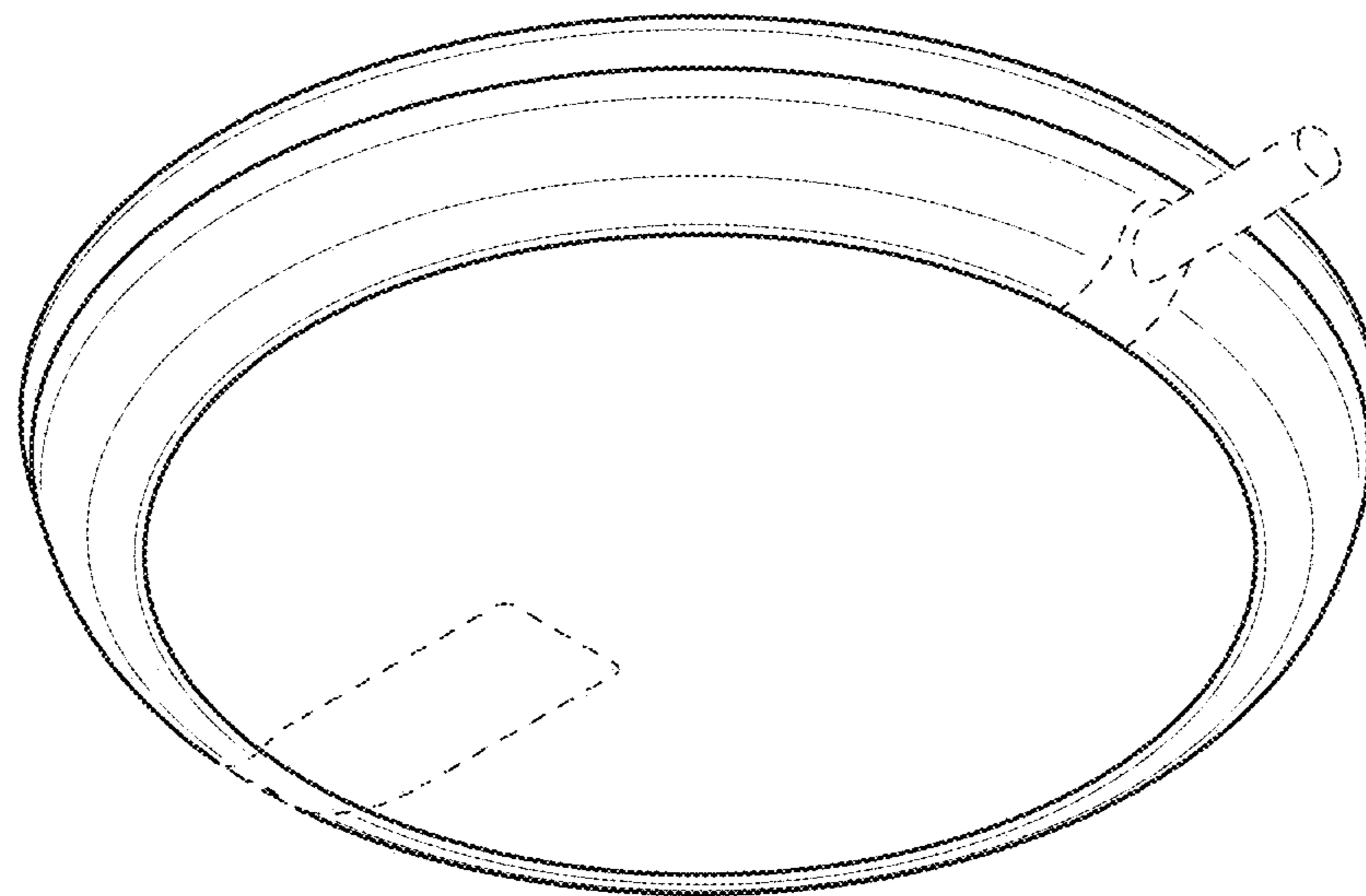


FIG. 2

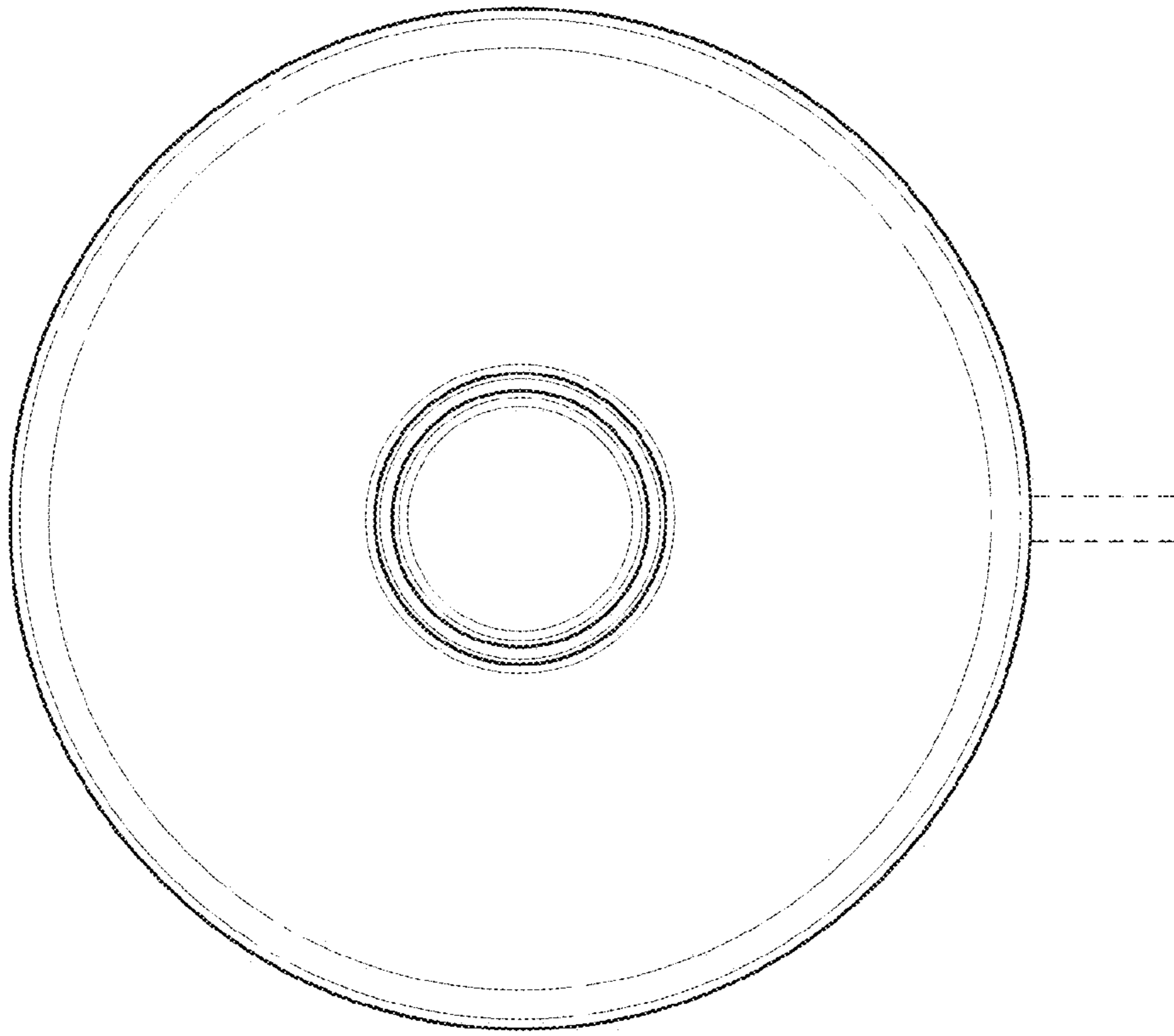


FIG. 3

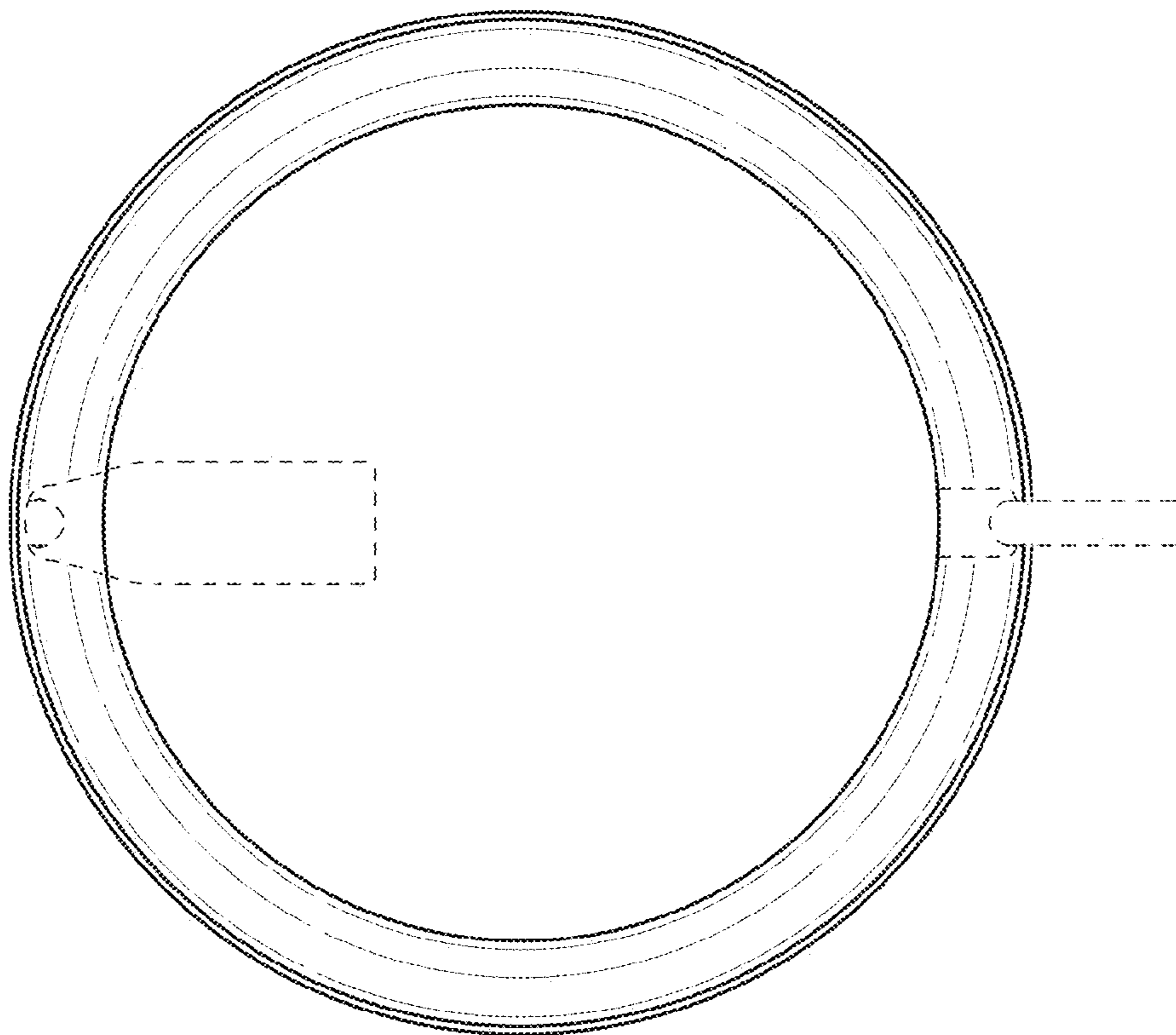


FIG. 4

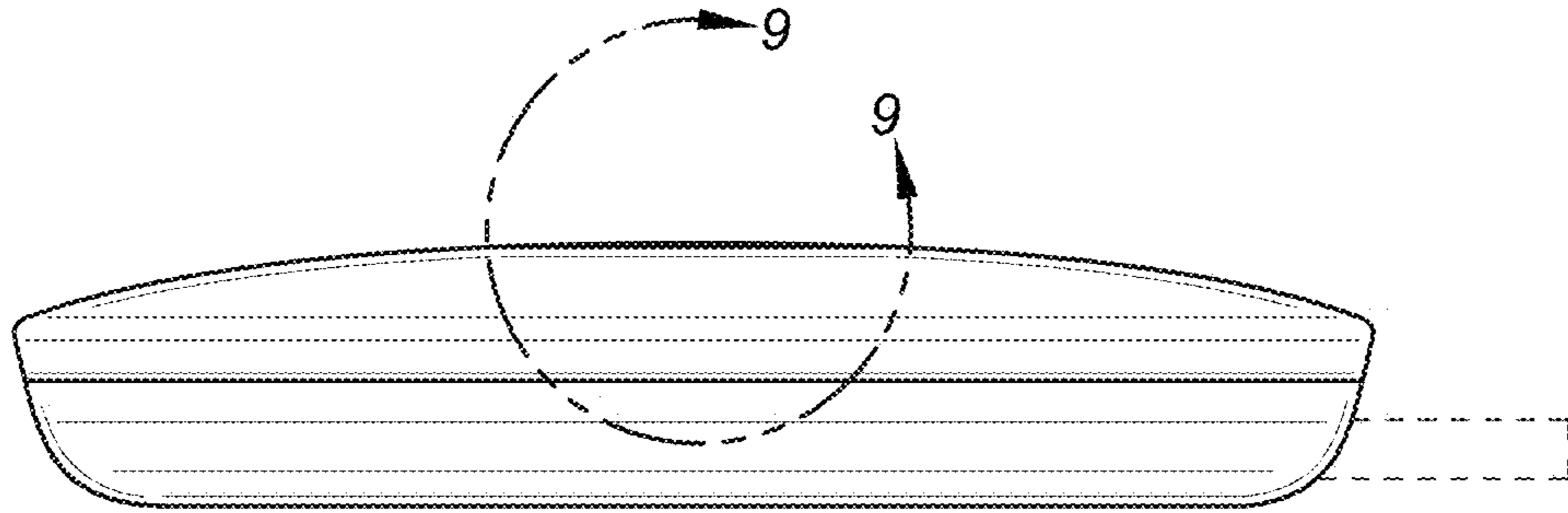


FIG. 5

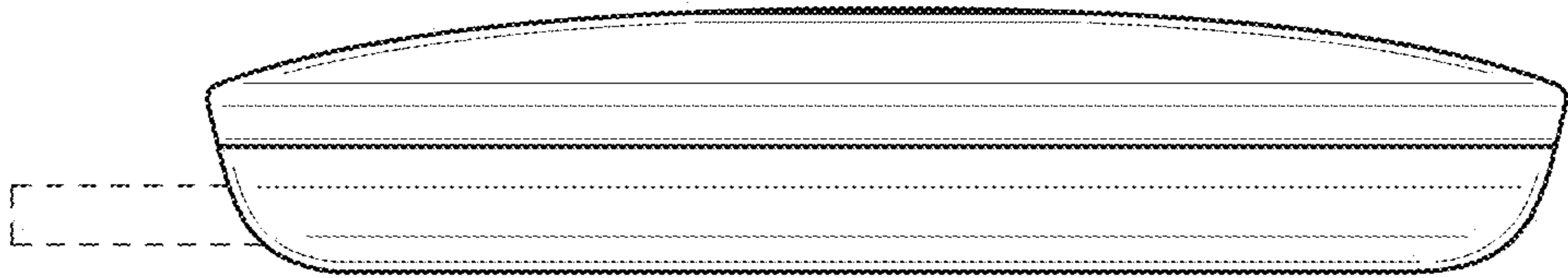


FIG. 6

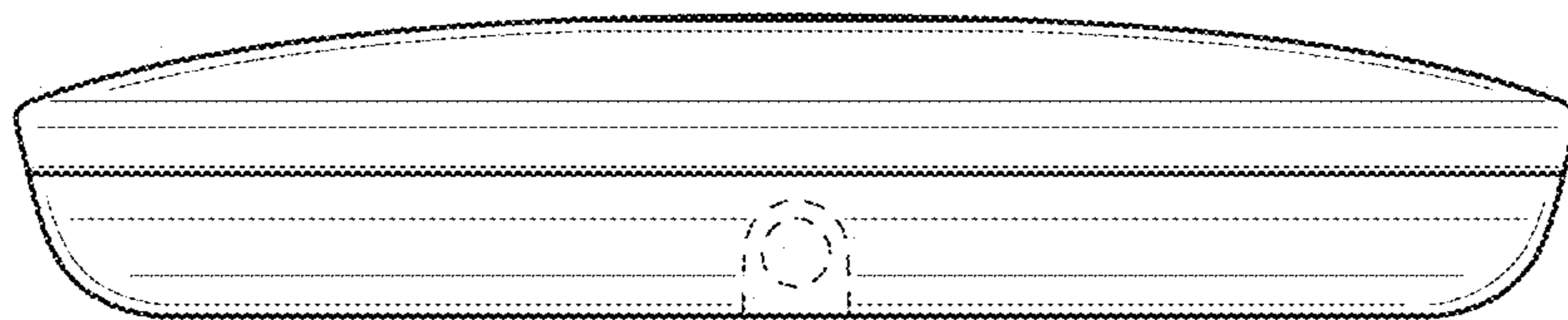


FIG. 7

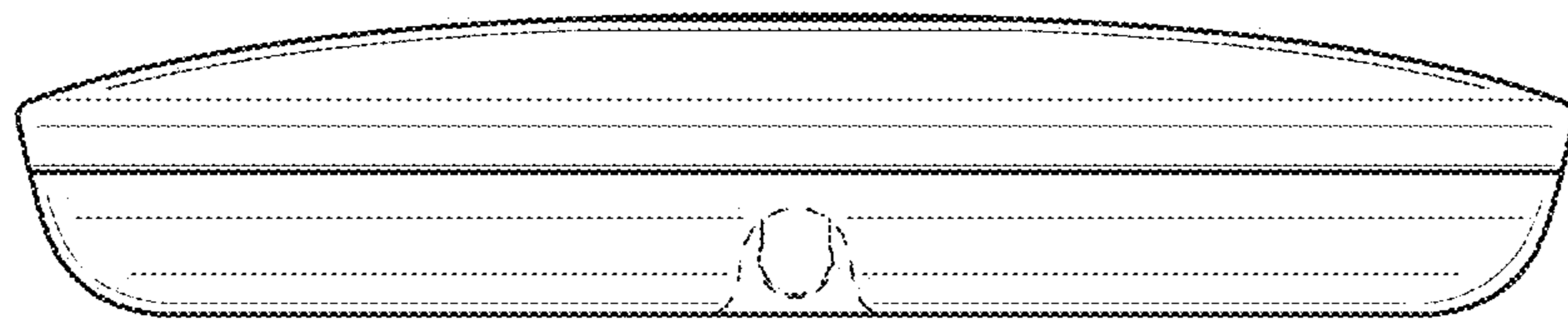


FIG. 8

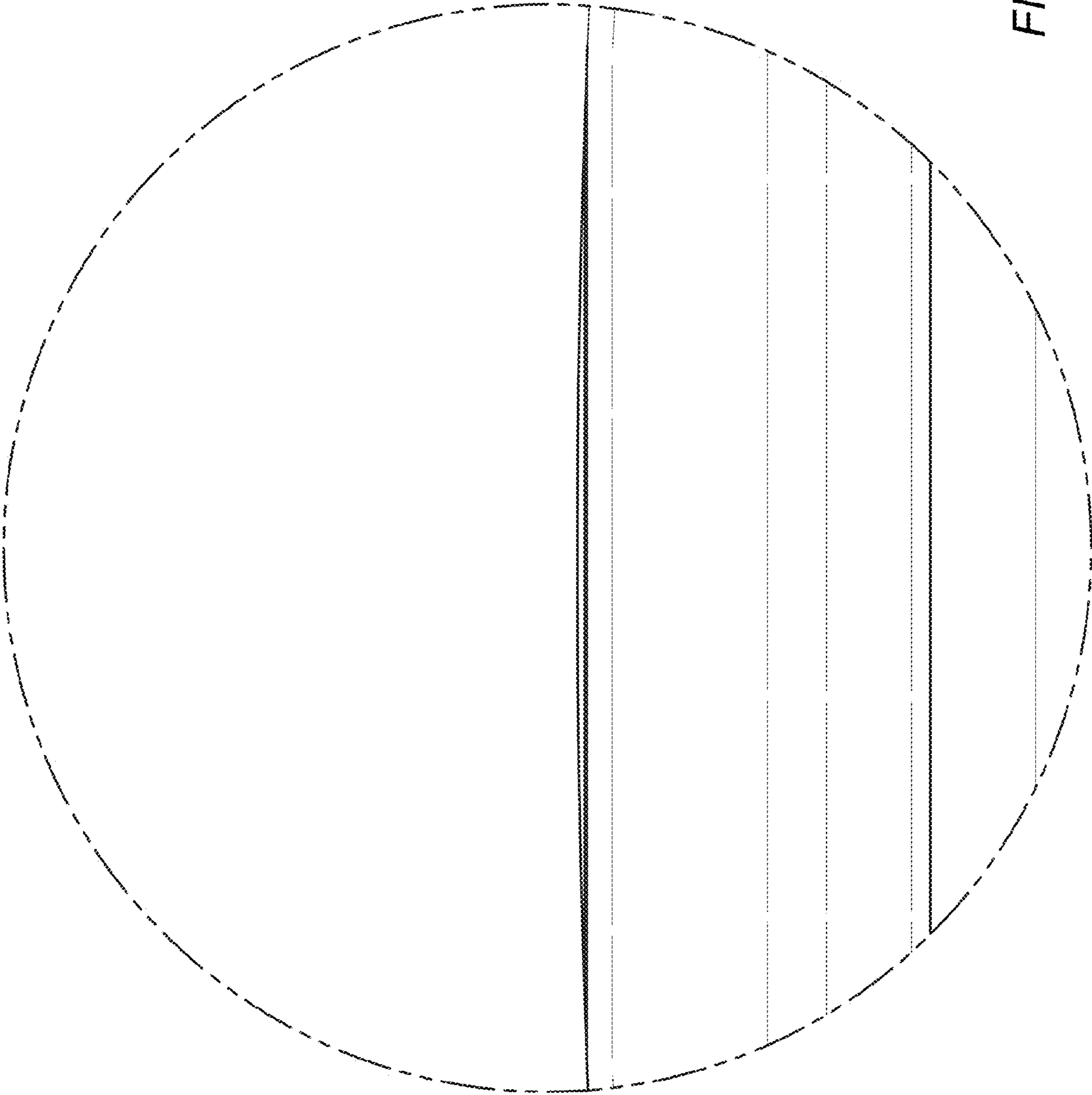


FIG. 9