



US00D876399S

(12) **United States Design Patent**
Duddy et al.

(10) **Patent No.:** **US D876,399 S**
(45) **Date of Patent:** **** Feb. 25, 2020**

(54) **SINGLE PIECE HEADPHONE**

FOREIGN PATENT DOCUMENTS

(71) Applicant: **Logitech Europe S.A.**, Lausanne (CH)

EM 001965245-0008 * 12/2011
JP D1453162 * 9/2012

(72) Inventors: **Stephen Duddy**, Moama (AU); **Kuo-yu Kao**, Hsinchu (TW); **Jeremy Saxton**, Draper, UT (US); **Guillaume Mathias**, Park City, UT (US); **Shyh-Dean Chen**, Hsinchu (TW); **Jeffery Cheung**, To Kwa Wan (CN)

Primary Examiner — Paula Allen Greene

(74) *Attorney, Agent, or Firm* — Patterson & Sheridan, LLP

(73) Assignee: **Logitech Europe S.A.**, Lausanne (CH)

(57) **CLAIM**

The ornamental design of a single piece headphone, as shown and described.

(**) Term: **15 Years**

DESCRIPTION

(21) Appl. No.: **29/664,812**

(22) Filed: **Sep. 27, 2018**

(51) **LOC (12) Cl.** **14-01**

(52) **U.S. Cl.**
USPC **D14/223**

(58) **Field of Classification Search**
USPC D14/223, 205; 181/129, 130, 135;
379/430, 431; 381/380, 381, 370, 153,
381/382, 328; 455/90.3, 575.1, 569.1
CPC H04R 1/1066; H04R 1/1016; H04R 5/033;
H04R 5/0335; H04R 1/008; H04R 1/1058
See application file for complete search history.

FIG. 1 is a top front right side perspective view of a single piece headphone according to our design;
FIG. 2 is a top back left side perspective view of the single piece headphone shown in FIG. 1;
FIG. 3 is a bottom front left side perspective view of the single piece headphone shown in FIG. 1;
FIG. 4 is a bottom back right side perspective view of the single piece headphone shown in FIG. 1;
FIG. 5 is a left side view of the single piece headphone shown in FIG. 1;
FIG. 6 is a front side view of the single piece headphone shown in FIG. 1;
FIG. 7 is a right side view of the single piece headphone shown in FIG. 1;
FIG. 8 is a back side view of the single piece headphone shown in FIG. 1;
FIG. 9 is a top view of the single piece headphone shown in FIG. 1; and,
FIG. 10 is a bottom view of the single piece headphone shown in FIG. 1.

The dashed lines shown in the various figures are provided for the purpose of illustrating unclaimed portions of the single piece headphone and are included for the purpose of illustrating environment; and the dashed lines form no part of the claimed design.

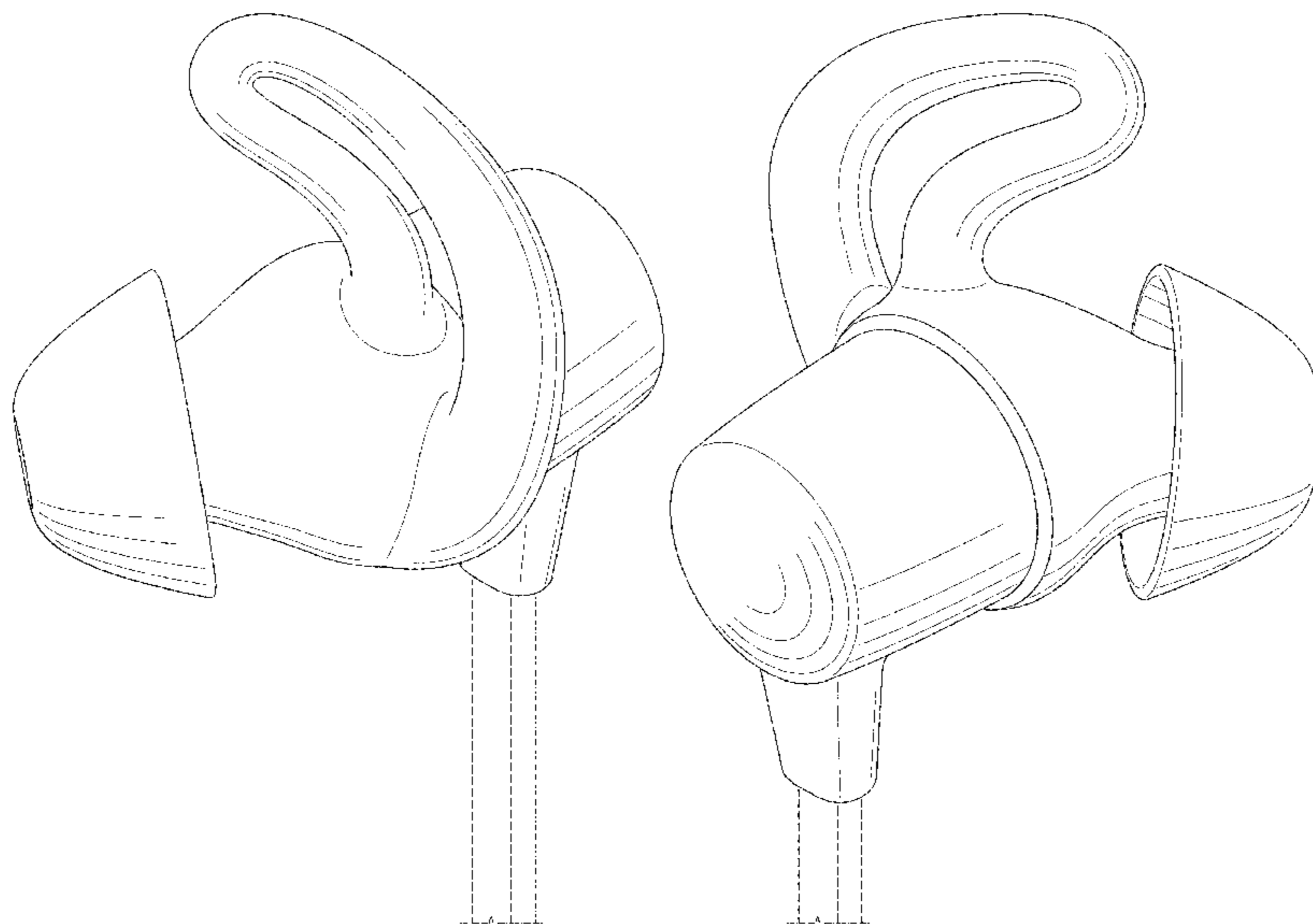
(56) **References Cited**

U.S. PATENT DOCUMENTS

469,755 A	3/1892	Stone	
1,080,953 A	12/1913	Catucci	
2,975,244 A	3/1961	Lehr	
4,429,194 A	1/1984	Kamon et al.	
D348,067 S	6/1994	Lucey et al.	
5,363,444 A *	11/1994	Norris	H04M 1/05 379/430
5,373,555 A *	12/1994	Norris	H04M 1/05 379/430
5,420,935 A	5/1995	Shinohara et al.	

(Continued)

1 Claim, 10 Drawing Sheets



(56)

References Cited

U.S. PATENT DOCUMENTS

5,953,435 A *	9/1999	Mullin	H04R 1/105 381/328	8,625,834 B2	1/2014	Smith et al.	
D470,129 S	2/2003	Hlas et al.		D698,749 S	2/2014	Brunner et al.	
D470,836 S	2/2003	Amae et al.		D699,215 S *	2/2014	Koch	D14/205
D471,537 S	3/2003	Ham		8,737,669 B2 *	5/2014	Monahan	H04R 1/1016 381/380
D499,397 S	12/2004	Hlas et al.		D716,770 S	11/2014	Bonahoom et al.	
D529,901 S *	10/2006	Ohta	D14/223	8,897,480 B2	11/2014	Tan et al.	
7,123,737 B2	10/2006	Ham		D725,081 S	3/2015	Burgett et al.	
D554,627 S *	11/2007	Gondo	D14/223	D725,636 S	3/2015	McNamara et al.	
7,346,180 B2	3/2008	Ham		D729,775 S *	5/2015	Seo	D14/205
D567,217 S *	4/2008	Kamo	D14/205	D732,008 S	6/2015	Akana et al.	
D573,978 S *	7/2008	Ledbetter	D14/205	D733,101 S	6/2015	Pi et al.	
7,394,910 B2	7/2008	Smith et al.		D733,865 S	7/2015	Ely	
D576,154 S *	9/2008	Ledbetter	D14/223	9,088,846 B2	7/2015	Blanchard	
D582,398 S	12/2008	Nam et al.		D738,864 S	9/2015	Lee	
D587,681 S *	3/2009	Yanai	D14/205	D740,255 S	10/2015	Samrelius	
D589,493 S *	3/2009	Densho	D14/206	D741,287 S	10/2015	Harata et al.	
7,536,008 B2	5/2009	Howes et al.		D742,362 S	11/2015	Bonahoom et al.	
D594,441 S *	6/2009	Lee	D14/205	D743,948 S	11/2015	Crawford et al.	
D598,894 S *	8/2009	Masuda	D14/205	D743,949 S	11/2015	Miyake et al.	
D599,778 S *	9/2009	Ando	D14/205	D744,456 S	12/2015	Pedersen	
D605,182 S *	12/2009	Fagnot	D14/223	D747,702 S	1/2016	Breines	
D611,929 S	3/2010	Blanchard		D754,324 S	4/2016	Ely	
7,681,577 B2	3/2010	Blanchard		D754,638 S	4/2016	Krissman	
D627,764 S *	11/2010	Tsai	D14/223	D762,196 S *	7/2016	Hsieh	D14/223
D629,395 S *	12/2010	Lee	D14/223	D775,108 S *	12/2016	Hsieh	D14/223
D637,181 S *	5/2011	Fuller	D14/223	D784,962 S *	4/2017	Yang	D14/223
7,949,127 B2	5/2011	Pedersen et al.		D813,849 S *	3/2018	Andreen	D14/223
D643,416 S *	8/2011	Chong	D14/223	D828,823 S *	9/2018	Lin	D14/223
D644,212 S	8/2011	Quek		D828,825 S *	9/2018	Samrelius	D14/223
D644,213 S	8/2011	Quek		D831,619 S *	10/2018	Matoba	D14/223
D645,458 S	9/2011	Silvestri et al.		D832,824 S *	11/2018	Kim	D14/223
D655,693 S	3/2012	Silvestri et al.		D835,077 S *	12/2018	Aoyagi	D14/223
D659,117 S	5/2012	Krauss et al.		D840,372 S *	2/2019	Carr	D14/205
D660,290 S *	5/2012	Weedon	D14/223	D863,261 S *	10/2019	Zhu	D14/223
8,249,287 B2	8/2012	Silvestri et al.		D864,919 S *	10/2019	Bonahoom	D14/223
D666,996 S *	9/2012	Hardi	D14/223	2006/0093132 A1	5/2006	Desormiere et al.	
D670,275 S	11/2012	Tompkin et al.		2011/0142276 A1 *	6/2011	Uchida	H04R 1/1075 381/370
8,311,253 B2	11/2012	Silvestri et al.		2012/0039501 A1 *	2/2012	Silvestri	H04R 1/105 381/380
D672,044 S	12/2012	Larsen		2013/0170692 A1 *	7/2013	Kaneko	H04R 1/1016 381/380
8,391,536 B2 *	3/2013	Hashimoto	H04R 1/1016 381/370	2014/0064548 A1 *	3/2014	Chu	H04R 1/1091 381/380
D684,952 S	6/2013	Iijima		2014/0205125 A1 *	7/2014	Triato	H04R 1/105 381/330
8,515,115 B2	8/2013	Kelly et al.					
D695,718 S	12/2013	Burgett et al.					
8,611,969 B2	12/2013	Smith et al.					

* cited by examiner

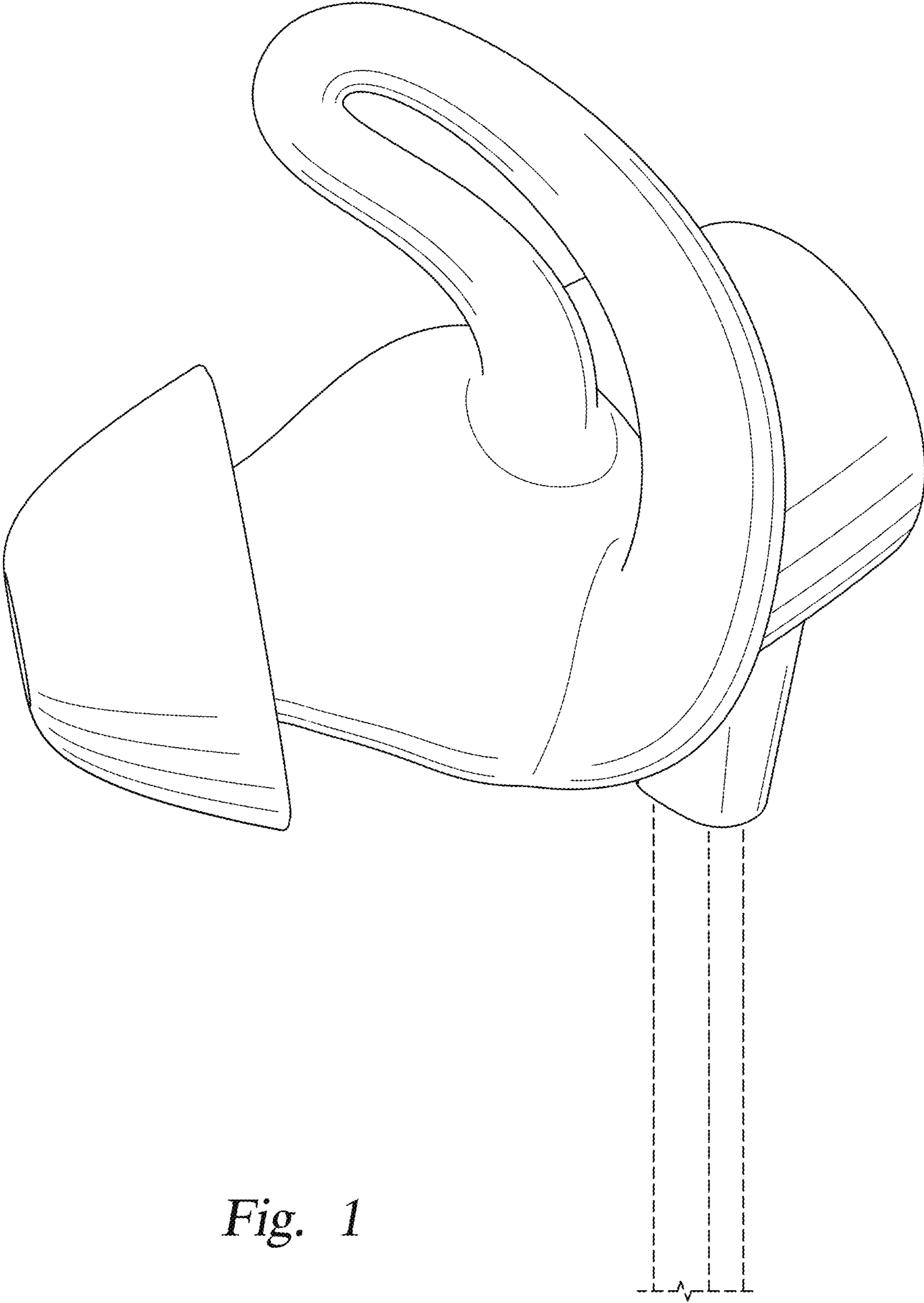


Fig. 1

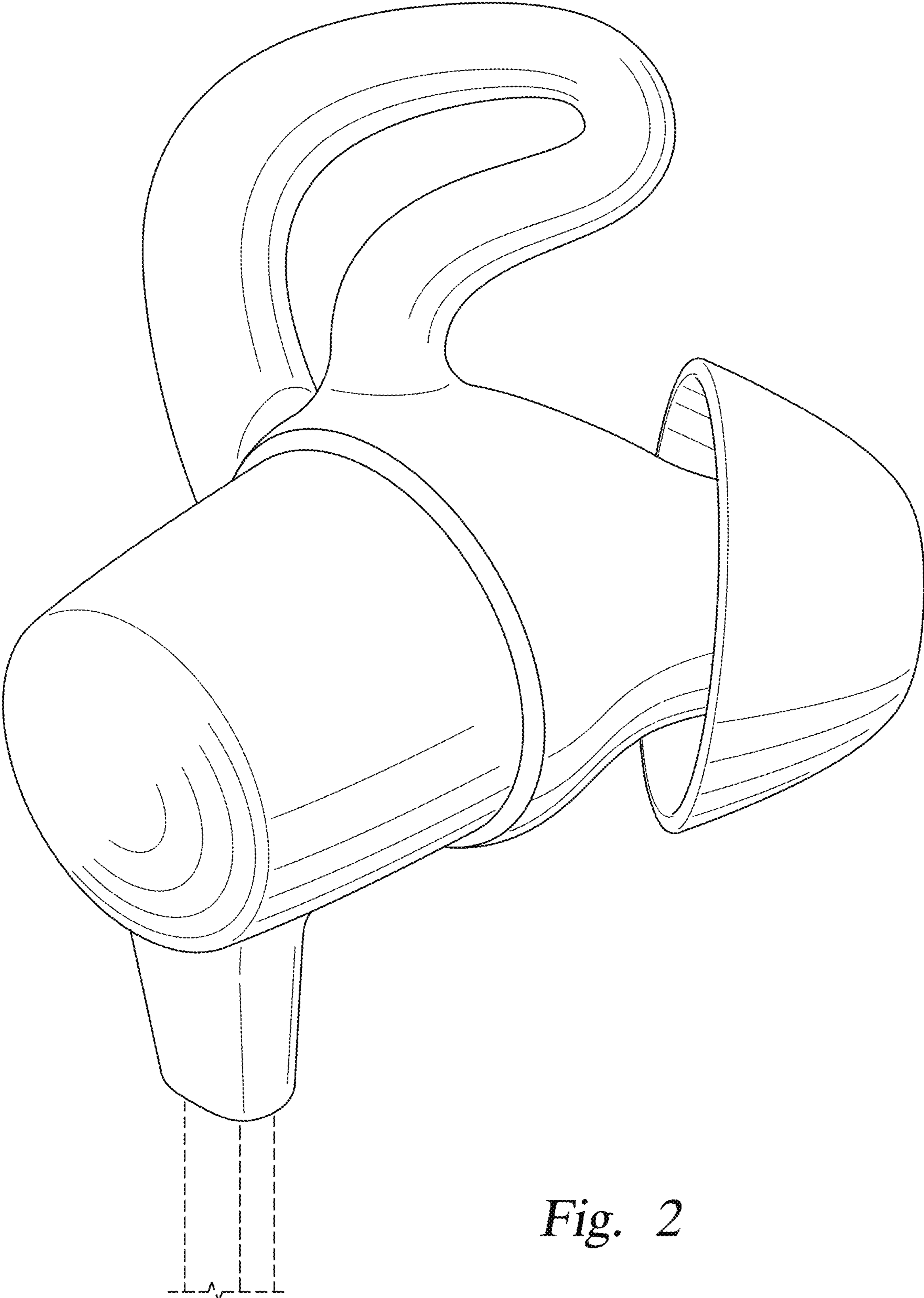


Fig. 2

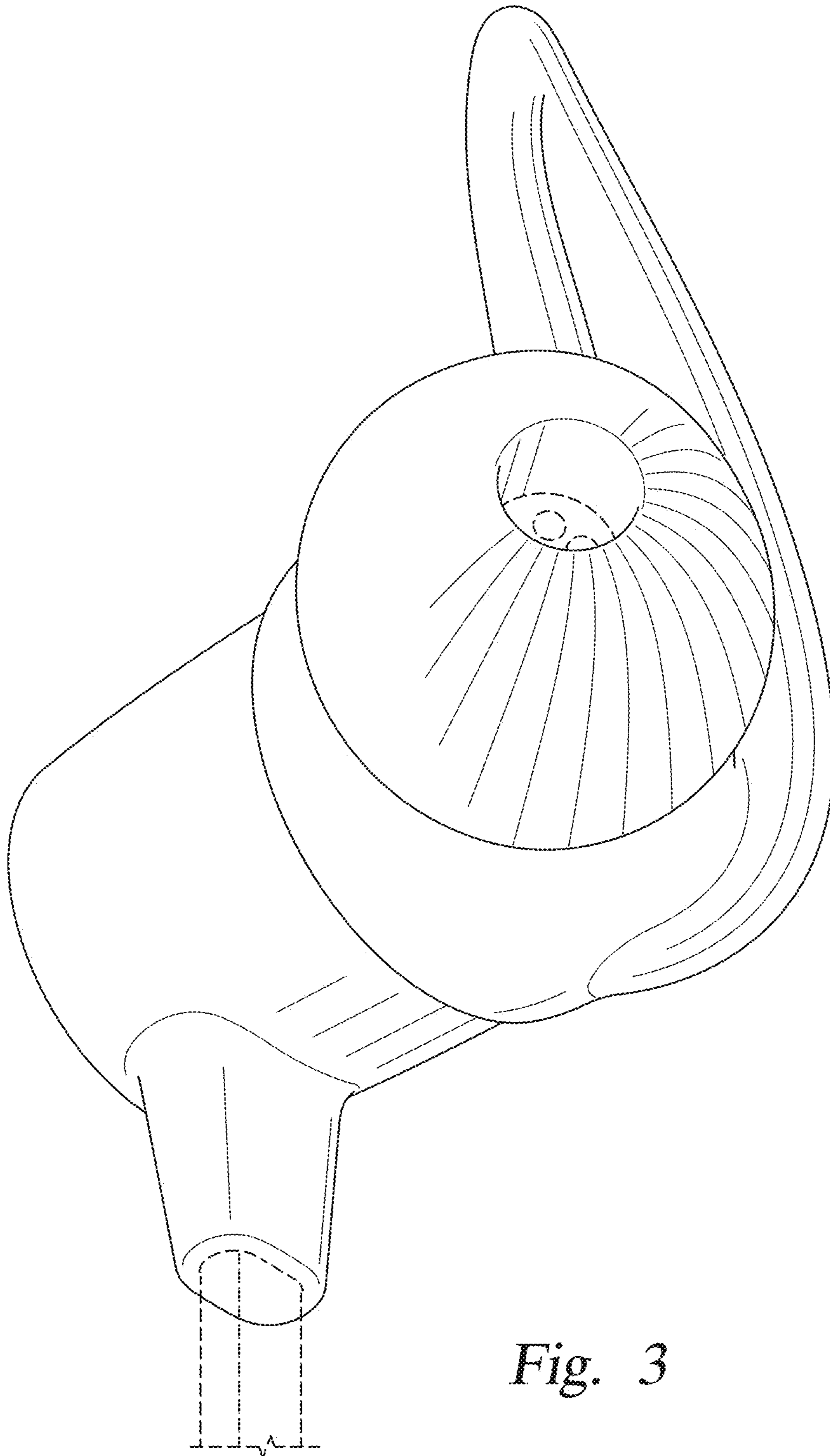


Fig. 3

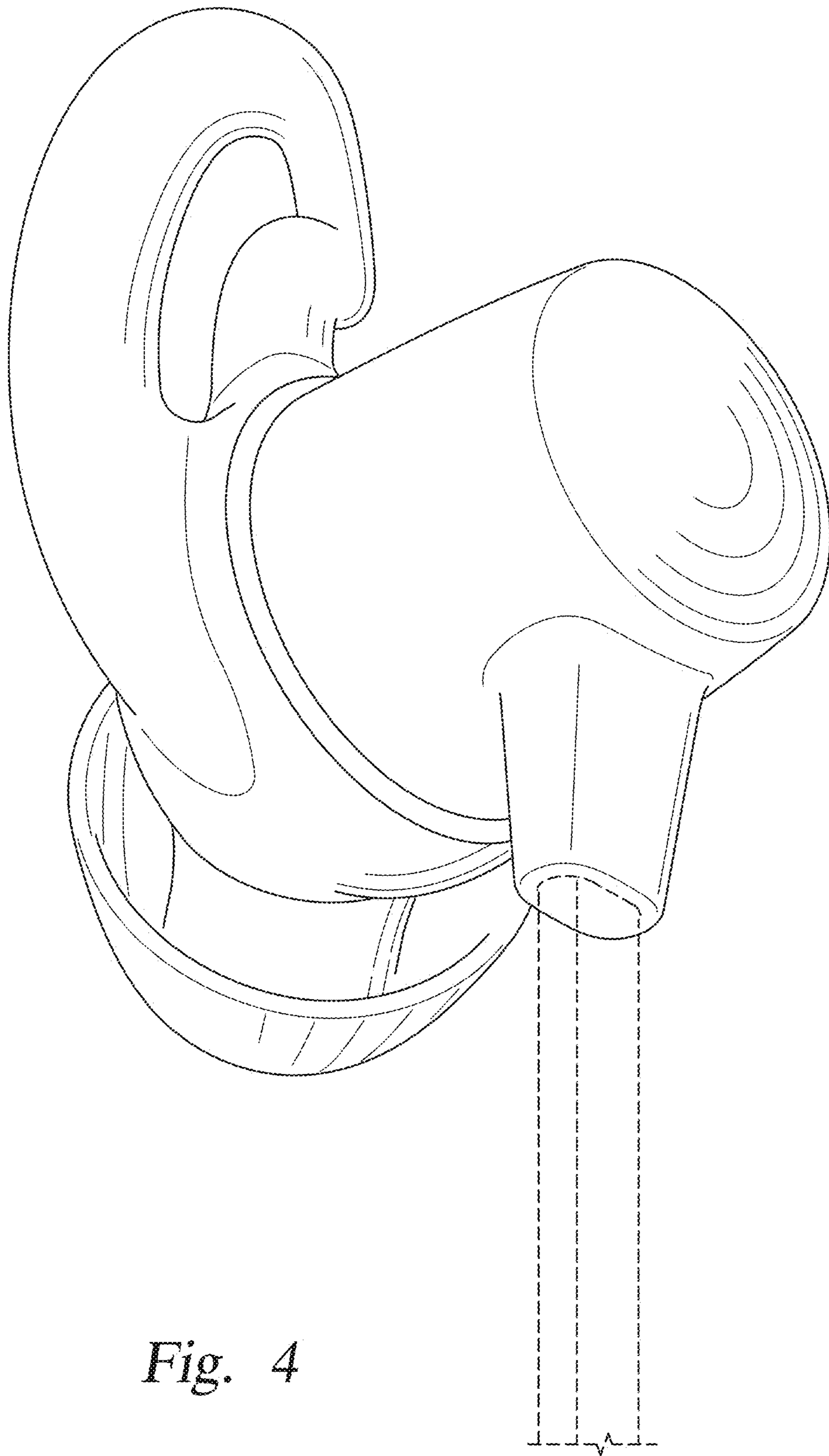


Fig. 4

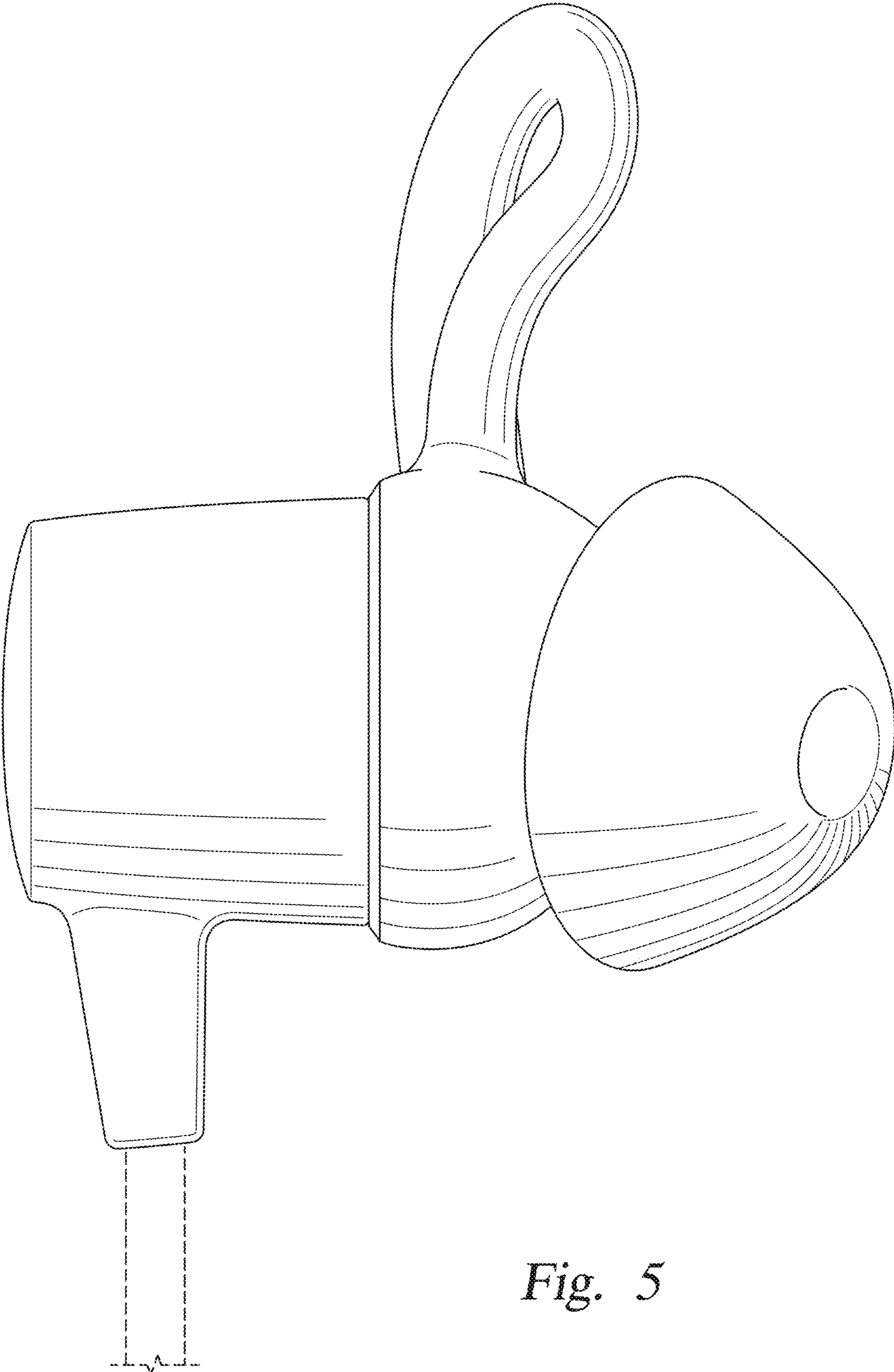


Fig. 5

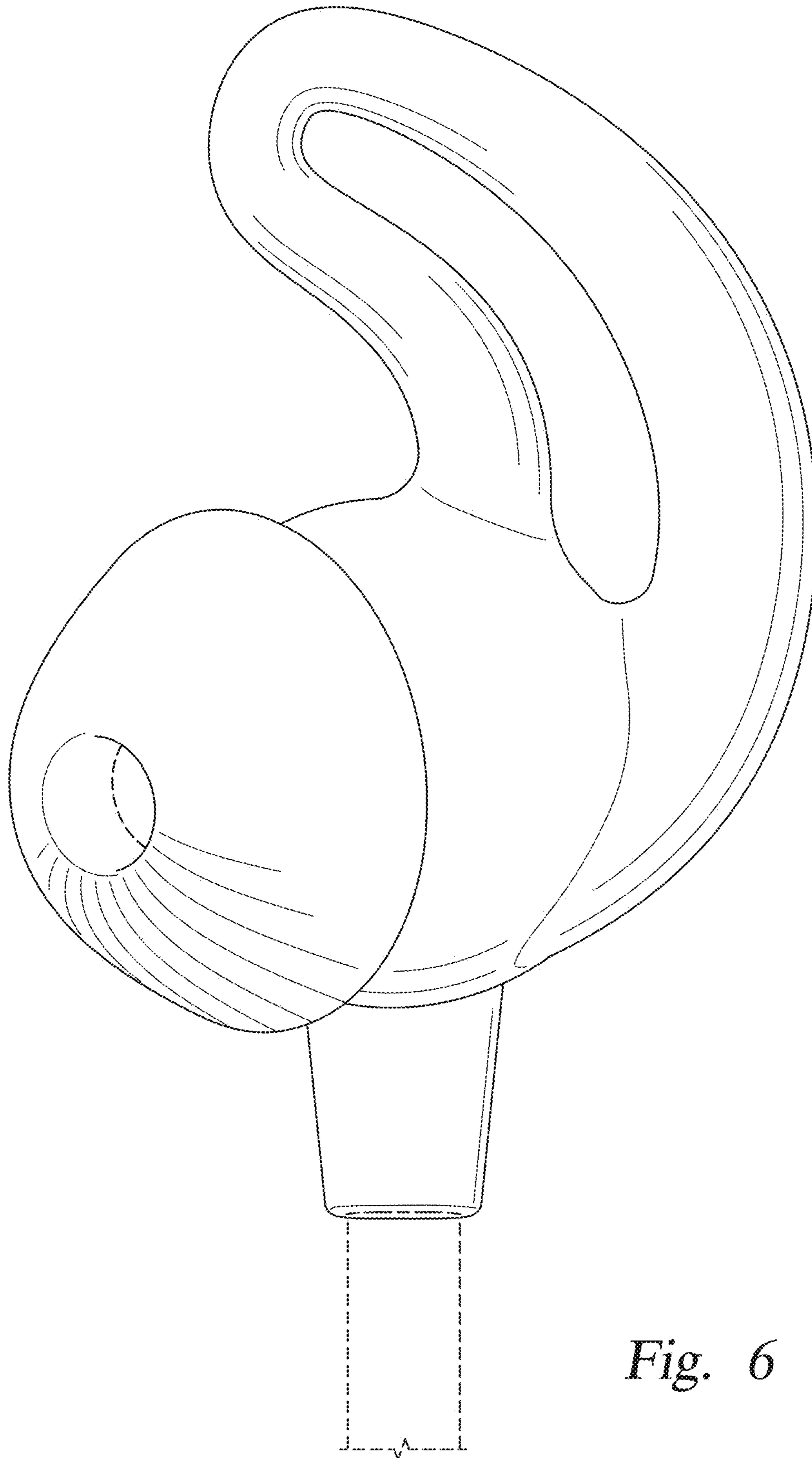


Fig. 6

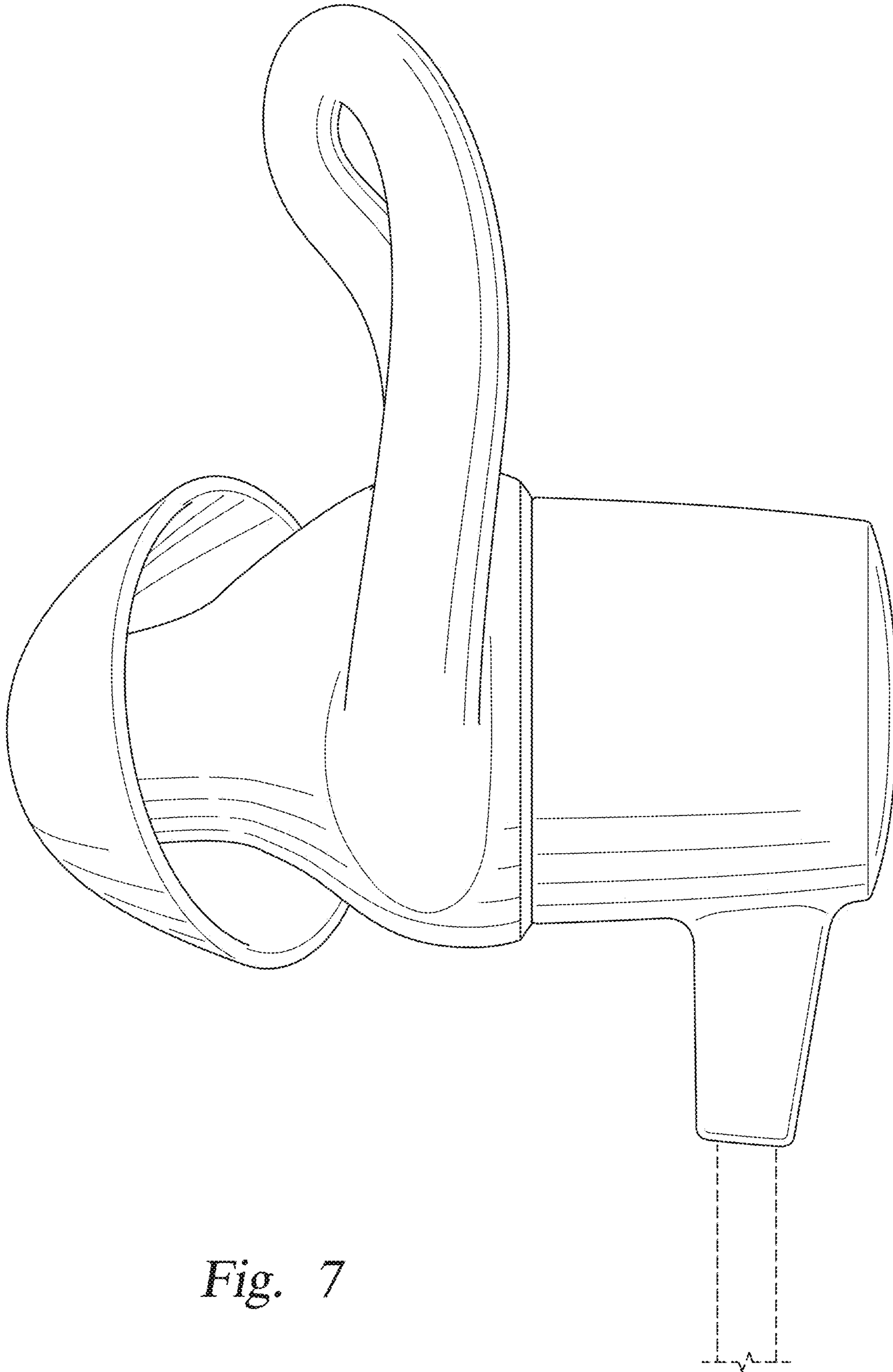


Fig. 7

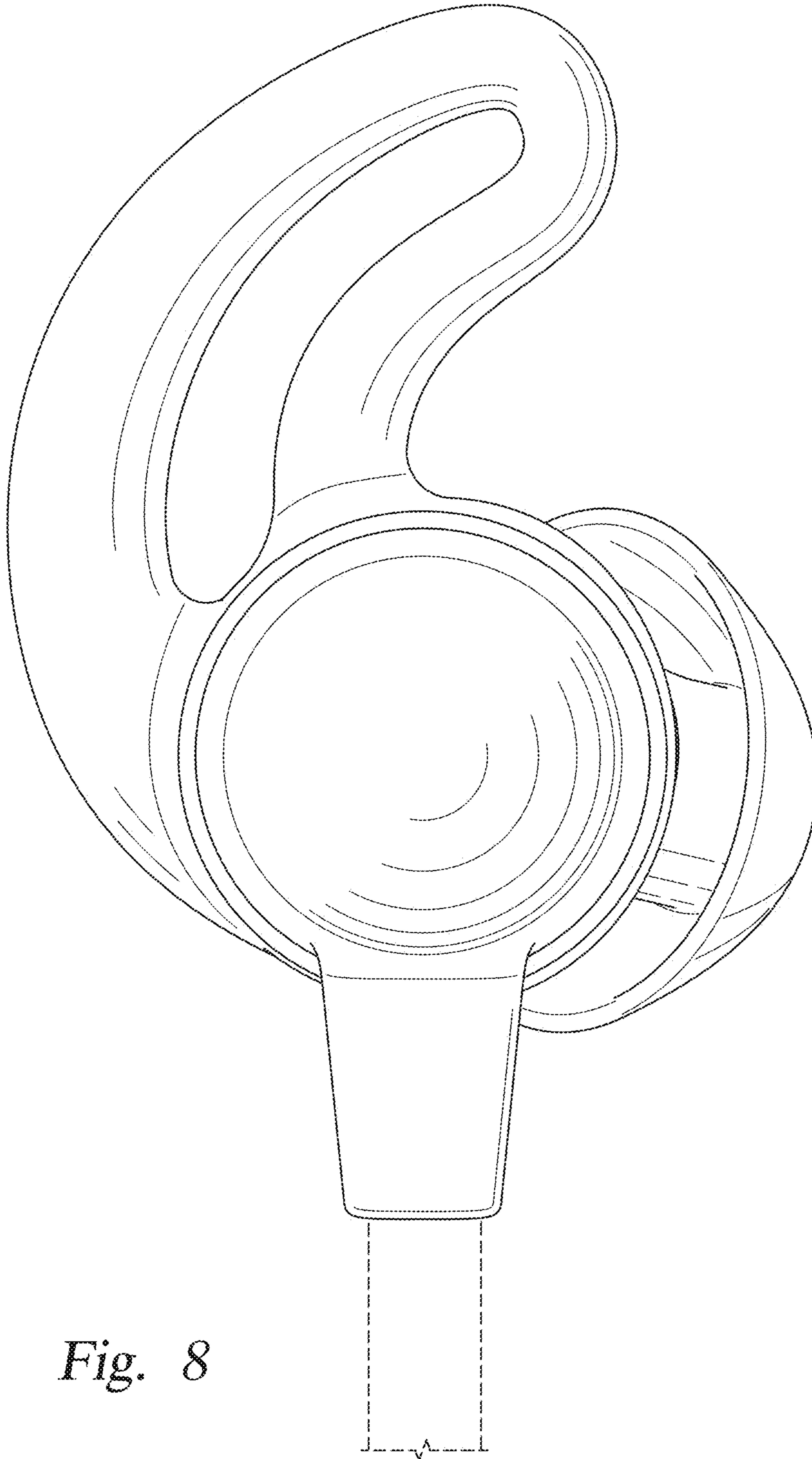


Fig. 8

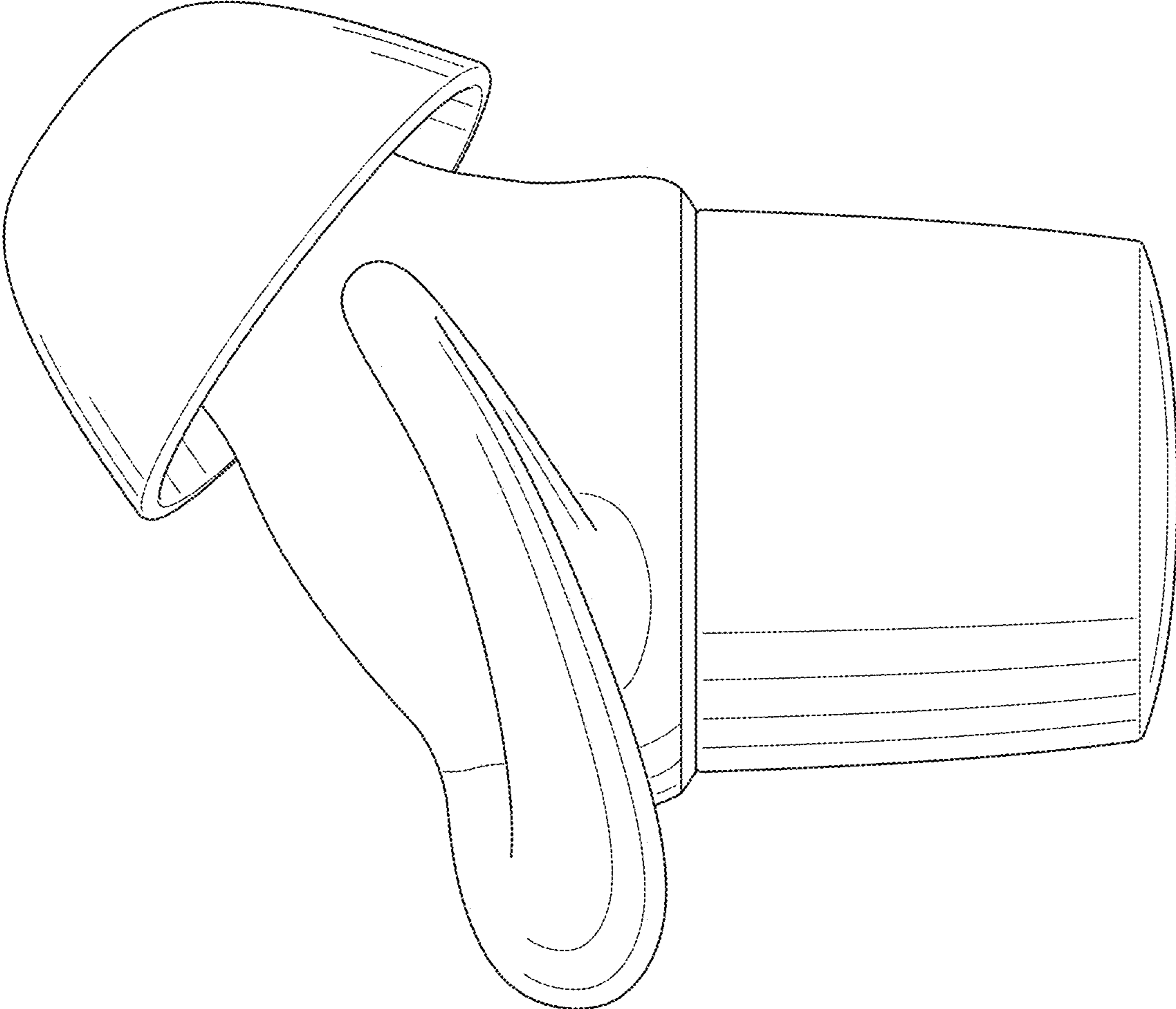


Fig. 9

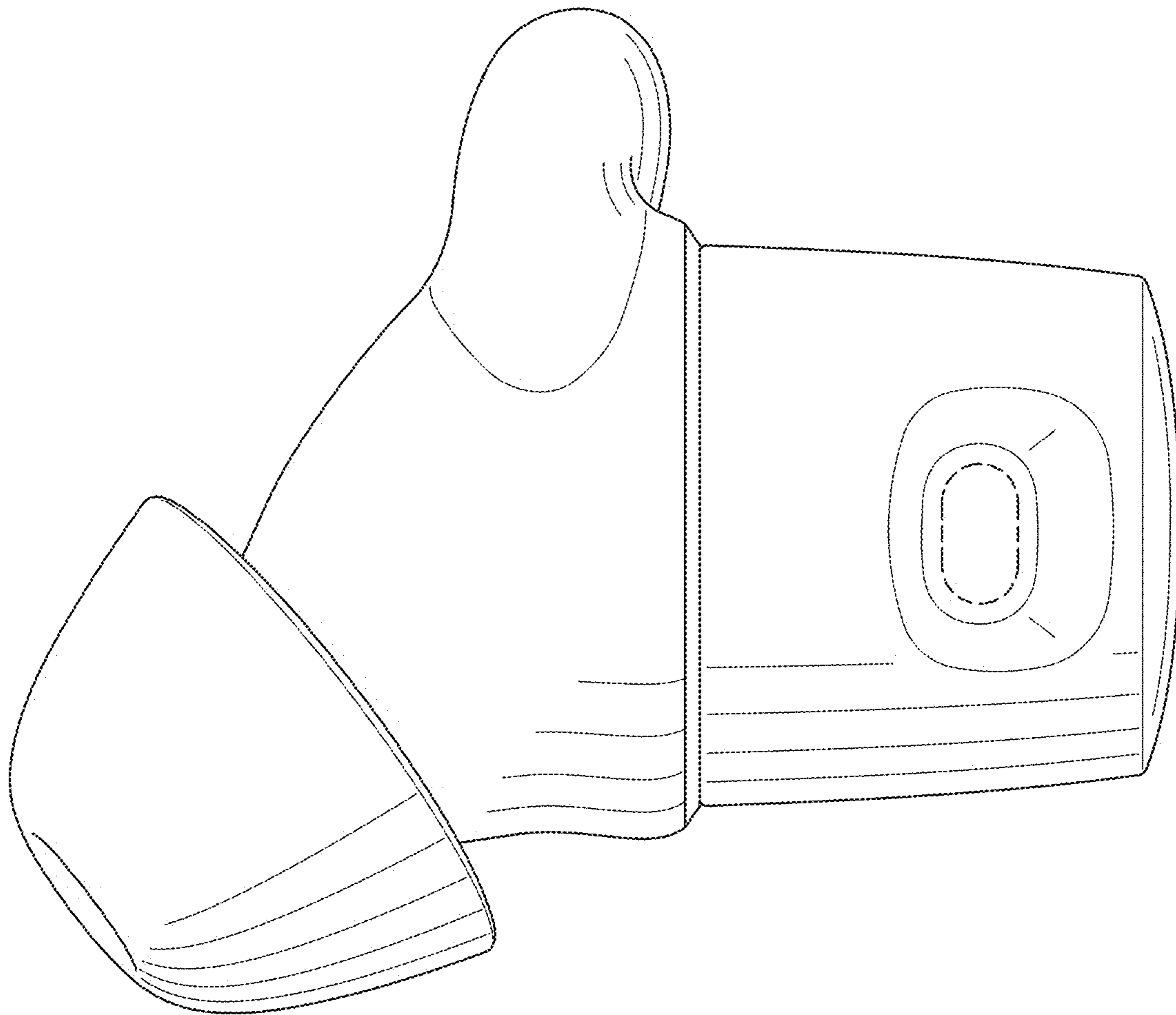


Fig. 10