



US00D876396S

(12) **United States Design Patent** (10) **Patent No.:** **US D876,396 S**
Sabilla (45) **Date of Patent:** **** Feb. 25, 2020**

(54) **COMMUNICATION INTERFACE PROTECTIVE COVER**

(71) Applicant: **CareFusion 303, Inc.**, San Diego, CA (US)

(72) Inventor: **Jefferson Sabilla**, San Diego, CA (US)

(73) Assignee: **CareFusion 303, Inc.**, San Diego, CA (US)

(**) Term: **15 Years**

(21) Appl. No.: **29/644,569**

(22) Filed: **Apr. 18, 2018**

(51) **LOC (12) Cl.** **14-03**

(52) **U.S. Cl.**
USPC **D14/217**

(58) **Field of Classification Search**

USPC D14/203.3–203.8, 217, 248, 250–253, D14/432, 434, 440, 450, 496; D13/102, D13/103, 104, 105, 106, 107, 108, 109, D13/11, 118, 119, 184, 199
 CPC .. H02J 7/0068; H02J 7/025; H02J 9/06; H02J 50/12; H02J 50/20; H02J 50/80; H02J 5/005; H02J 7/0021; H02J 7/0052; H02J 7/0054; H02J 7/02; H02J 7/022; H02J 7/345; H01M 2/1022

See application file for complete search history.

(56) **References Cited**

U.S. PATENT DOCUMENTS

D411,201 S *	6/1999	Munoz	D13/184
D440,558 S *	4/2001	Fishman	D14/217
D456,796 S *	5/2002	Silver	D14/217
D535,614 S *	1/2007	Majanen	D13/108

(Continued)

Primary Examiner — Khawaja Anwar

(74) *Attorney, Agent, or Firm* — Morgan, Lewis & Bockius LLP

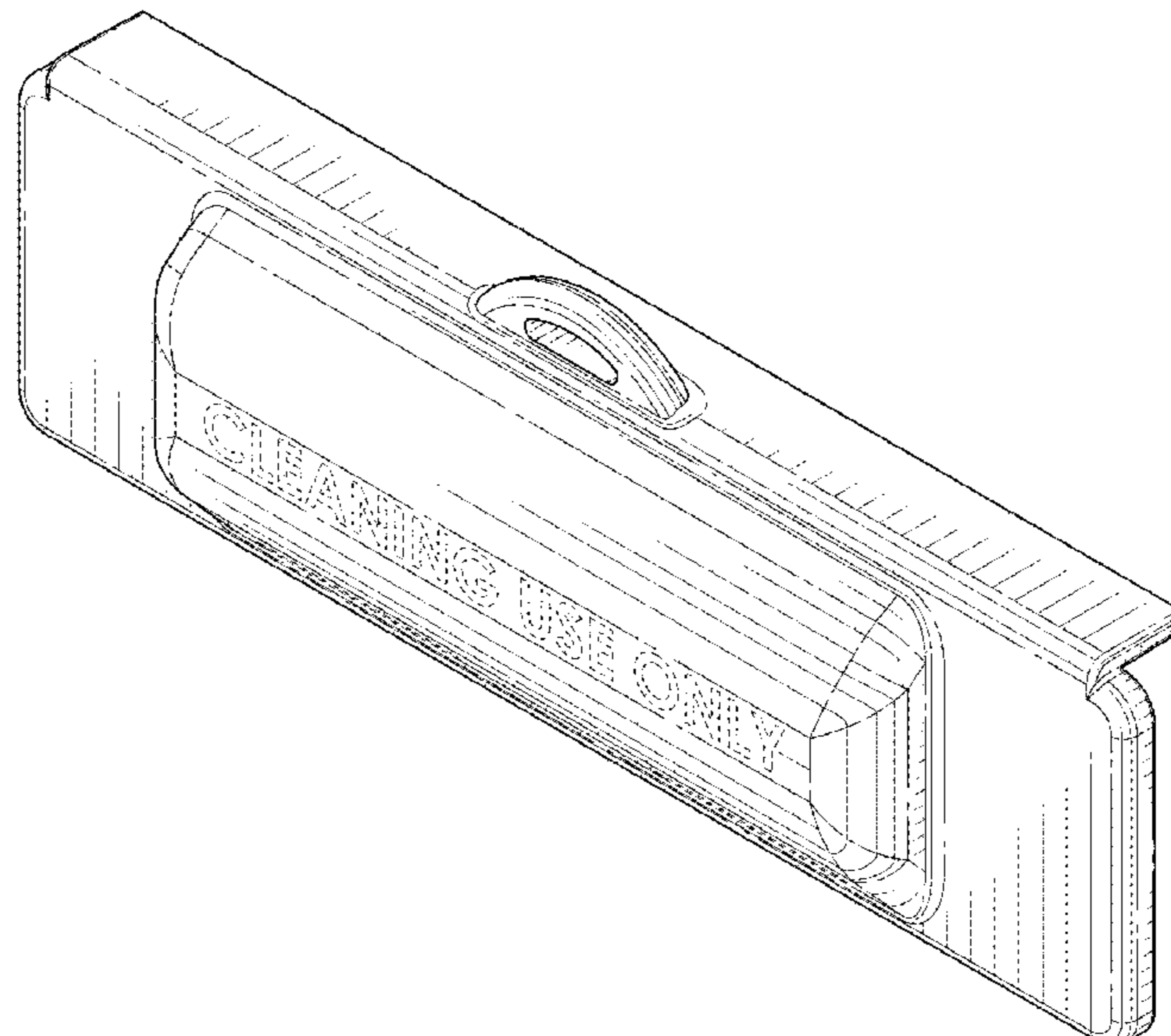
(57) **CLAIM**

The ornamental design for a communication interface protective cover, as shown and described.

DESCRIPTION

FIG. 1 is a front, top perspective view of a communication interface protective cover showing our new design; FIG. 2 is a front elevation view of the communication interface protective cover of FIG. 1; FIG. 3 is a rear elevation view of the communication interface protective cover of FIG. 1; FIG. 4 is a left side elevation view of the communication interface protective cover of FIG. 1; FIG. 5 is a right side elevation view of the communication interface protective cover of FIG. 1; FIG. 6 is a top plan view of the communication interface protective cover of FIG. 1; FIG. 7 is a bottom plan view of the communication interface protective cover of FIG. 1; FIG. 8 is a front, top perspective view an alternative embodiment of the communication interface protective cover; FIG. 9 is a front elevation view of the communication interface protective cover of FIG. 8; FIG. 10 is a rear elevation view of the communication interface protective cover of FIG. 8; FIG. 11 is a left side elevation view of the communication interface protective cover of FIG. 8; FIG. 12 is a right side elevation view of the communication interface protective cover of FIG. 8; FIG. 13 is a top plan view of the communication interface protective cover of FIG. 8; and, FIG. 14 is a bottom plan view of the communication interface protective cover of FIG. 8. The broken lines in the Figures show portions of the communication interface protective cover which form no part of the claimed design.

1 Claim, 10 Drawing Sheets



(56)

References Cited

U.S. PATENT DOCUMENTS

7,258,709	B2 *	8/2007	Ponjican	A47L 9/1427 15/347
D597,079	S *	7/2009	Andre	D14/217
D624,052	S *	9/2010	Shimizu	D14/217
D631,467	S *	1/2011	Shimizu	D14/217
D672,752	S *	12/2012	Shimizu	D14/217
D682,199	S *	5/2013	Rautiainen	D13/108
D745,514	S *	12/2015	Jung	D14/344

* cited by examiner

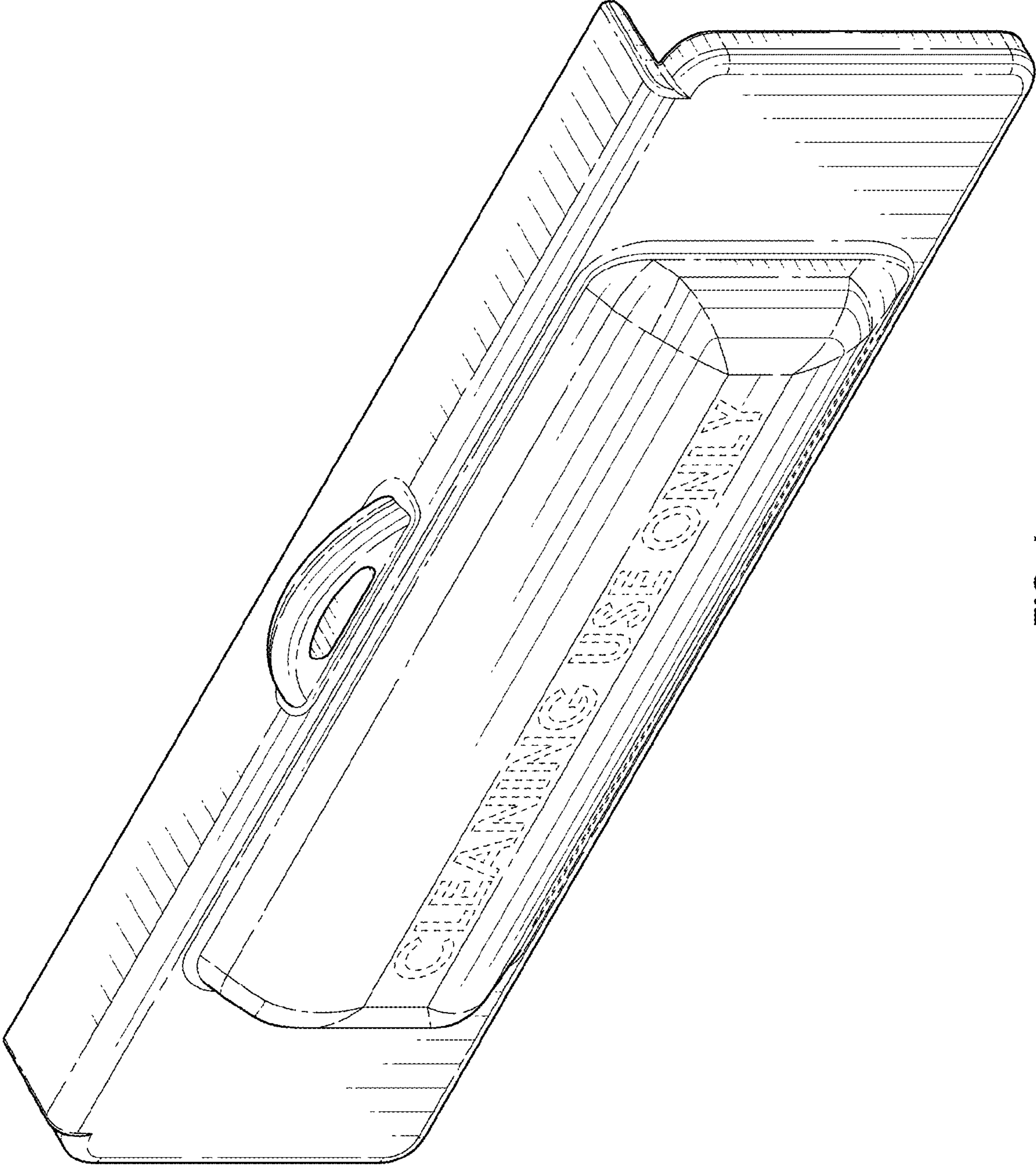


FIG. 1

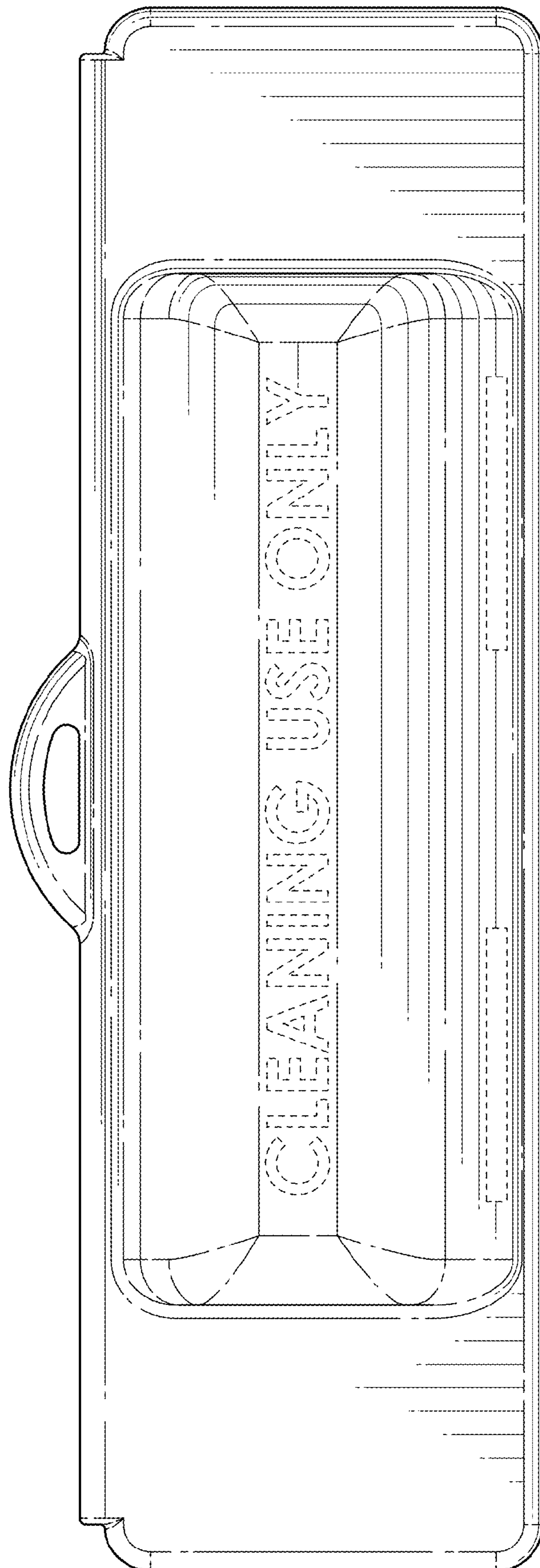


FIG. 2

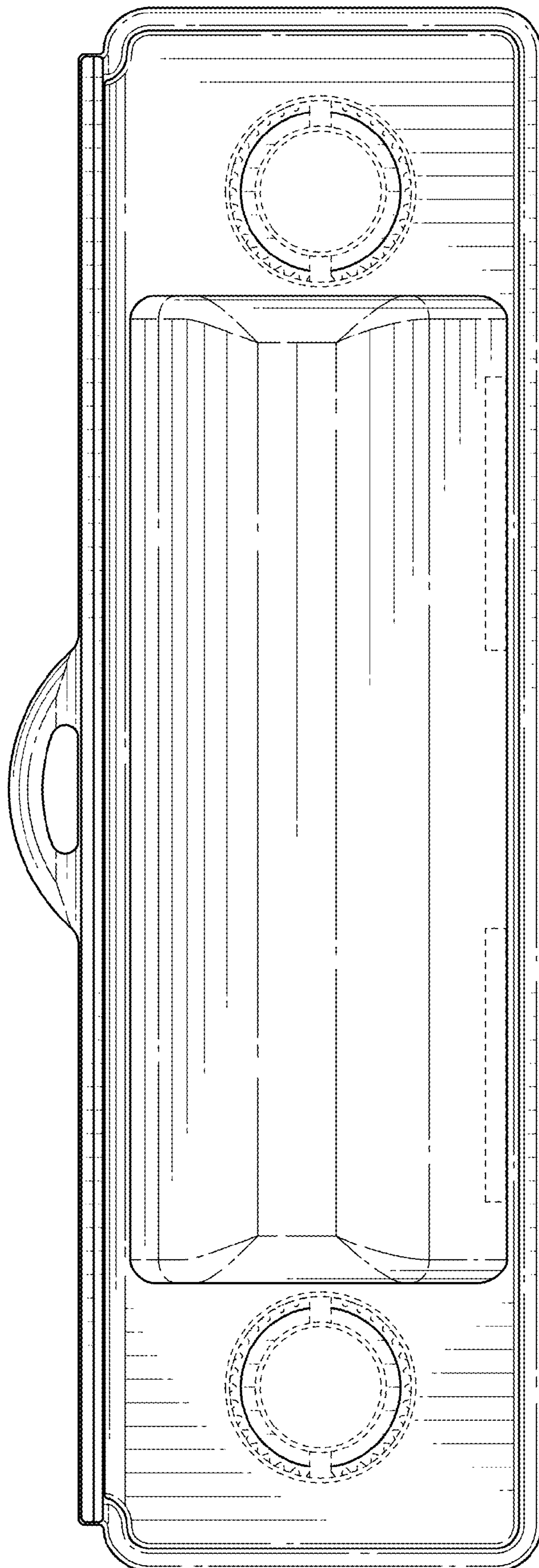


FIG. 3

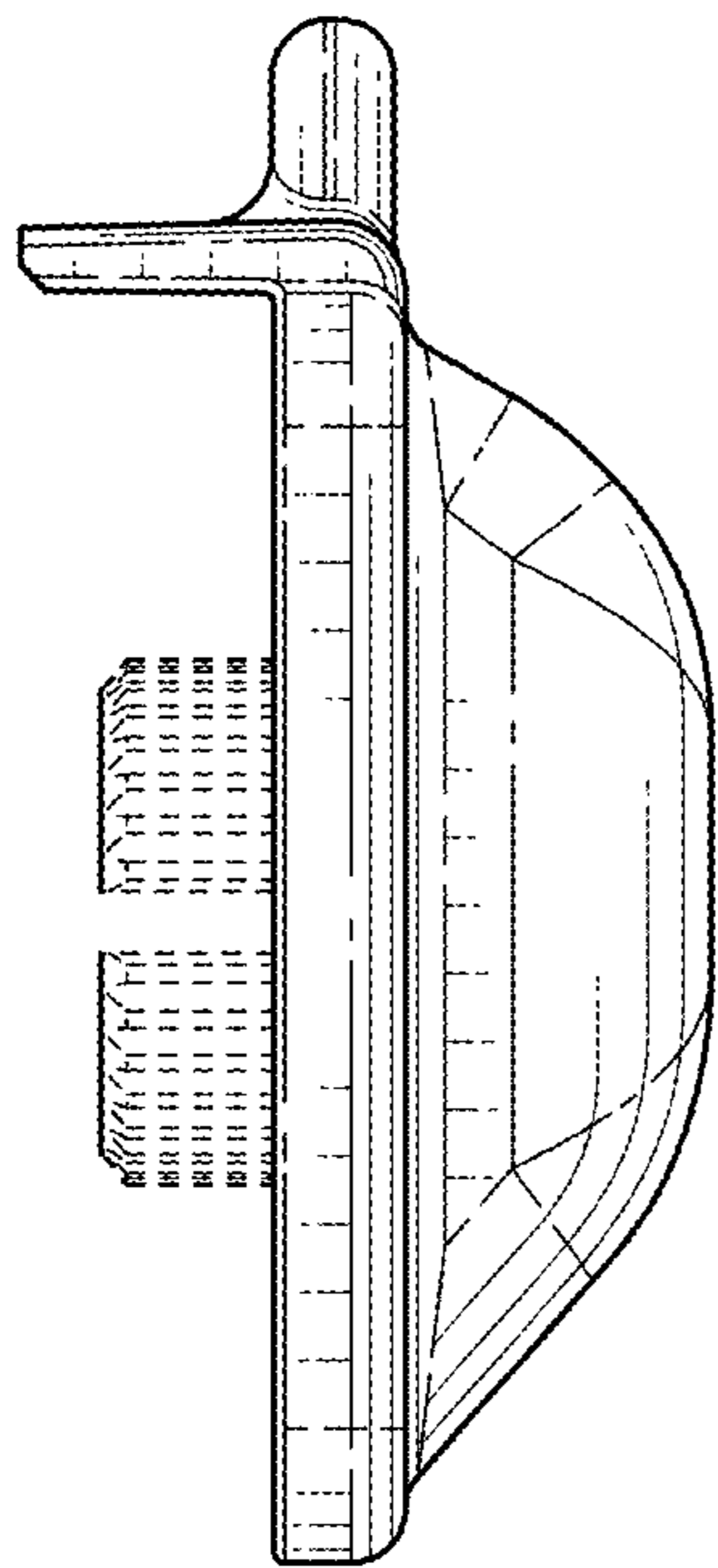


FIG. 4

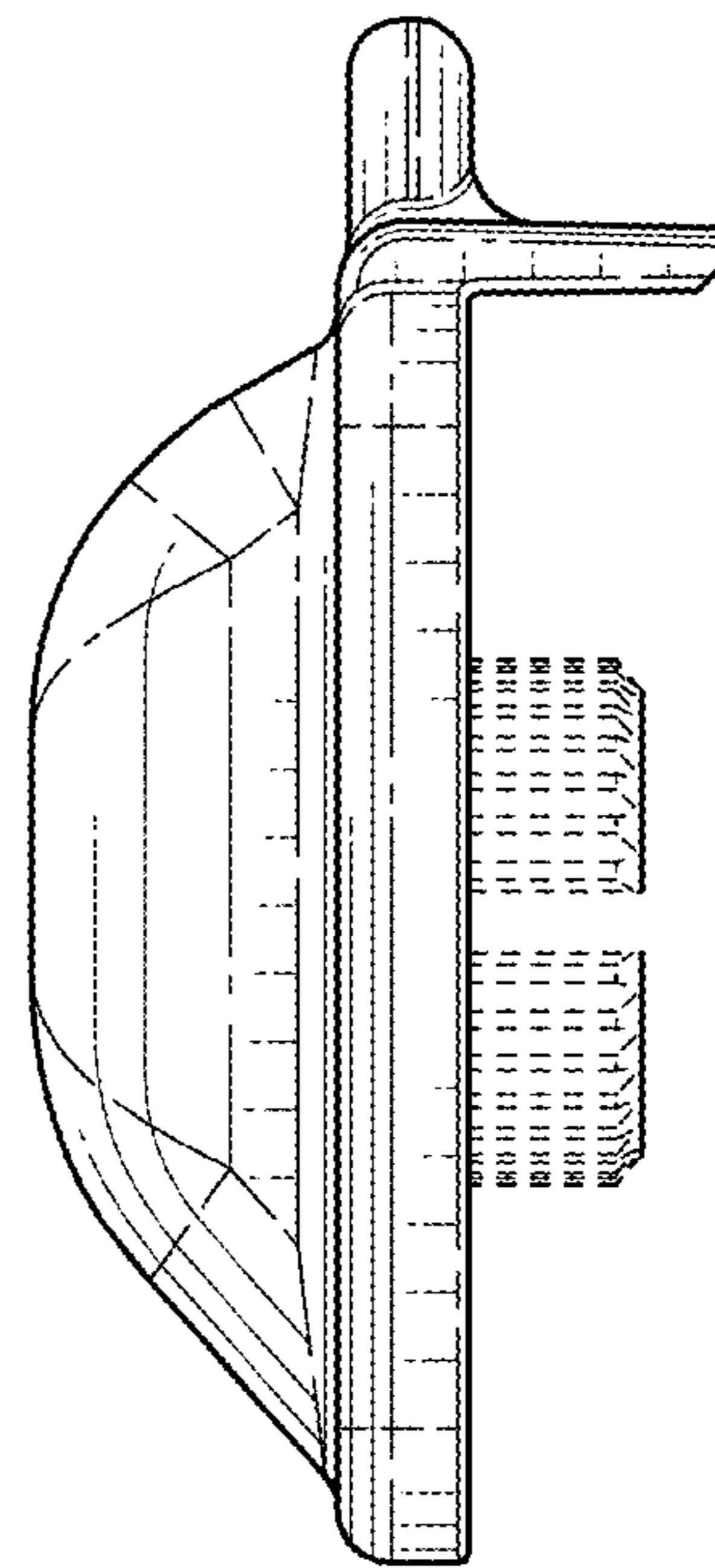


FIG. 5

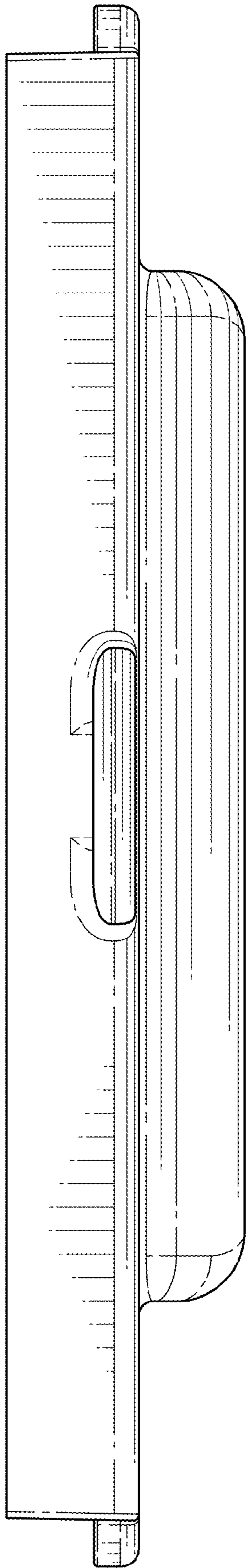


FIG. 6

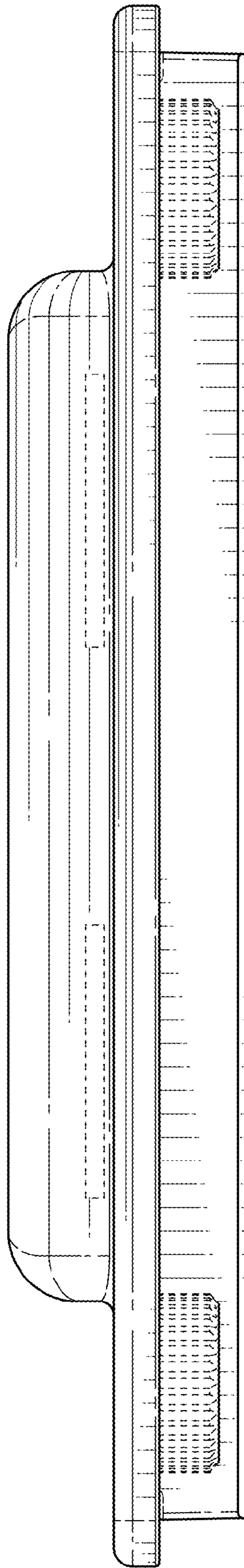


FIG. 7

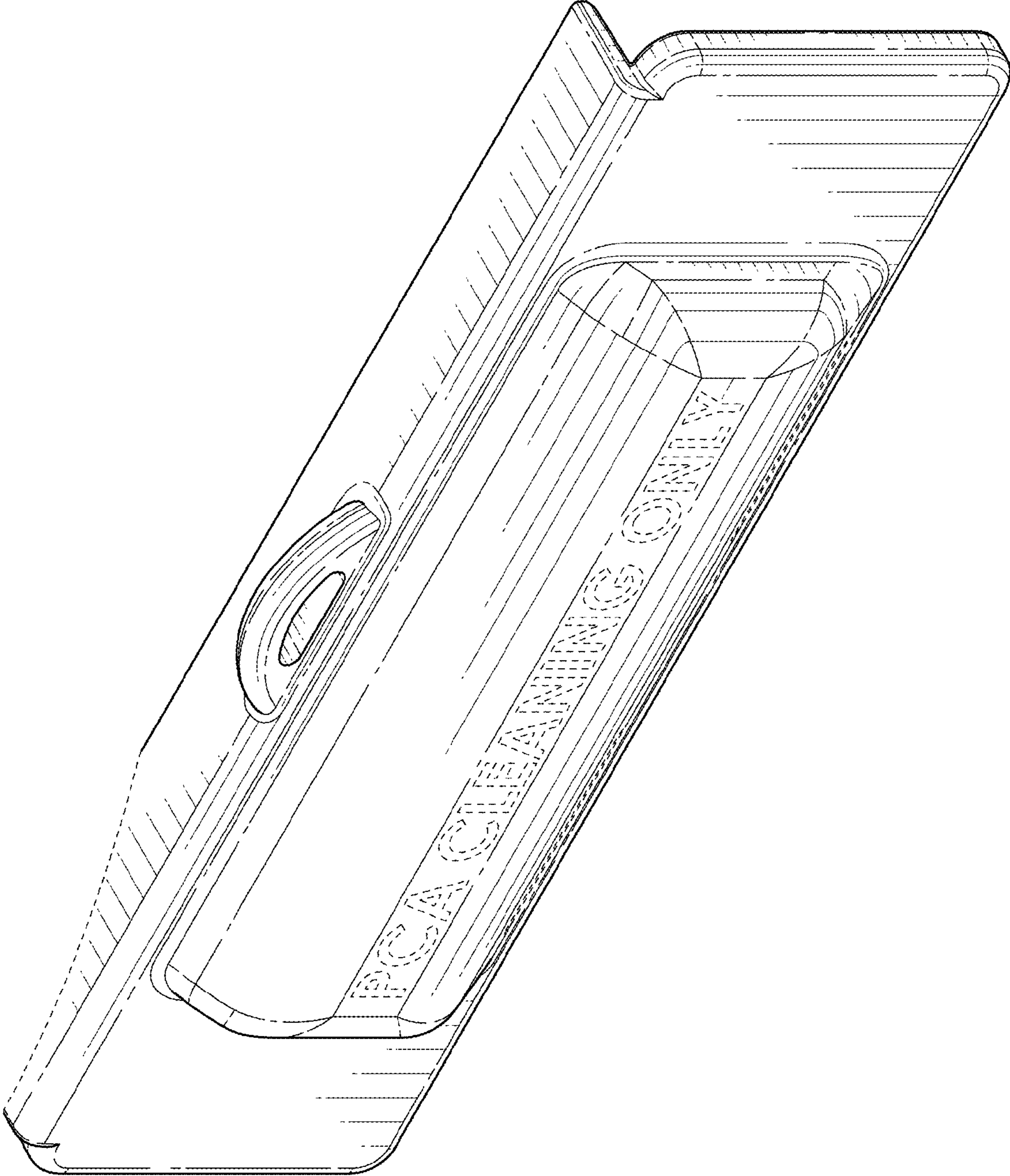


FIG. 8

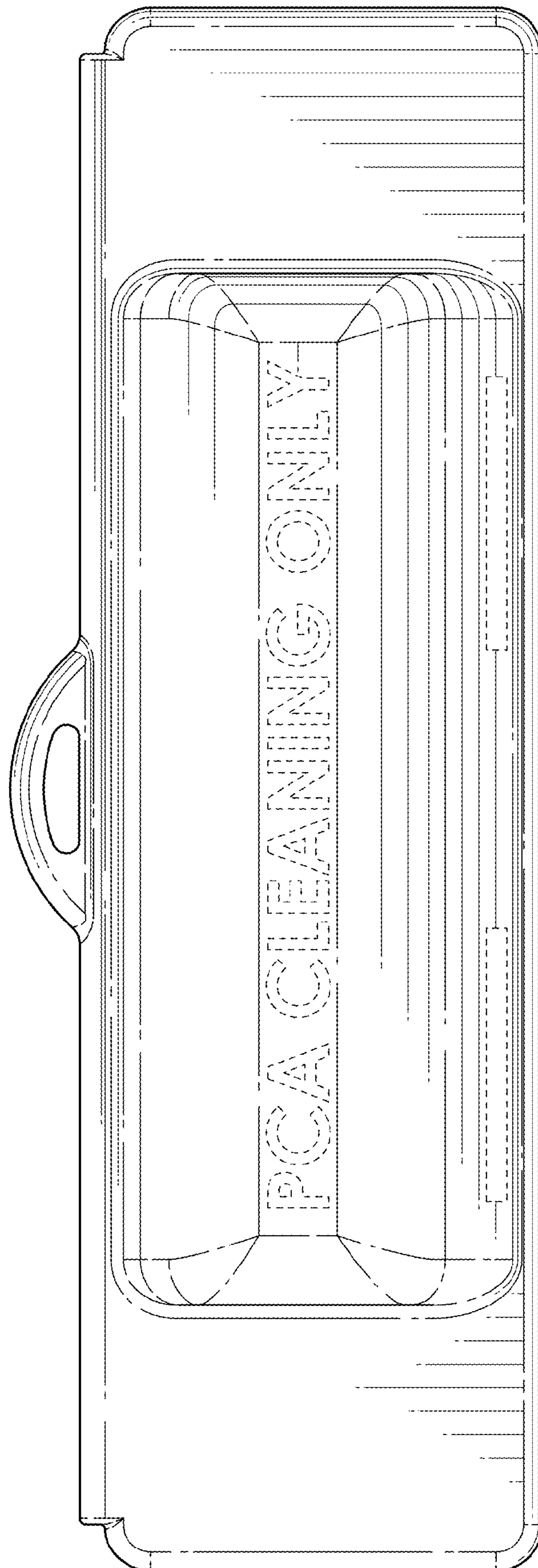


FIG. 9

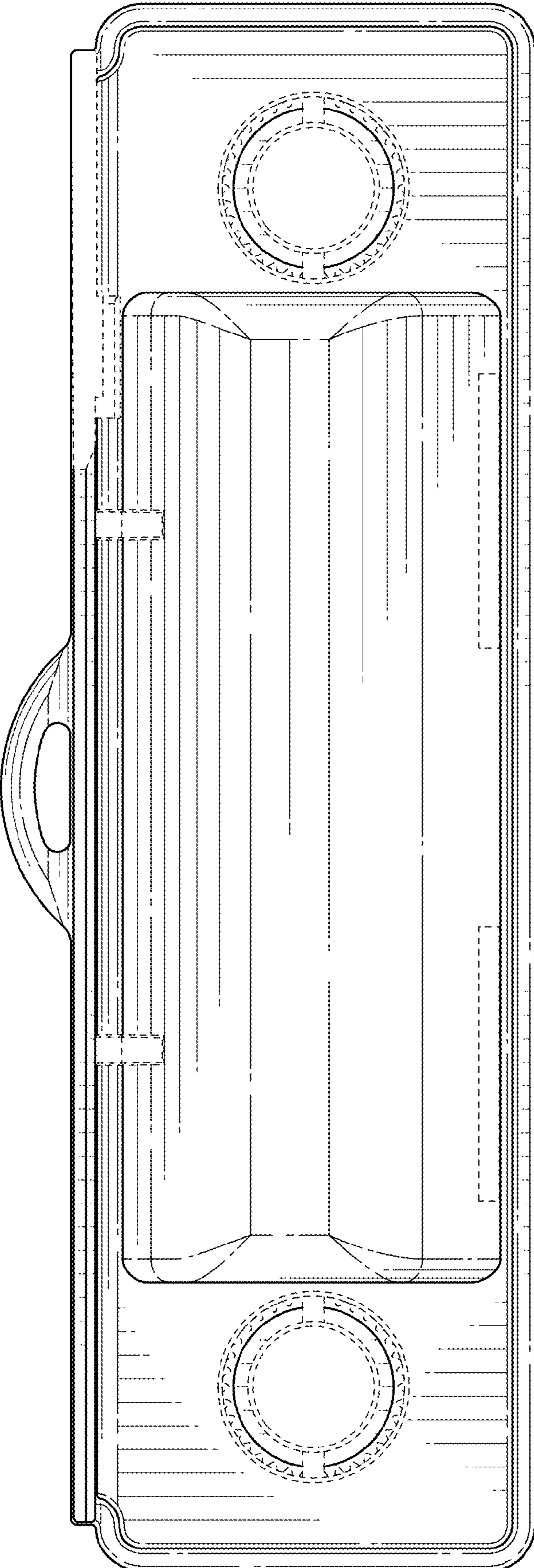


FIG. 10

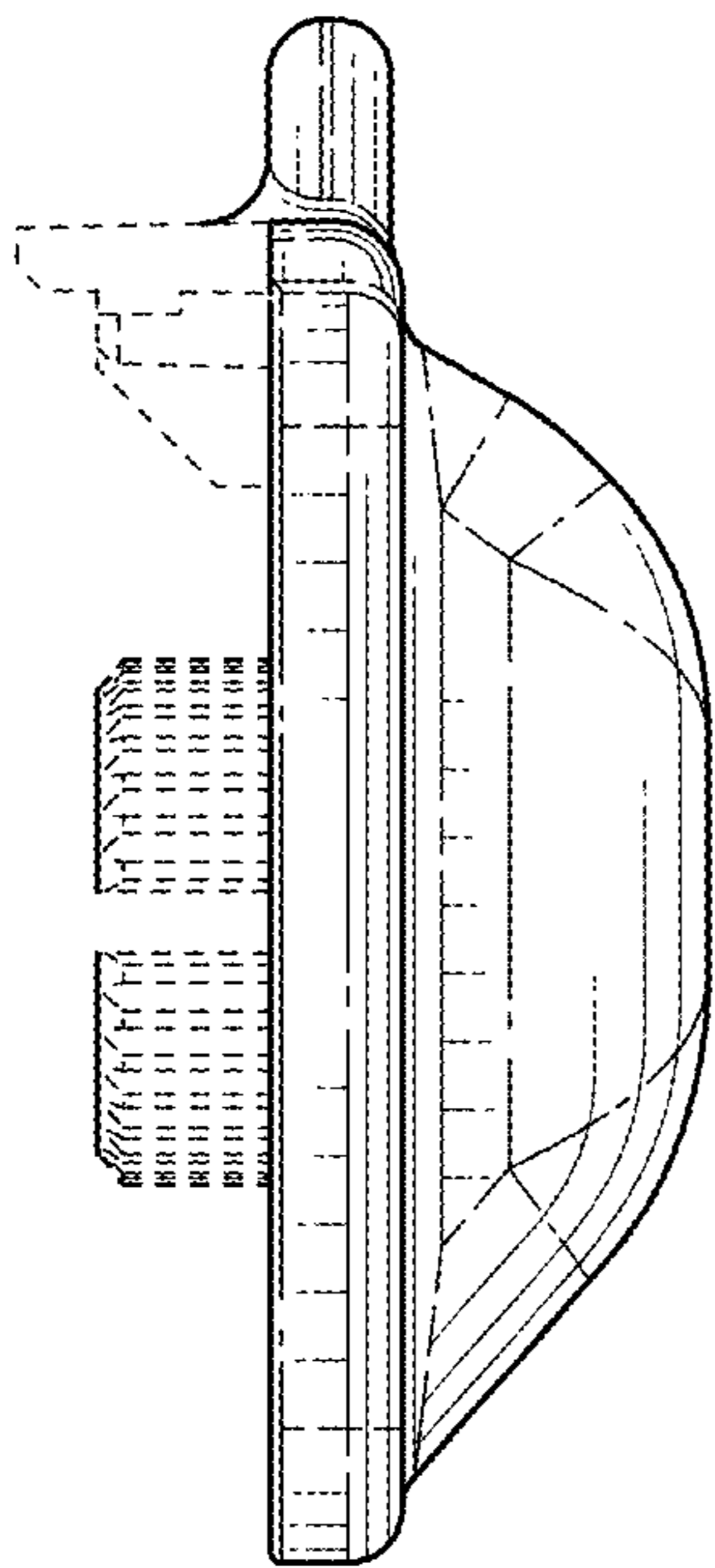


FIG. 11

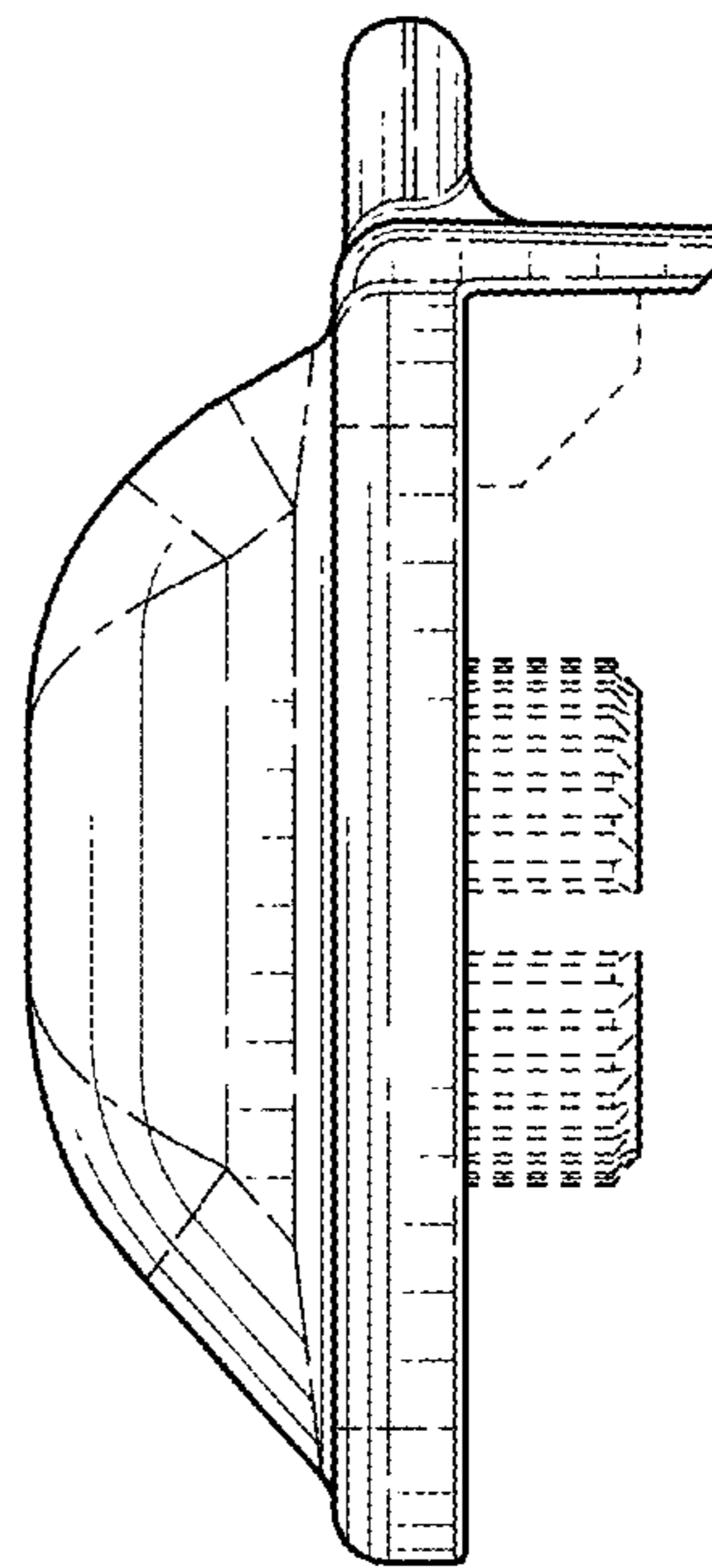


FIG. 12

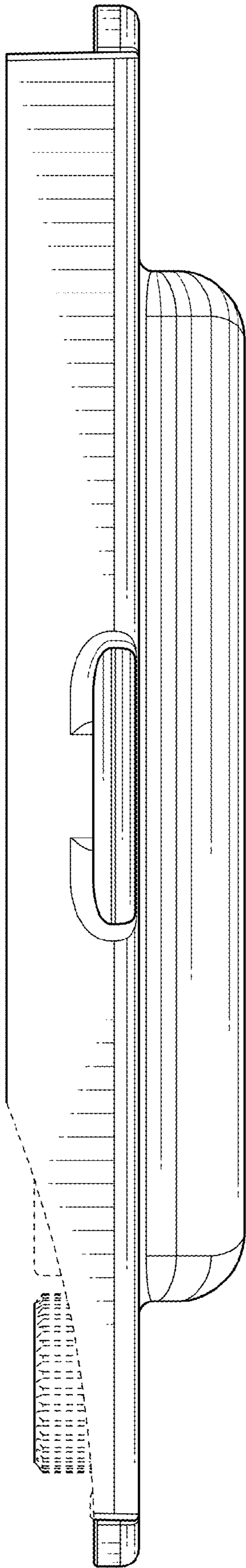


FIG. 13

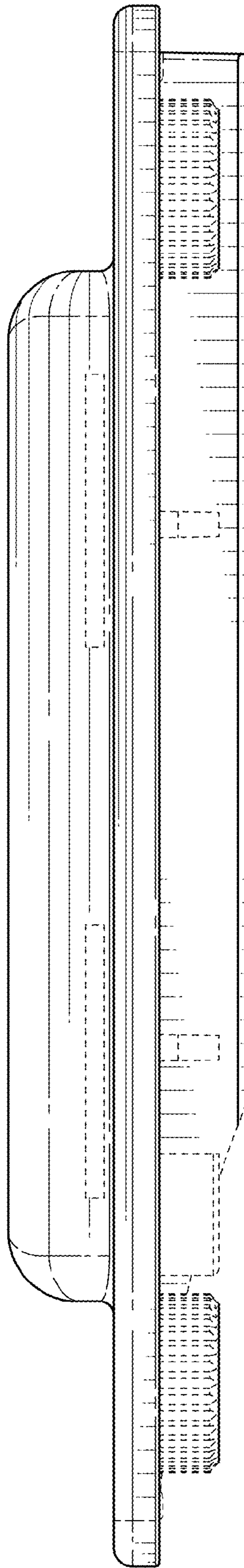


FIG. 14