



US00D876395S

(12) **United States Design Patent**  
**Kung**

(10) **Patent No.:** **US D876,395 S**

(45) **Date of Patent:** **\*\* Feb. 25, 2020**

(54) **COMBINED SPEAKER AND AMPLIFIER**

(71) Applicant: **Chiayo Electronics Co., Ltd.**, Chiayi (TW)

(72) Inventor: **Te-Wei Kung**, Chiayi (TW)

(73) Assignee: **Chiayo Electronics Co., Ltd.**, Chiayi (TW)

(\*\*) Term: **15 Years**

(21) Appl. No.: **29/631,377**

(22) Filed: **Dec. 29, 2017**

(51) **LOC (12) Cl.** ..... **14-01**

(52) **U.S. Cl.**  
USPC ..... **D14/214; D14/188; D14/168**

(58) **Field of Classification Search**  
USPC ..... D14/162, 167-172, 175, 179, 188, D14/194-198, 217, 257, 265, 299, 496, D14/204, 209.1, 210-216, 219, 221, 222, D14/224, 239  
CPC ..... B60R 11/0217; G06F 1/1688; G10K 9/22; G10K 11/004; H03F 1/327; H04M 1/03; H04M 1/035; H04N 5/642; H04N 21/4852; H04R 1/02; H04R 1/06; H04R 1/021; H04R 1/025; H04R 1/026; H04R 1/028; H04R 1/105; H04R 1/323; H04R 1/403; H04R 1/2803; H04R 1/2834; H04R 5/02; H04R 7/20; H04R 9/06; H04R 9/025; H04R 2201/021; H04R 2400/00; H04R 2400/07; H04R 2499/11; H04R 2400/13; H04R 2400/15; H04S 3/00; H04S 7/30

See application file for complete search history.

(56) **References Cited**

U.S. PATENT DOCUMENTS

D419,559 S *	1/2000	Hsu	.....	D14/214
D599,324 S *	9/2009	Shen	.....	D14/196
D736,742 S *	8/2015	Warden	.....	D14/214
D741,795 S *	10/2015	Conrad	.....	D13/108
2017/0325010 A1 *	11/2017	Kung	.....	H04R 1/02

\* cited by examiner

*Primary Examiner* — Keli L Hill

(74) *Attorney, Agent, or Firm* — Alan D. Kamrath; Mayer & Williams PC

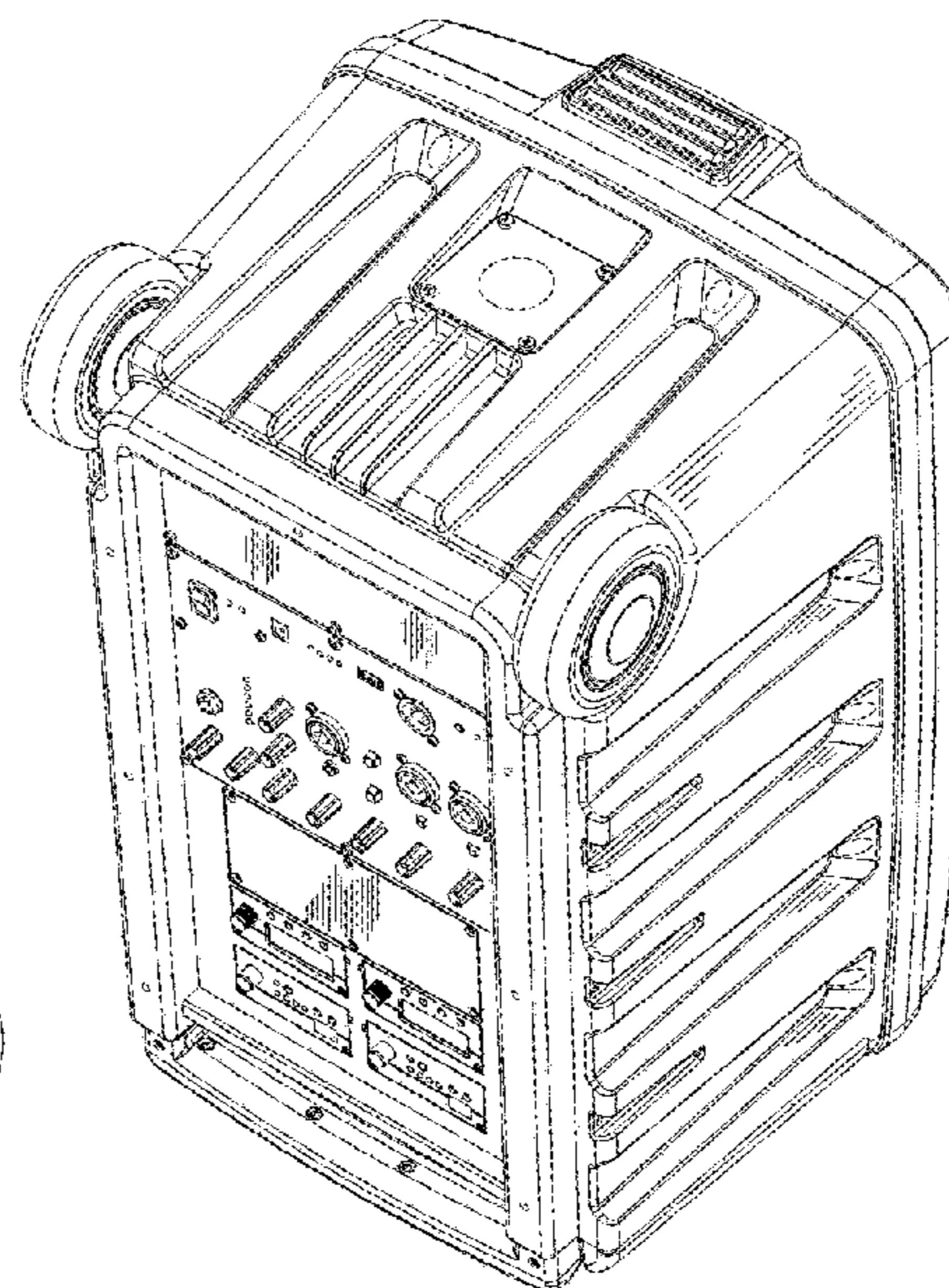
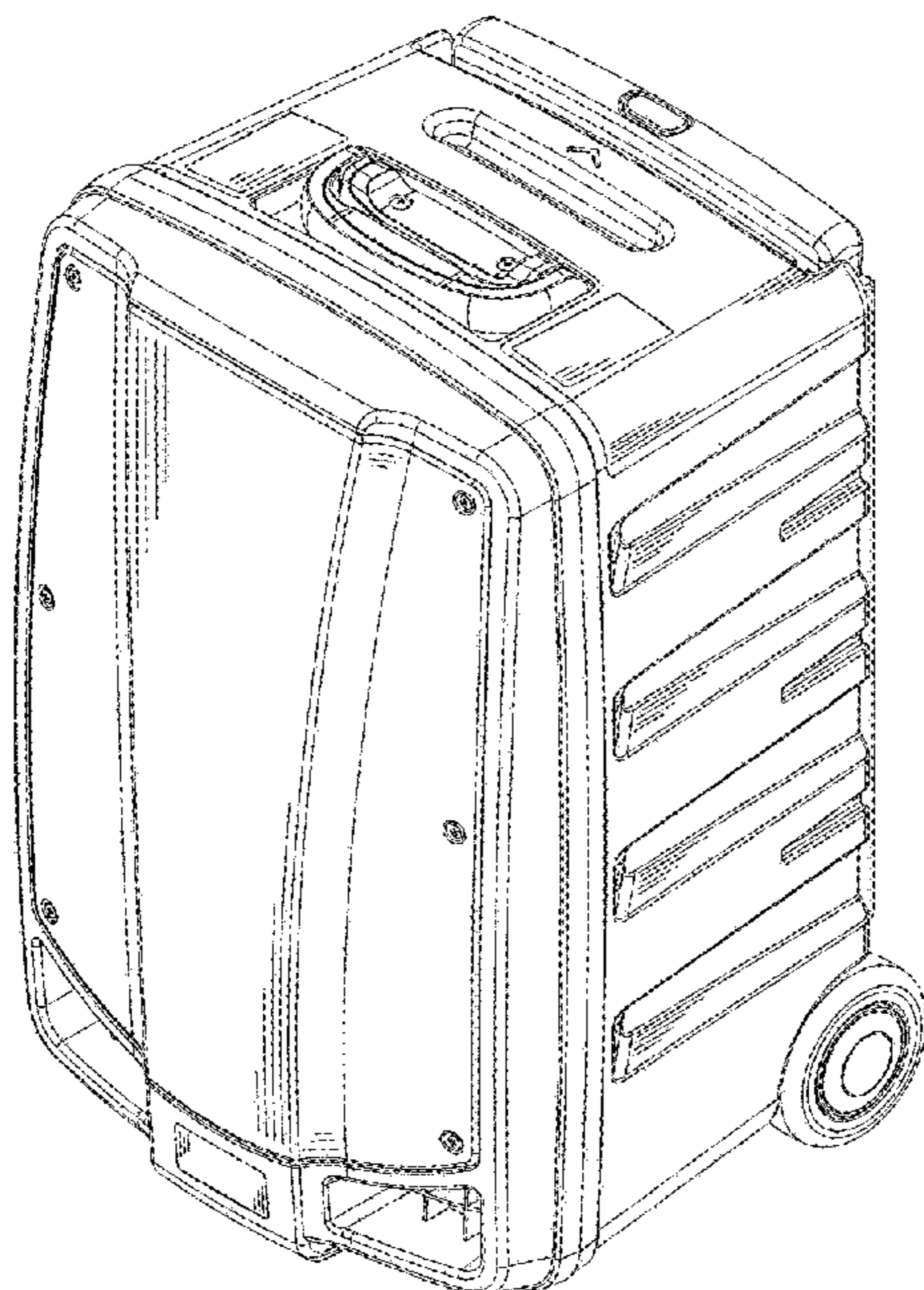
(57) **CLAIM**

The ornamental design for a combined speaker and amplifier, as shown and described.

**DESCRIPTION**

FIG. 1 is a right front side perspective view of a combined speaker and amplifier showing my design; FIG. 2 is a right rear bottom side perspective view of the combined speaker and amplifier as shown in FIG. 1; FIG. 3 is a front elevational view of the combined speaker and amplifier as shown in FIG. 1; FIG. 4 is a rear elevational view of the combined speaker and amplifier as shown in FIG. 1; FIG. 5 is a left side elevational view of the combined speaker and amplifier as shown in FIG. 1; FIG. 6 is a right side elevational view of the combined speaker and amplifier as shown in FIG. 1; FIG. 7 is a top plan view of the combined speaker and amplifier as shown in FIG. 1; and, FIG. 8 is a bottom plan view of the combined speaker and amplifier as shown in FIG. 1. The broken lines environmental are for illustrative purpose only and form no part of the claimed design.

**1 Claim, 8 Drawing Sheets**





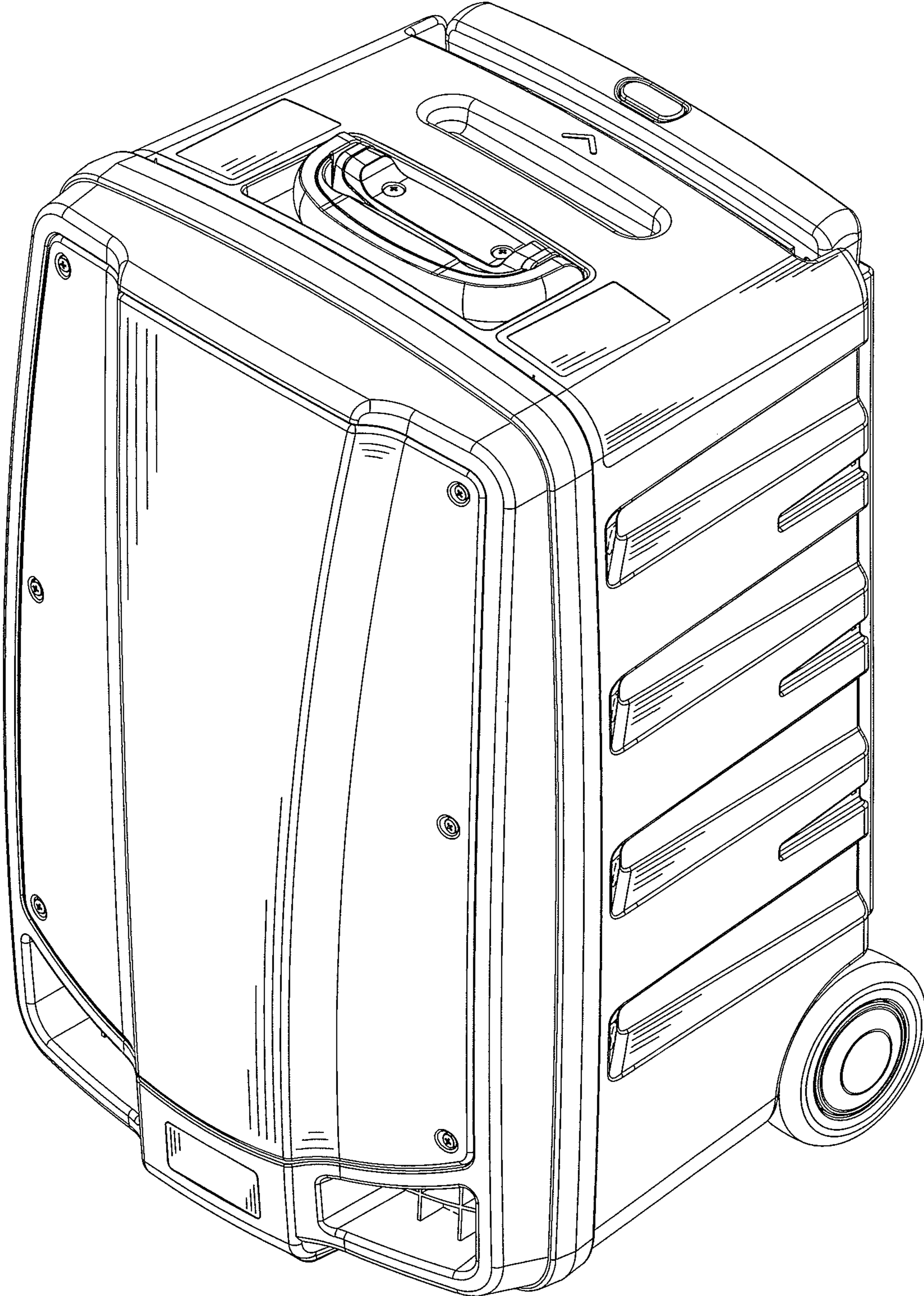


FIG. 1

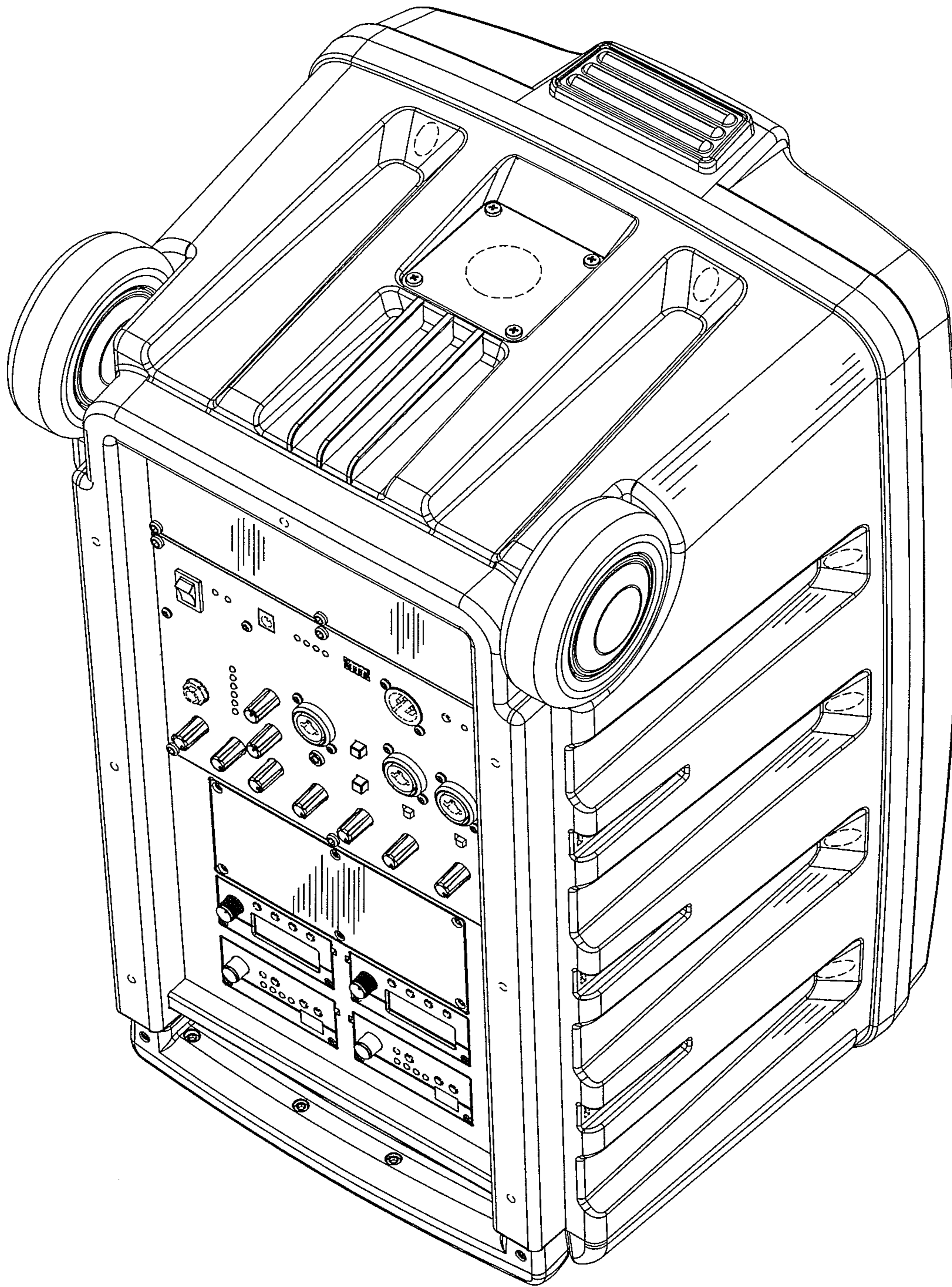


FIG. 2



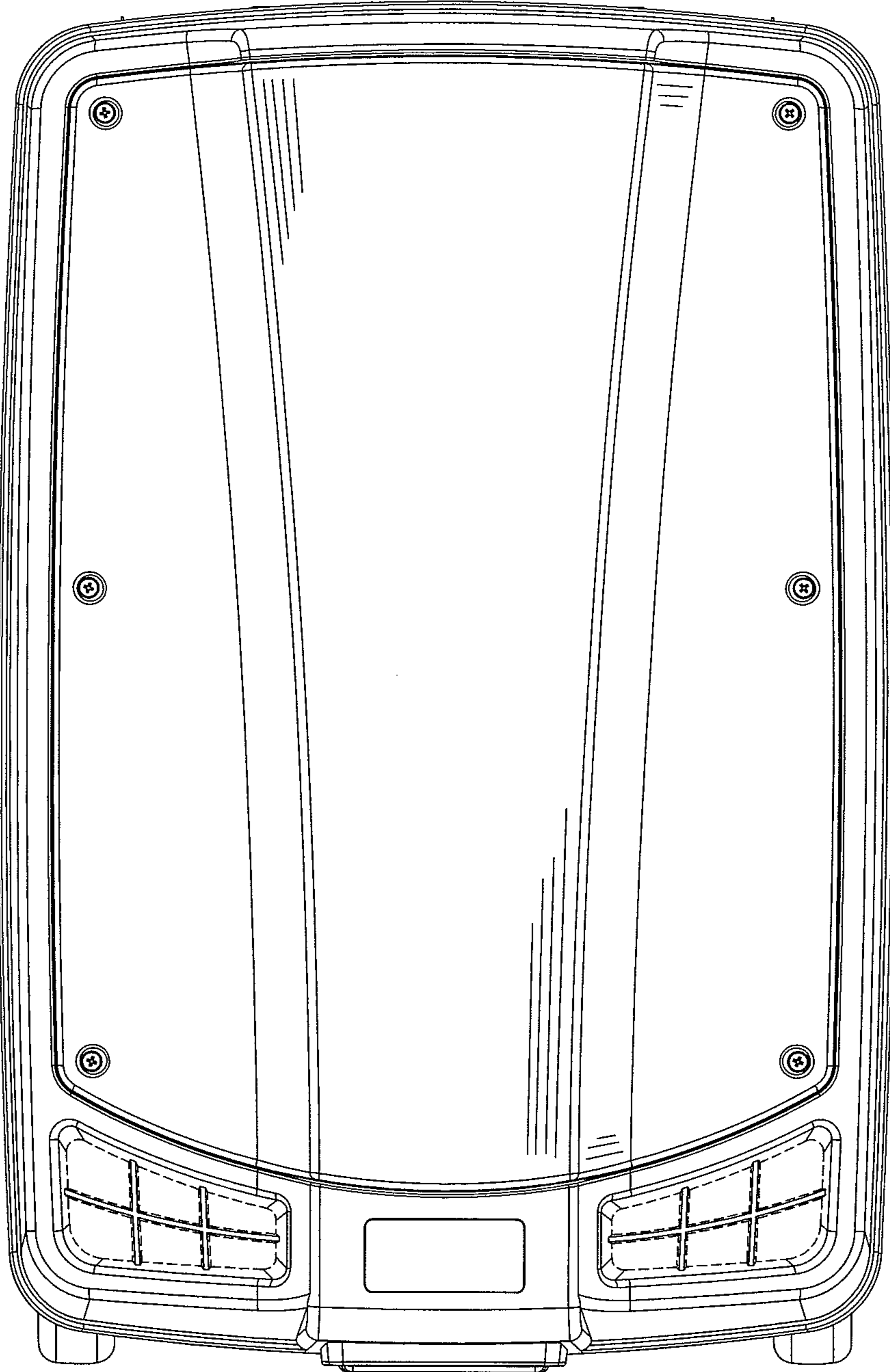


FIG. 3

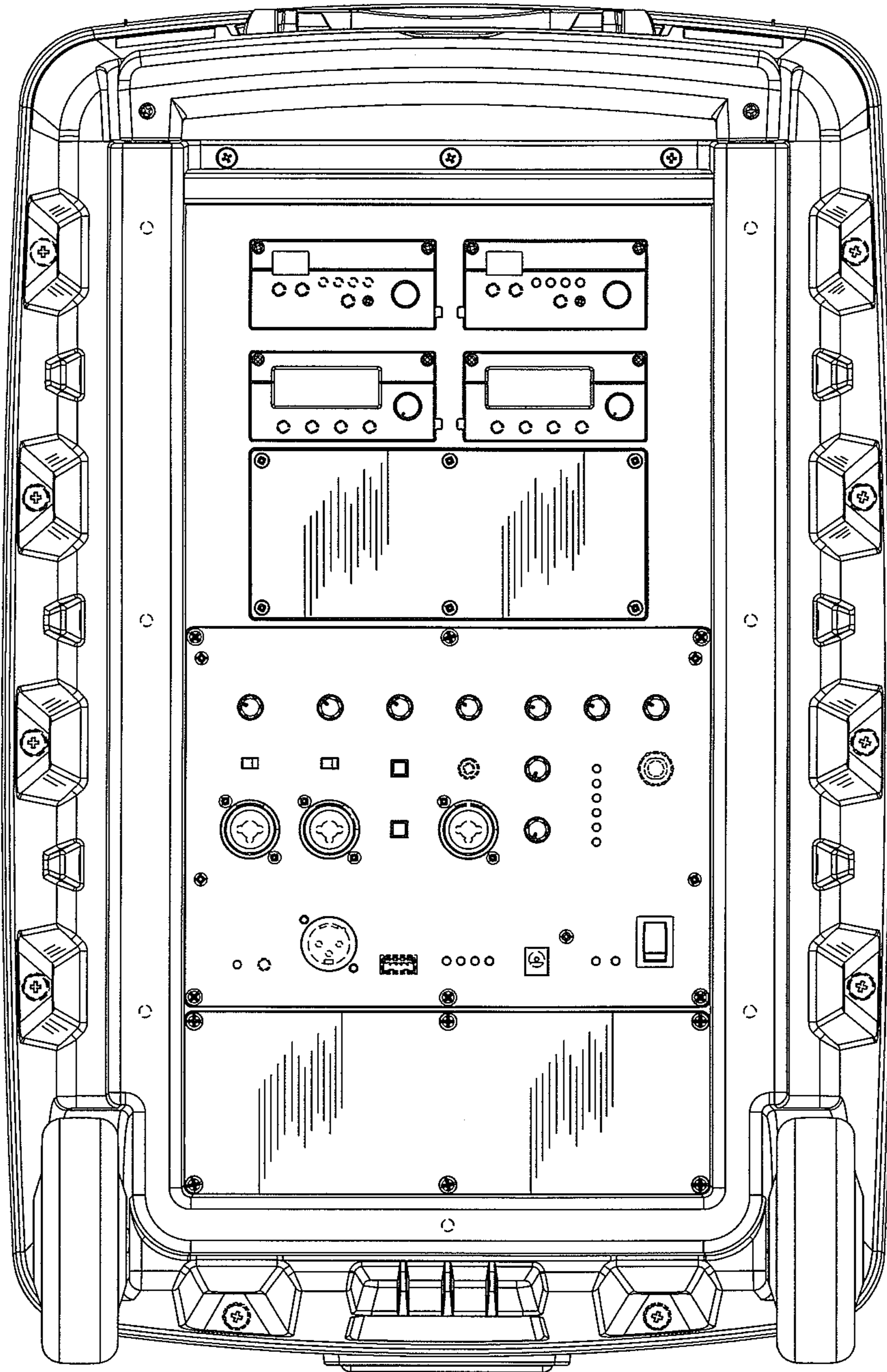


FIG. 4

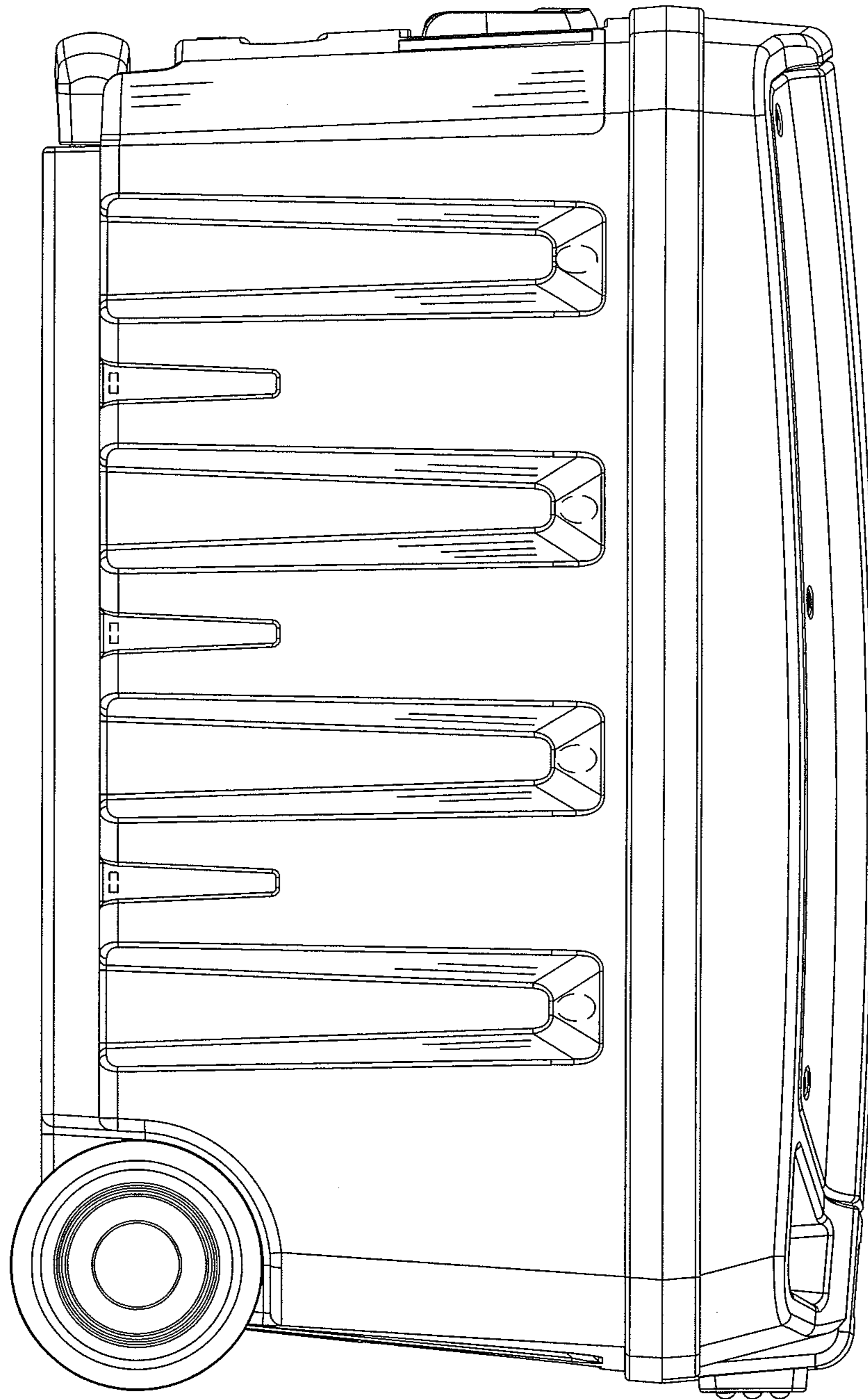


FIG. 5

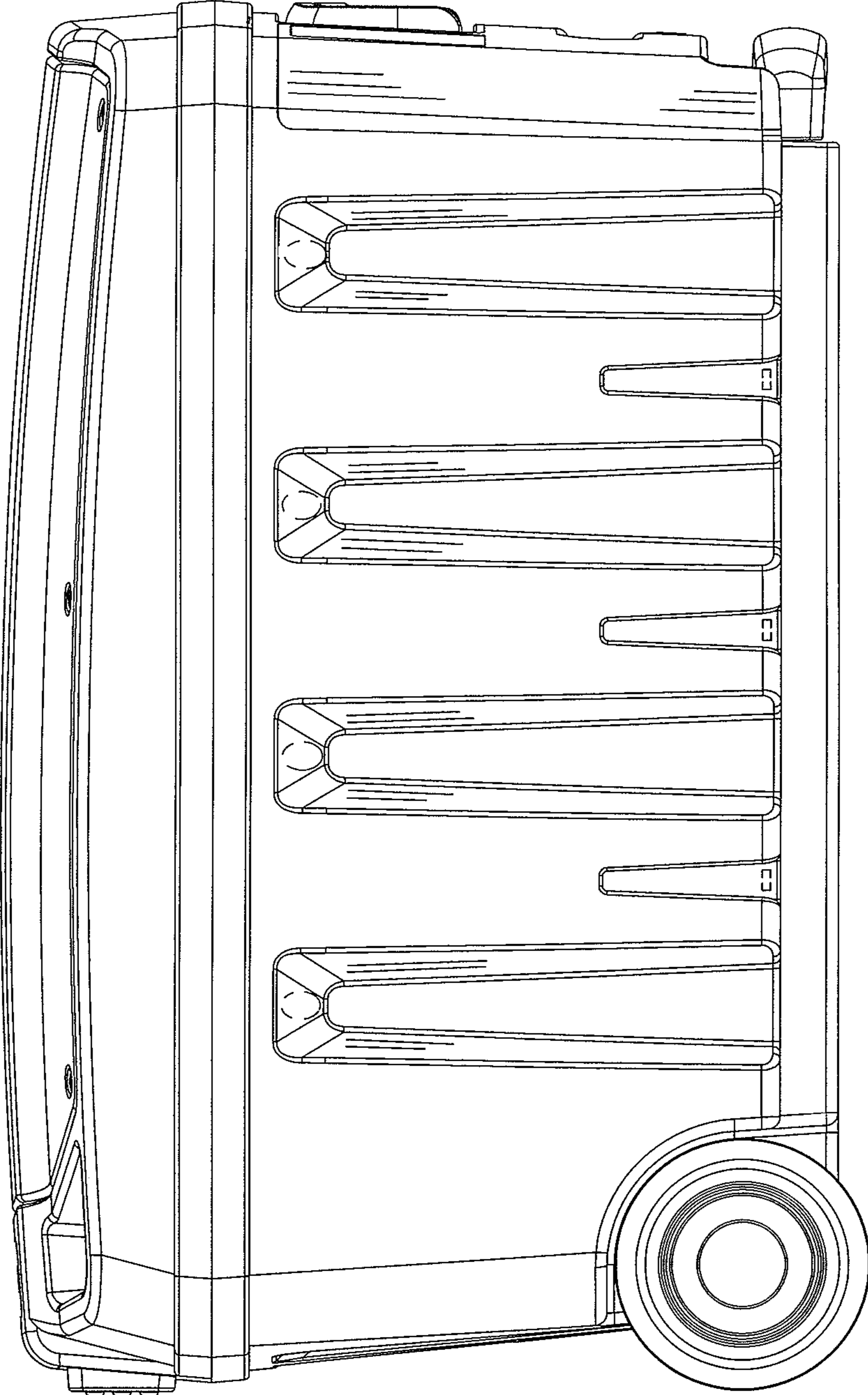


FIG. 6

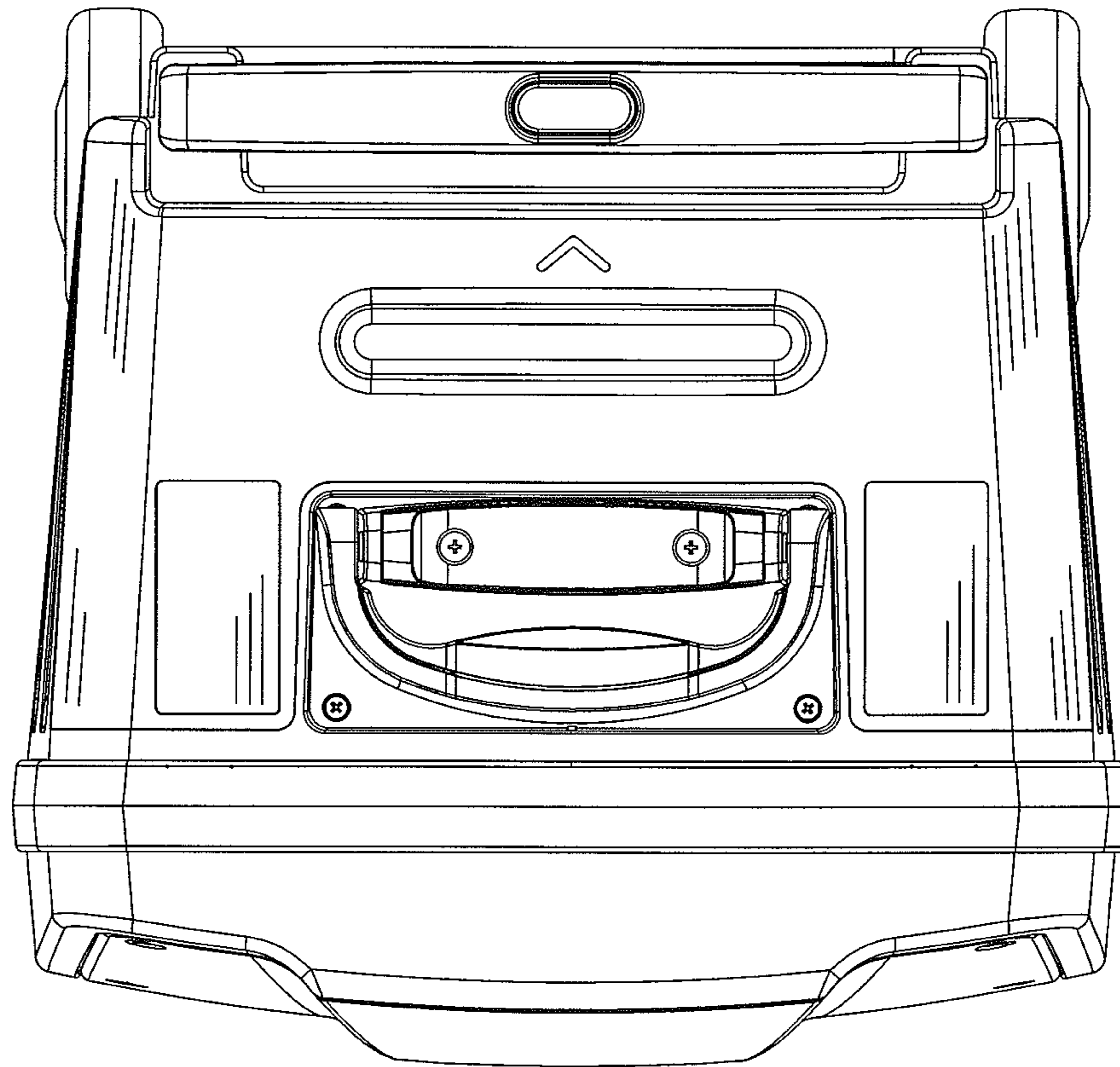


FIG. 7



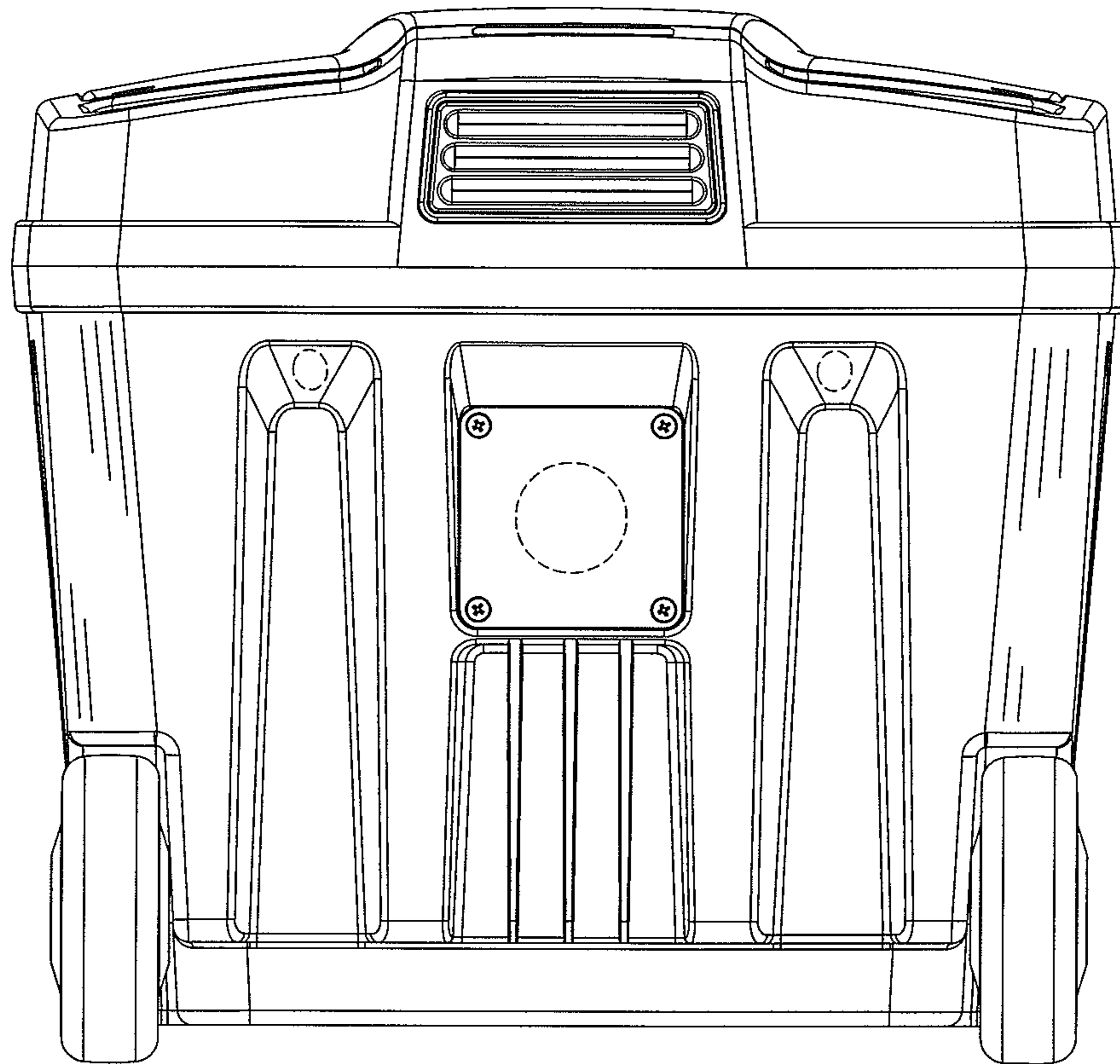


FIG. 8