



US00D876392S

(12) **United States Design Patent**  
**Zhou**

(10) **Patent No.:** **US D876,392 S**

(45) **Date of Patent:** **\*\* Feb. 25, 2020**

- (54) **HEADPHONE**
- (71) Applicant: **Yuzhi Zhou**, Hunan (CN)
- (72) Inventor: **Yuzhi Zhou**, Hunan (CN)
- (73) Assignee: **ZhongTian DingSheng (Shenzhen) Industry Co., Ltd.**, Shenzhen (CN)
- (\*\*) Term: **15 Years**
- (21) Appl. No.: **29/657,856**
- (22) Filed: **Jul. 26, 2018**
- (51) **LOC (12) Cl.** ..... **14-01**
- (52) **U.S. Cl.**  
USPC ..... **D14/206; D14/226**
- (58) **Field of Classification Search**  
USPC ..... D14/206, 226, 205, 188, 192; D29/112;  
2/209; 181/129, 130, 135; 379/430, 431;  
381/380, 381, 370, 374; 455/90.3, 575.1,  
455/569.1  
CPC .... H04R 25/00; H04R 1/1066; H04R 1/1016;  
H04R 5/033; H04R 5/0335; H04R 19/04;  
H04R 1/08; H04R 1/1083; H04R 1/1091;  
H04R 1/105  
See application file for complete search history.

- 5,793,878 A \* 8/1998 Chang ..... H04R 5/0335  
381/370
- 5,841,858 A \* 11/1998 Frierson ..... H04M 1/0202  
379/430
- D404,035 S \* 1/1999 Delazzer ..... D14/205
- 5,960,094 A \* 9/1999 Jensen ..... H04M 1/05  
381/374
- D447,472 S \* 9/2001 McGugan ..... D14/225
- 6,295,366 B1 \* 9/2001 Haller ..... H04R 5/0335  
379/430
- D449,040 S \* 10/2001 Weikel ..... D14/227
- D457,155 S \* 5/2002 Skulley ..... D14/206
- D497,357 S \* 10/2004 Allum ..... D14/206
- D505,413 S \* 5/2005 Skulley ..... D14/223
- D508,483 S \* 8/2005 Suzuki ..... D14/205
- D514,087 S \* 1/2006 Wilson ..... D14/206
- D517,527 S \* 3/2006 Suzuki ..... D14/205
- D517,528 S \* 3/2006 Skulley ..... D14/206
- D518,479 S \* 4/2006 Skulley ..... D14/225
- D531,165 S \* 10/2006 Rath ..... D14/206
- D540,303 S \* 4/2007 Rausch ..... D14/205

(Continued)

Primary Examiner — Paula Allen Greene

(74) Attorney, Agent, or Firm — Justin Lampel

(57) **CLAIM**

The ornamental design for a headphone, as shown and described.

**DESCRIPTION**

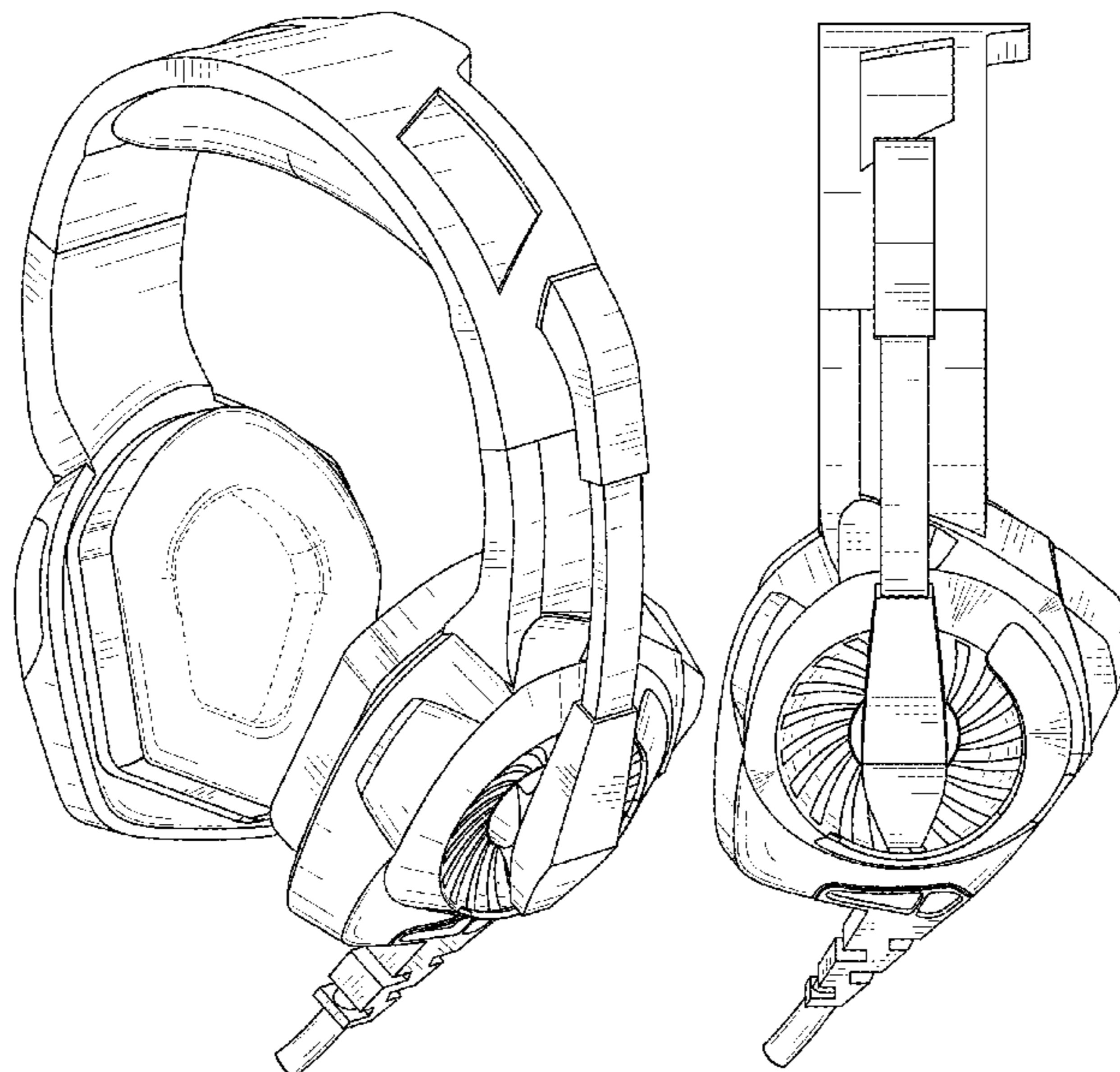
FIG. 1 is a perspective view of a headphone showing my new design;  
 FIG. 2 is a front side view thereof;  
 FIG. 3 is a rear side view thereof;  
 FIG. 4 is a right side view thereof;  
 FIG. 5 is a left side view thereof;  
 FIG. 6 is a bottom plan view thereof; and,  
 FIG. 7 is a top plan view thereof.  
 The broken lines depict environment that forms no part of the claimed design.

**1 Claim, 7 Drawing Sheets**

(56) **References Cited**

**U.S. PATENT DOCUMENTS**

- 3,488,457 A \* 1/1970 Lahti ..... H04R 1/1008  
381/371
- D233,444 S \* 10/1974 Christian ..... D14/206
- D254,183 S \* 2/1980 Doodson ..... D14/205
- 4,754,484 A \* 6/1988 Larkin ..... H04M 1/05  
379/419
- D299,337 S \* 1/1989 Wiegel ..... D14/206
- D302,429 S \* 7/1989 Leer ..... D14/137
- 5,708,725 A \* 1/1998 Ito ..... H04R 5/0335  
381/370
- D395,894 S \* 7/1998 Hern ..... D14/227



(56)

References Cited

U.S. PATENT DOCUMENTS

D549,688 S *	8/2007	Suzuki	.....	D14/205	D769,219 S *	10/2016	Ohmachi	.....	D14/205
D589,492 S *	3/2009	Mistry	.....	D14/205	D788,071 S *	5/2017	Logan	.....	D14/205
D600,674 S *	9/2009	Brennwald	.....	D14/205	D808,359 S *	1/2018	Meyer	.....	D14/205
D604,266 S *	11/2009	Milde	.....	D14/205	D815,614 S *	4/2018	Tzeng	.....	D14/205
D641,727 S *	7/2011	Krauss	.....	D14/206	D824,360 S *	7/2018	Hsieh	.....	D14/205
D662,490 S *	6/2012	McSweyn	.....	D14/205	D843,349 S *	3/2019	Burgess	.....	D14/206
D666,993 S *	9/2012	Kelley	.....	D14/205	D845,927 S *	4/2019	Wang	.....	D14/206
D672,745 S *	12/2012	Abed	.....	D14/205	D851,064 S *	6/2019	Wang	.....	D14/206
D673,522 S *	1/2013	Iijima	.....	D14/205	D856,967 S *	8/2019	Tang	.....	D14/206
8,443,467 B2 *	5/2013	Chiang	.....	A61F 11/06 2/209	D856,968 S *	8/2019	Tang	.....	D14/206
D690,284 S *	9/2013	Brennwald	.....	D14/205	D856,969 S *	8/2019	Tang	.....	D14/206
D723,508 S *	3/2015	Garland	.....	D14/205	D856,970 S *	8/2019	Tang	.....	D14/206
D724,561 S *	3/2015	Ko	.....	D14/205	D856,971 S *	8/2019	Tang	.....	D14/206
9,036,849 B2 *	5/2015	Thompson	.....	H04R 1/083 381/122	2005/0238189 A1 *	10/2005	Tsai	.....	H04R 1/1075 381/309
D741,286 S *	10/2015	Brennwald	.....	D14/205	2010/0040252 A1 *	2/2010	Thompson	.....	H04R 1/083 381/375
D745,859 S *	12/2015	Kiuchi	.....	D14/205	2011/0194721 A1 *	8/2011	Schmidt	.....	H04R 1/1066 381/370
					2017/0064436 A1 *	3/2017	Tamura	.....	H04R 1/1066

\* cited by examiner

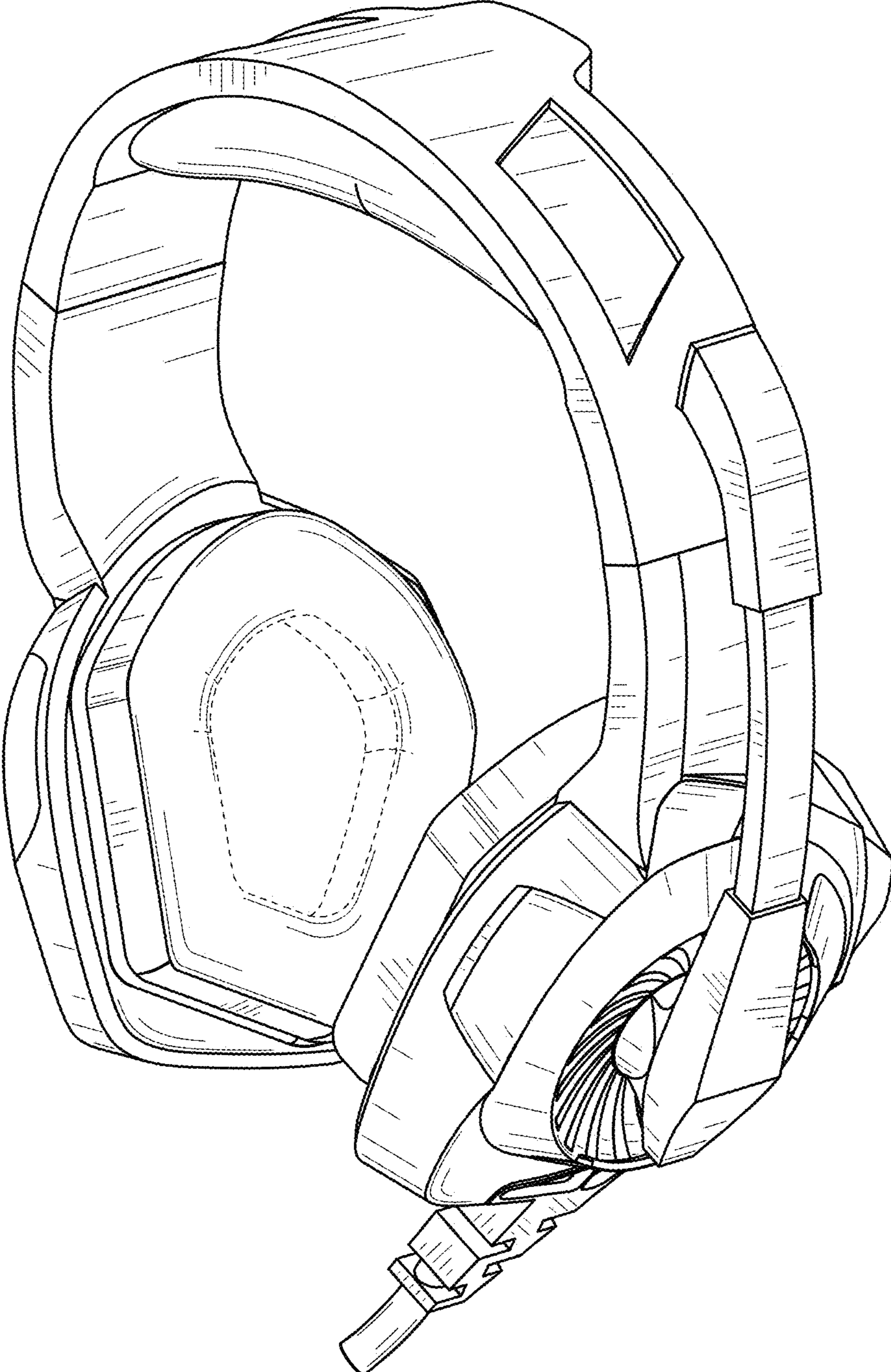


FIG. 1



FIG. 2



FIG. 3

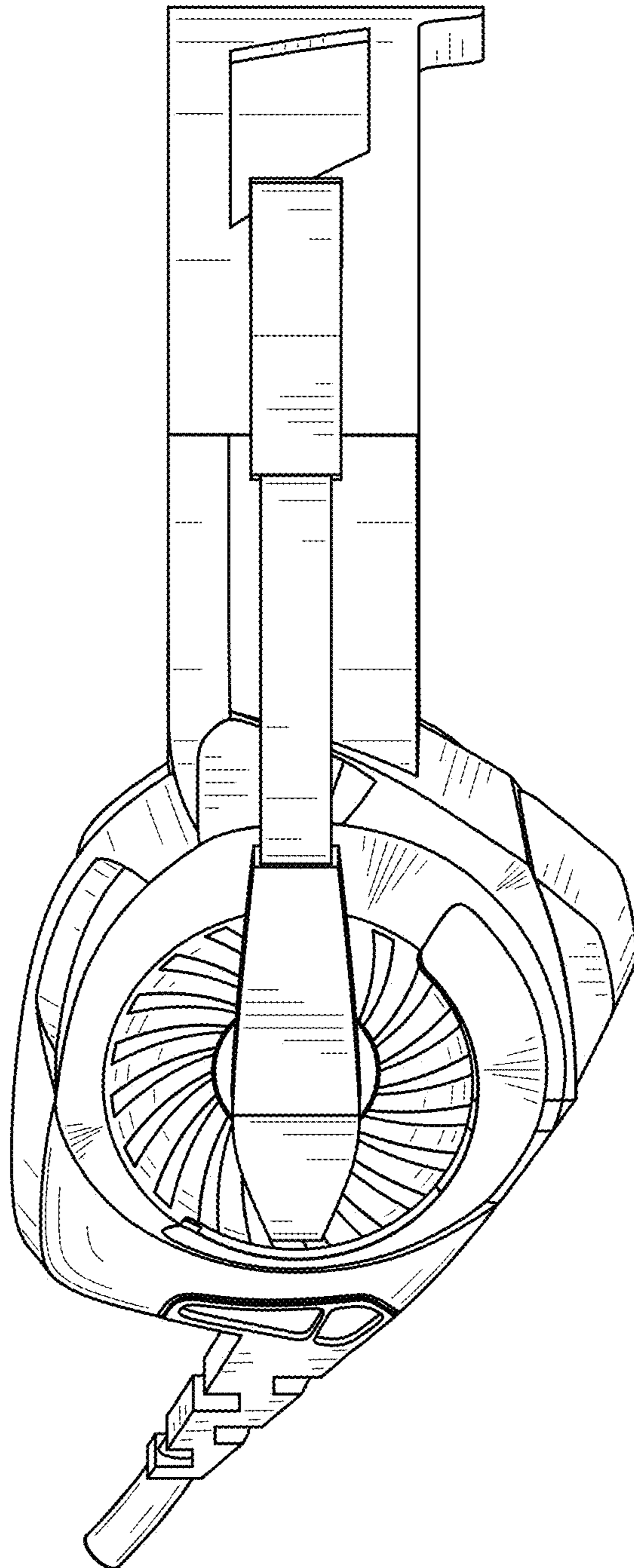


FIG. 4

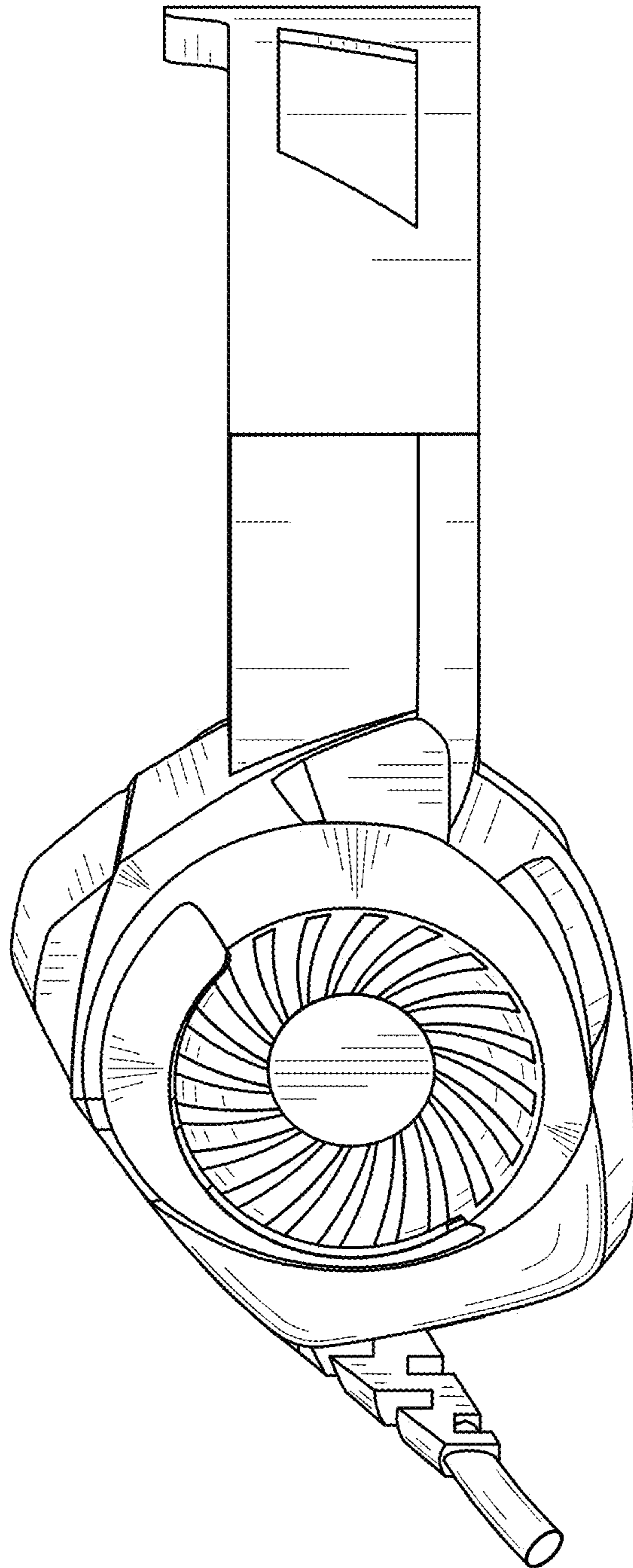


FIG. 5

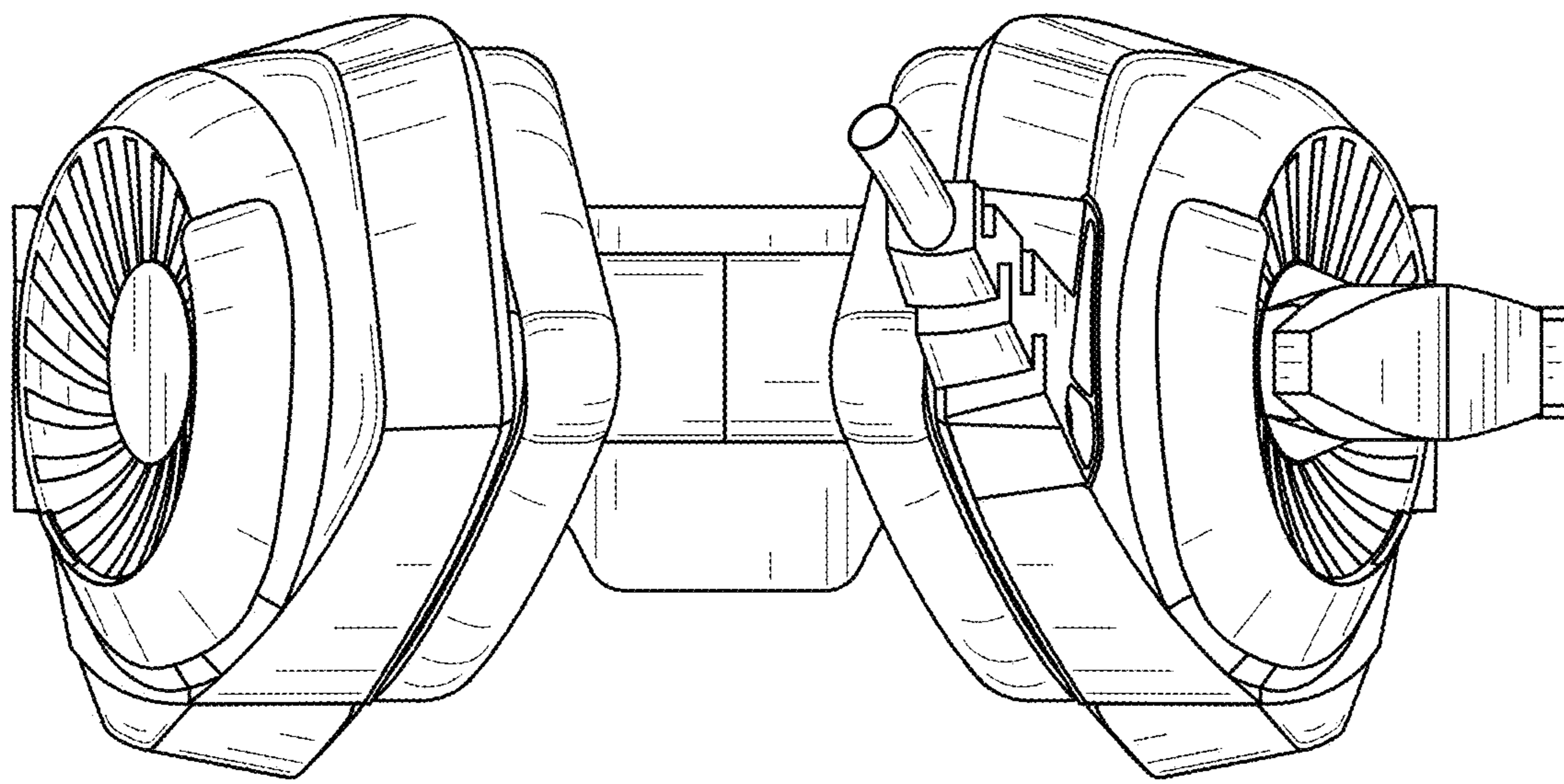


FIG. 6



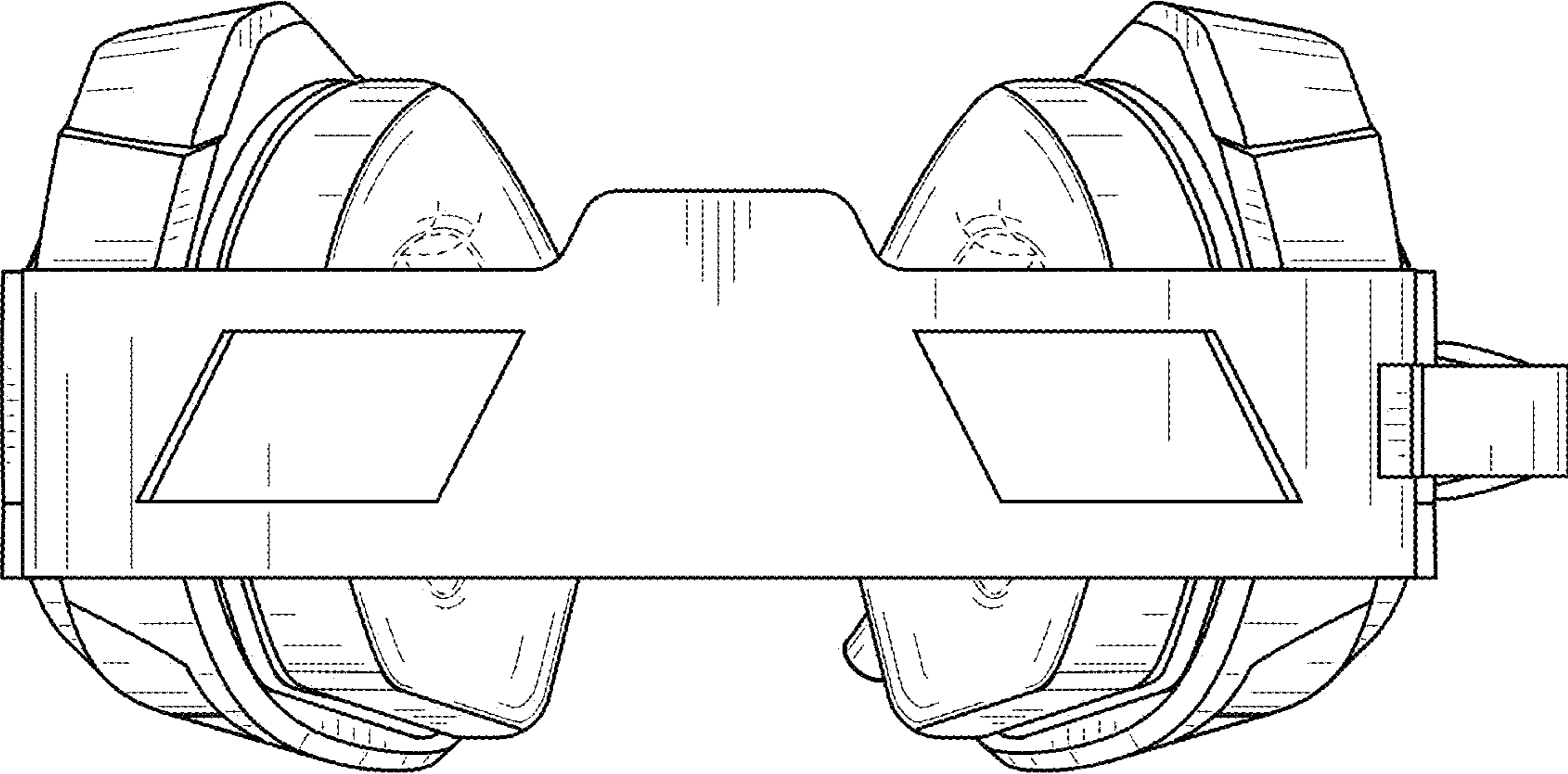


FIG. 7