



US00D876389S

(12) **United States Design Patent** (10) **Patent No.:** **US D876,389 S**
Brunner et al. (45) **Date of Patent:** **** Feb. 25, 2020**

- (54) **AUDIO LISTENING SYSTEM**
- (71) Applicant: **Apple Inc.**, Cupertino, CA (US)
- (72) Inventors: **Robert Brunner**, San Francisco, CA (US); **Gregoire Vandebussche**, San Francisco, CA (US); **Christopher Fruhauf**, San Anselmo, CA (US)
- (73) Assignee: **Apple Inc.**, Cupertino, CA (US)
- (**) Term: **15 Years**
- (21) Appl. No.: **29/668,071**
- (22) Filed: **Oct. 26, 2018**

Related U.S. Application Data

- (60) Continuation of application No. 29/593,122, filed on Feb. 6, 2017, now Pat. No. Des. 832,233, which is a continuation of application No. 29/526,277, filed on May 7, 2015, now Pat. No. Des. 778,255, which is a continuation of application No. 29/488,470, filed on Apr. 18, 2014, now Pat. No. Des. 729,198, which is a division of application No. 29/475,634, filed on Dec. 4, 2013, now Pat. No. Des. 704,163, which is a continuation of application No. 29/417,832, filed on Apr. 9, 2012, now Pat. No. Des. 696,226, which is a division of application No. 29/382,418, filed on Jan. 3, 2011, now Pat. No. Des. 657,345.
- (51) **LOC (12) Cl.** **14-01**
- (52) **U.S. Cl.**
USPC **D14/205**
- (58) **Field of Classification Search**
USPC D14/205; D29/112; 2/209; 181/129, 181/130, 135; 379/430, 431; 381/380, 381/381, 374; 455/90.3, 575.1, 569.1; 248/274.1
CPC H04R 25/00; H04R 1/1066; H04R 1/1016; H04R 5/033; H04R 5/0335
See application file for complete search history.

(56) **References Cited**
U.S. PATENT DOCUMENTS

1,066,511 A	7/1913	Markoff
1,606,165 A	11/1926	Glenn
2,025,385 A	12/1935	Grace et al.
2,149,341 A	3/1939	Harrison
(Continued)		

FOREIGN PATENT DOCUMENTS

GB	2072035 B	2/1984
JP	D1318386 S	5/1986
(Continued)		

OTHER PUBLICATIONS

Office Action dated Dec. 10, 2010 for Russian Patent Application No. 2010501890.

(Continued)

Primary Examiner — Paula Allen Greene
(74) *Attorney, Agent, or Firm* — Sterne, Kessler, Goldstein & Fox P.L.L.C.

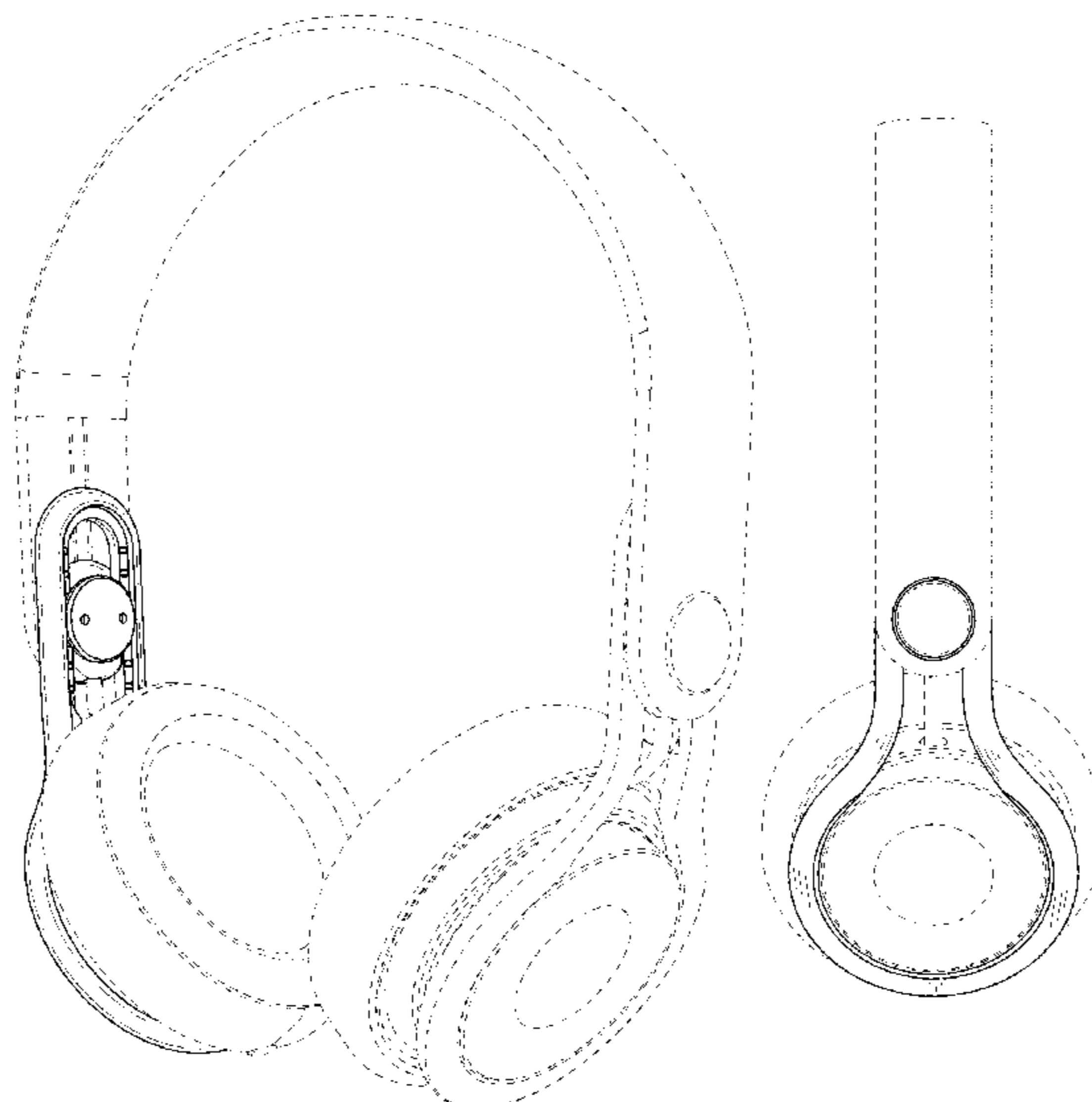
(57) **CLAIM**

The ornamental design for an audio listening system, as shown and described.

DESCRIPTION

FIG. 1 is a front perspective view of an audio listening system showing the claimed design; FIG. 2 is a front view thereof; FIG. 3 is a right side view thereof; FIG. 4 is a left side view thereof; FIG. 5 is a rear view thereof; FIG. 6 is a top view thereof; and, FIG. 7 is a bottom view thereof. The broken lines in the figures show portions of the audio listening system that form no part of the claimed design.

1 Claim, 4 Drawing Sheets



(56)

References Cited

U.S. PATENT DOCUMENTS

2,273,136	A *	2/1942	Orech	F16G 11/14 224/258
2,437,049	A	3/1948	Salisbury et al.	
2,481,387	A	9/1949	Bonecutter	
2,487,787	A	11/1949	Brown	
2,653,193	A	9/1953	Anderson	
2,689,909	A	9/1954	Dazley	
2,993,962	A	7/1961	Hothem	
3,104,398	A	9/1963	Palmaer	
3,219,302	A	11/1965	Smith	
D203,677	S	2/1966	Spilman	
3,245,547	A	4/1966	Felkay	
3,461,463	A *	8/1969	Beguín	A42B 3/166 2/423
3,845,505	A *	11/1974	Davison	A42B 3/166 2/209
3,943,574	A *	3/1976	Yamaguchi	A61F 9/025 2/9
D244,300	S	5/1977	Besasie	
4,048,453	A	9/1977	Seidel	
D246,242	S *	11/1977	Bellini	D14/205
4,069,512	A	1/1978	Palmaer	
4,173,715	A	11/1979	Gosman	
D254,183	S	2/1980	Doodson	
D254,876	S	5/1980	Reitenga	
4,209,264	A *	6/1980	Hellberg	A42B 3/166 403/80
4,437,538	A	3/1984	Ohlsson et al.	
4,571,746	A	2/1986	Gorike	
4,609,786	A	9/1986	Omoto et al.	
4,634,816	A	1/1987	O'Malley et al.	
4,875,233	A	10/1989	Derhaag	
D313,092	S	12/1990	Nilsson	
5,018,599	A	5/1991	Dohi et al.	
5,035,005	A	7/1991	Hung	
D328,074	S	7/1992	Yamazaki et al.	
D328,461	S	8/1992	Daido et al.	
D338,010	S	8/1993	Yamatogi	
D342,071	S	12/1993	Wright et al.	
D351,172	S	10/1994	Nakamura et al.	
D353,817	S	12/1994	Wada	
D353,821	S	12/1994	Hammer et al.	
D358,389	S	5/1995	Isono	
D375,825	S	11/1996	Whidden	
D403,128	S	12/1998	Scanlon et al.	
D420,356	S	2/2000	Suzuki	
D422,592	S	4/2000	Deguchi	
D427,382	S	6/2000	Leight et al.	
6,081,604	A	6/2000	Hikichi et al.	
D430,140	S	8/2000	Roman	
6,141,894	A	11/2000	Thalenfeld et al.	
D435,249	S	12/2000	Yasutomi	
6,163,615	A	12/2000	Callahan	
6,195,839	B1	3/2001	Patterson et al.	
D457,512	S	5/2002	Yoneda	
6,449,806	B1	9/2002	Engelhard et al.	
D468,723	S	1/2003	Pham	
6,611,963	B2	9/2003	Woo et al.	
D484,485	S	12/2003	Matsuoka	
6,654,966	B2	12/2003	Rolla et al.	
D484,868	S	1/2004	Suzuki	
6,678,897	B2	1/2004	Lindgren	
6,724,906	B2 *	4/2004	Naksen	H04R 1/1066 381/370
D491,163	S	6/2004	Green	
D502,938	S	3/2005	Tokioka	
D504,883	S	5/2005	Jacobson et al.	
D512,381	S	12/2005	Sirichai et al.	
D512,708	S	12/2005	Harris, Jr. et al.	
D512,981	S	12/2005	Jacobson et al.	
D517,043	S	3/2006	Jacobson et al.	
D519,497	S	4/2006	Kamiyama	
7,072,483	B2	7/2006	Lenhard-Backhaus	
D532,407	S	11/2006	Motoishi	
D534,155	S	12/2006	Obata	
D534,156	S	12/2006	Obata	
7,172,052	B2	2/2007	Lenhard-Backhaus	
D539,267	S *	3/2007	Komiyama	D14/205
D539,788	S	4/2007	Thompson	
D540,301	S	4/2007	Obata	
D540,303	S	4/2007	Rausch et al.	
D541,255	S	4/2007	Taylor	
D541,256	S	4/2007	Rausch et al.	
D541,257	S	4/2007	Thursfield	
D552,077	S	10/2007	Brunner et al.	
D557,684	S	12/2007	Pundsack	
D560,654	S	1/2008	Feng	
D563,382	S	3/2008	Wikel	
D563,995	S	3/2008	Deguchi et al.	
D570,825	S	6/2008	Schultz et al.	
D582,890	S	12/2008	Koza	
D584,715	S	1/2009	Brennwald	
D585,870	S	2/2009	Zheng	
D585,871	S	2/2009	Lee	
D585,872	S	2/2009	Lee	
D588,098	S	3/2009	Kurihara	
D588,100	S	3/2009	Densho	
D591,263	S	4/2009	Shimizu	
D592,182	S	5/2009	Sanguinetti	
D592,640	S	5/2009	Tkachuk	
D593,995	S	6/2009	Shimizu	
D600,674	S	9/2009	Brennwald	
D603,370	S	11/2009	Suzuki	
D603,371	S	11/2009	Boateng et al.	
D616,865	S	6/2010	Marchand	
D617,769	S	6/2010	Birger	
7,735,154	B2	6/2010	Gellis et al.	
D620,474	S	7/2010	Kamiyama	
D625,705	S	10/2010	Ohari et al.	
D632,668	S	2/2011	Brunner et al.	
D633,896	S	3/2011	Kondo	
D635,959	S	4/2011	Hutchieson	
D637,176	S	5/2011	Brunner et al.	
D637,998	S	5/2011	Brunner et al.	
D637,999	S	5/2011	Brunner et al.	
D638,000	S	5/2011	Hoggarth	
D639,776	S	6/2011	Arimoto	
D641,725	S	7/2011	Chong	
D648,330	S	11/2011	Fischer	
D652,017	S	1/2012	Groves	
D652,405	S	1/2012	Lee	
D652,406	S	1/2012	Lee	
D654,471	S	2/2012	Fischer	
D654,472	S	2/2012	Fischer	
D657,344	S	4/2012	Brunner et al.	
D657,345	S	4/2012	Brunner et al.	
D657,776	S	4/2012	Lee et al.	
D658,158	S *	4/2012	Suzuki	D14/205
D660,823	S	5/2012	Hardi et al.	
D660,824	S	5/2012	Hardi et al.	
D660,826	S	5/2012	Brunner et al.	
D662,490	S	6/2012	McSweyn	
D663,716	S	7/2012	Hardi et al.	
D668,633	S	10/2012	Enquist	
D671,914	S	12/2012	Lee et al.	
D673,520	S	1/2013	Tan	
D674,767	S	1/2013	Brunner et al.	
D689,463	S	9/2013	Hardi et al.	
D695,263	S	12/2013	Mogili	
D696,226	S	12/2013	Brunner et al.	
D697,047	S	1/2014	Yoshida	
8,660,287	B2	2/2014	Stephenson	
D702,210	S	4/2014	Birger	
D704,163	S	5/2014	Brunner et al.	
D707,200	S	6/2014	Yang	
D709,860	S	7/2014	Brunner et al.	
D713,817	S *	9/2014	Paterson	D14/205
D716,760	S	11/2014	Brunner et al.	
D720,721	S	1/2015	Lu	
D722,590	S	2/2015	Lu	
D722,591	S	2/2015	Son et al.	
D724,560	S	3/2015	Galler	
D729,198	S	5/2015	Brunner	

(56)

References Cited

U.S. PATENT DOCUMENTS

9,084,055 B2 7/2015 Brunner et al.
 D768,110 S * 10/2016 Suzuki D14/205
 D778,255 S 2/2017 Brunner et al.
 D796,474 S * 9/2017 Treski D14/205
 D830,330 S * 10/2018 Petersen D14/205
 D832,233 S * 10/2018 Brunner H04R 1/1008
 D14/205
 D853,986 S * 7/2019 Treski D14/205
 D864,896 S * 10/2019 Zhang D14/205
 2003/0182713 A1 10/2003 Rolla
 2004/0216946 A1 11/2004 Lenhard-Backhaus
 2005/0034218 A1 2/2005 LeGette et al.
 2005/0053255 A1 3/2005 Harris et al.
 2005/0226452 A1 10/2005 Amae et al.
 2006/0001307 A1 1/2006 Embach
 2006/0062417 A1 3/2006 Tachikawa
 2006/0104471 A1 5/2006 Tsunoda et al.
 2008/0056525 A1 3/2008 Fujiwara et al.
 2009/0220118 A1 9/2009 Meier et al.
 2010/0128884 A1 5/2010 Sapiejewski et al.
 2010/0284558 A1 11/2010 Kimura et al.
 2011/0206216 A1 8/2011 Brunner et al.
 2014/0211976 A1 7/2014 Brunner et al.

FOREIGN PATENT DOCUMENTS

JP D1406347 S 10/1987
 JP D1430542 S 3/1988
 KR 30-0476152 1/2008
 WO WO 2007103561 A2 9/2007
 WO WO 2012094176 A2 7/2012

OTHER PUBLICATIONS

Search Report dated Mar. 31, 2011 for Taiwan patent Application No. 099303306.
 Search Report and Written Opinion for PCT Application No. PCT/US11/67045 dated Sep. 27, 2012.
 Taiwan Office Action for Taiwan Application No. 101303990 dated Aug. 26, 2013.
 Taiwan Office Action for Taiwan Application No. 101301117 dated Aug. 26, 2013.
 Taiwan Office Action for Taiwan Application No. 102302000 dated Aug. 26, 2013.

* cited by examiner

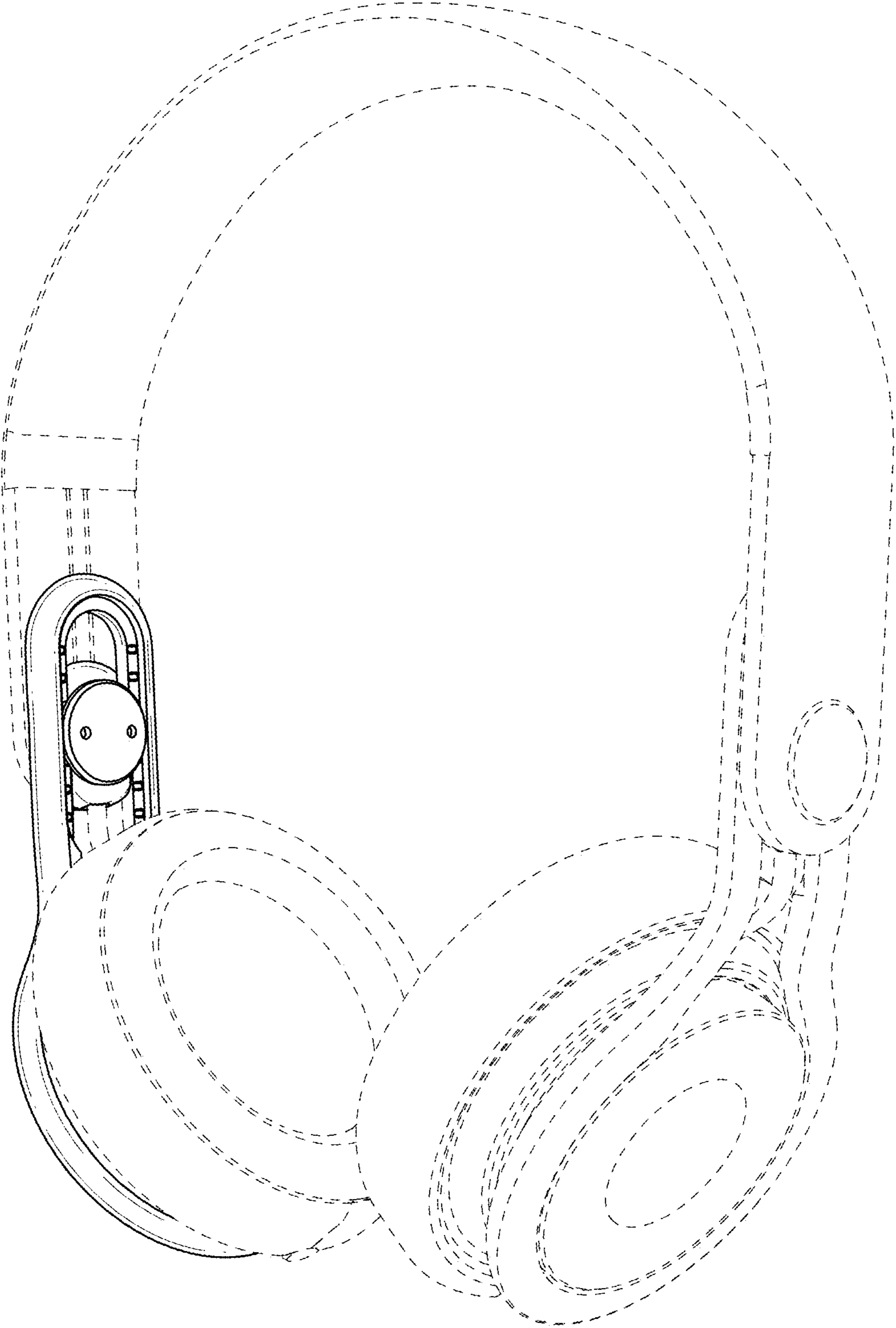


FIG. 1

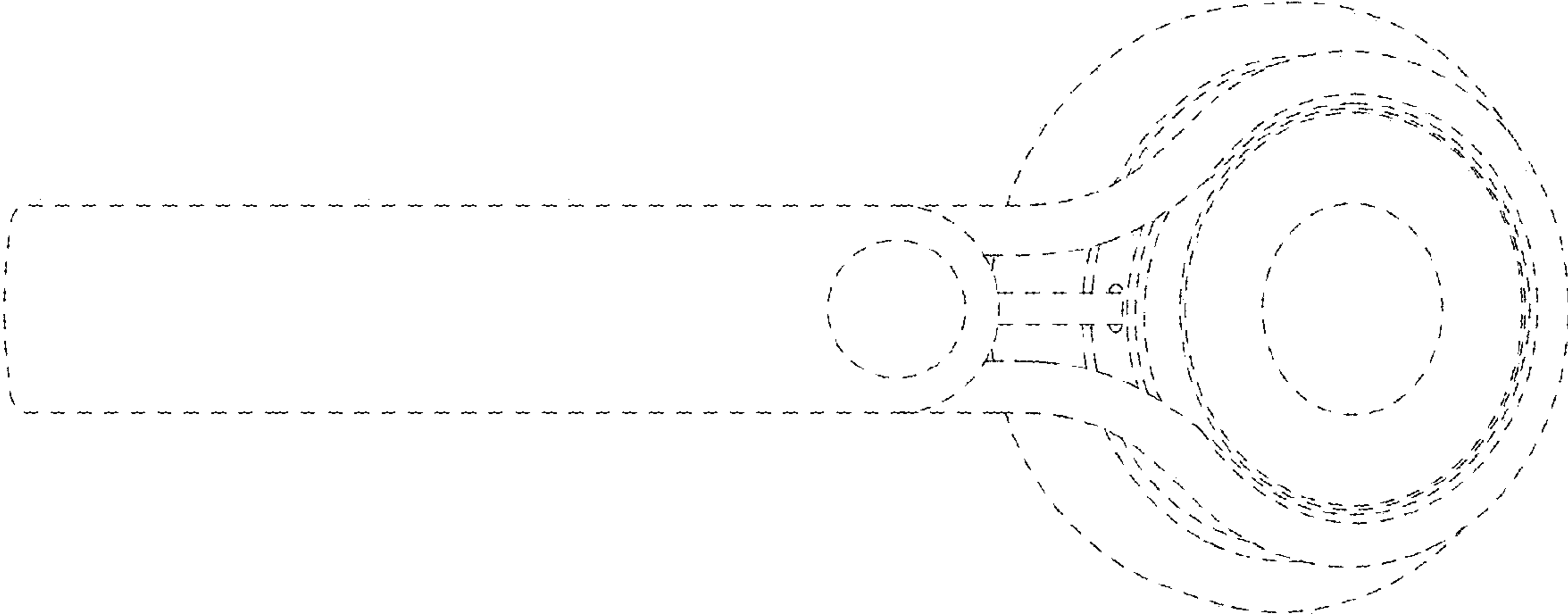


FIG. 3

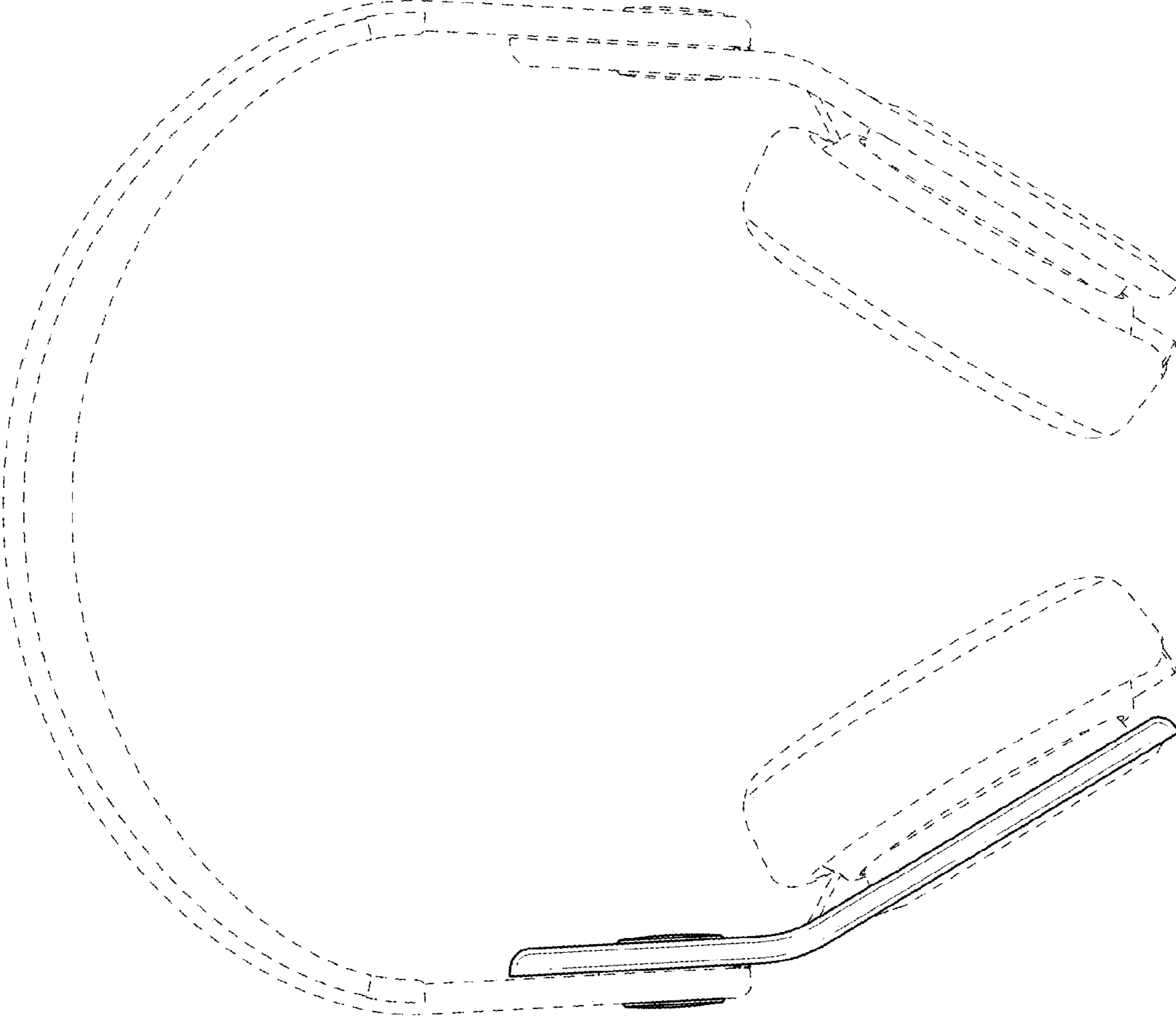


FIG. 2

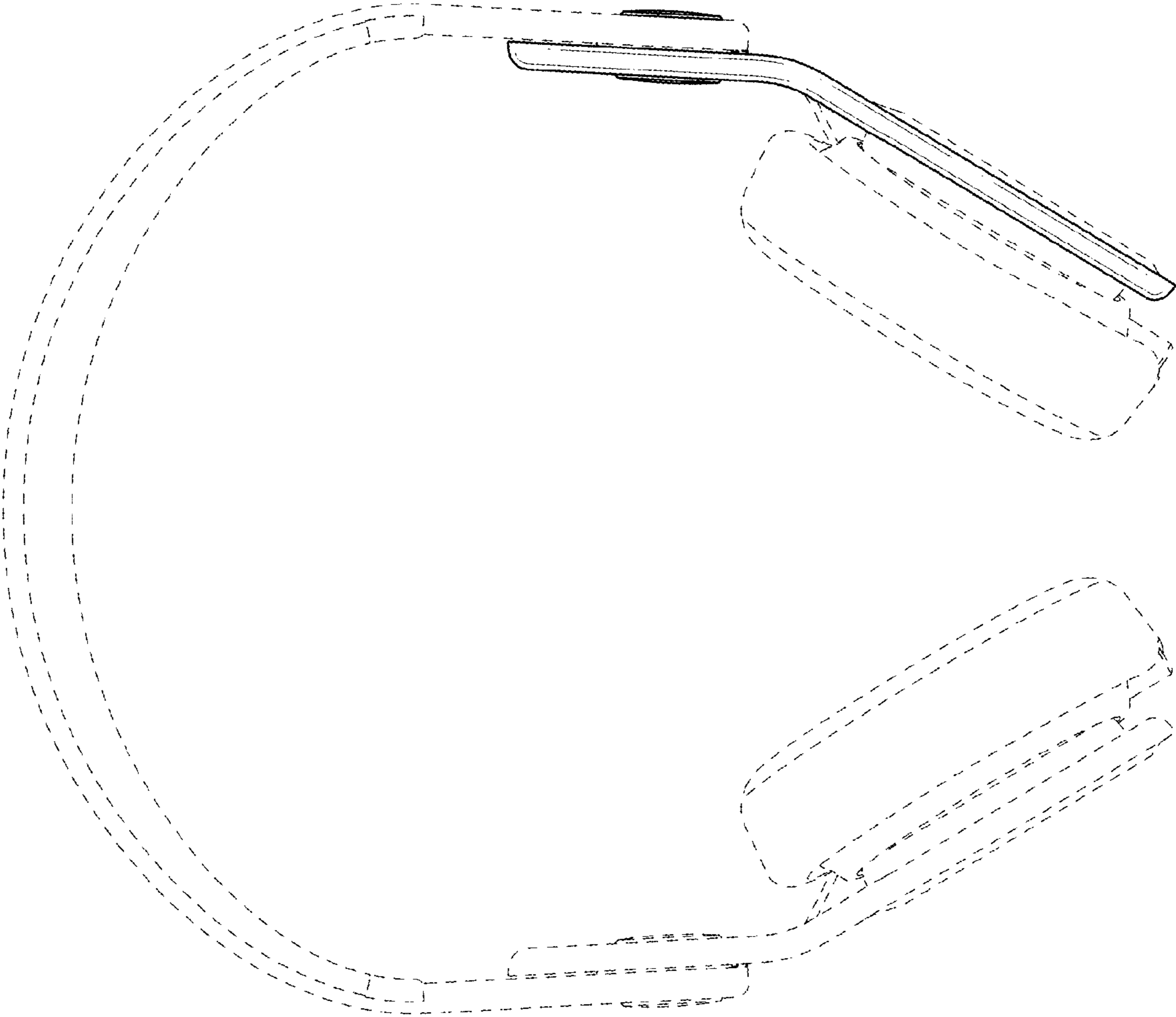


FIG. 5

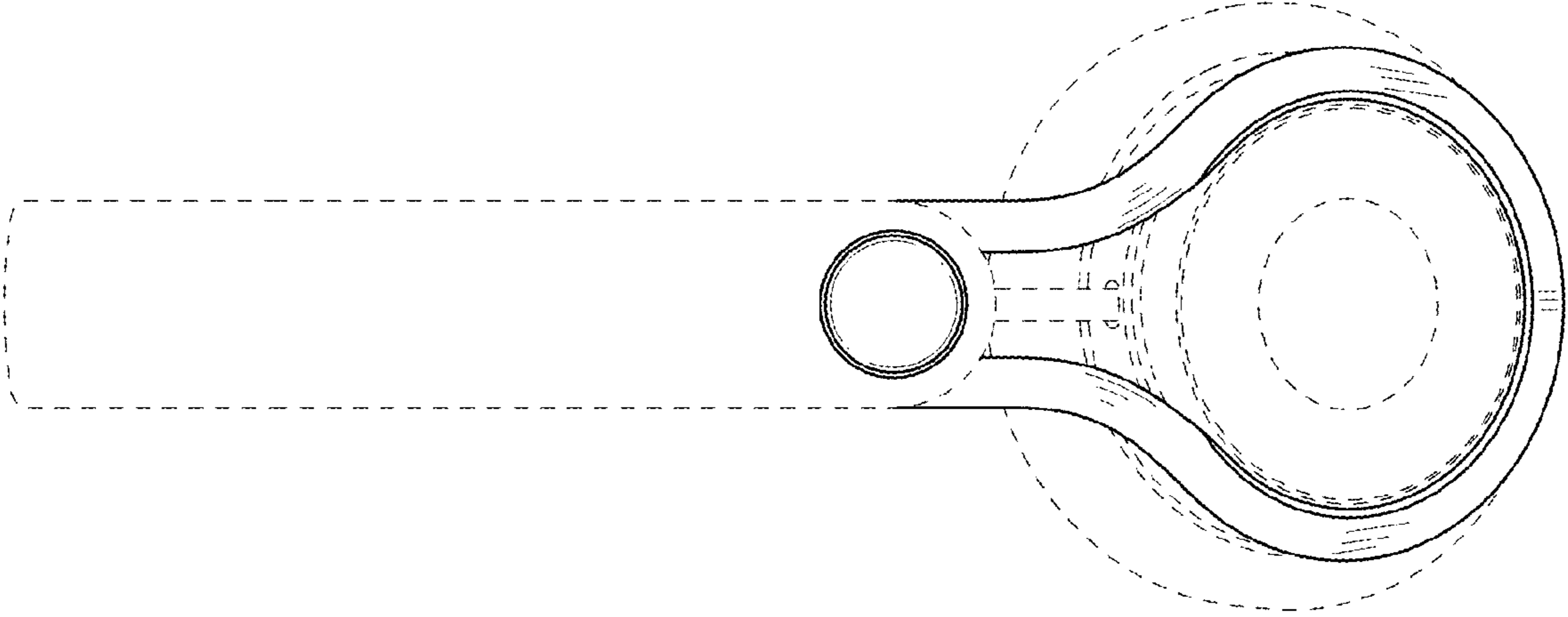


FIG. 4

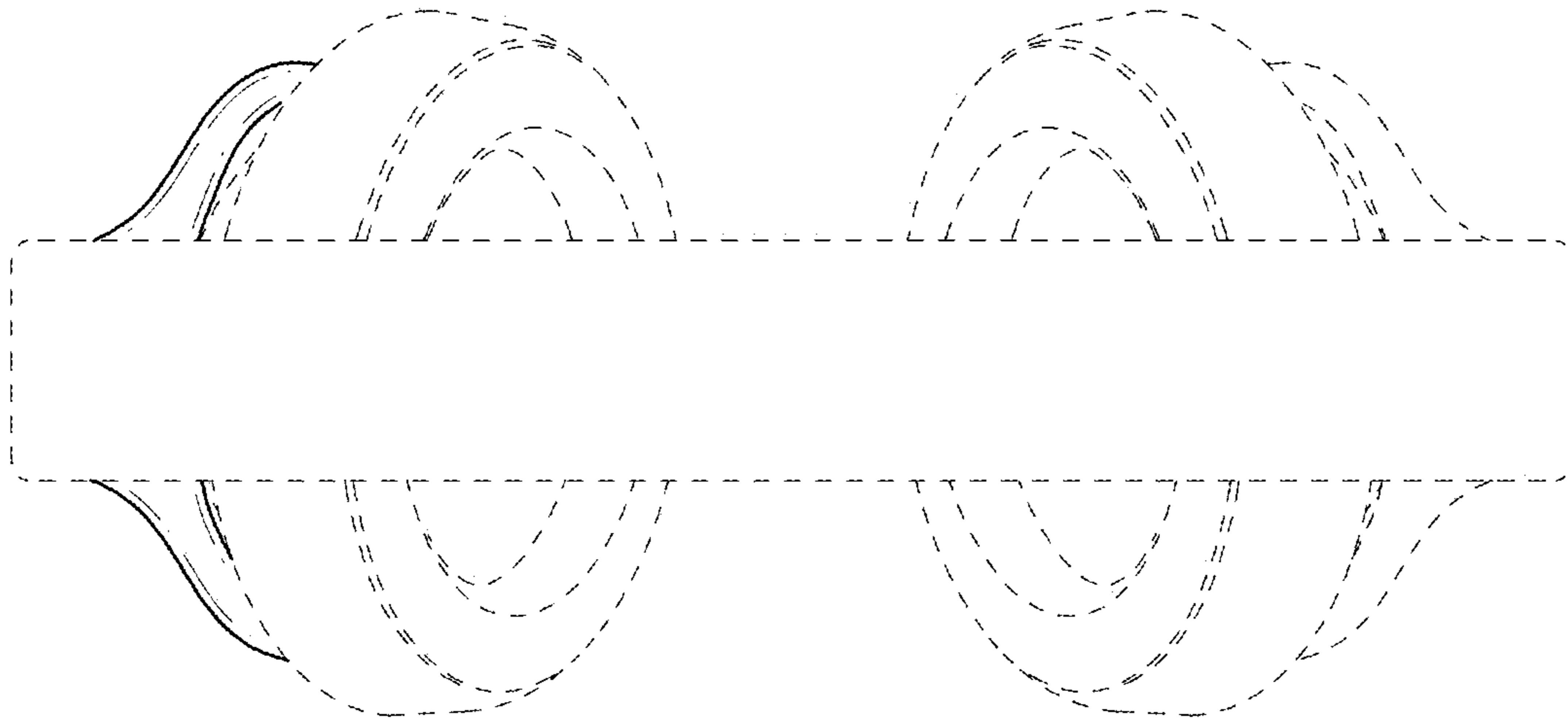


FIG. 6

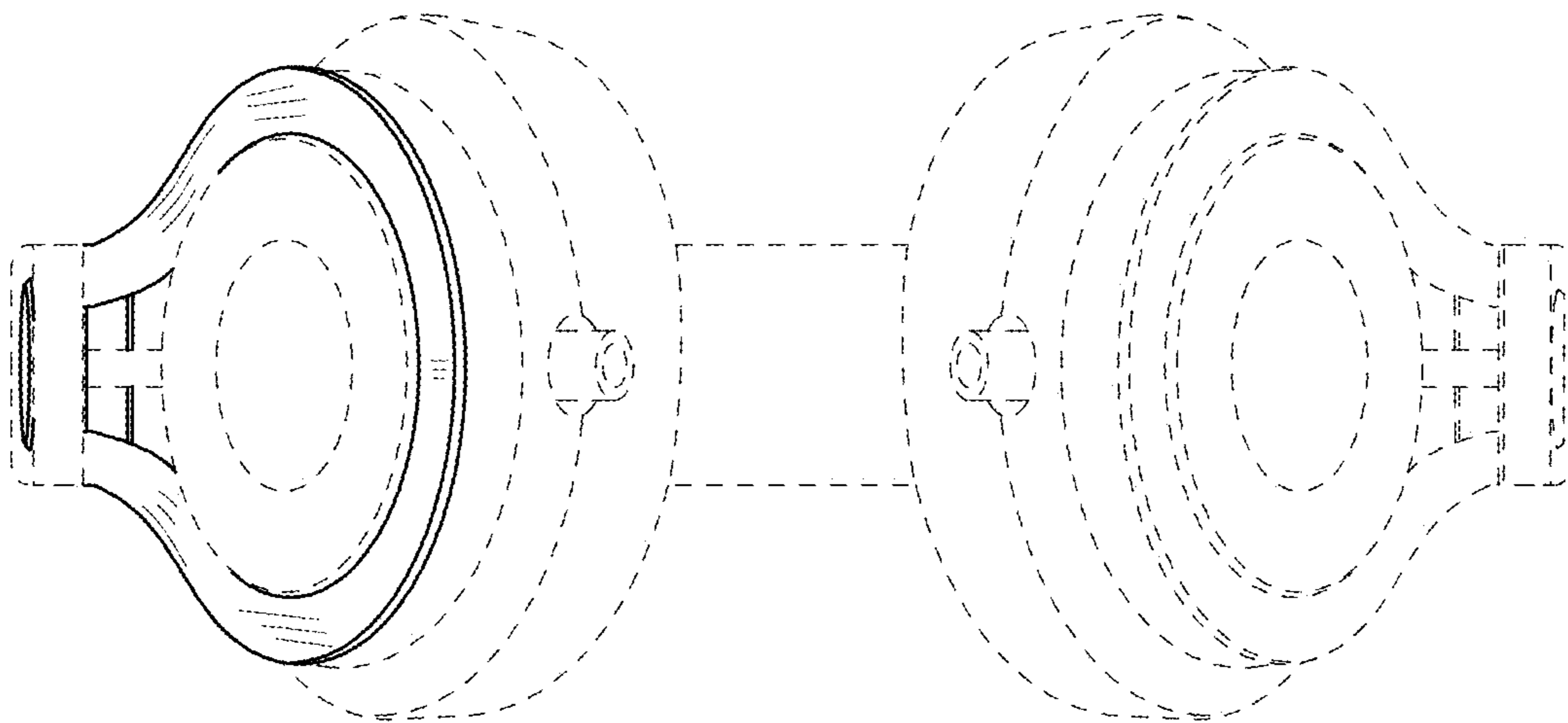


FIG. 7