



US00D876388S

(12) **United States Design Patent**
Carr et al.

(10) **Patent No.:** **US D876,388 S**

(45) **Date of Patent:** **** Feb. 25, 2020**

(54) **COMMUNICATIONS HEADSET OR HEADPHONE**

(71) Applicant: **Plantronics, Inc.**, Santa Cruz, CA (US)

(72) Inventors: **Terry M Carr**, Santa Cruz, CA (US);
Manoj K Mistry, Santa Cruz, CA (US); **Erik Henry Tews**, Santa Cruz, CA (US); **Matthew J Mainini**, Santa Cruz, CA (US)

(73) Assignee: **Plantronics, Inc.**, Santa Cruz, CA (US)

(**) Term: **15 Years**

(21) Appl. No.: **29/662,595**

(22) Filed: **Sep. 6, 2018**

(51) **LOC (12) Cl.** **14-01**

(52) **U.S. Cl.**
USPC **D14/205**

(58) **Field of Classification Search**
USPC D14/205, 188, 192; D29/112; 2/209;
181/129, 130, 135; 379/430, 431;
381/380, 381, 374; 455/90.3, 575.1,
455/569.1

CPC H04R 1/1066; H04R 1/1016; H04R 25/00;
H04R 5/033; H04R 5/0335; H04R 1/1091
See application file for complete search history.

(56) **References Cited**

U.S. PATENT DOCUMENTS

3,505,684	A	*	4/1970	Hutchinson	A61F 11/14	2/209
D229,833	S	*	1/1974	Becker	D14/205	
D241,350	S	*	9/1976	Kao et al.	D14/249	
D255,352	S	*	6/1980	Besasio	D14/205	
D317,767	S	*	6/1991	Banks	D14/205	
D328,461	S	*	8/1992	Daido	D14/205	
D353,818	S	*	12/1994	Nakamura	D14/205	
D358,389	S	*	5/1995	Isono	D14/205	

D358,390	S	*	5/1995	Hayashi	D14/205	
D453,015	S	*	1/2002	Yuyama	D14/192	
D491,163	S	*	6/2004	Green	D14/205	
D504,414	S	*	4/2005	Yoshida	D14/192	
D534,156	S	*	12/2006	Obata	D14/205	
7,457,649	B1	*	11/2008	Wilson	H04R 1/1025	379/428.02

(Continued)

FOREIGN PATENT DOCUMENTS

EM	006255600-0001	*	2/2019
EM	006597175-0001	*	6/2019

(Continued)

OTHER PUBLICATIONS

Paterson, "Communications Headset or Headphone," Design U.S. Appl. No. 29/609,172, filed Jun. 28, 2017 (12 pages).

(Continued)

Primary Examiner — Paula Allen Greene

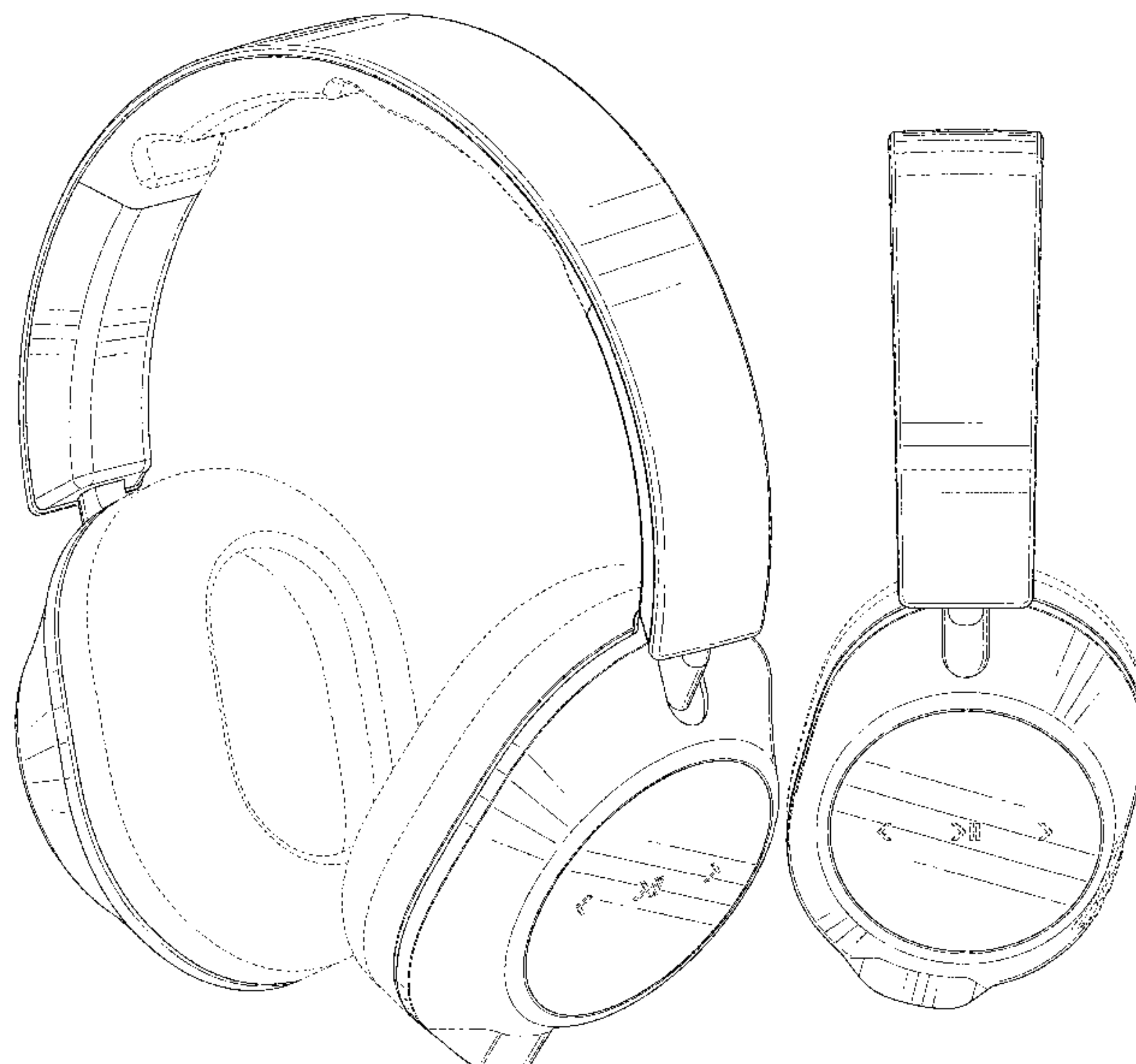
(57) **CLAIM**

The ornamental design for a communications headset or headphone, as shown and described.

DESCRIPTION

FIG. 1 is a front-right-top perspective view of a communications headset or headphone showing our new design; FIG. 2 is a back-left-bottom perspective view thereof; FIG. 3 is a front view thereof; FIG. 4 is a back view thereof; FIG. 5 is a left side view thereof; FIG. 6 is a right side view thereof; FIG. 7 is a top view thereof; and, FIG. 8 is a bottom view thereof. The broken lines showing the unclaimed features form no part of the claimed design.

1 Claim, 8 Drawing Sheets



(56)

References Cited

U.S. PATENT DOCUMENTS

D594,847 S * 6/2009 Suzuki D14/205
 D603,370 S * 11/2009 Suzuki D14/205
 D632,668 S * 2/2011 Brunner D14/205
 D637,176 S * 5/2011 Brunner D14/205
 7,940,924 B2 * 5/2011 Amae H04M 1/05
 379/430
 D642,554 S * 8/2011 Schaal D14/205
 D657,776 S * 4/2012 Lee D14/205
 D662,080 S * 6/2012 Carr D14/205
 D663,900 S * 7/2012 Karlsson A61F 11/14
 D29/112
 D664,117 S * 7/2012 Tappeiner D14/205
 8,295,529 B2 * 10/2012 Petersen H04R 1/083
 381/371
 D683,717 S * 6/2013 Kelly D14/205
 D684,559 S * 6/2013 Groset D14/205
 D691,984 S * 10/2013 Wang D14/205
 D693,791 S * 11/2013 Troy D14/205
 D697,897 S * 1/2014 Lee D14/205
 8,755,555 B2 * 6/2014 Dougherty H04R 1/1066
 381/370
 D713,384 S * 9/2014 McNamara D14/205
 D716,255 S * 10/2014 Cho D14/205
 D719,136 S * 12/2014 Schaal D14/205
 8,923,525 B2 * 12/2014 Saideh H04R 1/1033
 381/309
 D722,590 S * 2/2015 Lu D14/205
 D723,507 S * 3/2015 Zambelli D14/205
 D725,629 S * 3/2015 Kiuchi D14/205
 D725,630 S * 3/2015 Nakagawa D14/205
 D729,378 S * 5/2015 Autrey D23/398
 D734,296 S * 7/2015 Paterson D14/205
 D737,297 S * 8/2015 Moon D14/486
 D738,350 S * 9/2015 Brunner D14/205

D739,842 S * 9/2015 Birger D14/205
 D742,357 S * 11/2015 Chung D14/205
 D750,041 S * 2/2016 Birger D14/205
 D775,604 S * 1/2017 Kimura D14/203.7
 D787,469 S * 5/2017 Djohar D14/205
 D796,475 S * 9/2017 Wang D14/205
 D809,478 S * 2/2018 Arimoto D14/205
 D813,837 S * 3/2018 Paterson D14/205
 D838,687 S * 1/2019 Wu D14/205
 D843,967 S * 3/2019 Paterson D14/205
 D848,395 S * 5/2019 Kelley D14/205
 D851,062 S * 6/2019 Saule D14/205
 D851,627 S * 6/2019 ter Laag D14/205
 D857,655 S * 8/2019 Saule D14/205
 D858,481 S * 9/2019 Saule D14/205
 D860,161 S * 9/2019 Xia D14/205
 D860,163 S * 9/2019 Xia D14/205
 10,405,079 B2 * 9/2019 Levine H04R 1/1033
 10,405,081 B2 * 9/2019 Hviid H04N 5/2257
 2018/0270556 A1 * 9/2018 Kelley H04R 1/105
 2019/0052966 A1 * 2/2019 Hara H04R 5/0335
 2019/0230429 A1 * 7/2019 Bozaglo H04R 1/08

FOREIGN PATENT DOCUMENTS

JP D1337829 S 8/2008
 JP D1576082 S 5/2017
 TW D191633 7/2018

OTHER PUBLICATIONS

Taiwan IPO Search Report issued in Taiwanese Design Application No. 108301044, completed Oct. 10, 2019, and English translation thereof (2 pages).

* cited by examiner

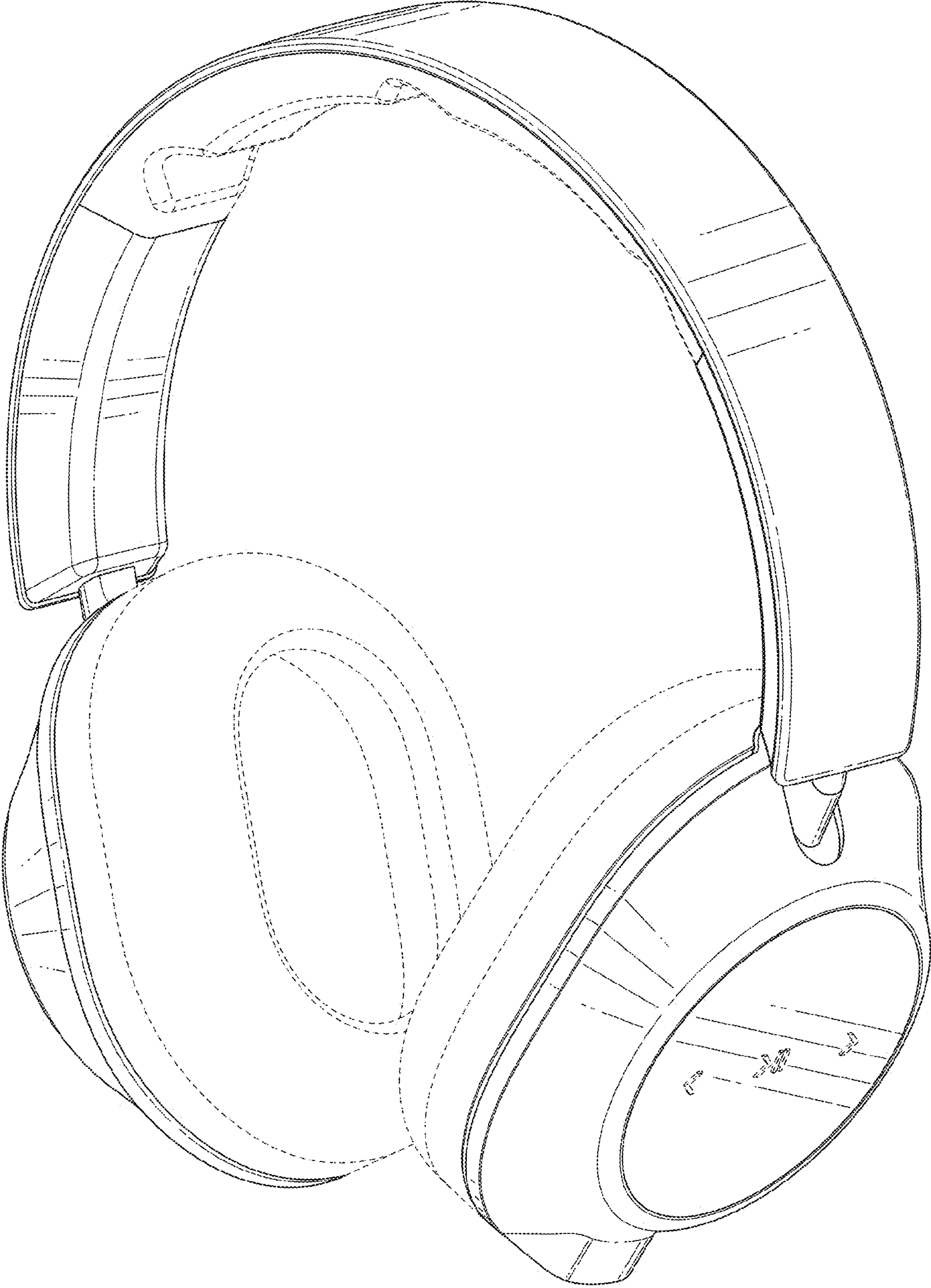


FIG. 1



FIG. 2



FIG. 3

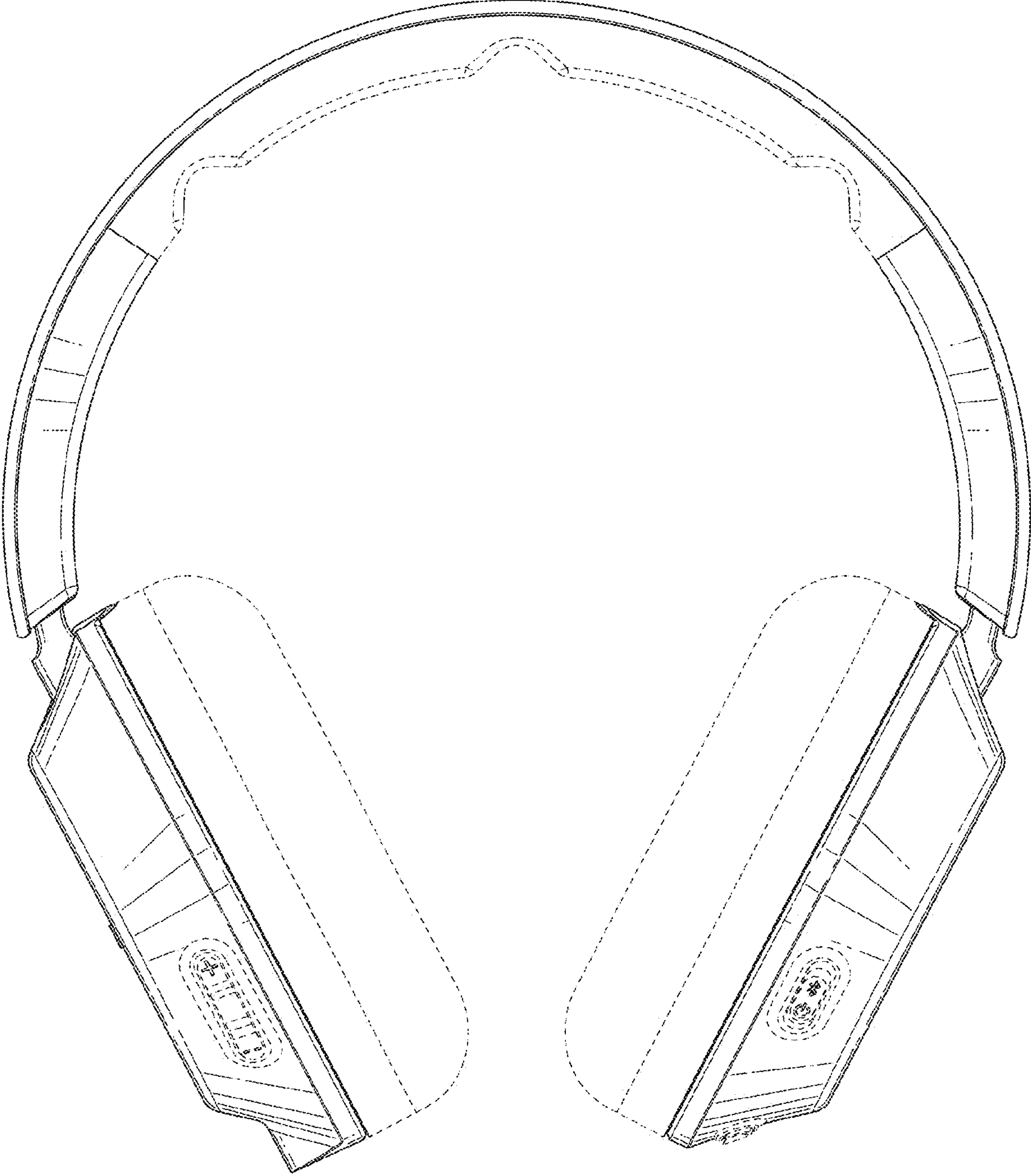


FIG. 4

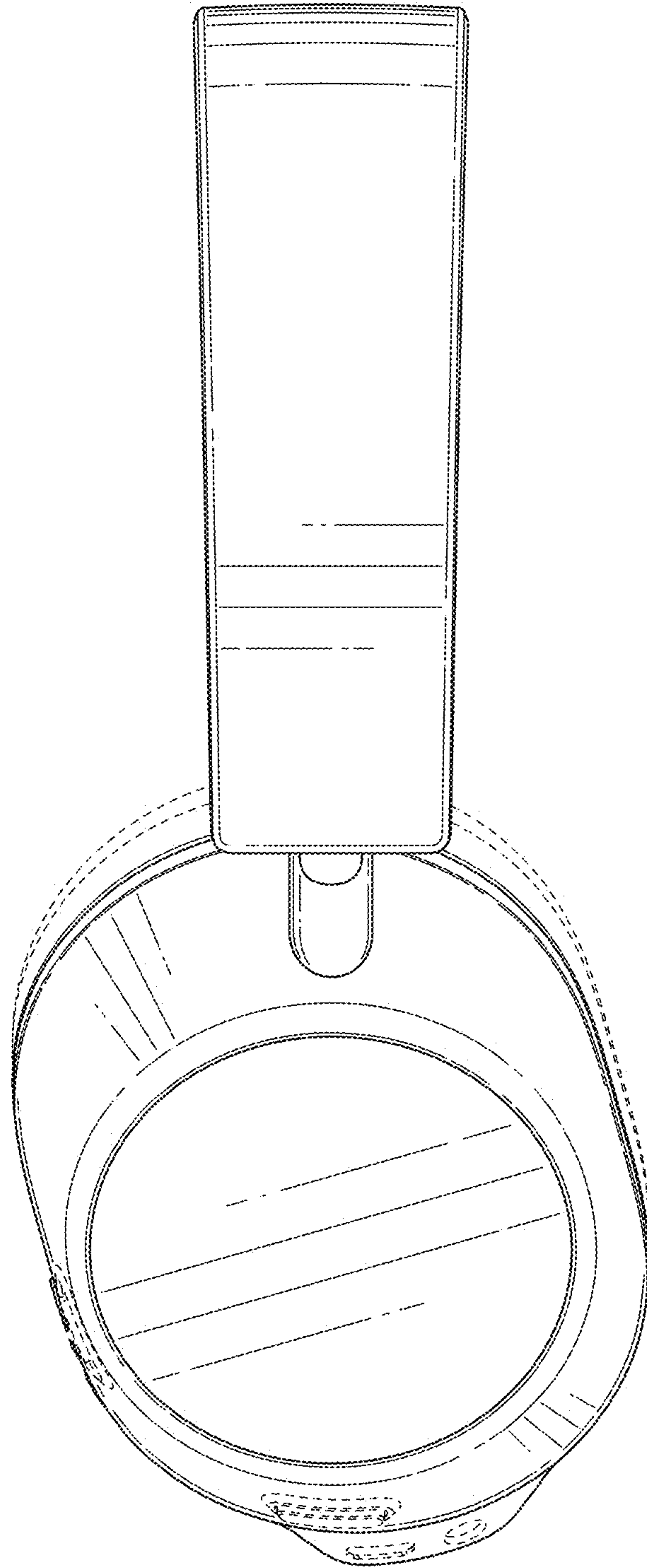


FIG. 5

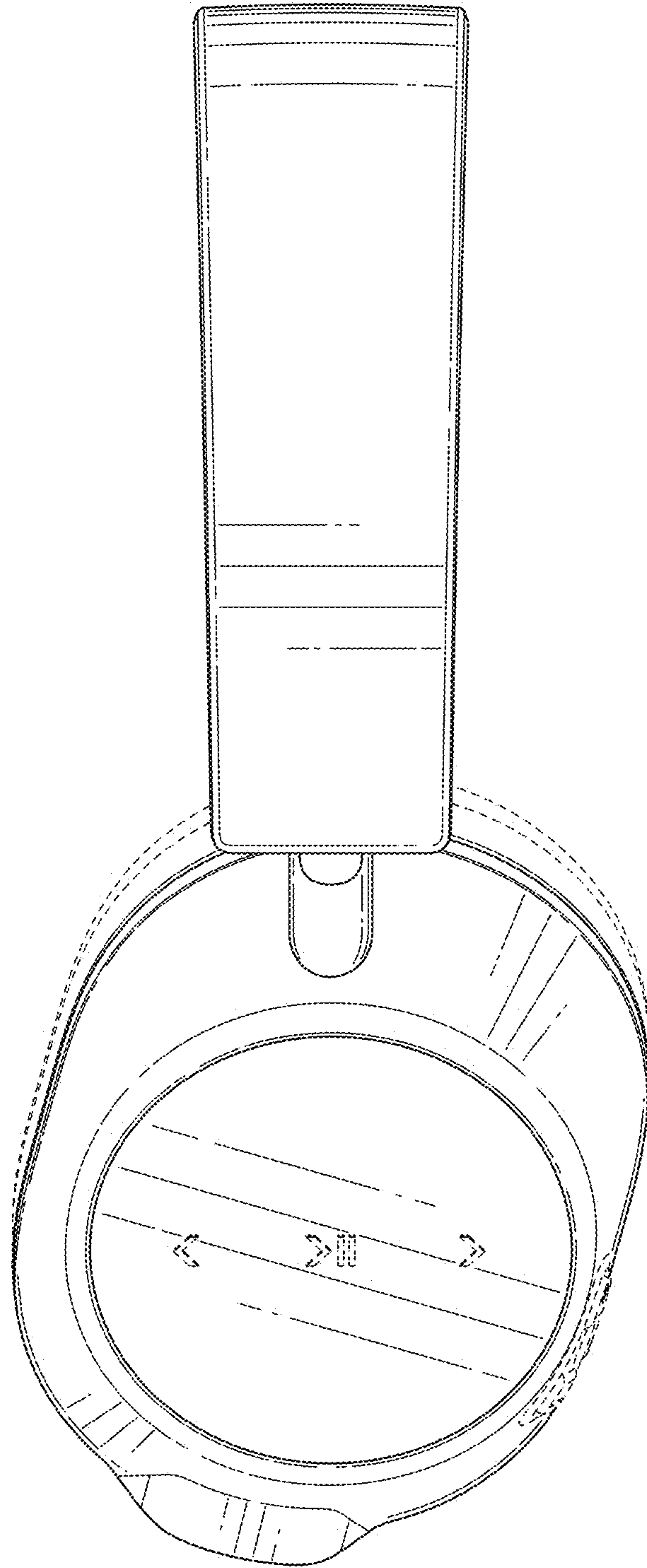


FIG. 6

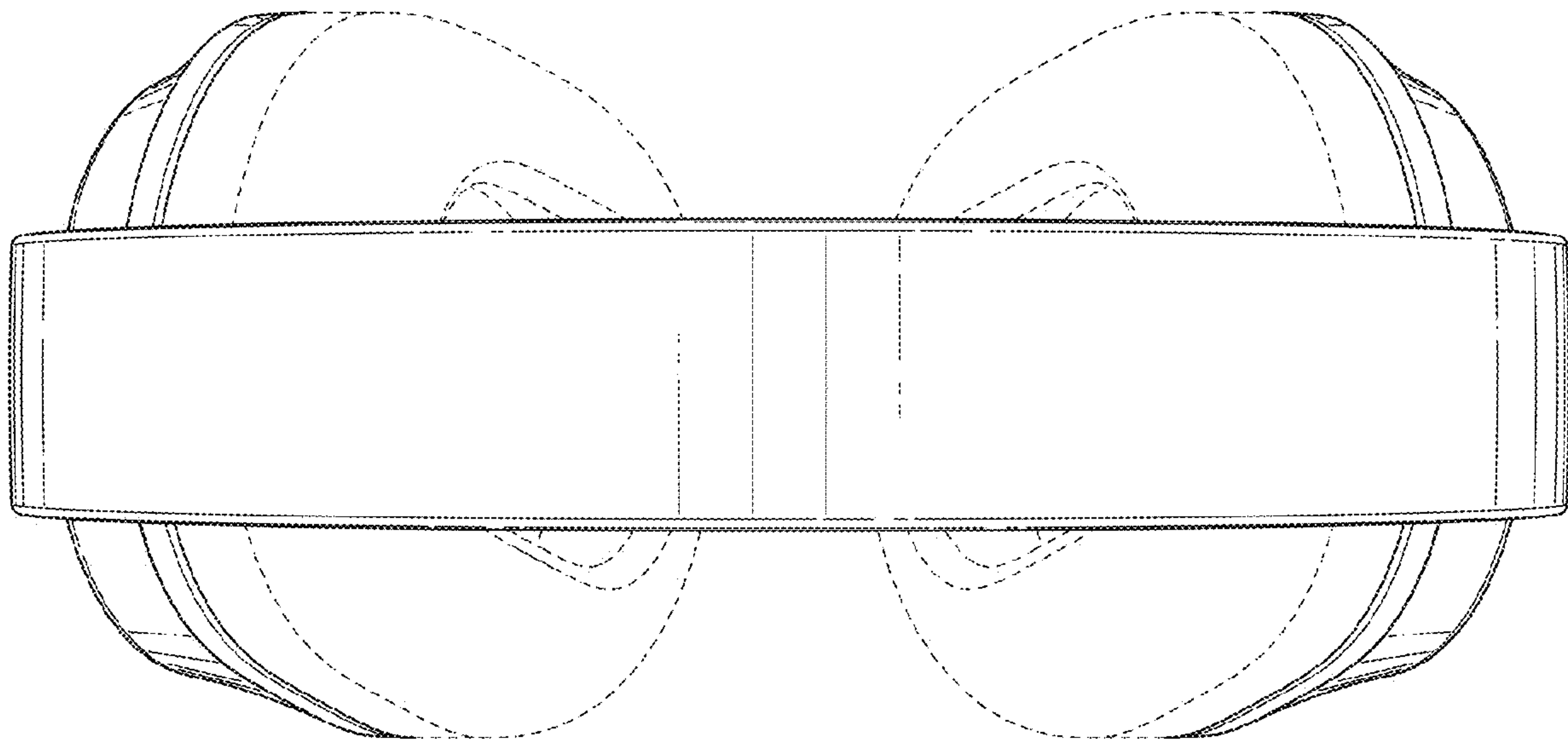


FIG. 7

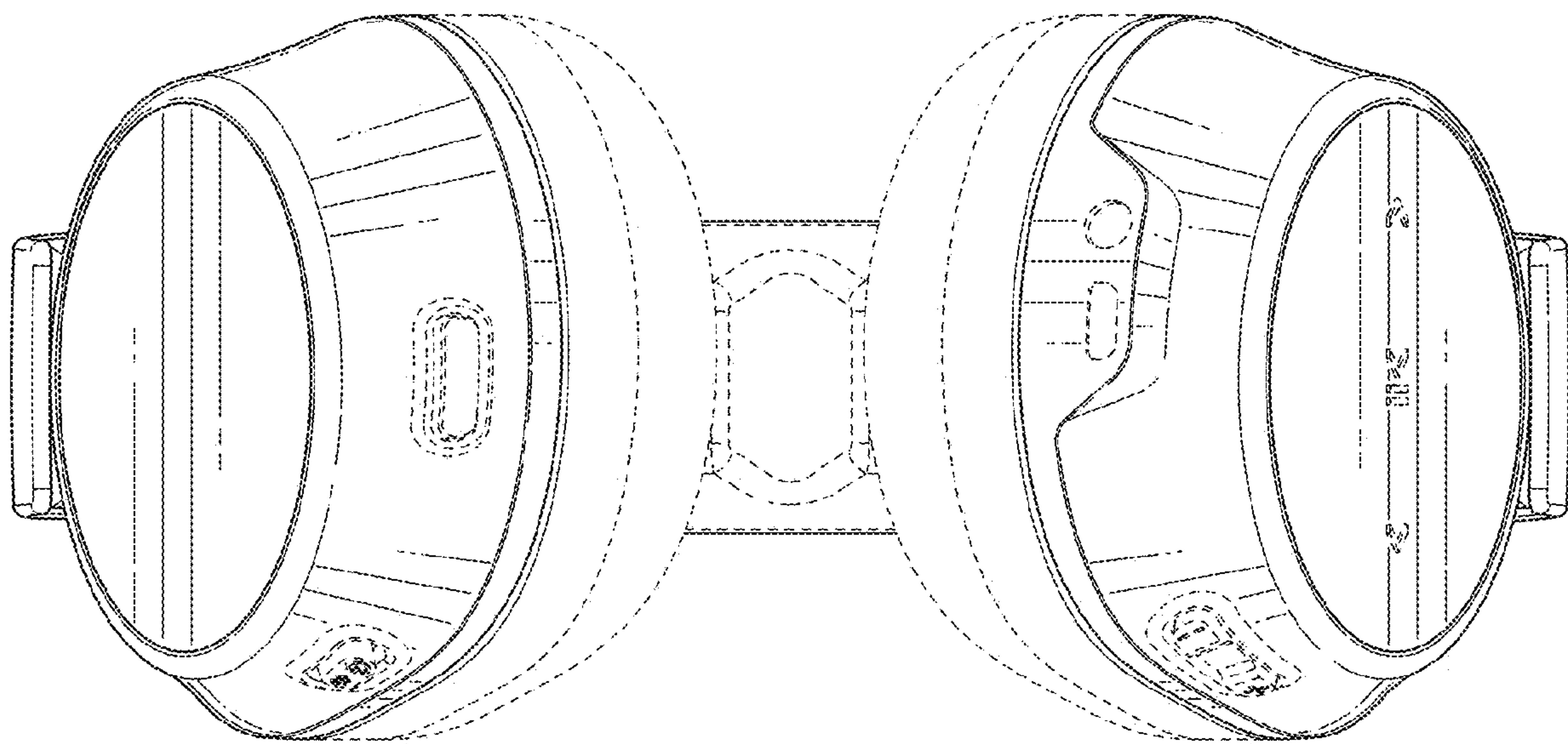


FIG. 8