



US00D876387S

(12) **United States Design Patent**
Liu

(10) **Patent No.:** **US D876,387 S**

(45) **Date of Patent:** **** Feb. 25, 2020**

(54) **HEADPHONE**

(71) Applicant: **Suyun Liu, Jiangxi (CN)**

(72) Inventor: **Suyun Liu, Jiangxi (CN)**

(**) Term: **15 Years**

(21) Appl. No.: **29/658,543**

(22) Filed: **Aug. 1, 2018**

(51) **LOC (12) Cl.** **14-01**

(52) **U.S. Cl.**

USPC **D14/205**

(58) **Field of Classification Search**

USPC D14/205, 206, 226, 372; D29/112;
2/209; 181/129, 130, 135; 379/430, 431;
381/380, 381, 374, 122, 370, 371;
455/90.3, 575.1, 569.1

CPC H04R 25/00; H04R 1/1066; H04R 1/1016;
H04R 5/033; H04R 5/0335

See application file for complete search history.

(56) **References Cited**

U.S. PATENT DOCUMENTS

- 3,104,398 A * 9/1963 Georg A61F 11/14
2/209
- D505,415 S * 5/2005 Han D14/223
- D519,497 S * 4/2006 Komiyama D14/223
- D531,165 S * 10/2006 Rath D14/206
- D538,261 S * 3/2007 Taylor D14/205
- D541,255 S * 4/2007 Taylor D14/205
- D542,774 S * 5/2007 Rausch D14/206
- D544,650 S * 6/2007 Westerdal D29/112
- D566,688 S * 4/2008 Wang D14/206
- D589,932 S * 4/2009 Komiyama D14/205
- D591,263 S * 4/2009 Shimizu D14/205
- D602,908 S * 10/2009 Ham D14/206
- D625,703 S * 10/2010 Kolton D14/205
- D628,189 S * 11/2010 Rath D14/206
- D628,554 S * 12/2010 Tedja D14/205
- D637,579 S * 5/2011 Hamaura D14/205

- D641,725 S * 7/2011 Chong D14/205
- D641,727 S * 7/2011 Krauss D14/206
- D642,544 S * 8/2011 Kataoka D13/168
- D648,706 S * 11/2011 Gresko D14/205
- D651,586 S * 1/2012 Lee D14/205
- D651,764 S * 1/2012 Gresko A61F 11/14
D29/112
- D652,406 S * 1/2012 Lee D14/205
- 8,139,807 B2 * 3/2012 Reiss H04R 1/1083
381/371
- D665,773 S * 8/2012 Behringer D14/193
- D666,990 S * 9/2012 Komiyama D14/205
- D668,240 S * 10/2012 Brandis D14/206
- D669,450 S * 10/2012 Katsumata D14/205
- D669,574 S * 10/2012 Nordstrom A61F 11/14
D14/205
- D673,136 S * 12/2012 Kelly D14/205

(Continued)

FOREIGN PATENT DOCUMENTS

EM 005512548-0004 * 7/2018

Primary Examiner — Paula Allen Greene

(74) *Attorney, Agent, or Firm* — Justin Lampel

(57) **CLAIM**

The ornamental design for a headphone, as shown and described.

DESCRIPTION

FIG. 1 is a perspective view of a headphone showing my new design;

FIG. 2 is a front side view thereof;

FIG. 3 is a rear side view thereof;

FIG. 4 is a right side view thereof;

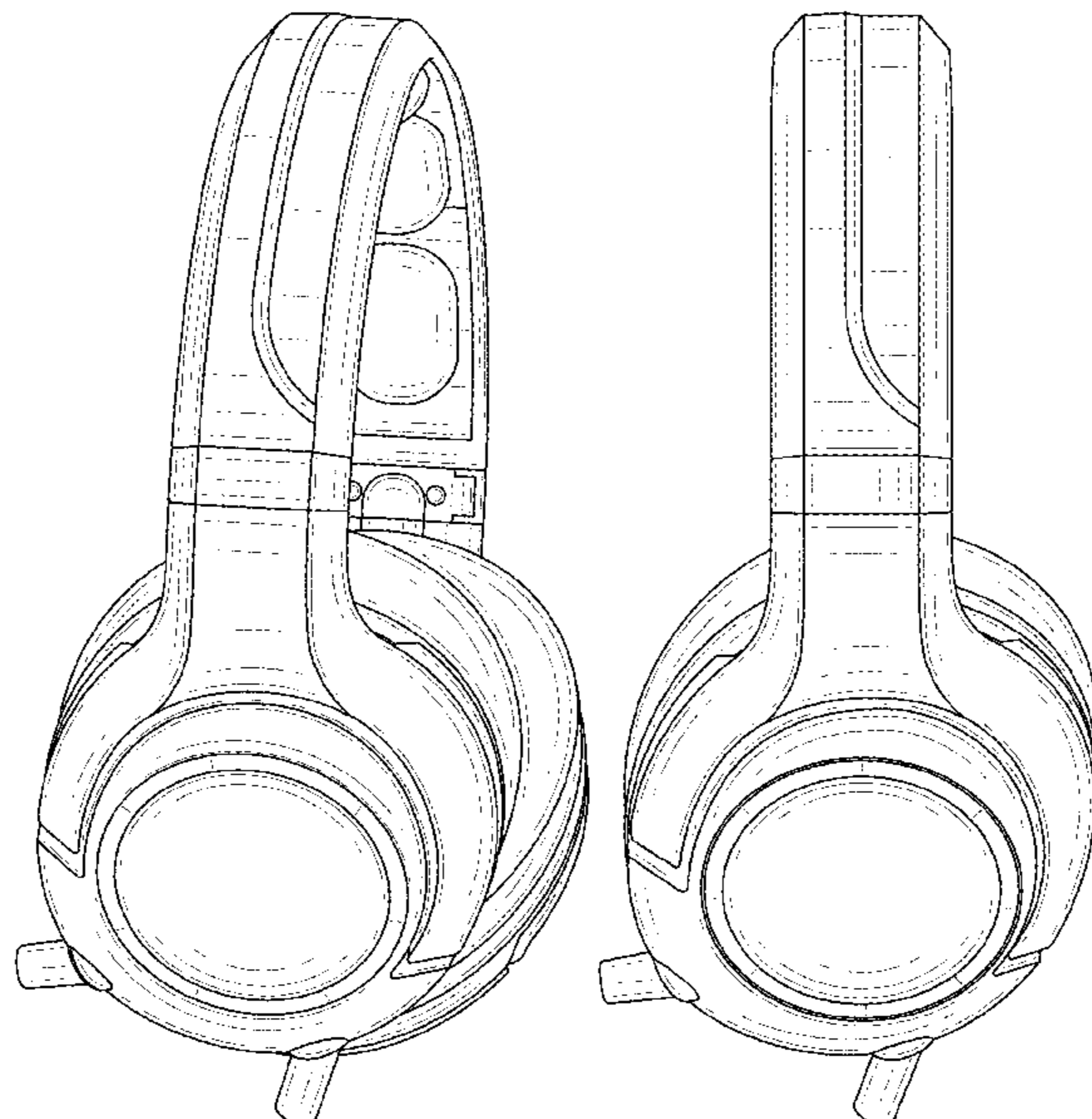
FIG. 5 is a left side view thereof;

FIG. 6 is a bottom plan view thereof; and,

FIG. 7 is a top plan view thereof.

The broken lines depict environment that forms no part of the claimed design.

1 Claim, 7 Drawing Sheets



(56)

References Cited

U.S. PATENT DOCUMENTS

D677,243 S *	3/2013	Kitayama	D14/205	D747,291 S *	1/2016	Lee	D14/205
D683,717 S *	6/2013	Kelly	D14/205	D753,884 S *	4/2016	Bonney	D29/112
D691,579 S *	10/2013	Lee	D14/205	D759,626 S *	6/2016	Wagner	D14/205
D692,410 S *	10/2013	Brunner	H04S 1/005	D760,689 S *	7/2016	Gecawicz	D14/206
				D14/206	D782,999 S *	4/2017	Spio	D14/206
8,559,665 B2 *	10/2013	Schmidt	H04R 1/1066	D787,470 S *	5/2017	Kelly	D14/205
				381/370	D788,071 S *	5/2017	Logan	D14/205
D693,791 S *	11/2013	Troy	D14/205	D806,675 S *	1/2018	Fuglsang	D14/206
D699,702 S *	2/2014	Chen	D14/205	D811,365 S *	2/2018	Czaniecki	D14/205
D701,193 S *	3/2014	Kelly	D14/205	D812,035 S *	3/2018	Petersen	D14/205
D713,375 S *	9/2014	Dedinas	D14/206	D815,614 S *	4/2018	Tzeng	D14/205
D713,376 S *	9/2014	Dedinas	D14/206	D824,362 S *	7/2018	Probst	D14/206
D729,196 S *	5/2015	Liu	D14/205	D828,326 S *	9/2018	Ye	D14/205
9,036,849 B2 *	5/2015	Thompson	H04R 1/083	D836,600 S *	12/2018	Lee	D14/206
				381/122	D845,928 S *	4/2019	Lee	D14/206
D733,092 S *	6/2015	Gan	D14/205	D847,117 S *	4/2019	Summerson	D14/206
D740,256 S *	10/2015	Carr	D14/206	D855,033 S *	7/2019	Martin	D14/205
D741,286 S *	10/2015	Brennwald	D14/205	2001/0017925 A1 *	8/2001	Ceravolo	H04M 1/05
D745,860 S *	12/2015	Logan	D14/206					381/370
					2011/0194721 A1 *	8/2011	Schmidt	H04R 1/1066
									381/370

* cited by examiner

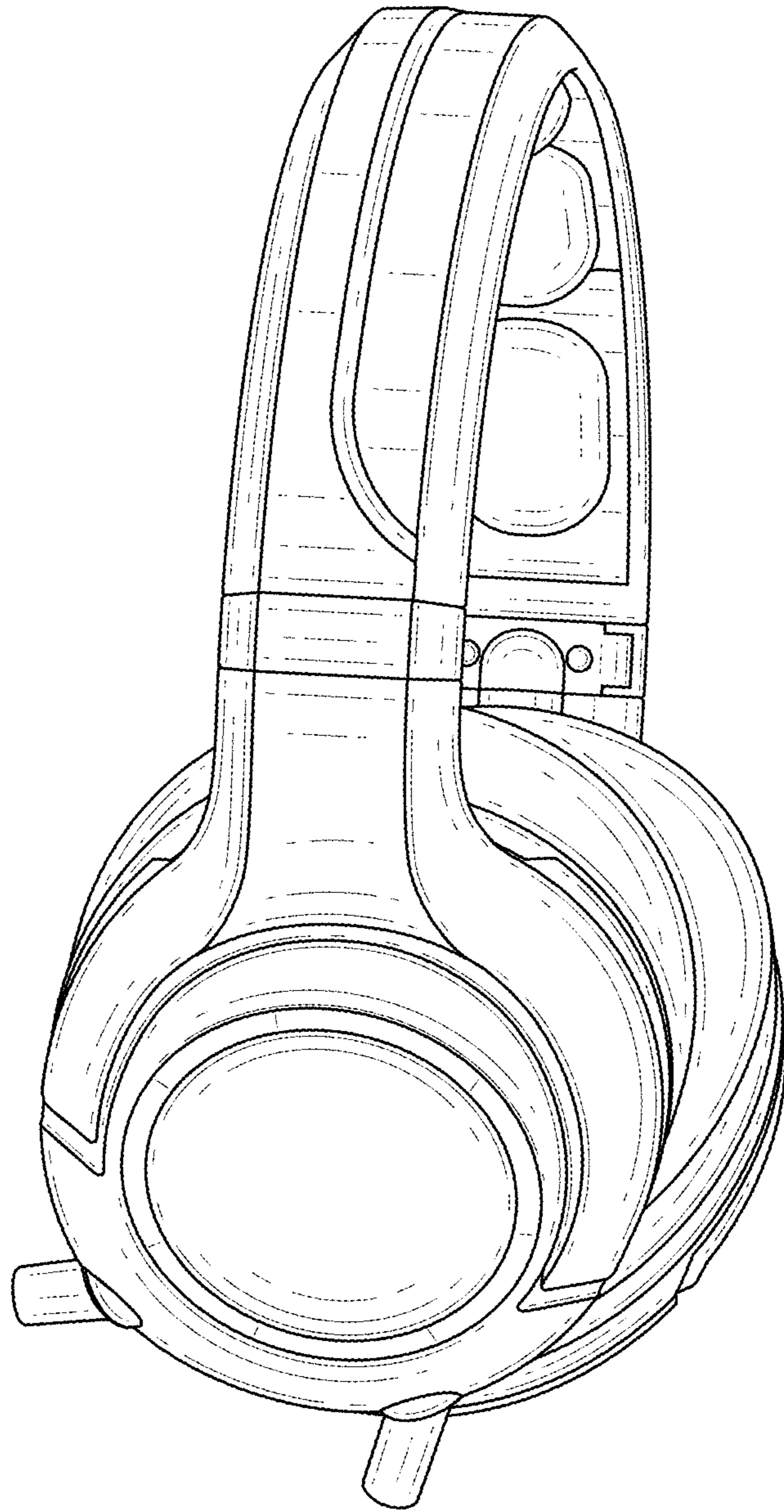


FIG. 1

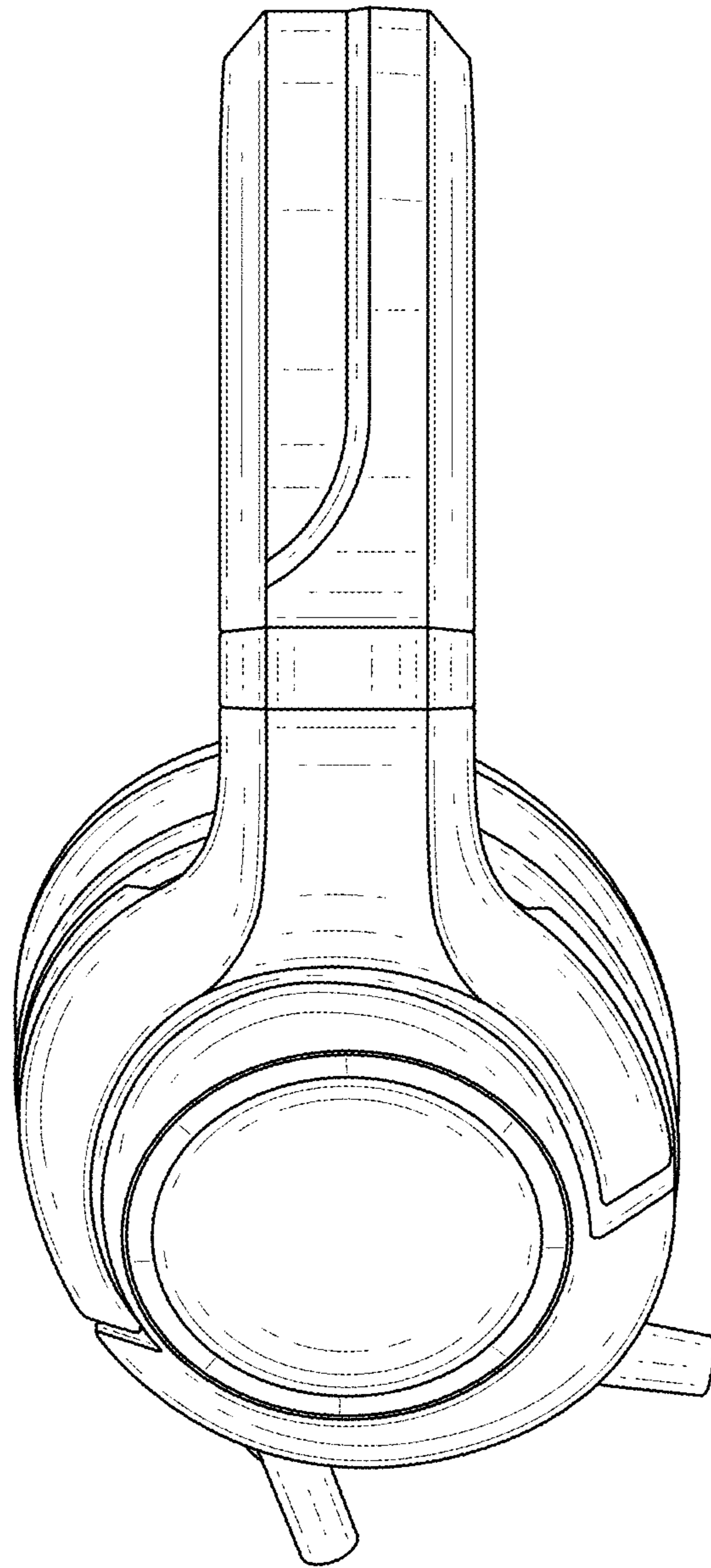


FIG. 2

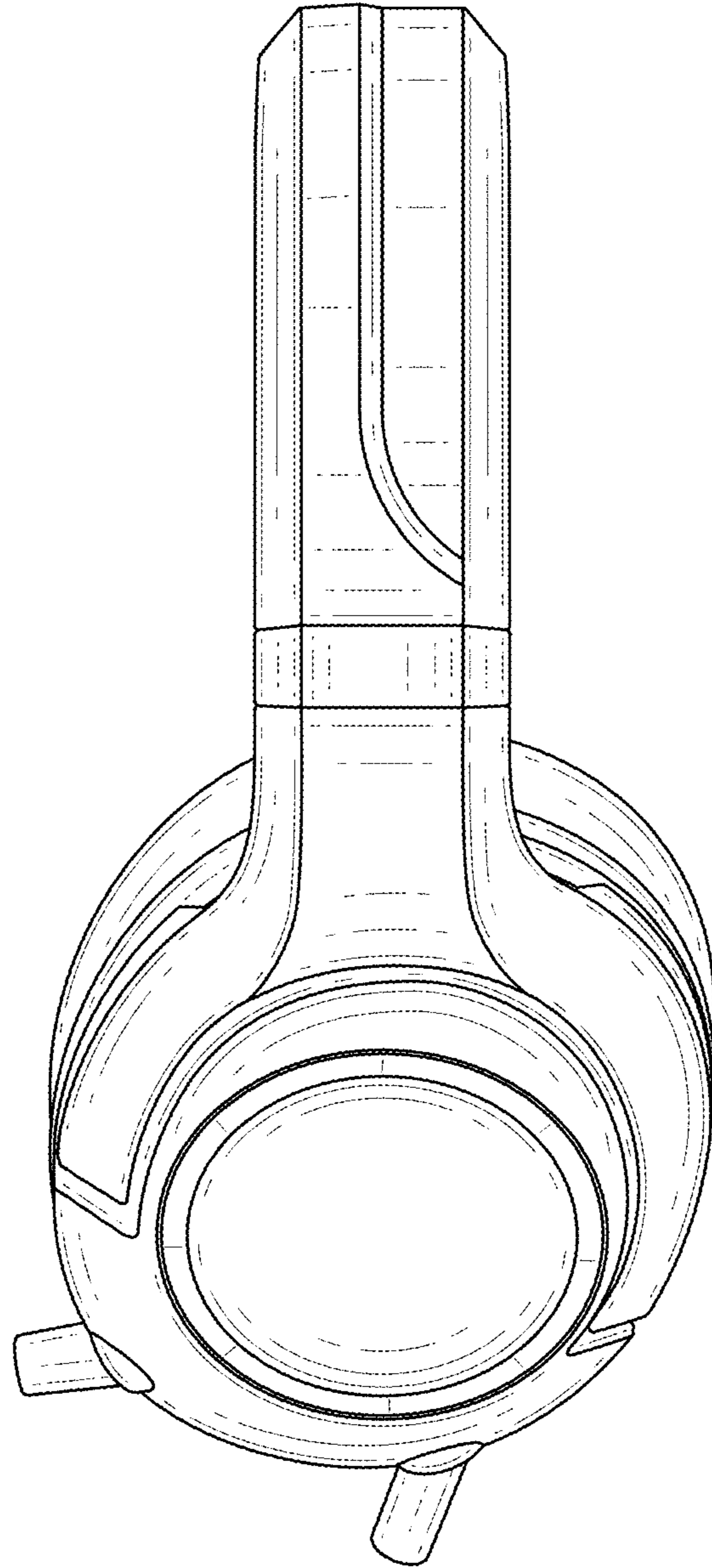


FIG. 3



FIG. 4



FIG. 5

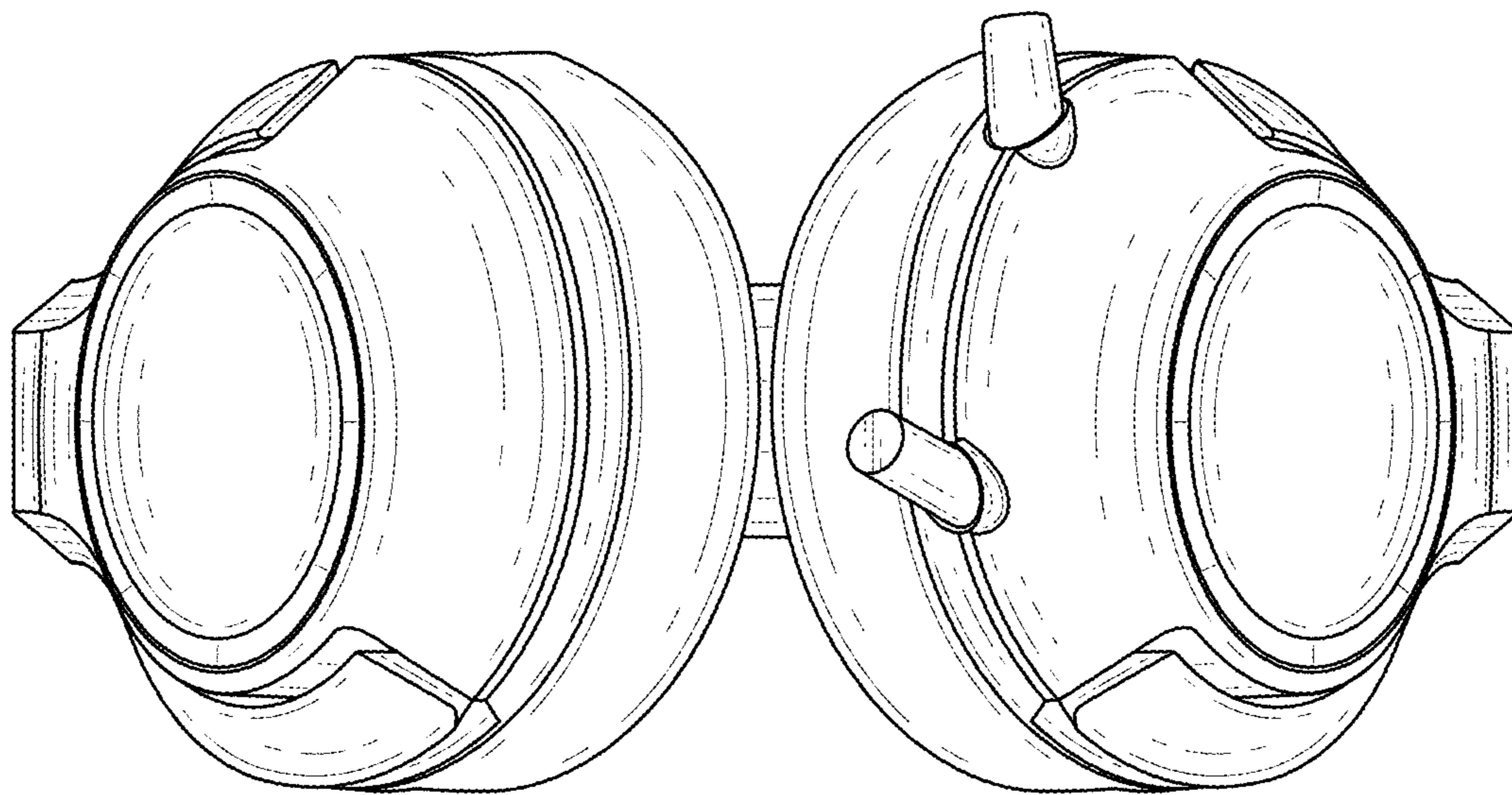


FIG. 6

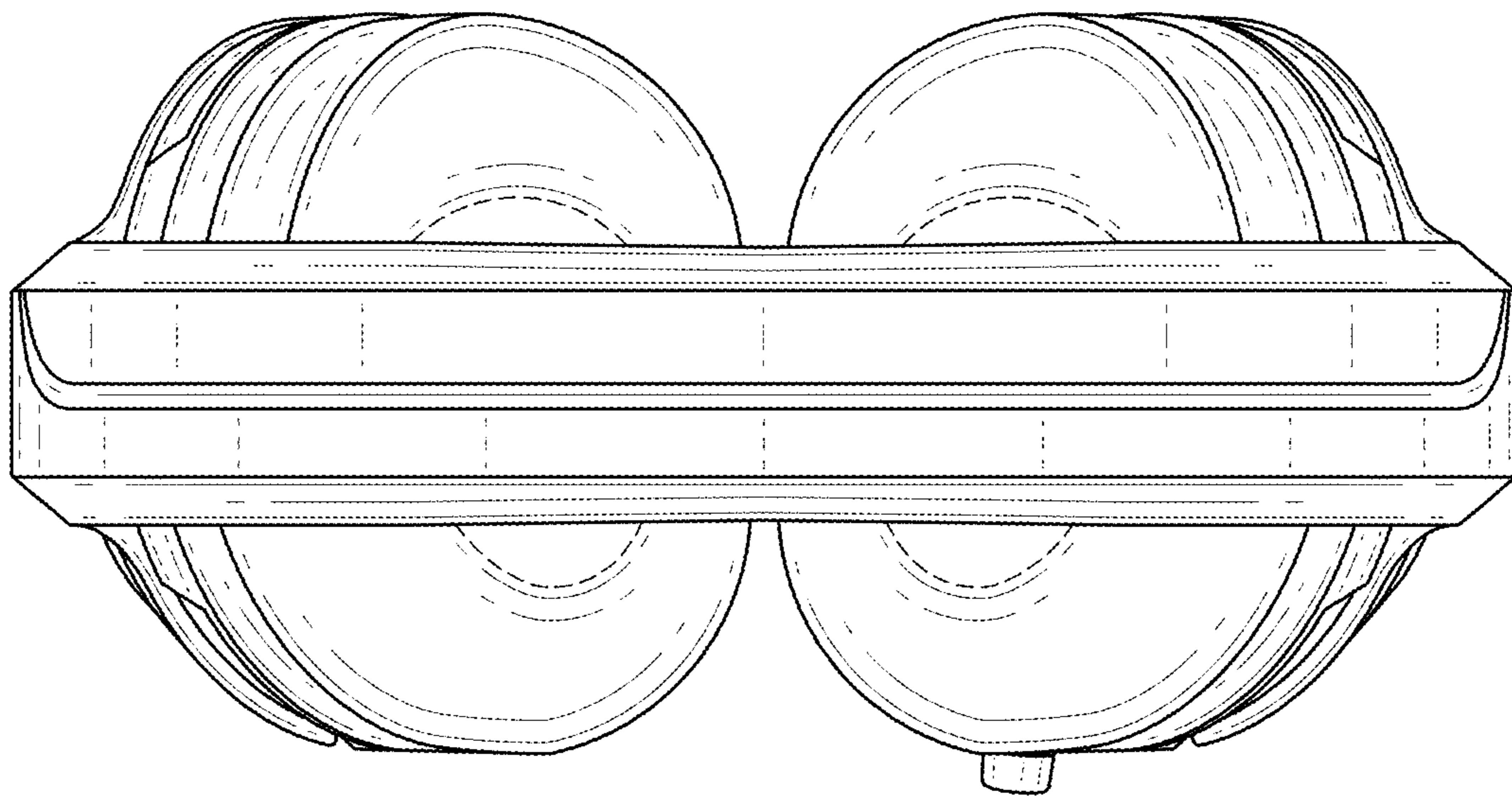


FIG. 7