



US00D876382S

(12) **United States Design Patent** (10) **Patent No.:** **US D876,382 S**
Hong (45) **Date of Patent:** **** Feb. 25, 2020**

(54) **WALKIE TALKIE**
(71) Applicant: **Shaohua Hong**, Fujian (CN)
(72) Inventor: **Shaohua Hong**, Fujian (CN)
(**) Term: **15 Years**
(21) Appl. No.: **29/638,582**
(22) Filed: **Feb. 28, 2018**

D711,346 S * 8/2014 Ismail D14/137
D726,134 S * 4/2015 Prendes D10/104.1
D753,089 S * 4/2016 Shepher D14/138 R
D794,587 S * 8/2017 Page D14/137

(30) **Foreign Application Priority Data**

Aug. 28, 2017 (CN) 2017 3 0400338

(51) **LOC (12) Cl.** **14-03**
(52) **U.S. Cl.**
USPC **D14/137**

(58) **Field of Classification Search**
USPC D14/137, 138 AA, 138 R, 138 G, 203.7,
D14/147, 148, 218, 250, 191, 159, 203.1,
D14/203.3, 158, 185, 155, 168, 171, 172,
D14/188, 214, 154, 141.1, 140, 142, 144,
D14/149, 150, 139; D10/65, 106.1,
D10/104.1; D13/168
CPC H04B 1/38; H04B 1/3827; H04B 1/3833;
H04B 2001/3861

See application file for complete search history.

(56) **References Cited**

U.S. PATENT DOCUMENTS

D338,011 S * 8/1993 Carter D14/137
D358,785 S * 5/1995 Flick D10/104.1
D377,320 S * 1/1997 McGuire D10/104.1
D385,878 S * 11/1997 Flick D14/155
D395,836 S * 7/1998 Morelli, Jr. D10/106.1
D462,333 S * 9/2002 Novak D13/168
D483,683 S * 12/2003 Brown D10/106.1
D630,198 S * 1/2011 Wilkens D14/240
D687,784 S * 8/2013 Sakai D13/168

OTHER PUBLICATIONS

Retevis RT20-Communicate Range Test in urban, Sep. 1, 2018, [online], [site visited Jun. 5, 2019]. Retrieved from url:https://www.youtube.com/watch?v=XTeoKBIHtEc (Year: 2018).*
Retevis Rt20 Mini Walkie Talkie Intercom, no date available, site visited Jun. 4, 2019]. Retrieved from url:https://articulo.mercadolibre.cl/MLC-472436408-retevis-rt20-mini-walkie-talkie-intercom-_JM?quantity=1 (Year: 2018).*
RT22 Short Antenna 2W ultra-thin radio, as archived by the wayback machine on Oct. 17, 2017, [online], [site visited Jun. 6, 2019]. Retrieved from url:https://web.archive.org/web/20171017175114/http://www.retevis.com/rt22 (Year: 2017).*

* cited by examiner

Primary Examiner — Cathron C Brooks
Assistant Examiner — Tracey J Bell

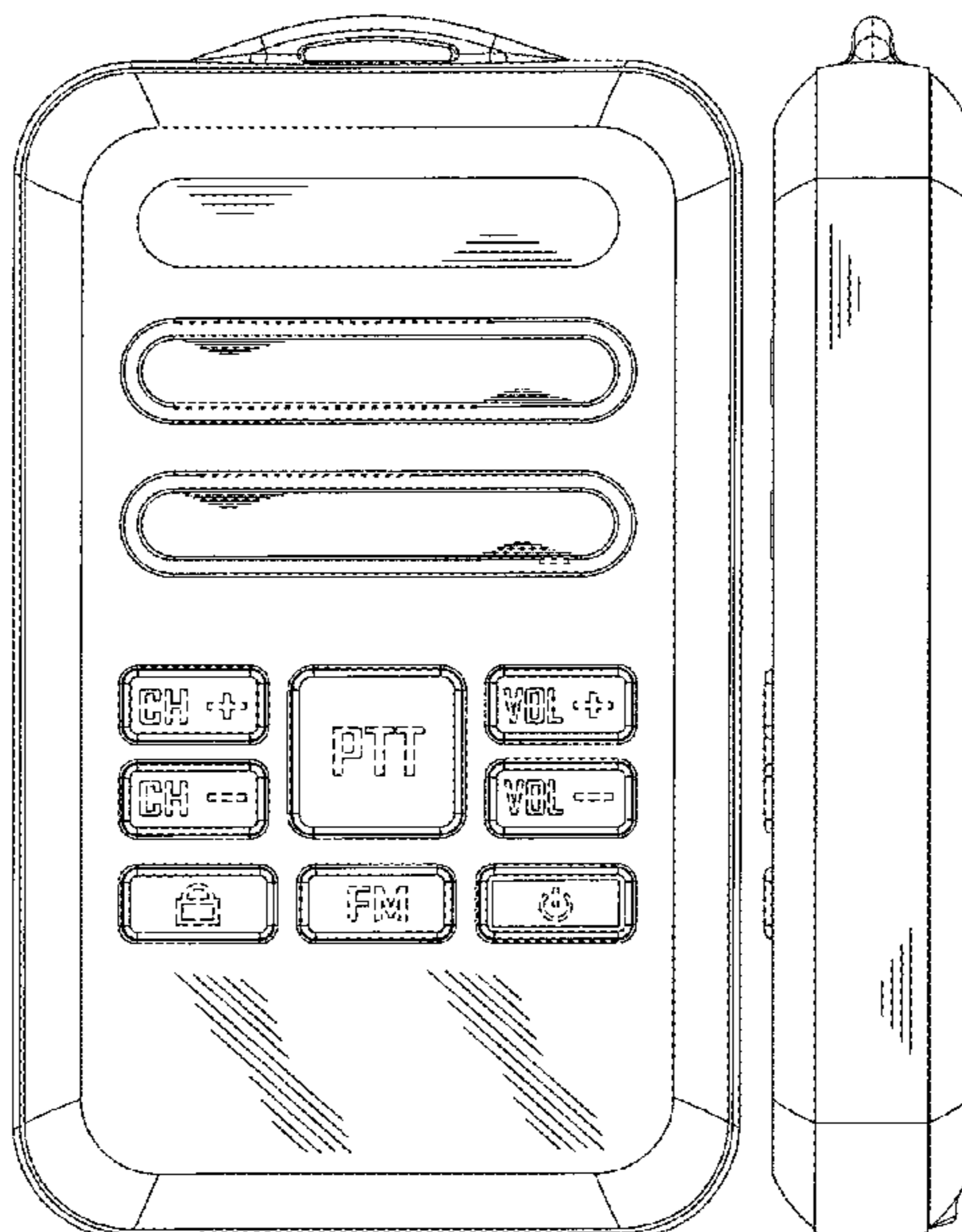
(57) **CLAIM**

The ornamental design for a walkie talkie, as shown and described.

DESCRIPTION

FIG. 1 is a front elevational view of a walkie talkie showing my new design;
FIG. 2 is a rear elevational view thereof;
FIG. 3 is a left side view thereof;
FIG. 4 is a right side view thereof;
FIG. 5 is a top plan view thereof;
FIG. 6 is a bottom plan view thereof;
FIG. 7 is a perspective view thereof; and,
FIG. 8 is another perspective view thereof.
The broken lines shown in the figures depict portions of the walkie talkie that form no part of the claimed design.

1 Claim, 8 Drawing Sheets



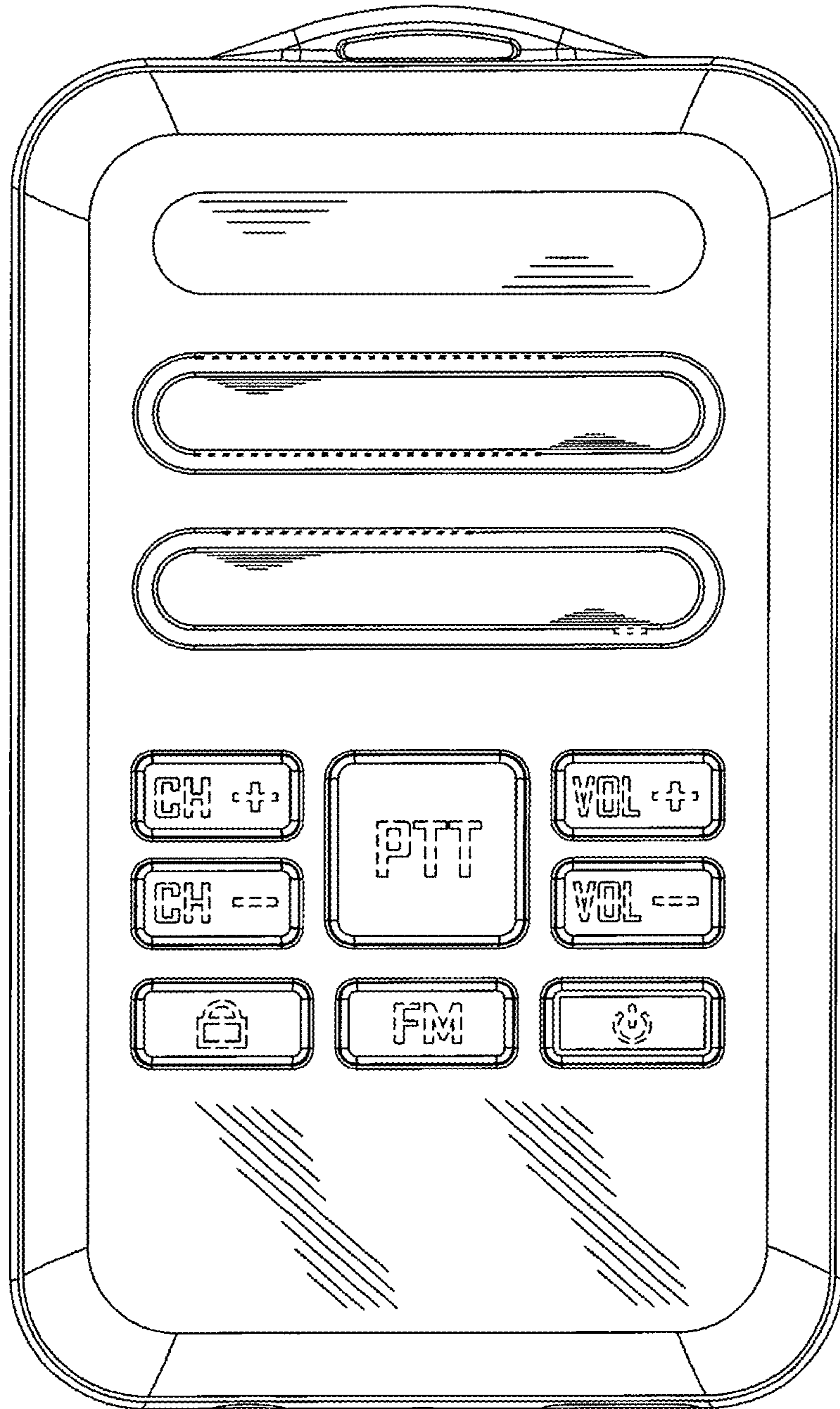


Fig. 1

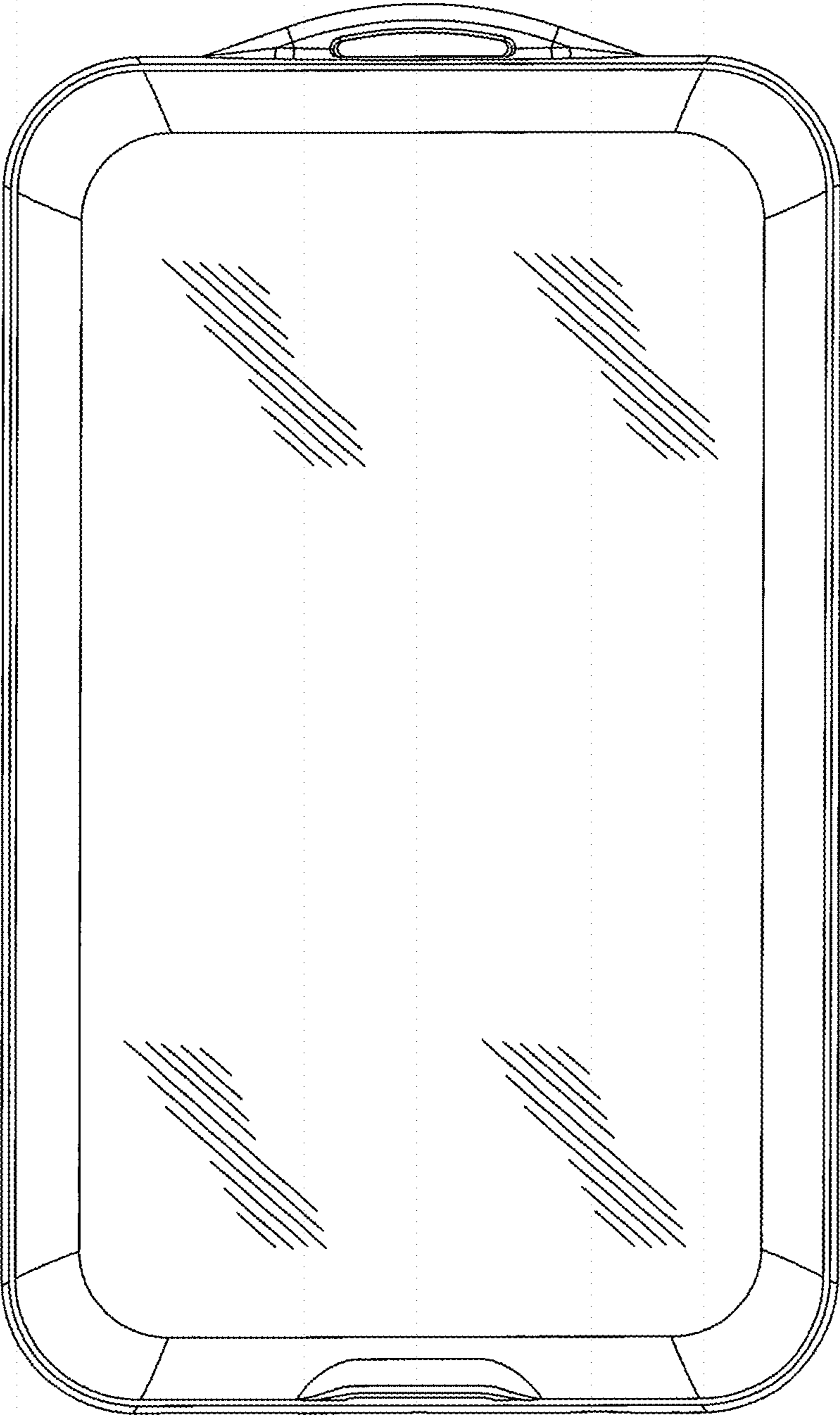


Fig. 2

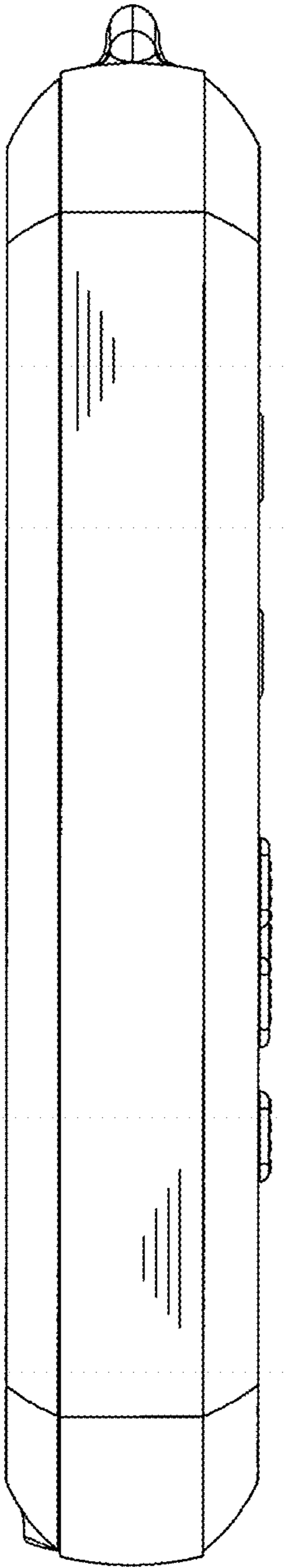


Fig. 3

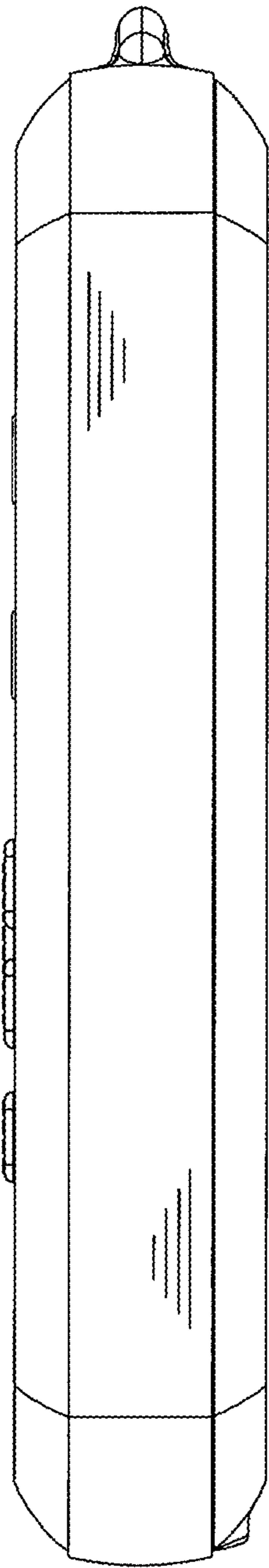


Fig. 4

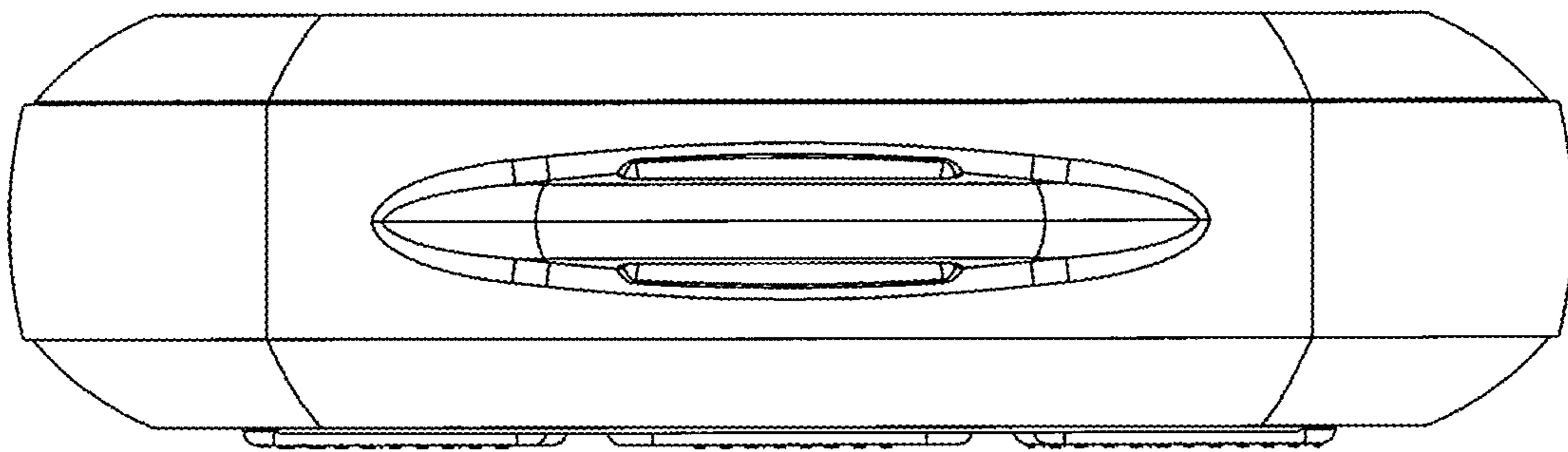


Fig. 5

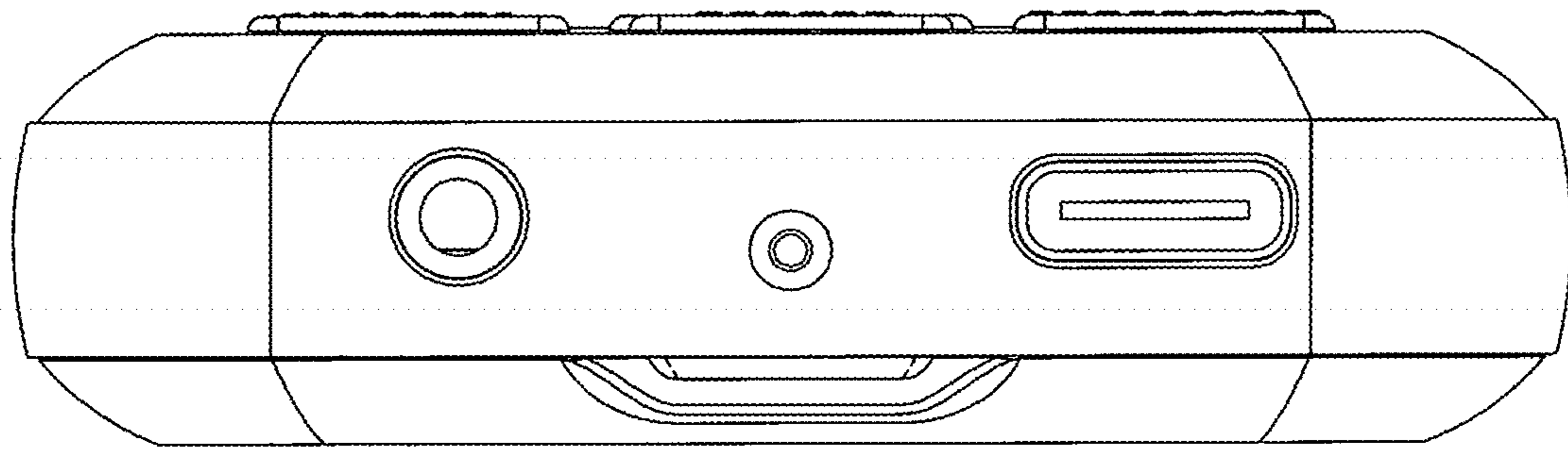


Fig. 6

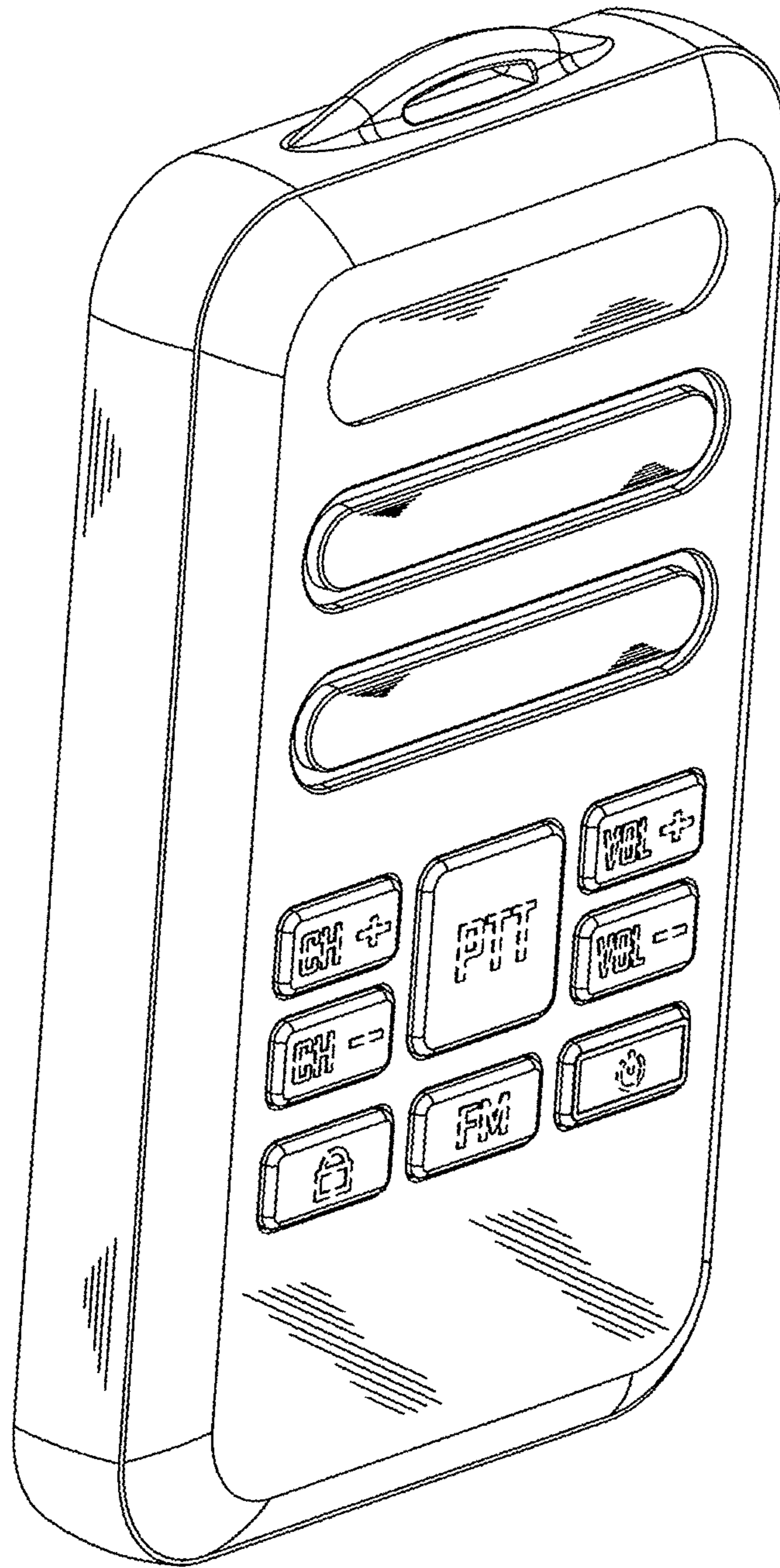


Fig. 7

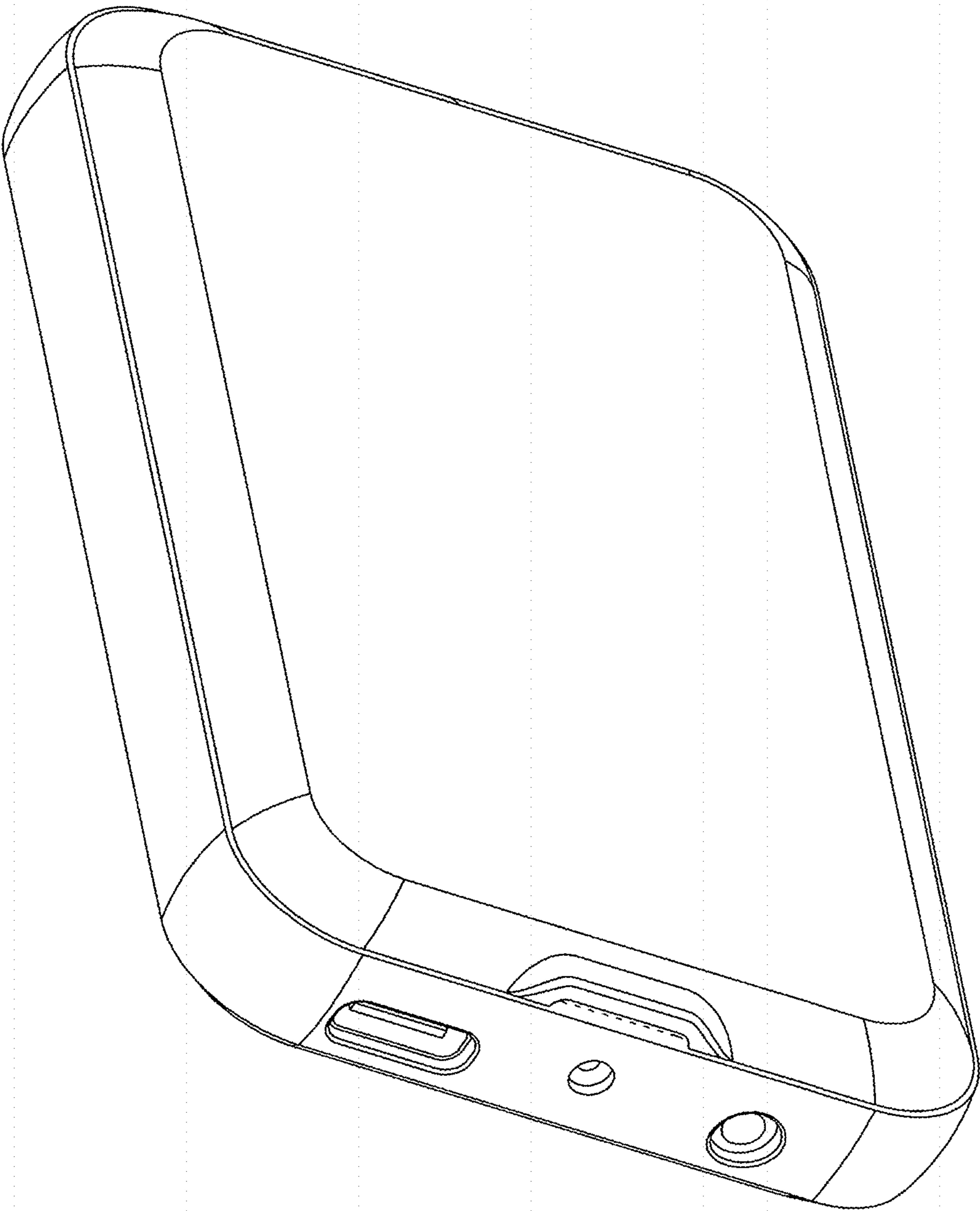


Fig. 8