



US00D876381S

(12) **United States Design Patent** (10) **Patent No.:** **US D876,381 S**
Suzuki (45) **Date of Patent:** **** Feb. 25, 2020**

(54) **PORTABLE WIRELESS COMMUNICATION DEVICE**

(71) Applicant: **JVC KENWOOD Corporation,**
Kanagawa (JP)

(72) Inventor: **Yasuhiro Suzuki,** Yokohama (JP)

(73) Assignee: **JVC KENWOOD CORPORATION,**
Yokohama-Shi, Kanagawa (JP)

(**) Term: **15 Years**

(21) Appl. No.: **29/631,091**

(22) Filed: **Dec. 27, 2017**

(30) **Foreign Application Priority Data**

Jul. 4, 2017 (JP) D2017-014406

(51) **LOC (12) Cl.** **14-03**

(52) **U.S. Cl.**
USPC **D14/137**

(58) **Field of Classification Search**
USPC D14/137, 138 R, 138 AA, 147, 148, 218,
D14/155, 159, 142, 225, 226, 191, 172,
D14/243, 204, 217, 188, 192, 194, 197,
D14/198; D21/517, 566; D10/104.1,
D10/104.2, 106.1, 65; D13/168;
D30/199

CPC H04B 1/3833; H04B 1/3827; H04B
2001/3861; H04M 1/0202; H04M 1/03;
H04M 1/035; G08B 21/0202

See application file for complete search history.

(56) **References Cited**

U.S. PATENT DOCUMENTS

D216,051 S * 11/1969 Boldt D14/194
D280,620 S * 9/1985 Toth D14/137
D281,975 S * 12/1985 Oyamada D14/191

4,646,072 A * 2/1987 Hughes G07C 9/00944
341/176
D302,157 S * 7/1989 Vories D14/192
D302,688 S * 8/1989 Toth D14/137
D303,667 S * 9/1989 Scheid D14/191
D406,584 S * 3/1999 Nagai D14/137
D421,261 S * 2/2000 Heuel D14/138 R
D439,243 S * 3/2001 Miyazaki D14/137

(Continued)

FOREIGN PATENT DOCUMENTS

CN 303415579 * 10/2015
CN 304747297 * 7/2018

(Continued)

OTHER PUBLICATIONS

Kenwood NX-P500, Mar. 10, 2018, by Whisky Kadman, HAM Radio, [online], [site visited Oct. 7, 2019]. Available from Internet, URL: <http://radioaficion.com/cms/kenwood-nx-p500/>.*

Primary Examiner — Jeffrey D Asch

(74) *Attorney, Agent, or Firm* — Cantor Colburn LLP

(57) **CLAIM**

The ornamental design for a portable wireless communication device, as shown and described.

DESCRIPTION

FIG. 1 is a perspective view of the portable wireless communication device.

FIG. 2 is a front view of FIG. 1;

FIG. 3 is a rear view of FIG. 1;

FIG. 4 is a top view of FIG. 1;

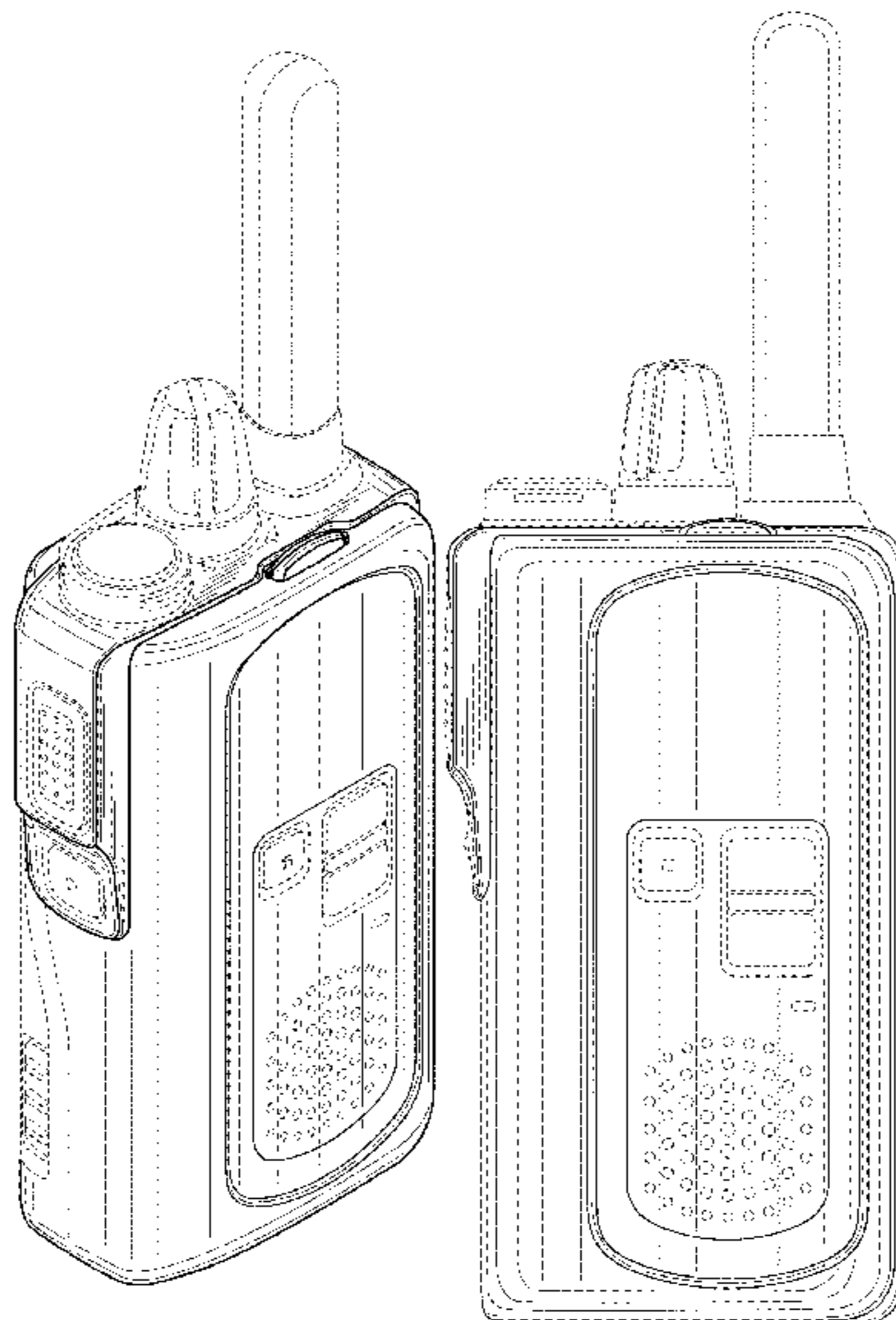
FIG. 5 is a bottom view of FIG. 1;

FIG. 6 is a right side view of FIG. 1; and,

FIG. 7 is a left side view of FIG. 1.

The broken lines in the drawings are for the purpose of illustrating portions of the portable wireless communication device that form no part of the claimed design.

1 Claim, 7 Drawing Sheets



(56)

References Cited

U.S. PATENT DOCUMENTS

D483,348 S * 12/2003 Nishii D14/188
D487,026 S * 2/2004 Fleetwood D10/104.1
D490,069 S * 5/2004 Lee D14/188
D490,786 S * 6/2004 Richards D14/137
D497,149 S * 10/2004 Daniels D10/104.1
D509,812 S * 9/2005 Mack D10/104.1
D528,097 S * 9/2006 Kim D14/138 G
D542,754 S * 5/2007 Neher D14/138 R
D576,611 S * 9/2008 Wilson D14/225
D595,684 S * 7/2009 Ganley D14/155
D653,225 S * 1/2012 Yong D14/137
D685,753 S * 7/2013 Kang D14/137
D700,157 S * 2/2014 Kang D14/137
D712,380 S * 9/2014 Hwang D14/218
D718,722 S * 12/2014 Asher D13/168
D735,157 S * 7/2015 Moriya D14/137
D769,138 S * 10/2016 Register D10/104.1
D774,935 S * 12/2016 Liu D10/104.1
D794,609 S * 8/2017 Meyer D14/218
D805,701 S * 12/2017 Li D30/199
9,854,648 B2 * 12/2017 Sekiyama G08B 5/36
D816,054 S * 4/2018 Nishizawa D14/137
D823,274 S * 7/2018 Hu D14/155
D831,601 S * 10/2018 Ooi D14/137
2011/0081030 A1 * 4/2011 Chiang H04B 1/0475
381/122

FOREIGN PATENT DOCUMENTS

JP D1521766 * 4/2015
JP D1597117 * 2/2018
JP D1619248 * 12/2018

* cited by examiner

FIG. 1

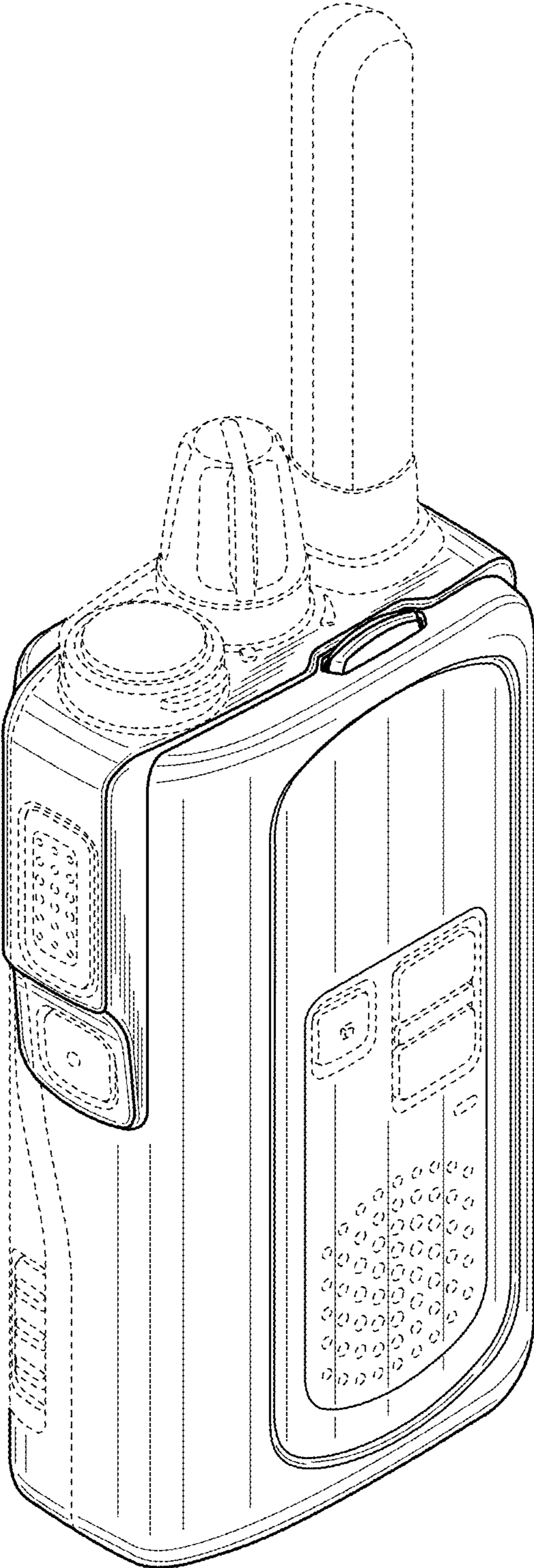


FIG. 2

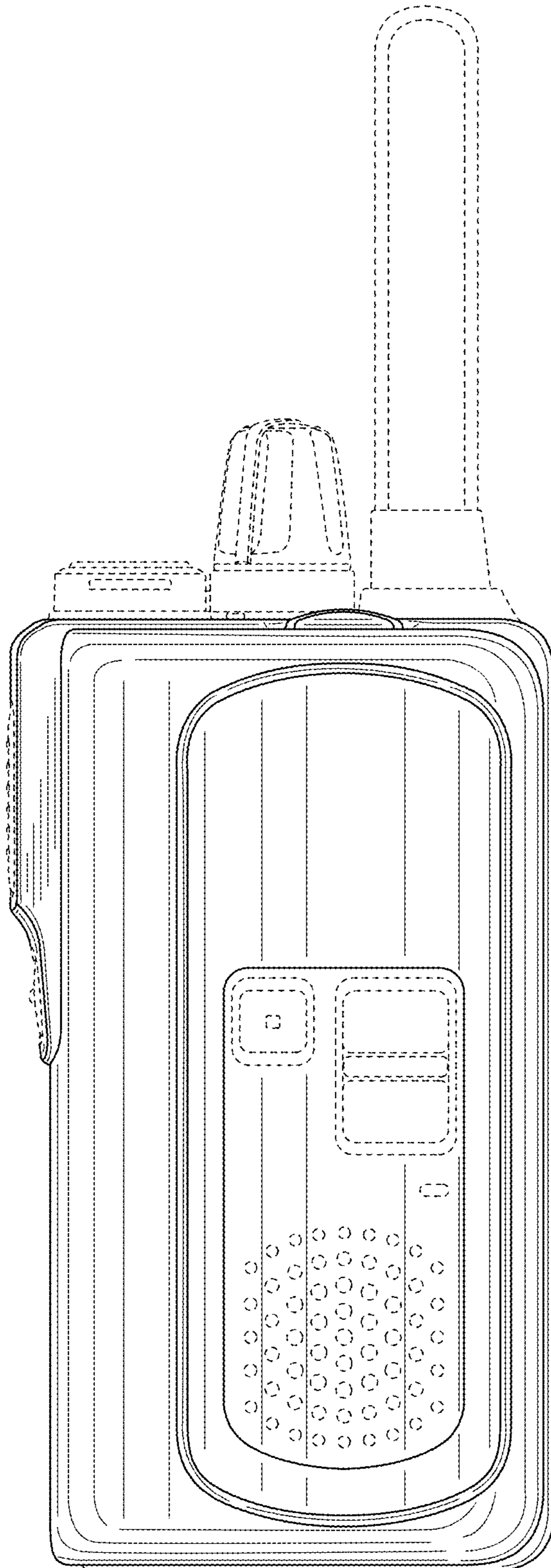


FIG. 3

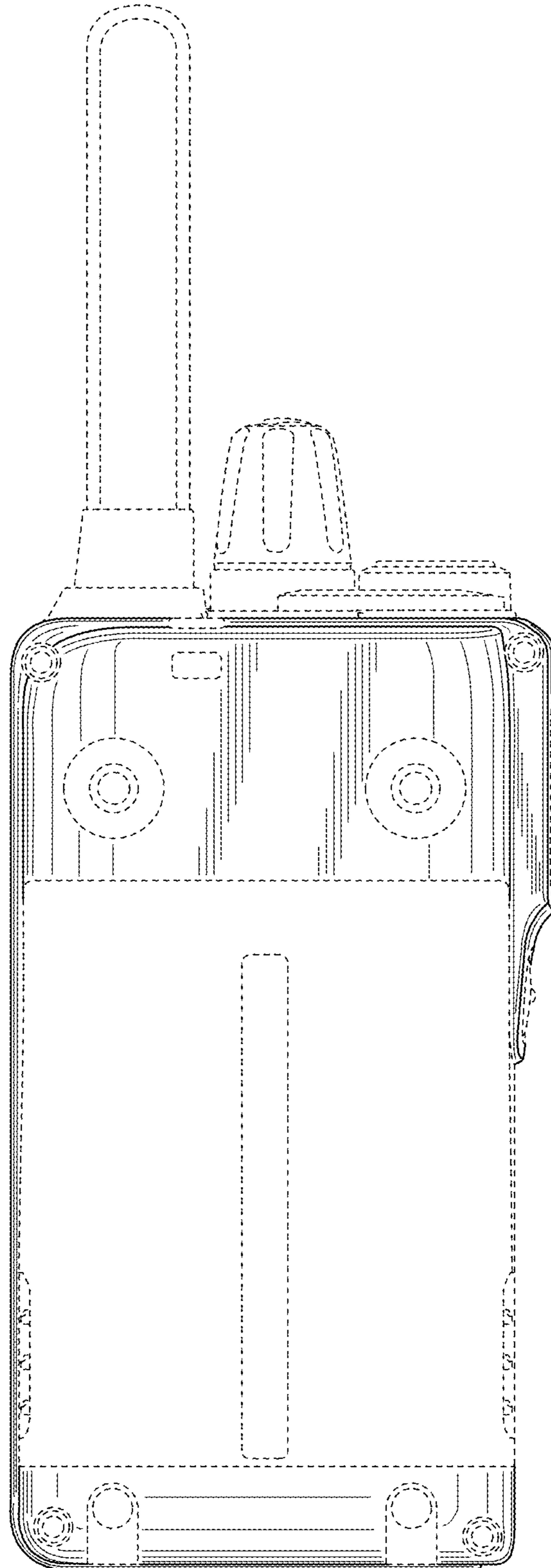


FIG. 4

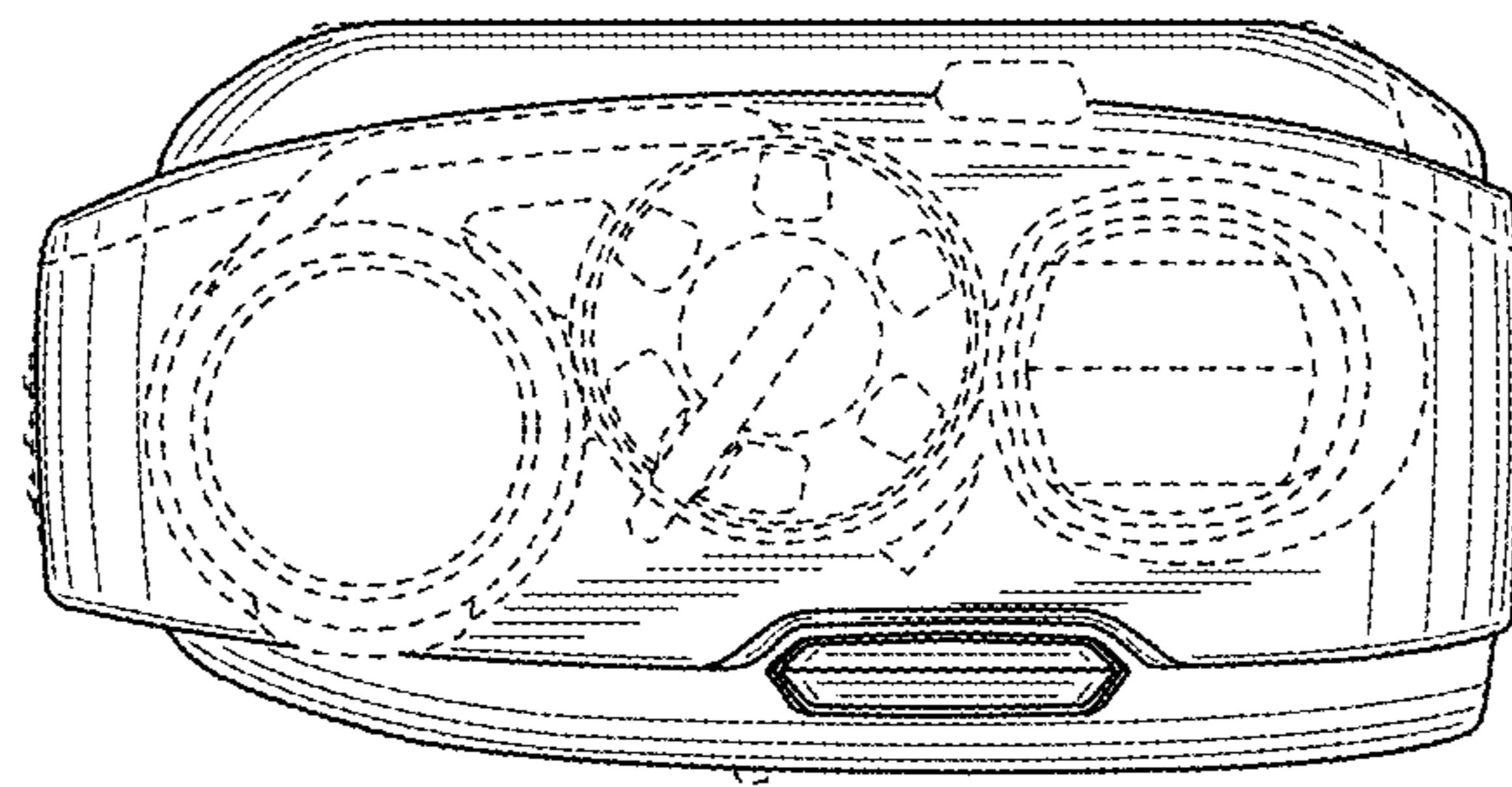


FIG. 5

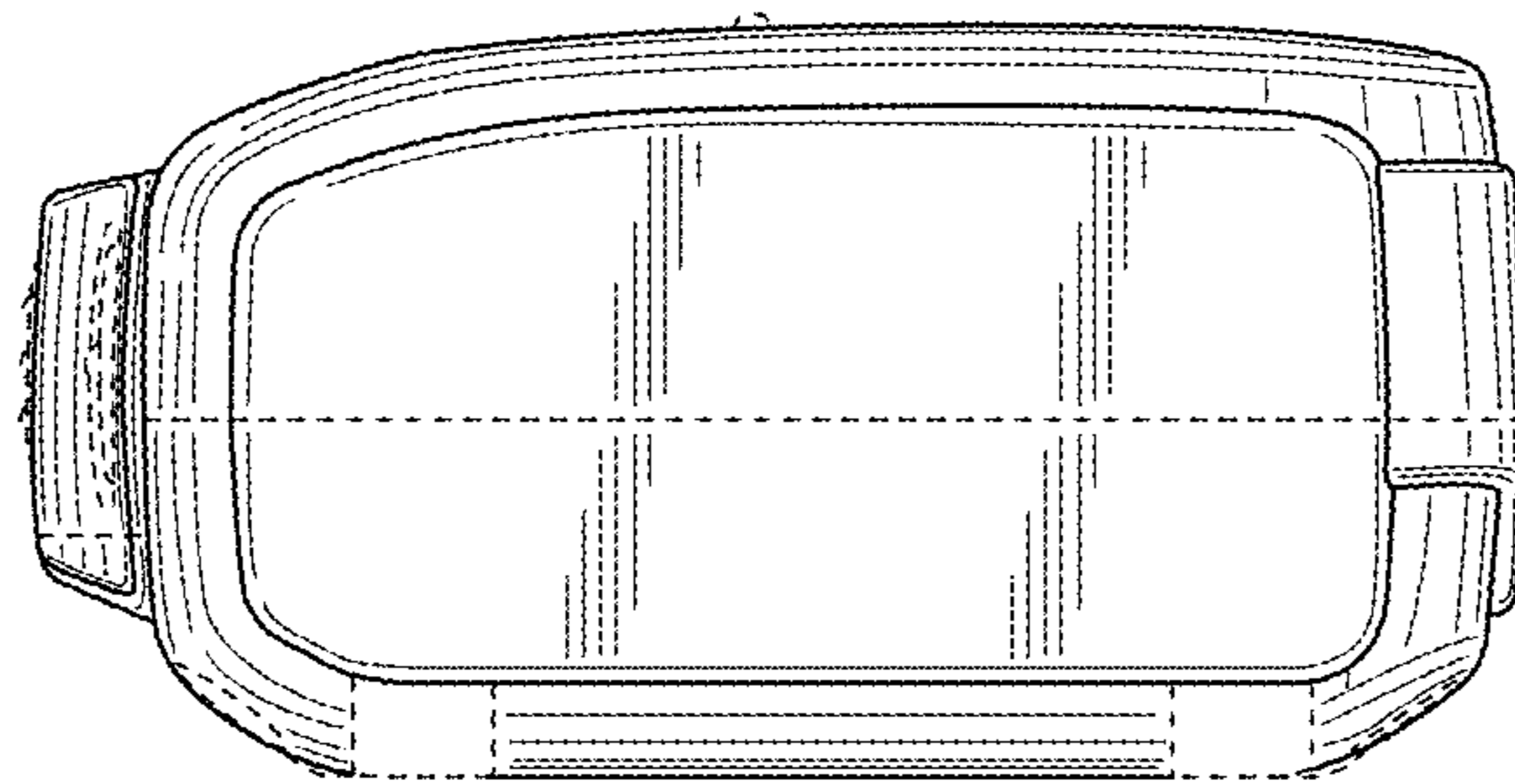


FIG. 6

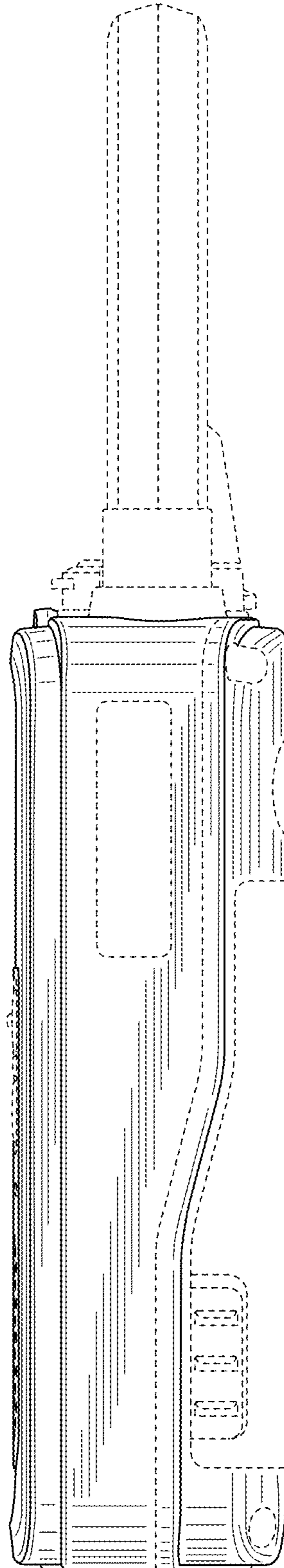


FIG. 7

