



US00D876379S

(12) **United States Design Patent**  
**Aihsan et al.**

(10) **Patent No.:** **US D876,379 S**

(45) **Date of Patent:** **\*\* Feb. 25, 2020**

(54) **HANDHELD COMMUNICATION DEVICE**

(71) Applicant: **MOTOROLA SOLUTIONS, INC.**,  
Chicago, IL (US)

(72) Inventors: **Mohd Wardi Iswali Aihsan**, Lunas  
(MY); **Minoru Okazaki**, Saitama (JP);  
**Hirokatsu Kishimoto**, Kanagawa (JP);  
**Sok Hui Khoo**, Seremban (MY)

(73) Assignee: **MOTOROLA SOLUTIONS, INC.**,  
Chicago, IL (US)

(\*\*) Term: **15 Years**

(21) Appl. No.: **29/606,569**

(22) Filed: **Jun. 6, 2017**

(51) **LOC (12) Cl.** ..... **14-03**

(52) **U.S. Cl.**  
USPC ..... **D14/137**

(58) **Field of Classification Search**  
USPC ..... D14/137, 138 AA, 138 R, 203.7, 147,  
D14/148, 250, 496, 191, 159, 138 AB;  
D10/106.1, 65

(Continued)

(56) **References Cited**

**U.S. PATENT DOCUMENTS**

D653,637 S \* 2/2012 Ismail ..... D14/137  
D654,035 S \* 2/2012 Ismail ..... D14/137

(Continued)

**OTHER PUBLICATIONS**

APX 900 Single-Band P25 Spec Sheet, Oct. 2017, [online], [site visited Dec. 17, 2018]. Retrieved from [urlhttps://www.motorolasolutions.com/content/dam/msi/docs/products/two-way-radios/apx/apx-900/apx\\_900\\_spec\\_sheet.pdf](https://www.motorolasolutions.com/content/dam/msi/docs/products/two-way-radios/apx/apx-900/apx_900_spec_sheet.pdf) (Year: 2017).\*

*Primary Examiner* — Cathron C Brooks

*Assistant Examiner* — Tracey J Bell

(74) *Attorney, Agent, or Firm* — Raguraman Kumaresan

(57) **CLAIM**

The ornamental design for a handheld communication device, as shown and described.

**DESCRIPTION**

FIG. 1 is a front perspective view of a first embodiment of an ornamental design for a handheld device;

FIG. 2 is a rear perspective view of the first embodiment thereof;

FIG. 3 is a front view of the first embodiment thereof;

FIG. 4 is a rear view of the first embodiment thereof;

FIG. 5 is a first side view of the first embodiment thereof;

FIG. 6 is a second side view of the first embodiment thereof;

FIG. 7 is a top view of the first embodiment thereof; and

FIG. 8 is a bottom view of the first embodiment thereof.

FIG. 9 is a front perspective view of a second embodiment of an ornamental design for a handheld device;

FIG. 10 is a rear perspective view of the second embodiment thereof;

FIG. 11 is a front view of the second embodiment thereof;

FIG. 12 is a rear view of the second embodiment thereof;

FIG. 13 is a first side view of the second embodiment thereof;

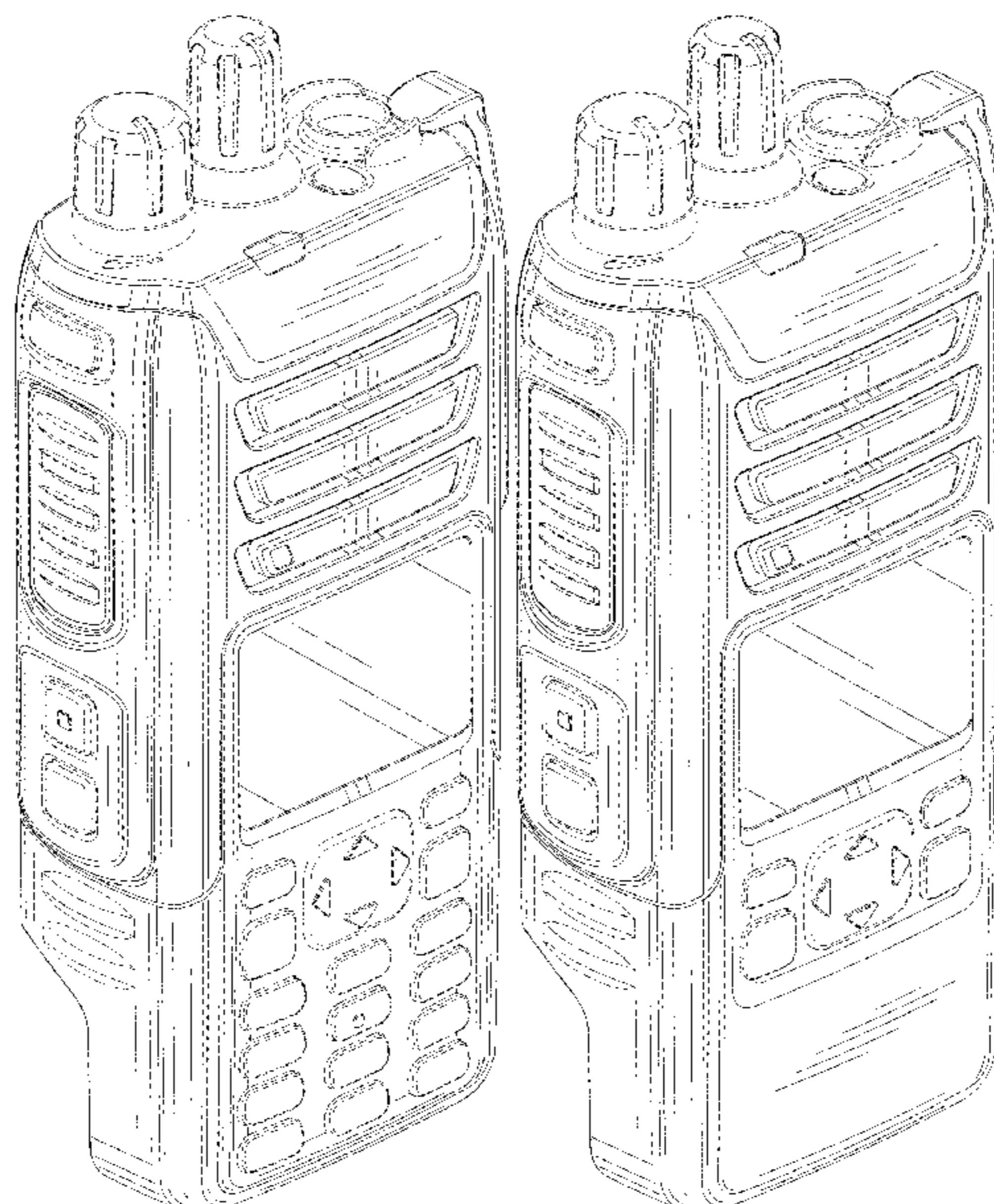
FIG. 14 is a second side view of the second embodiment thereof;

FIG. 15 is a top view of the second embodiment thereof; and,

FIG. 16 is a bottom view of the second embodiment thereof.

All broken lines in the figures illustrate portions of the handheld communication device that form no part of the claimed design. The broken lines that define shaded regions and that are adjacent to claimed surfaces depict boundaries of the claimed design.

**1 Claim, 14 Drawing Sheets**



(58) **Field of Classification Search**

CPC ..... H04B 1/3827; H04B 1/3833; H04B  
2001/3861

See application file for complete search history.

(56) **References Cited**

U.S. PATENT DOCUMENTS

D662,482 S *	6/2012	Kaner .....	D14/137
D662,483 S *	6/2012	Kaner .....	D14/137
D717,258 S *	11/2014	Garra .....	D14/137
D730,866 S *	6/2015	Aihsan .....	D14/188
D752,536 S *	3/2016	Ooi .....	D14/137
D752,537 S *	3/2016	Oikawa .....	D14/137
D761,223 S *	7/2016	Oikawa .....	D14/137
D761,224 S *	7/2016	Khairudin .....	D14/137
D796,467 S *	9/2017	Oikawa .....	D14/137
D805,494 S *	12/2017	Richards .....	D14/137
D816,639 S *	5/2018	Abe .....	D14/226
D818,451 S *	5/2018	Takahashi .....	D14/137

\* cited by examiner

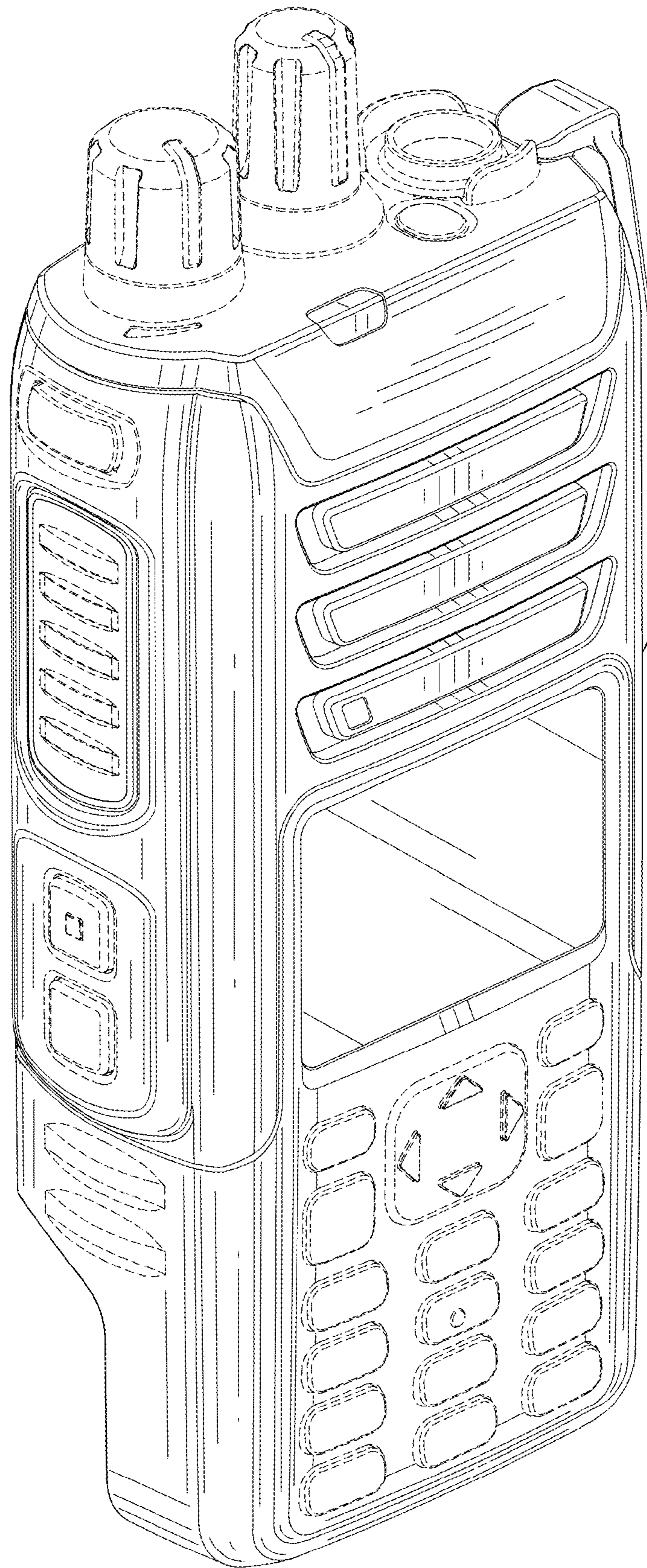


FIG. 1

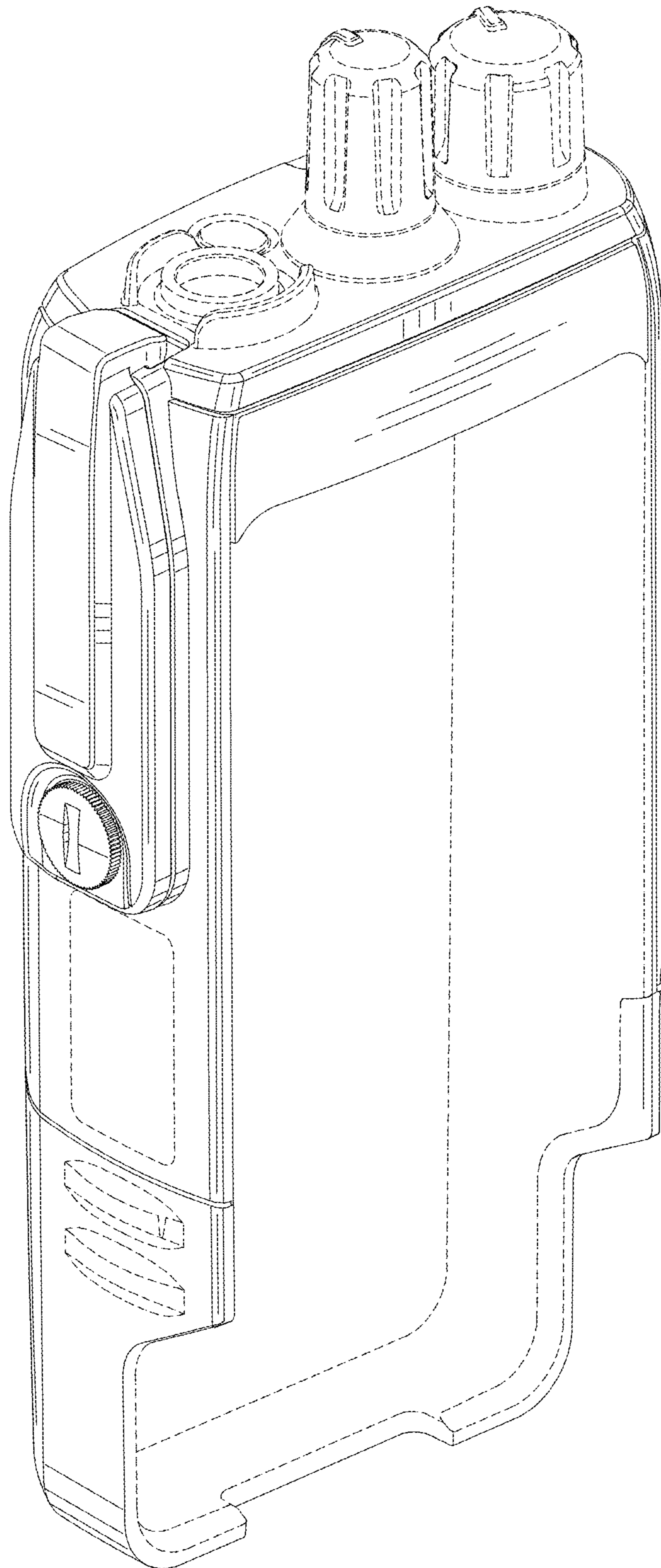


FIG. 2

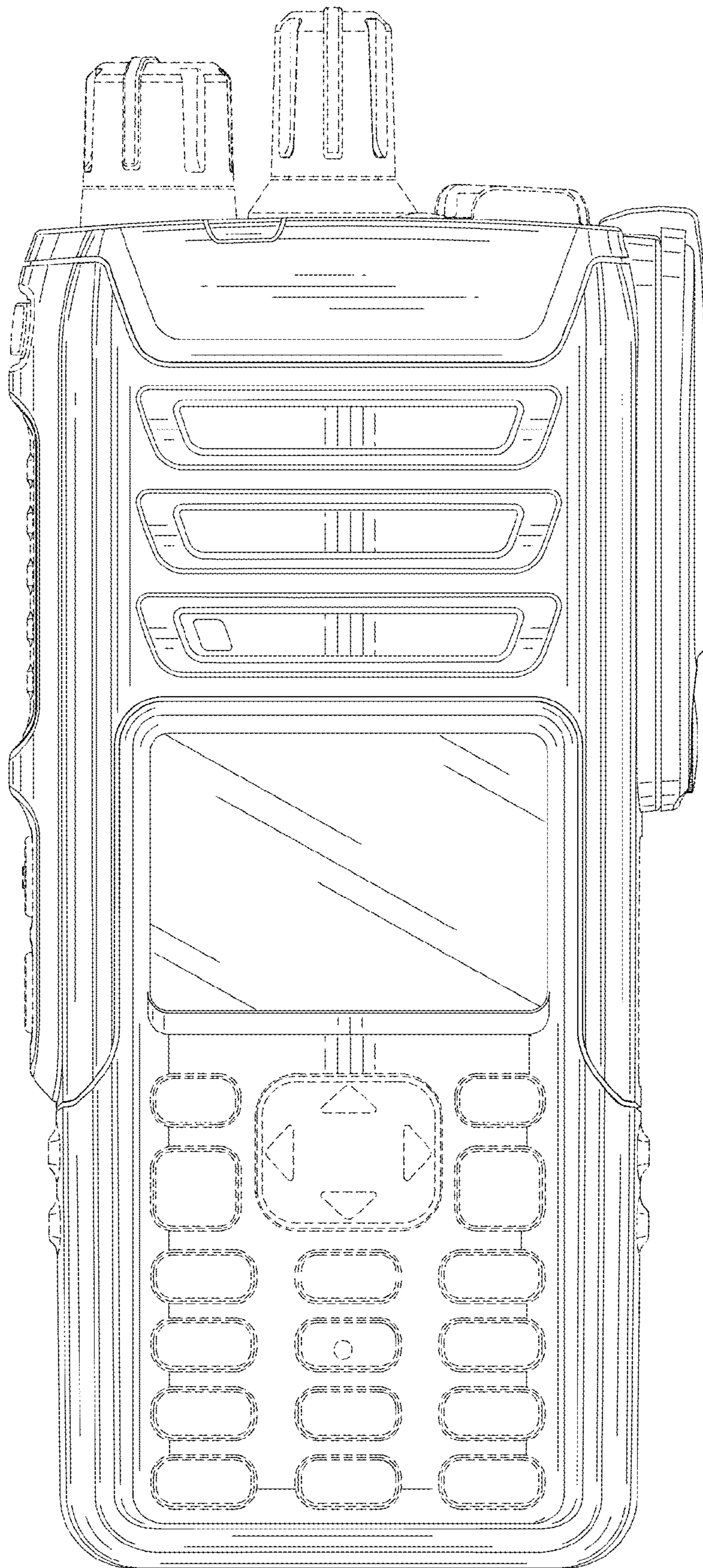


FIG. 3

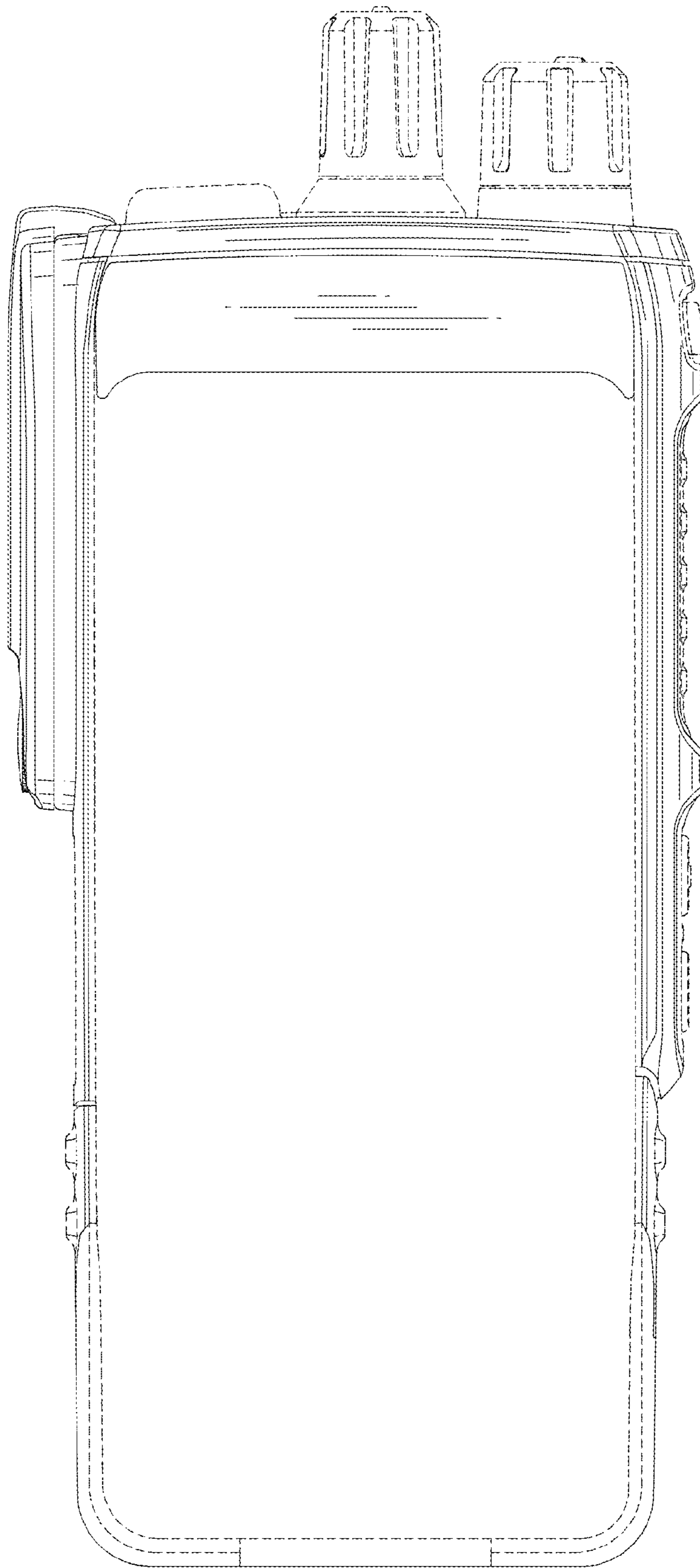


FIG. 4

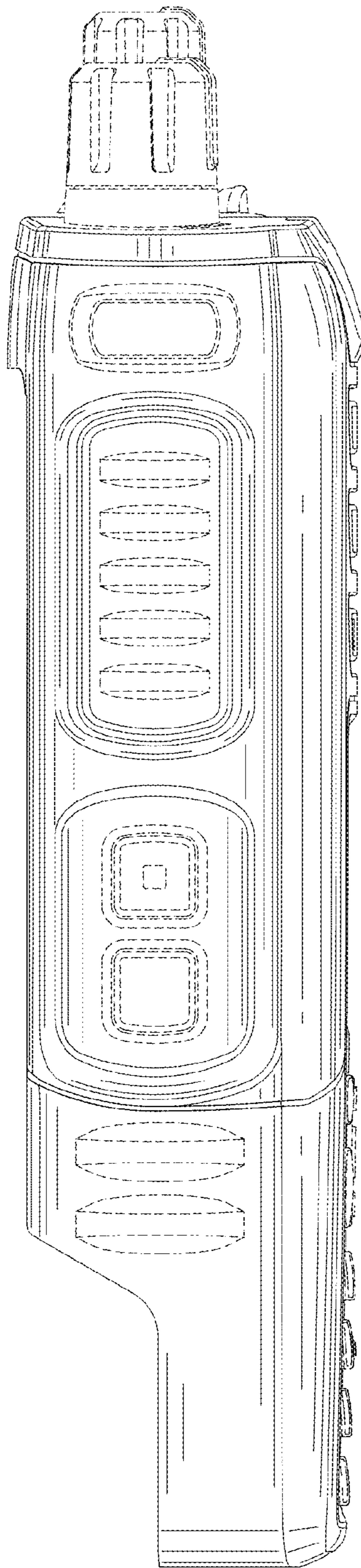


FIG. 5

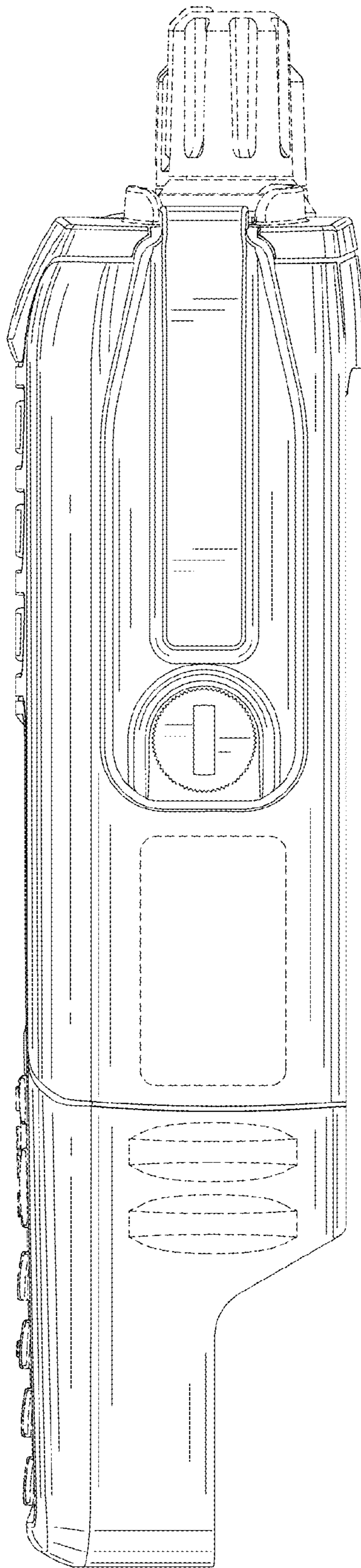


FIG. 6



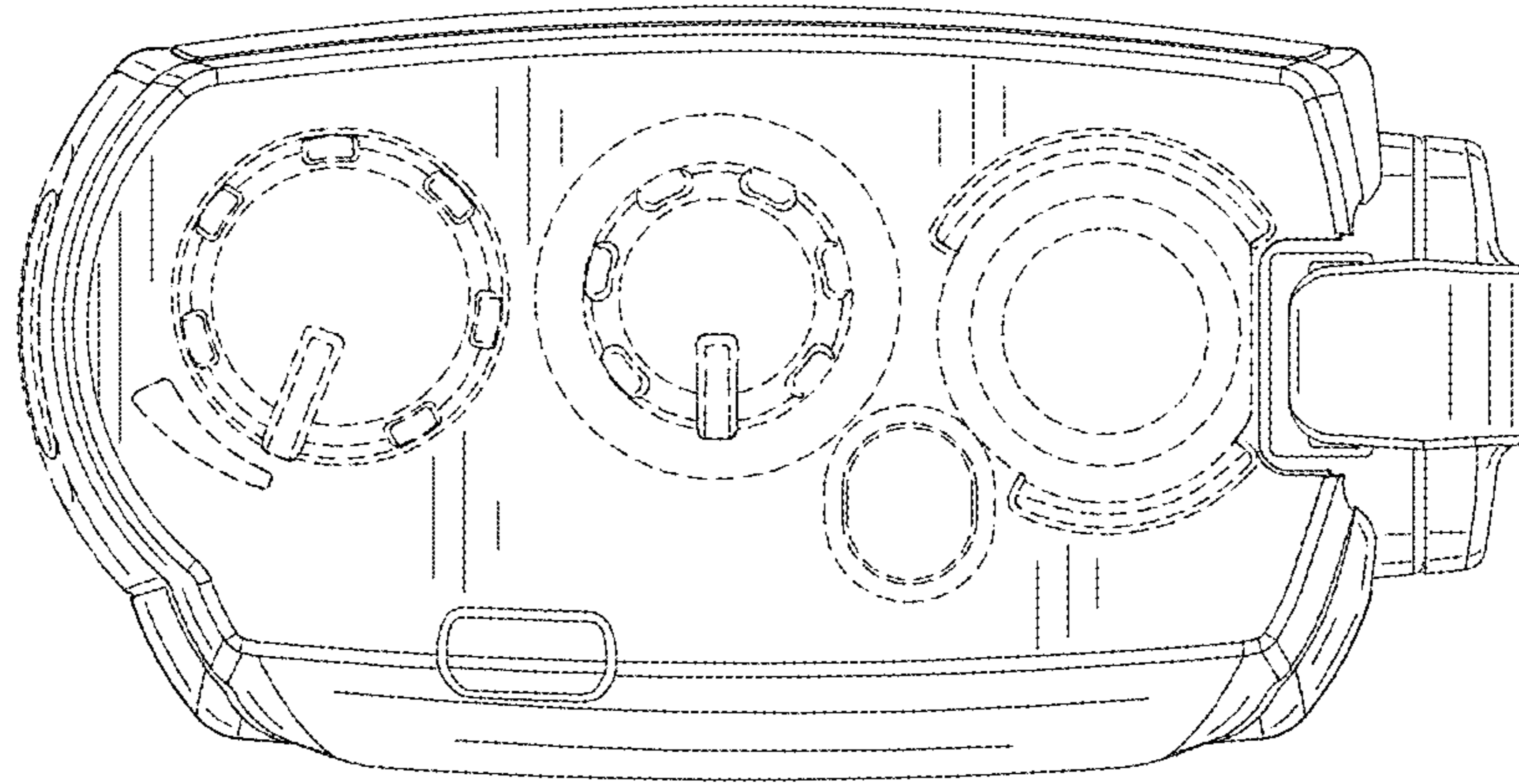


FIG. 7

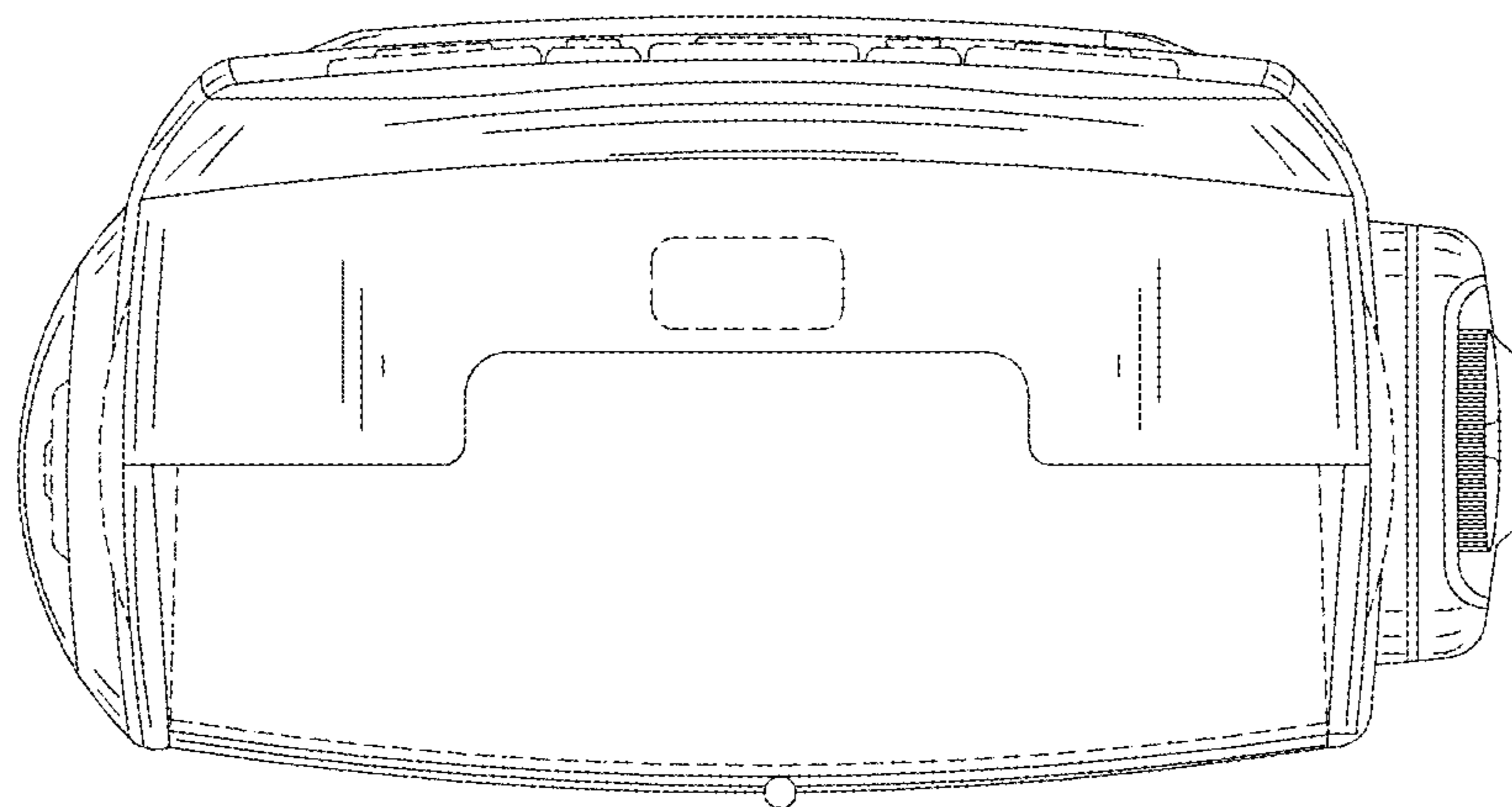


FIG. 8

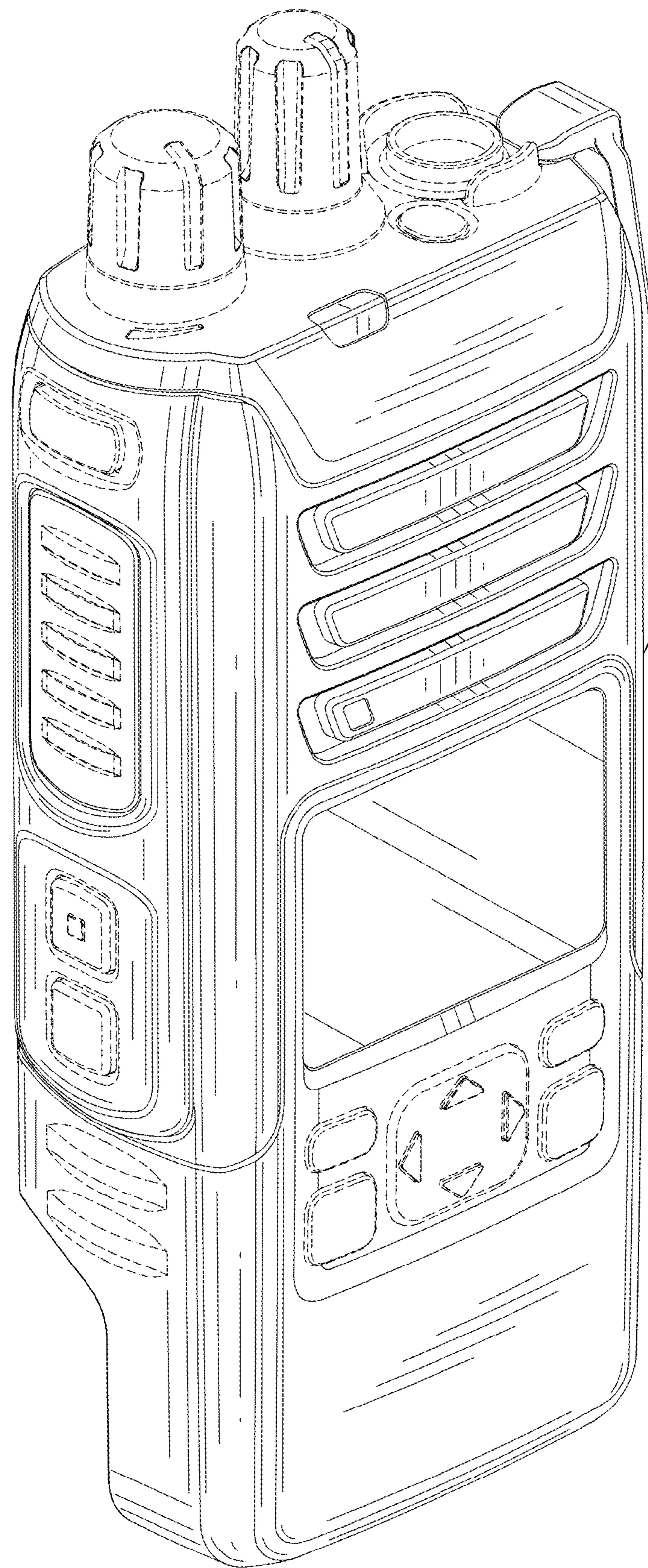


FIG. 9

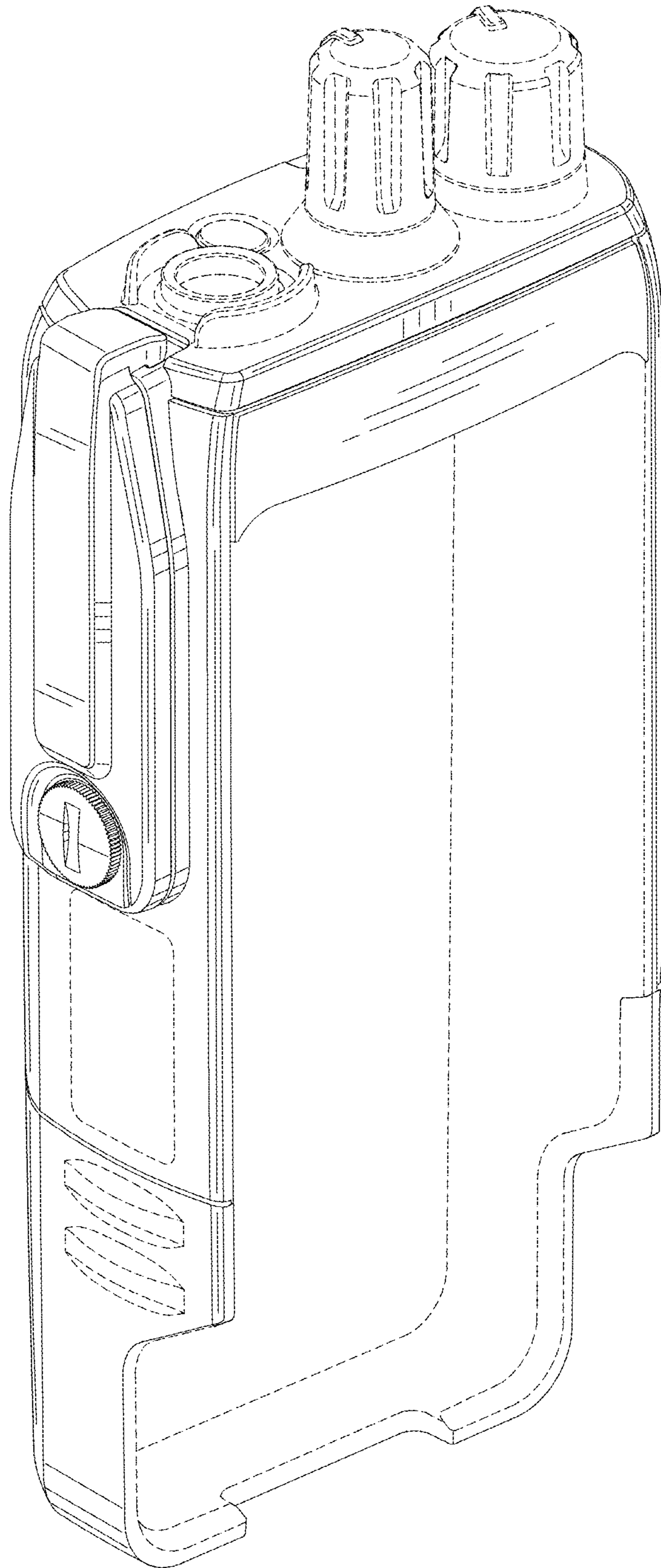


FIG. 10

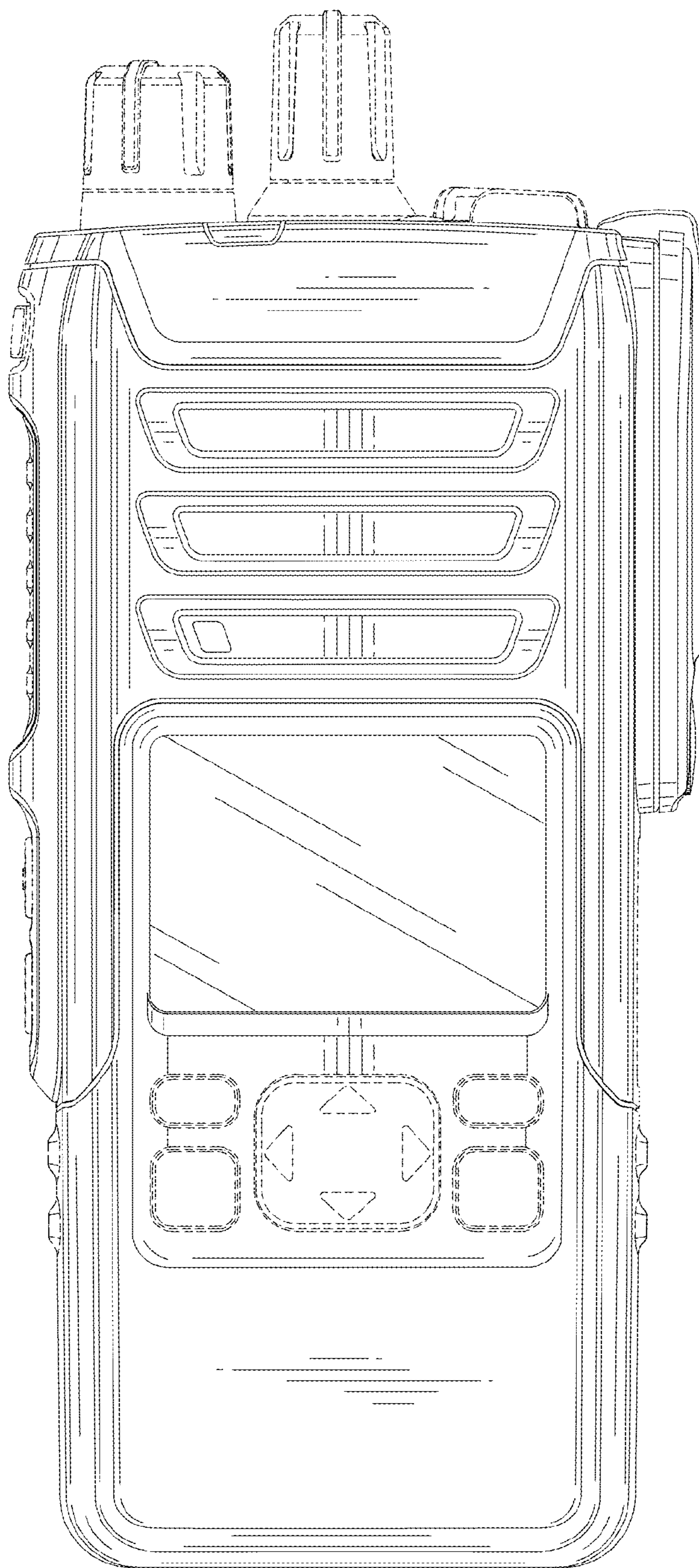


FIG. 11

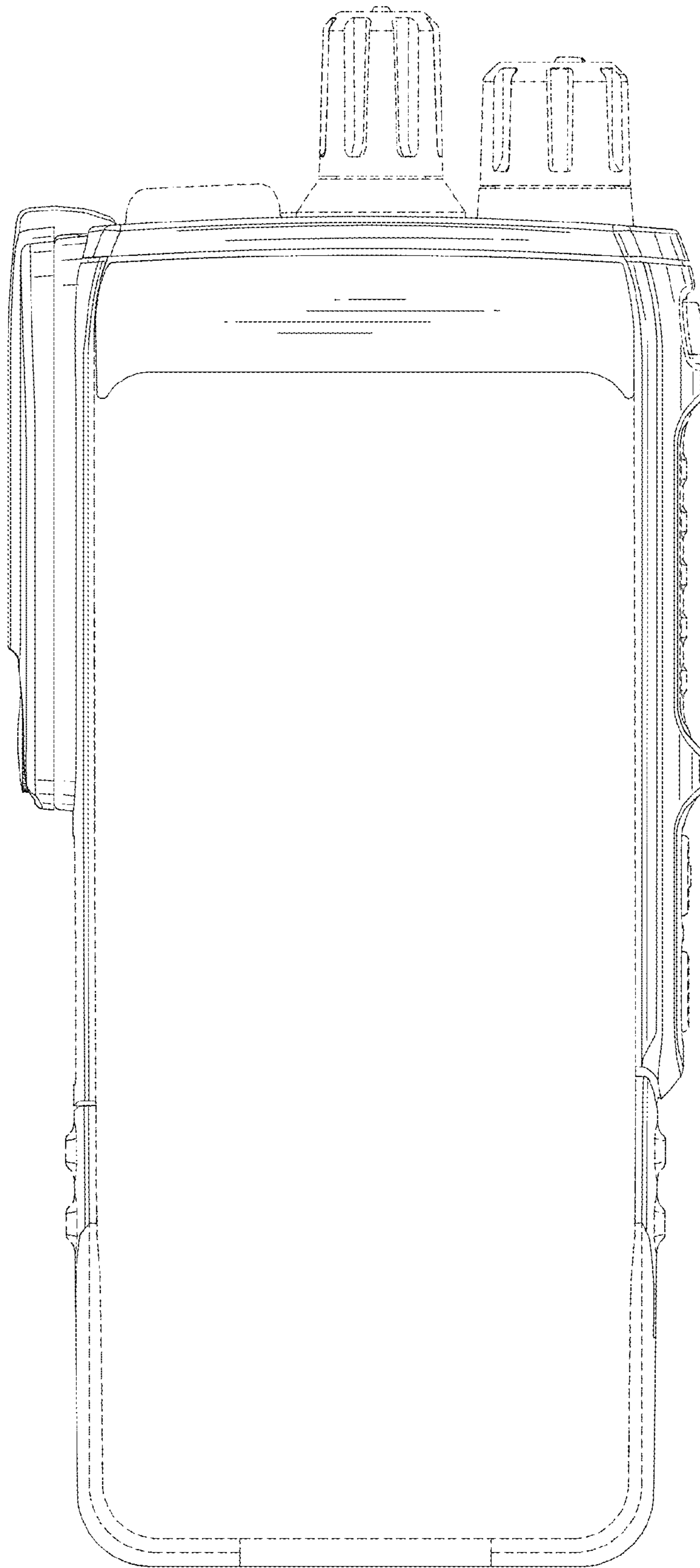


FIG. 12

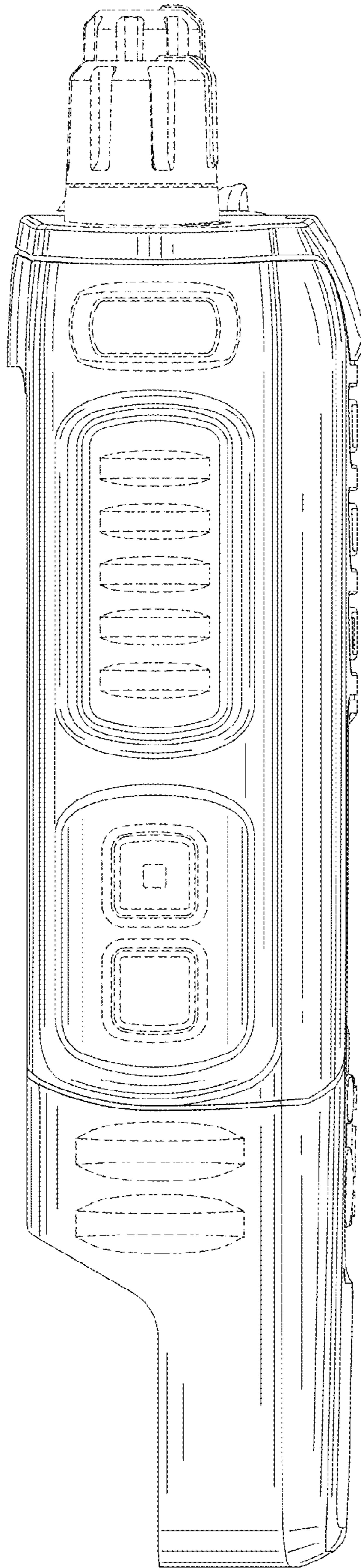


FIG. 13

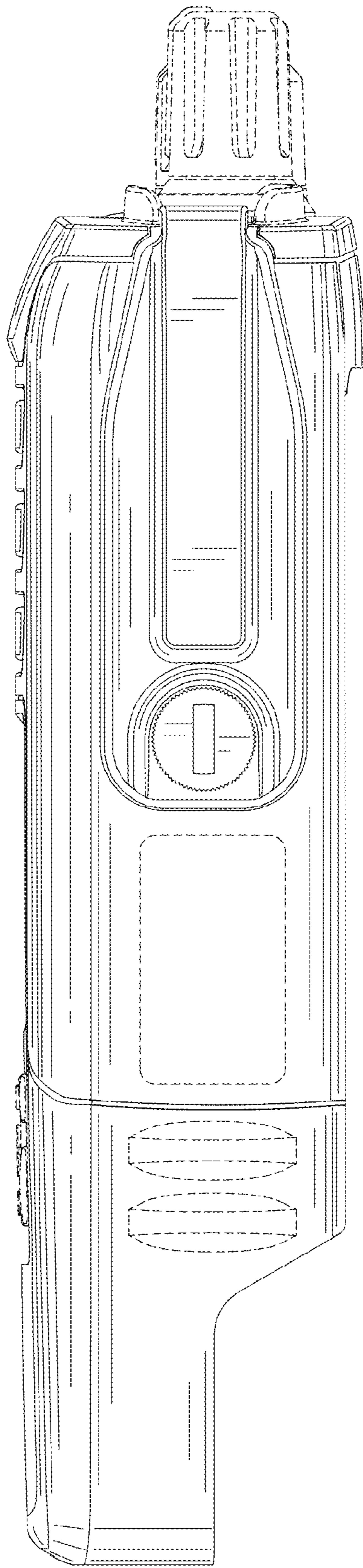


FIG. 14

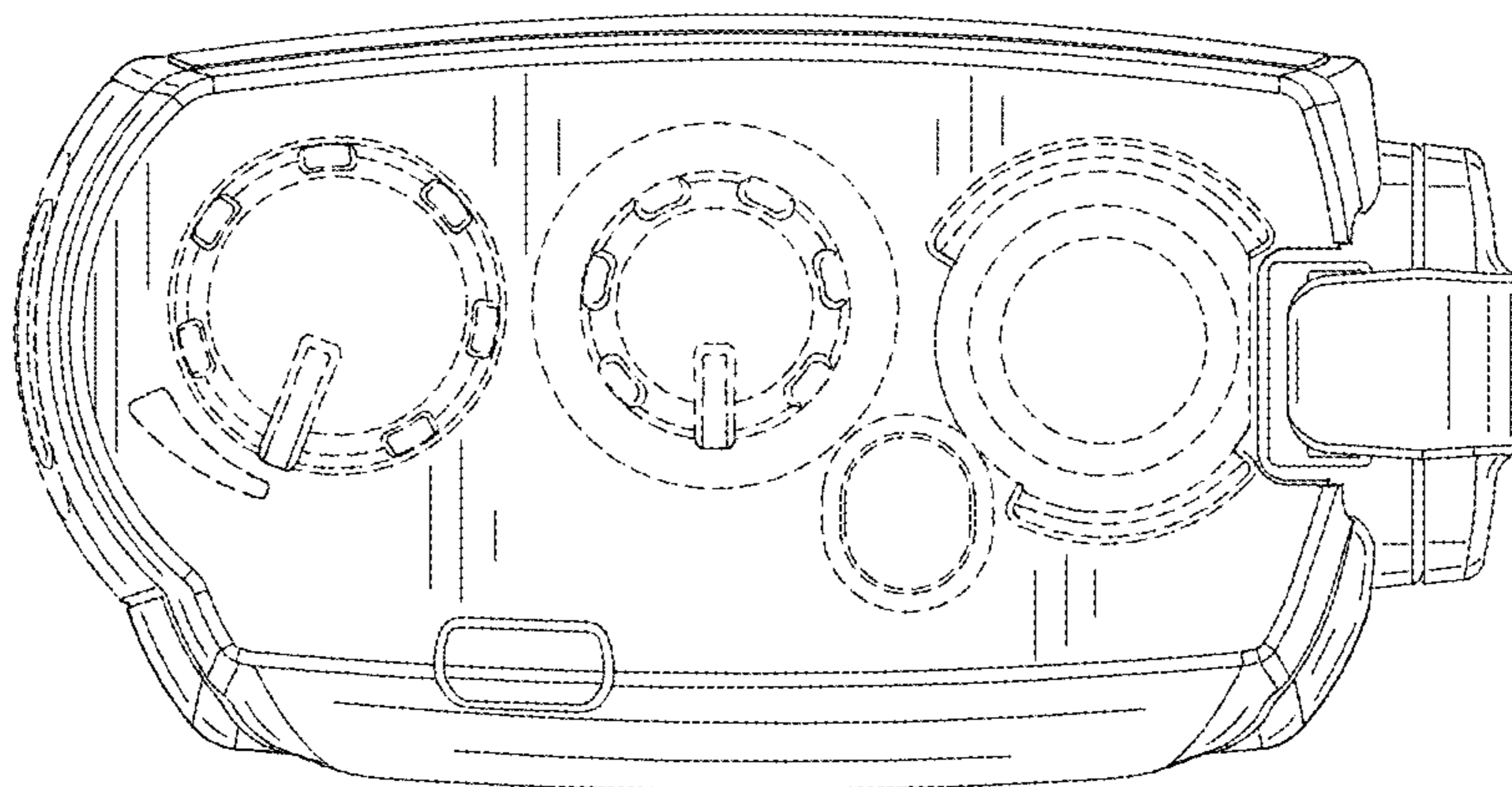


FIG. 15

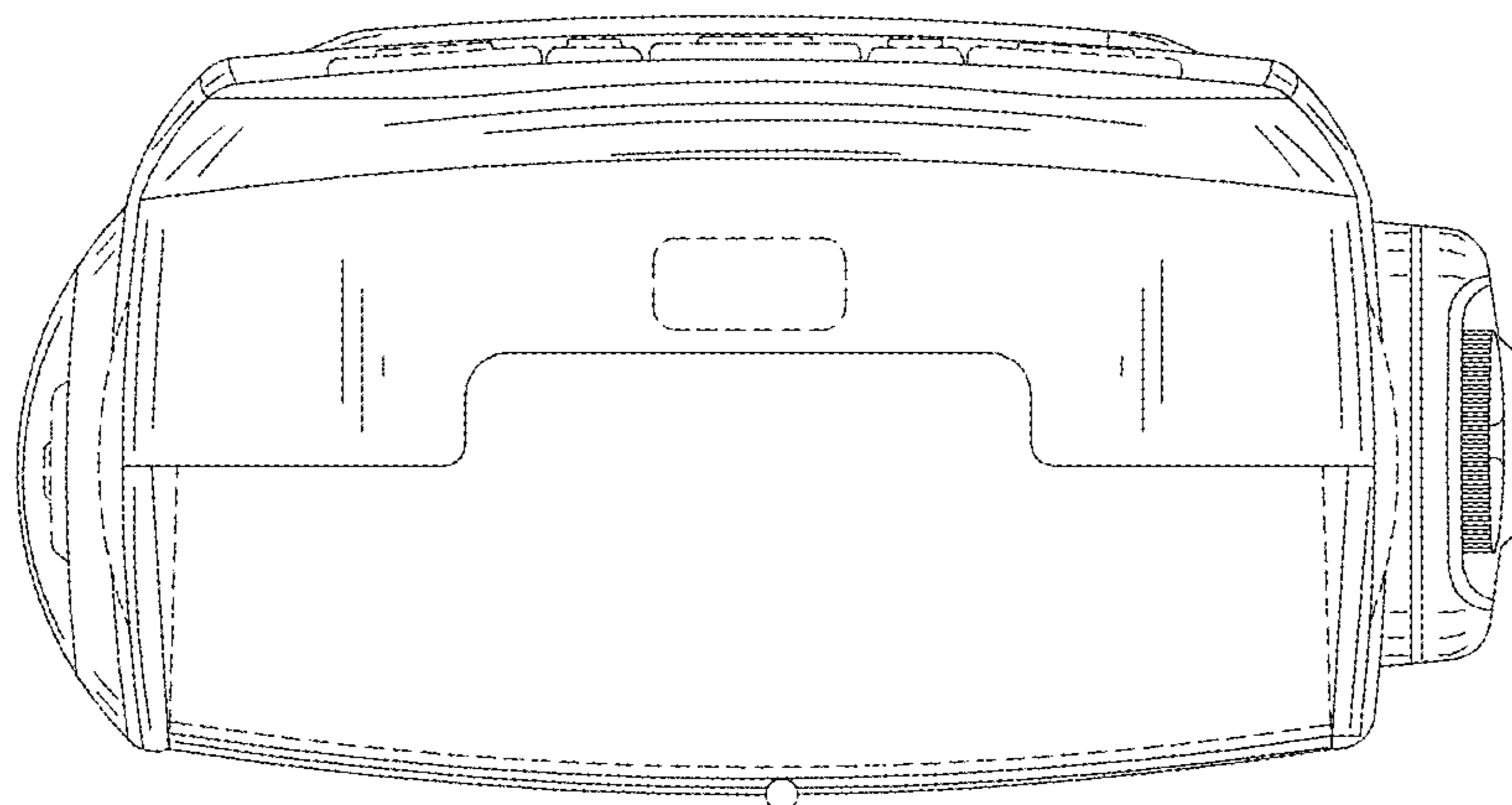


FIG. 16