



US00D876377S

(12) **United States Design Patent**
Diao et al.

(10) **Patent No.:** **US D876,377 S**
(45) **Date of Patent:** **** Feb. 25, 2020**

(54) **COMBINED TV STAND AND SPEAKER**

Primary Examiner — Randall H Gholson

(71) Applicant: **SHENZHEN SKYWORTH-RGB ELECTRONIC CO., LTD**, Shenzhen, Guangdong (CN)

(57) **CLAIM**

The ornamental design for a combined TV stand and speaker, as shown and described.

(72) Inventors: **Yonghong Diao**, Guangdong (CN); **Liyuan Peng**, Guangdong (CN); **Zhiyong Chen**, Guangdong (CN); **Shuxiao Wei**, Guangdong (CN); **Yunbing Zhong**, Guangdong (CN); **Ze Wang**, Guangdong (CN)

DESCRIPTION

FIG. 1 is a front elevational view of the TV stand of the combined TV stand and speaker showing our new design; FIG. 2 is a rear elevational view of FIG. 1; FIG. 3 is a left side view of FIG. 1; FIG. 4 is a right side view of FIG. 1; FIG. 5 is a top plan view of FIG. 1; FIG. 6 is a bottom plan view of FIG. 1; FIG. 7 is a top, front and right side perspective view of FIG. 1; FIG. 8 is a top, rear and right side perspective view of FIG. 1; FIG. 9 is an enlarged view of portion 9 in FIG. 7; FIG. 10 is a front elevational view of the speaker of the combined TV stand and speaker; FIG. 11 is a rear elevational view of FIG. 10; FIG. 12 is a left side view of FIG. 10; FIG. 13 is a right side view of FIG. 10; FIG. 14 is a top plan view of FIG. 10; FIG. 15 is a bottom plan view of FIG. 10; FIG. 16 is a top, front and right side perspective view of FIG. 10; FIG. 17 is a top, rear and left side perspective view of FIG. 10; FIG. 18 is a top, front and right side perspective view of the combined TV stand and speaker; and, FIG. 19 is a top, front and right side perspective view showing the combined TV stand and speaker in an open state.

(73) Assignee: **SHENZHEN SKYWORTH-RGB ELECTRONIC CO., LTD**, Shenzhen (CN)

(**) Term: **15 Years**

(21) Appl. No.: **29/674,702**

(22) Filed: **Dec. 24, 2018**

(30) **Foreign Application Priority Data**

Sep. 10, 2018 (CN) 2018 3 0507010

(51) **LOC (12) Cl.** **14-03**

(52) **U.S. Cl.**
USPC **D14/126; D14/239**

(58) **Field of Classification Search**
USPC **D14/125-134, 239, 371, 136, 374-377, D14/440, 450, 448, 336, 342; 312/7.2;**
(Continued)

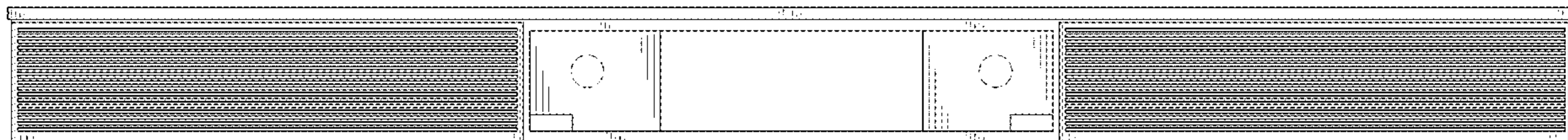
(56) **References Cited**

U.S. PATENT DOCUMENTS

D640,668 S * 6/2011 Chern D14/214
D743,940 S * 11/2015 Yang D14/214
(Continued)

The broken lines in the drawings illustrate portions of the combined TV stand and speaker which form no part of the claimed design.

1 Claim, 19 Drawing Sheets



(58) **Field of Classification Search**

USPC 348/836, 838, 180, 184, 325, 739;
341/12; 248/917-924, 465, 309.2;
345/104, 133, 156, 168, 87, 173;
720/605, 669, 600, 655; 369/99, 197;
455/344, 347; D21/329, 515, 577, 622,
D21/333, 433, 448, 452, 450, 331;
D6/477, 479, 300; 446/484, 175, 356;
D10/15, 26; 361/801, 802, 754, 728;
257/88
CPC H04N 1/00; G09F 9/301
See application file for complete search history.

(56) **References Cited**

U.S. PATENT DOCUMENTS

D826,216 S * 8/2018 Schoolmeester D14/214
D836,581 S * 12/2018 Andresen D14/126

* cited by examiner

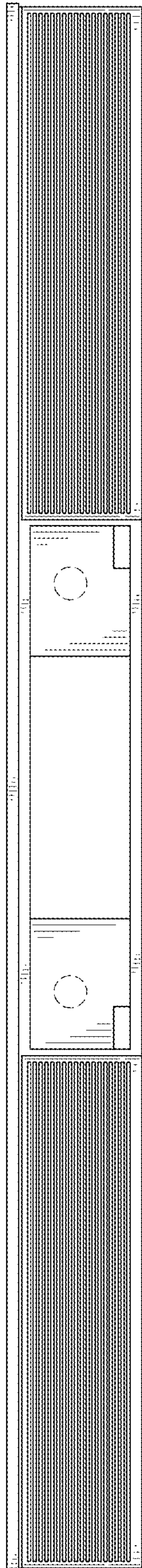


FIG. 1

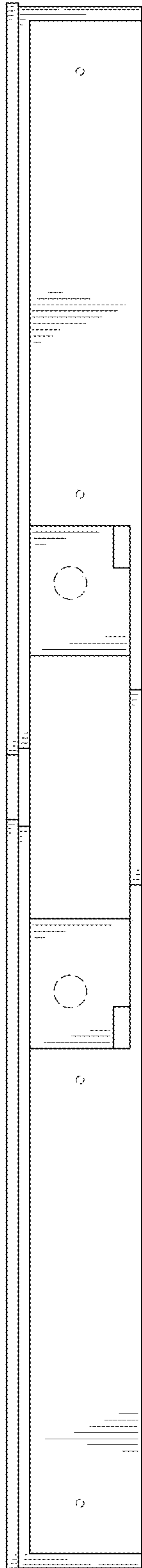


FIG. 2

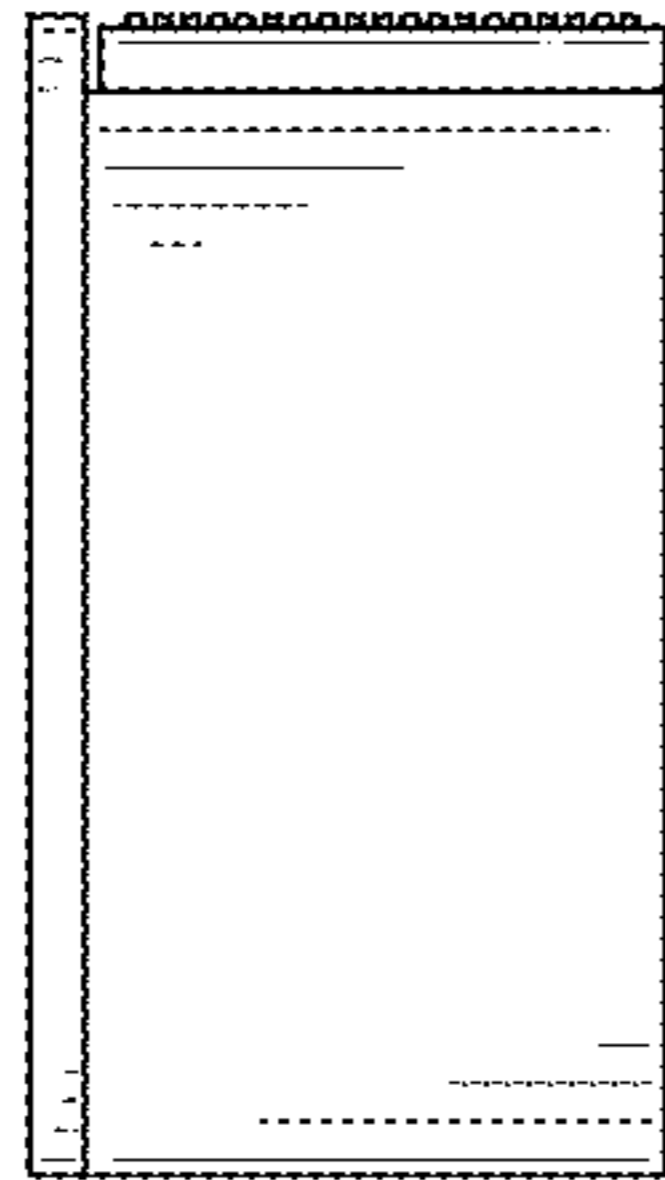


FIG. 3

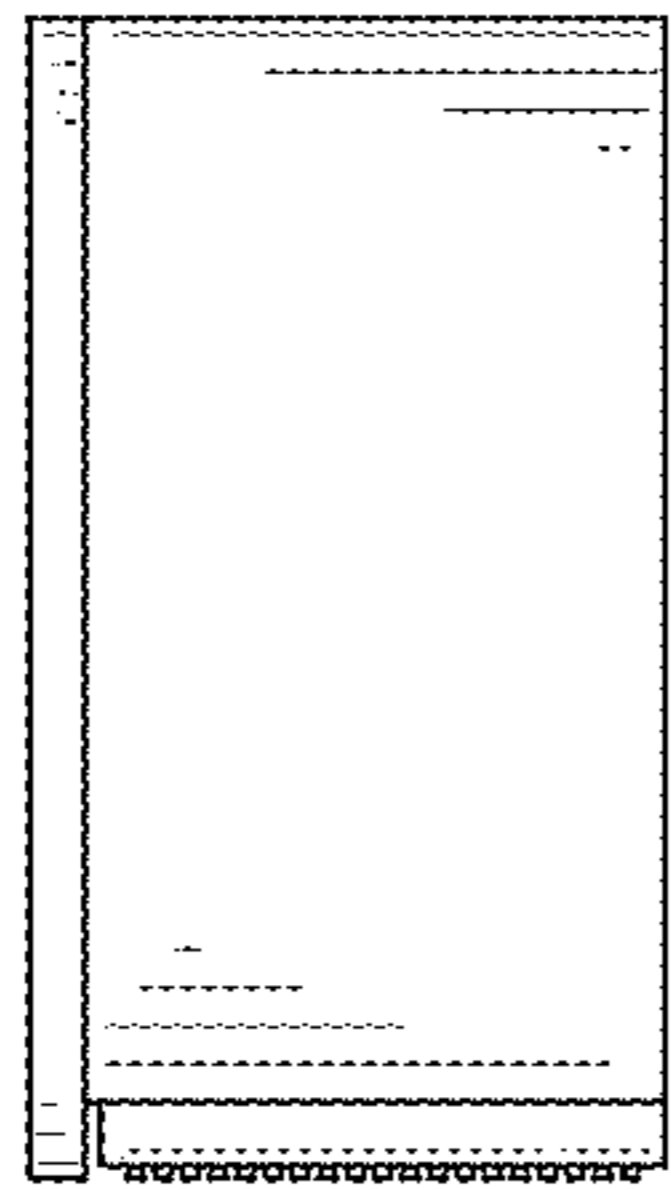


FIG. 4

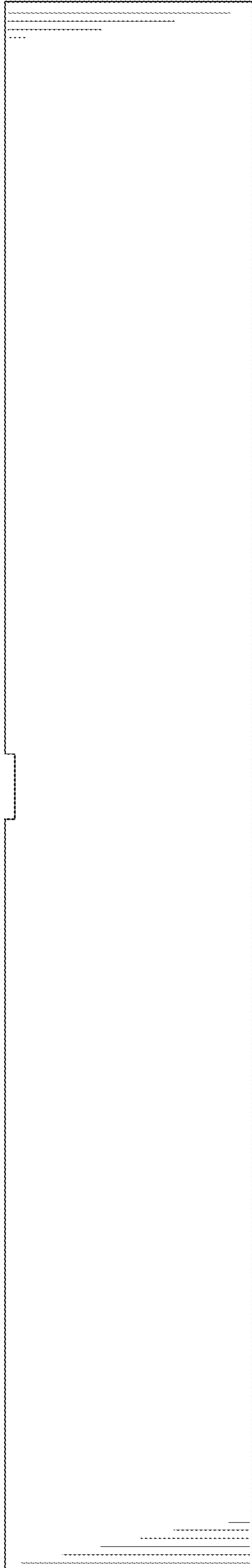


FIG. 5

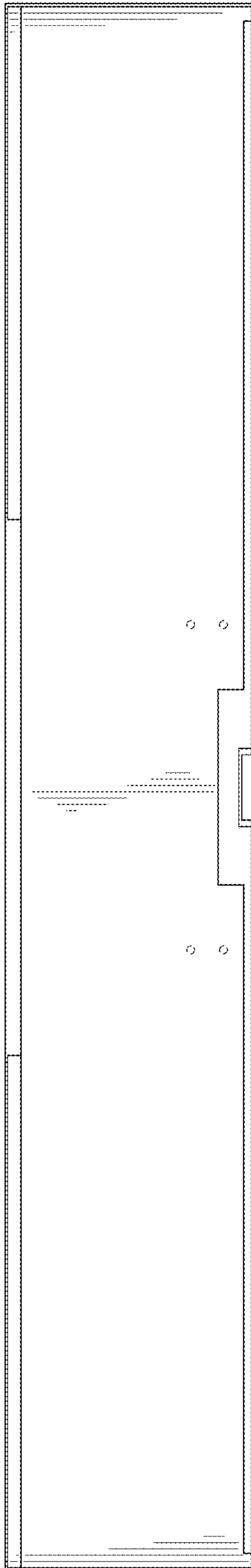


FIG. 6

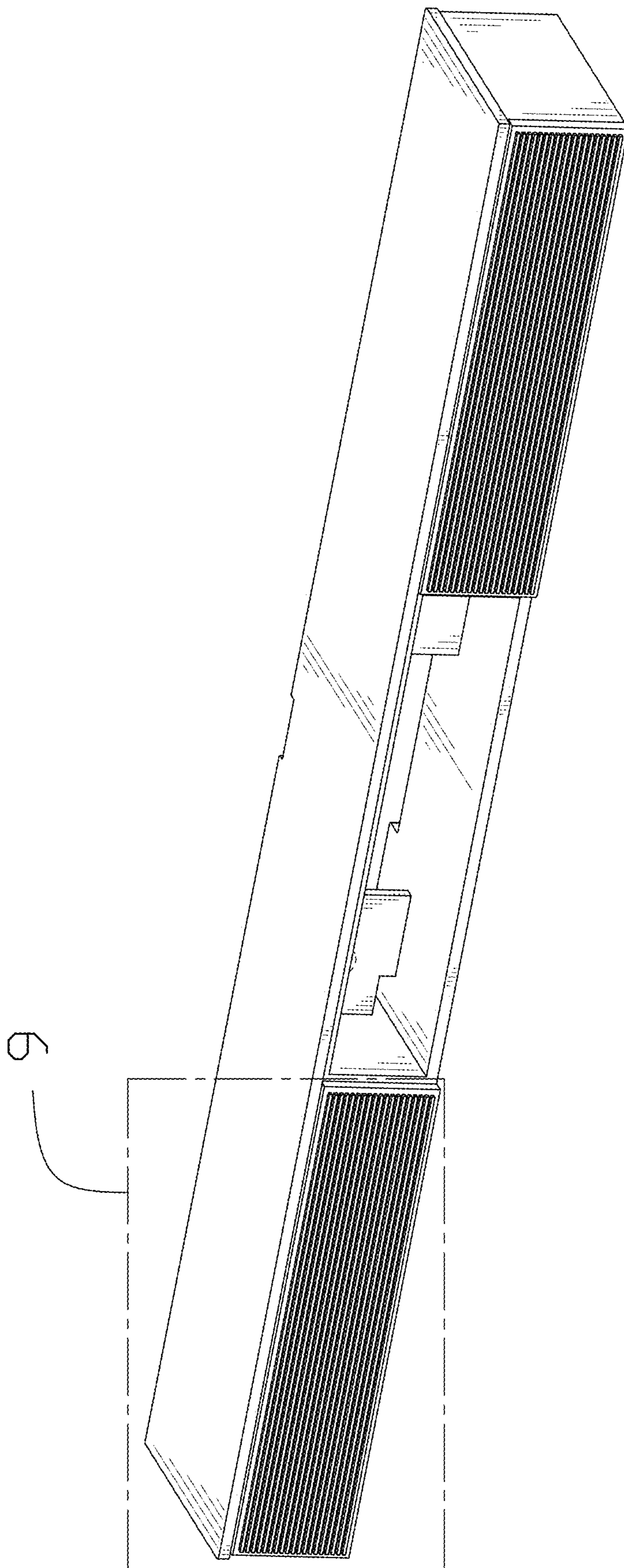


FIG. 7

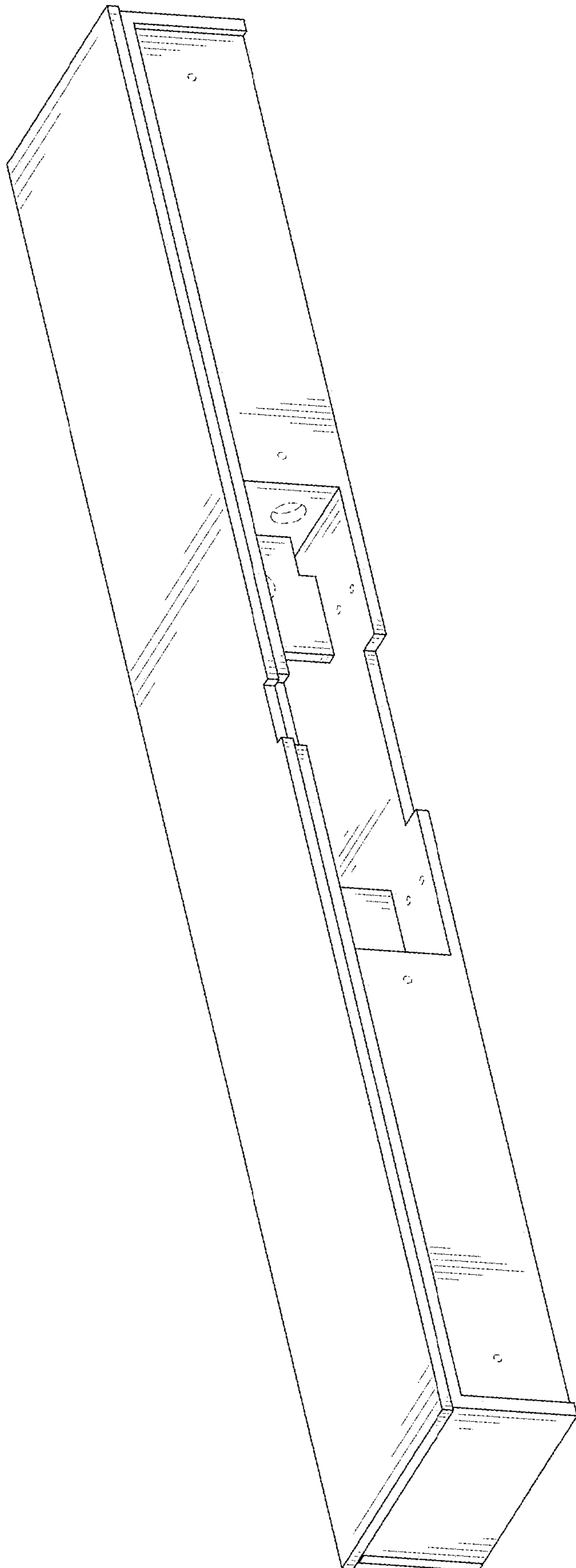


FIG. 8

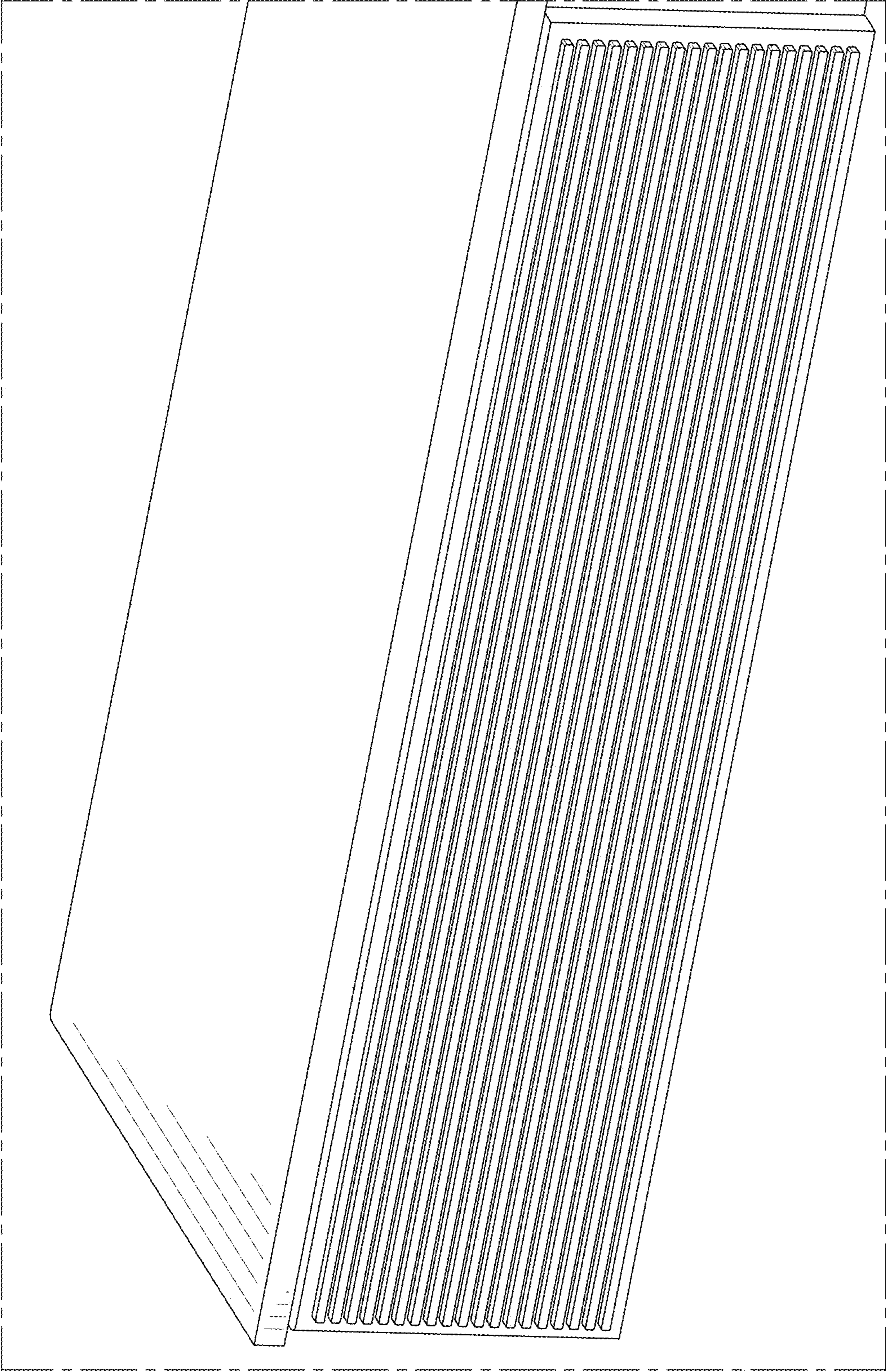


FIG. 9

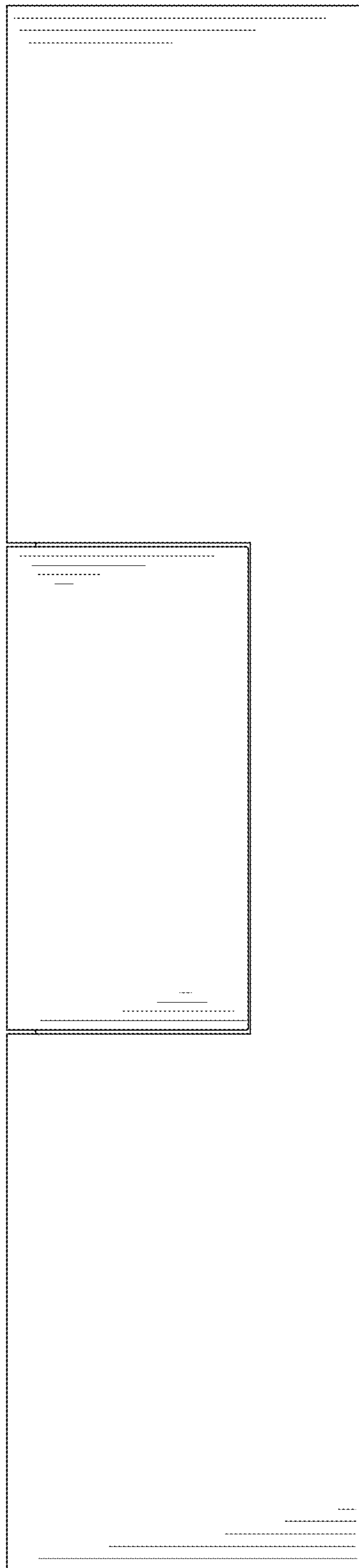


FIG. 10

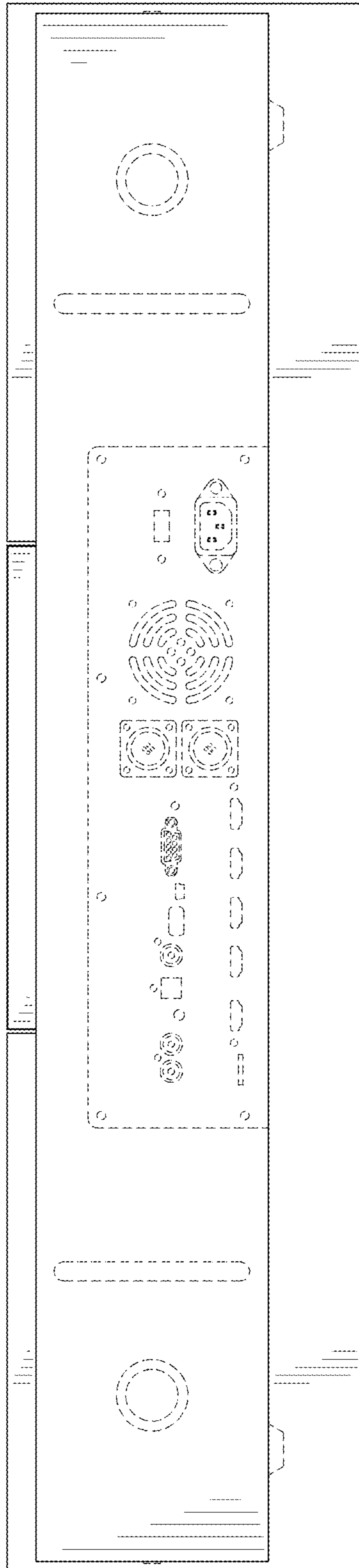


FIG. 11

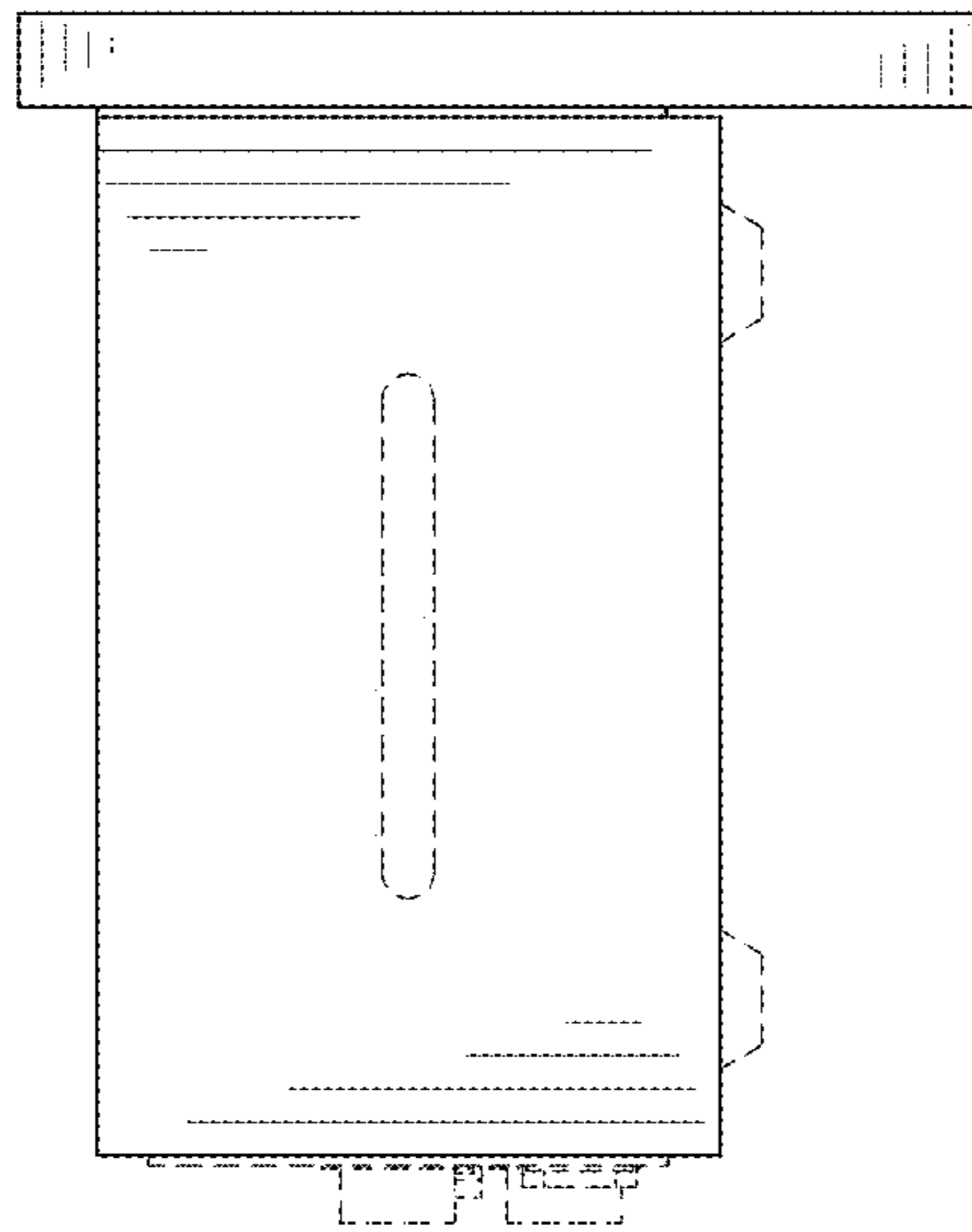


FIG. 12

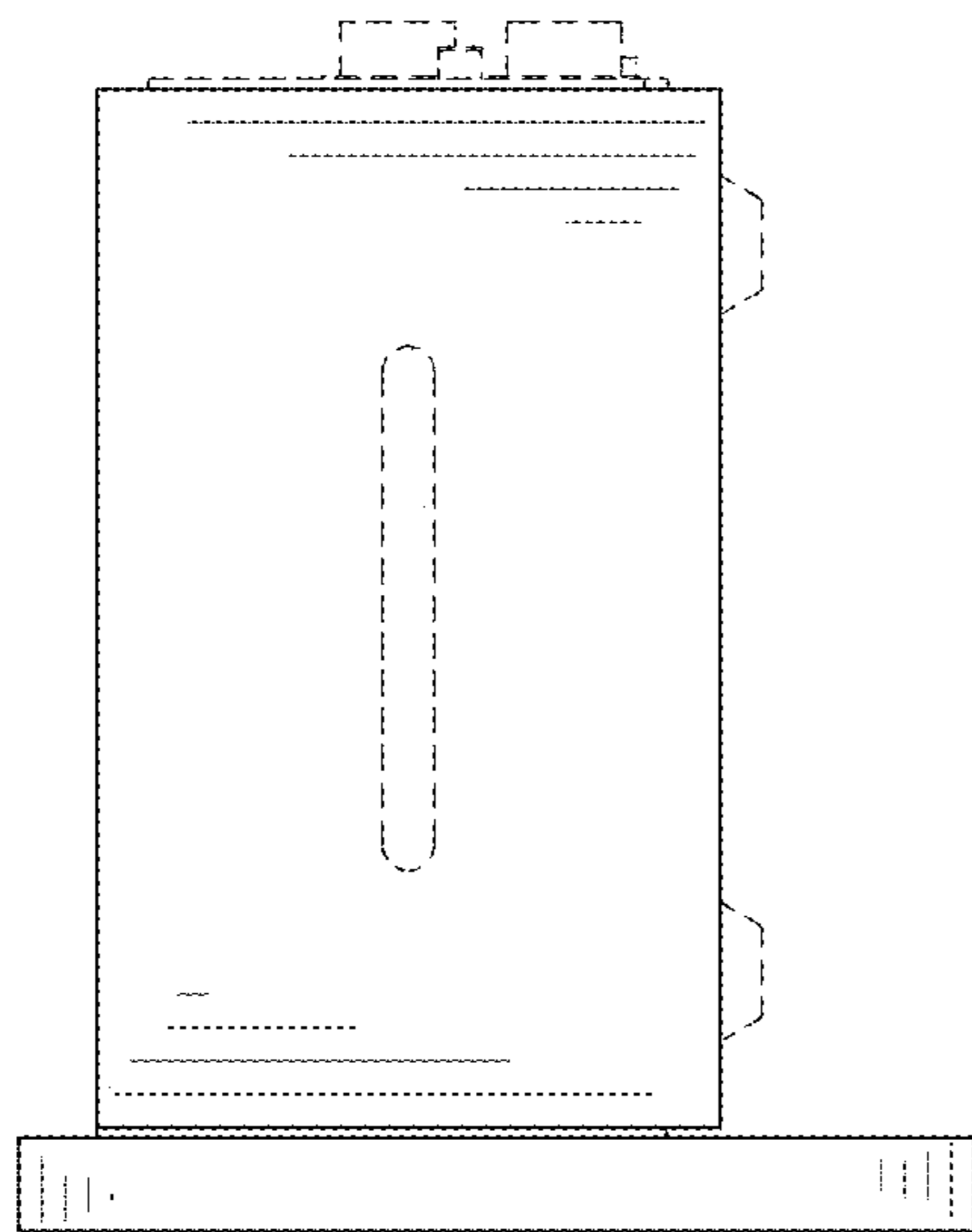


FIG. 13

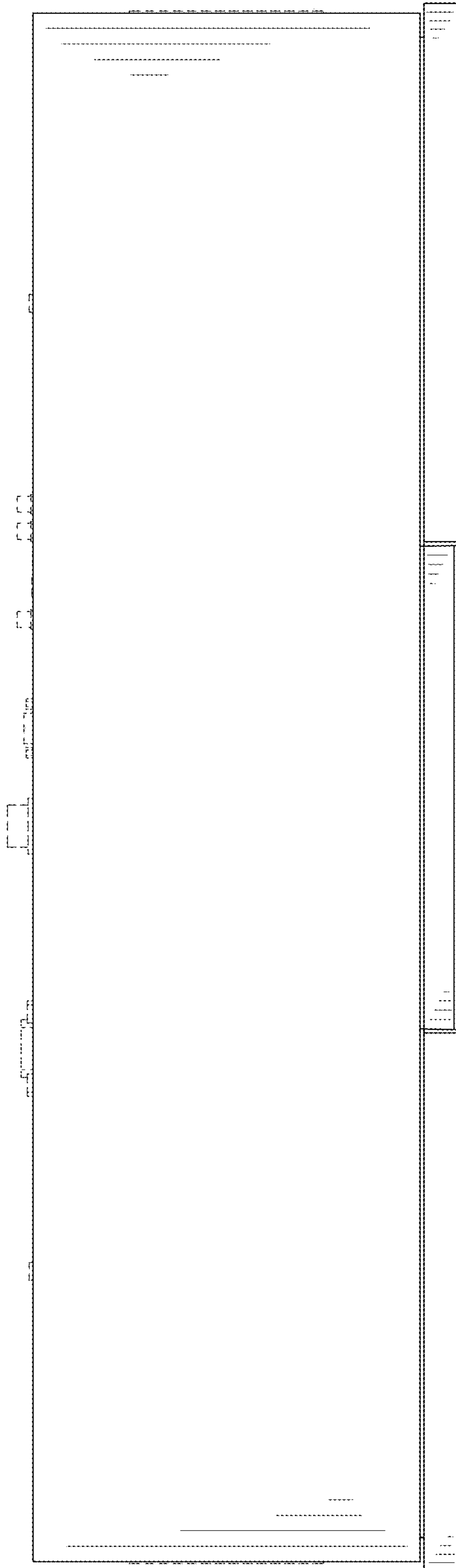


FIG. 14

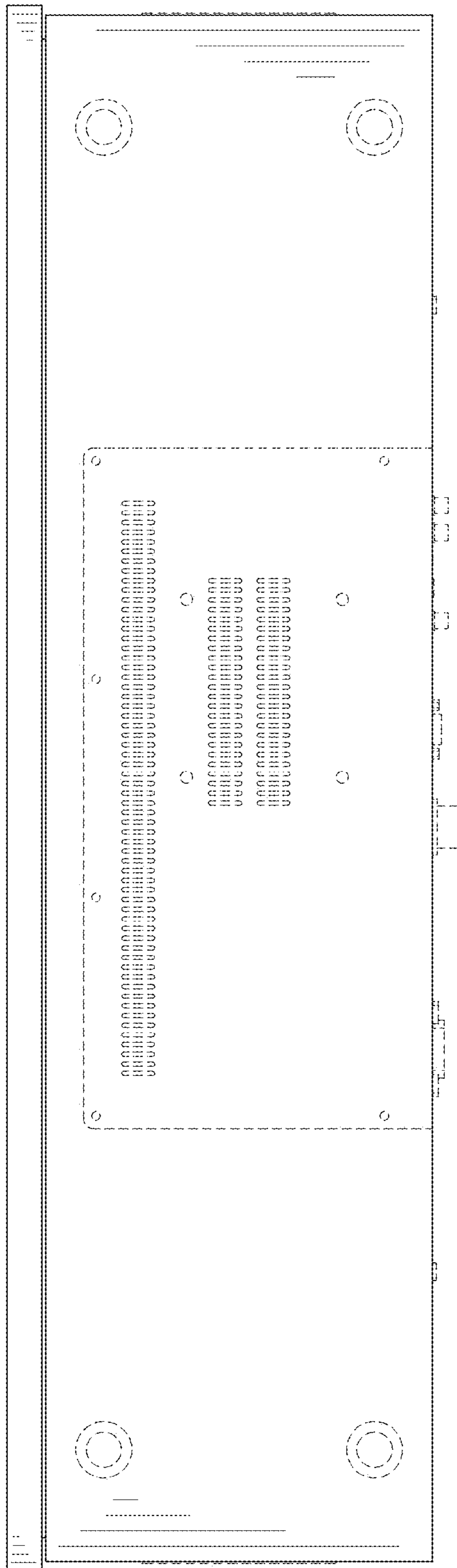


FIG. 15

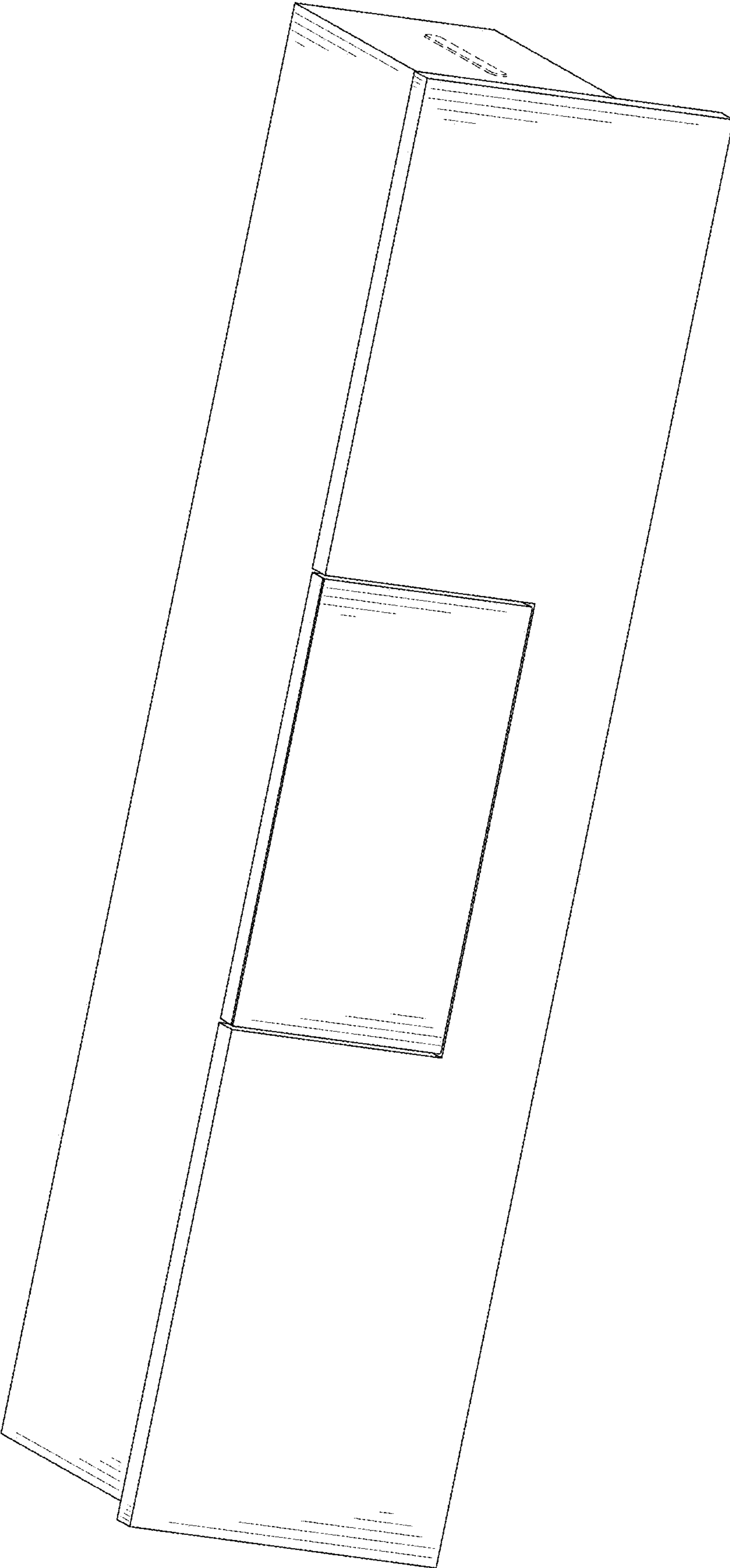


FIG. 16

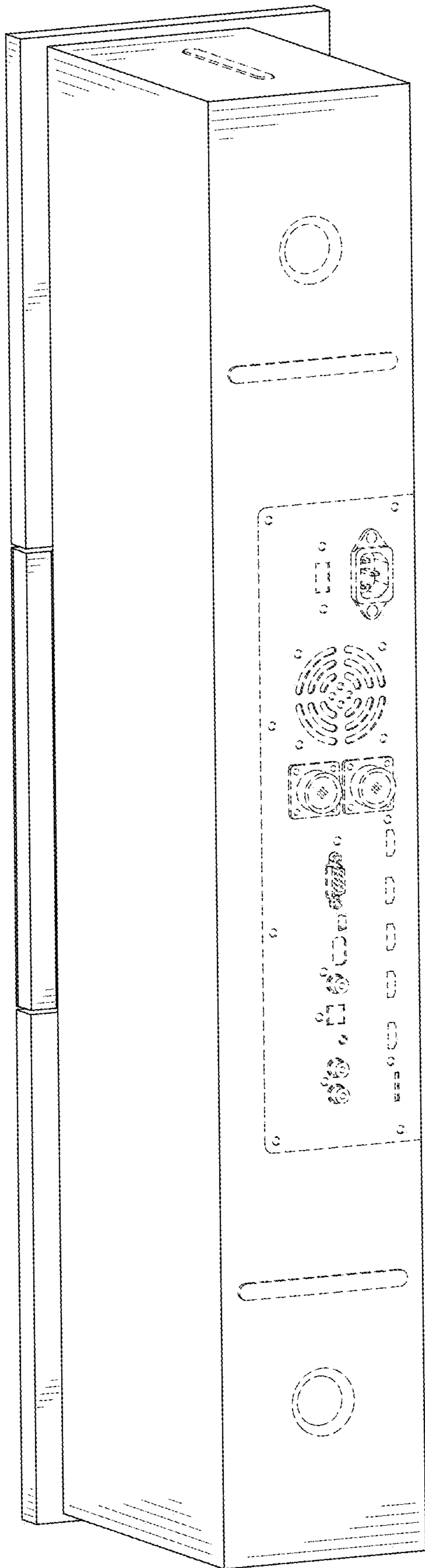


FIG. 17

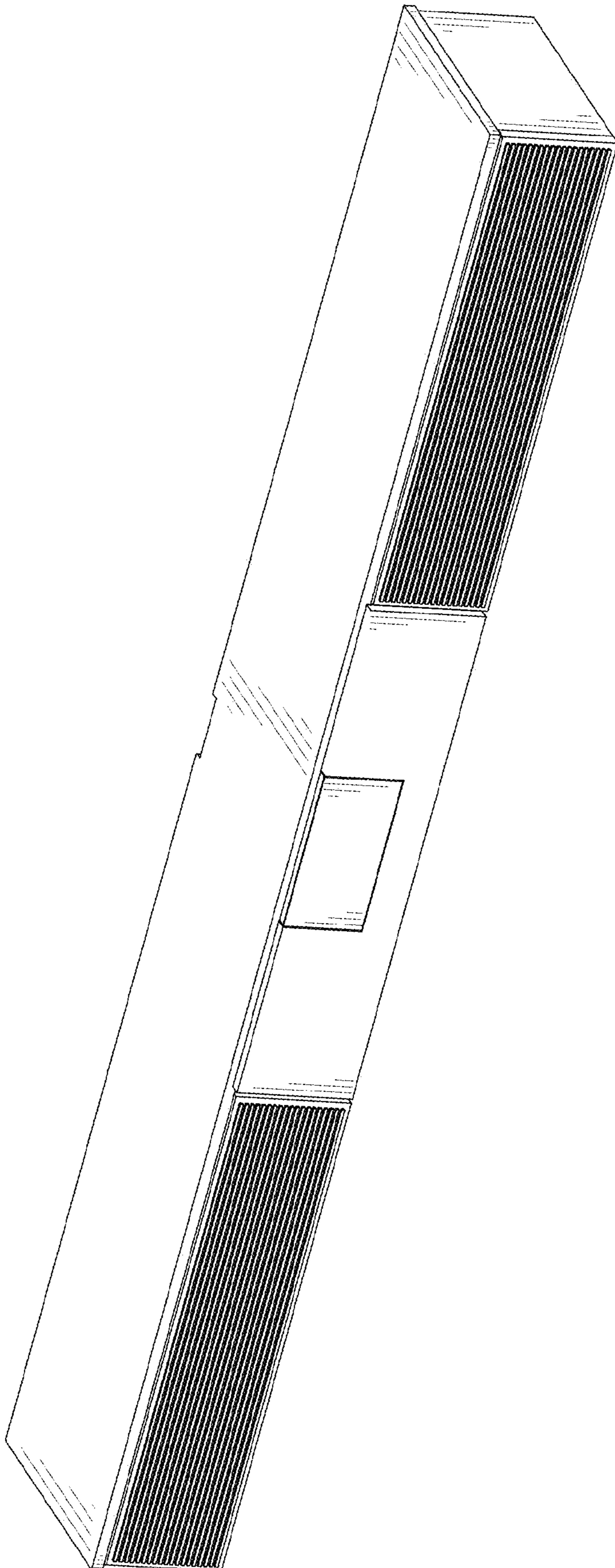


FIG. 18

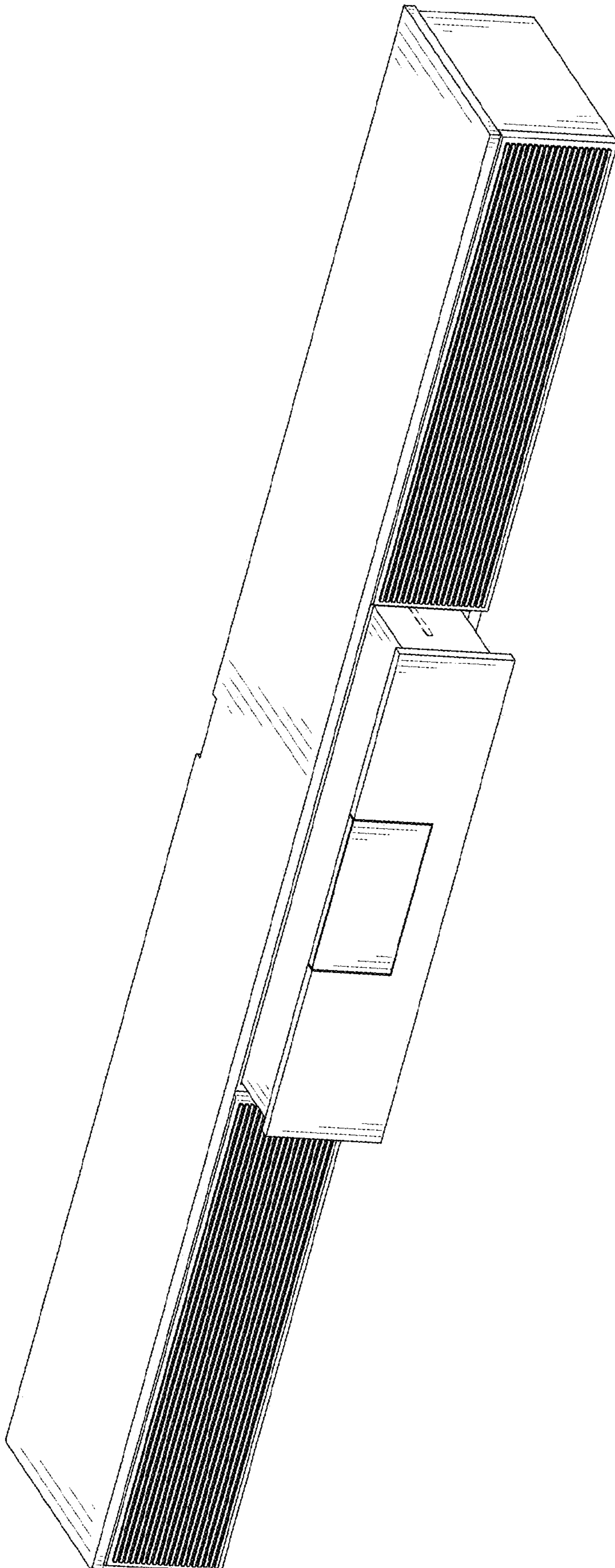


FIG. 19