



US00D876372S

(12) **United States Design Patent** (10) **Patent No.:** **US D876,372 S**
Azar et al. (45) **Date of Patent:** **** Feb. 25, 2020**

(54) **HEAT SINK CLIP AND ATTACHMENT**

OTHER PUBLICATIONS

- (71) Applicant: **Advanced Thermal Solutions, Inc.**,
Norwood, MA (US)
- (72) Inventors: **Kaveh Azar**, Quincy, MA (US); **Vineet Sunil Barot**, Allston, MA (US);
Anatoly Pikovsky, Sharon, MA (US)
- (73) Assignee: **Advanced Thermal Solutions, Inc.**,
Norwood, MA (US)
- (**) Term: **15 Years**

Digi-Key, "Advanced Thermal Solutions Inc. ATS-MG170-R0",
(<https://www.digikey.com/product-detail/en/ATS-MG170-R0/ATS1912-ND/5017820>).

(Continued)

Primary Examiner — April Rivas
(74) *Attorney, Agent, or Firm* — Lieberman & Brandsdorfer, LLC

- (21) Appl. No.: **29/654,812**
- (22) Filed: **Jun. 27, 2018**
- (51) **LOC (12) Cl.** **13-03**
- (52) **U.S. Cl.**
USPC **D13/179**
- (58) **Field of Classification Search**
USPC D13/179, 182; D15/199; D26/138, 141,
D26/152, 142
CPC ... H01L 23/4093; H01L 23/473; H01L 23/46;
H01L 23/467; H01L 23/4006; F21V
29/70; F21S 45/49; F21S 45/47
See application file for complete search history.

(57) **CLAIM**
The ornamental design for a heat sink clip and attachment,
as shown and described.

DESCRIPTION

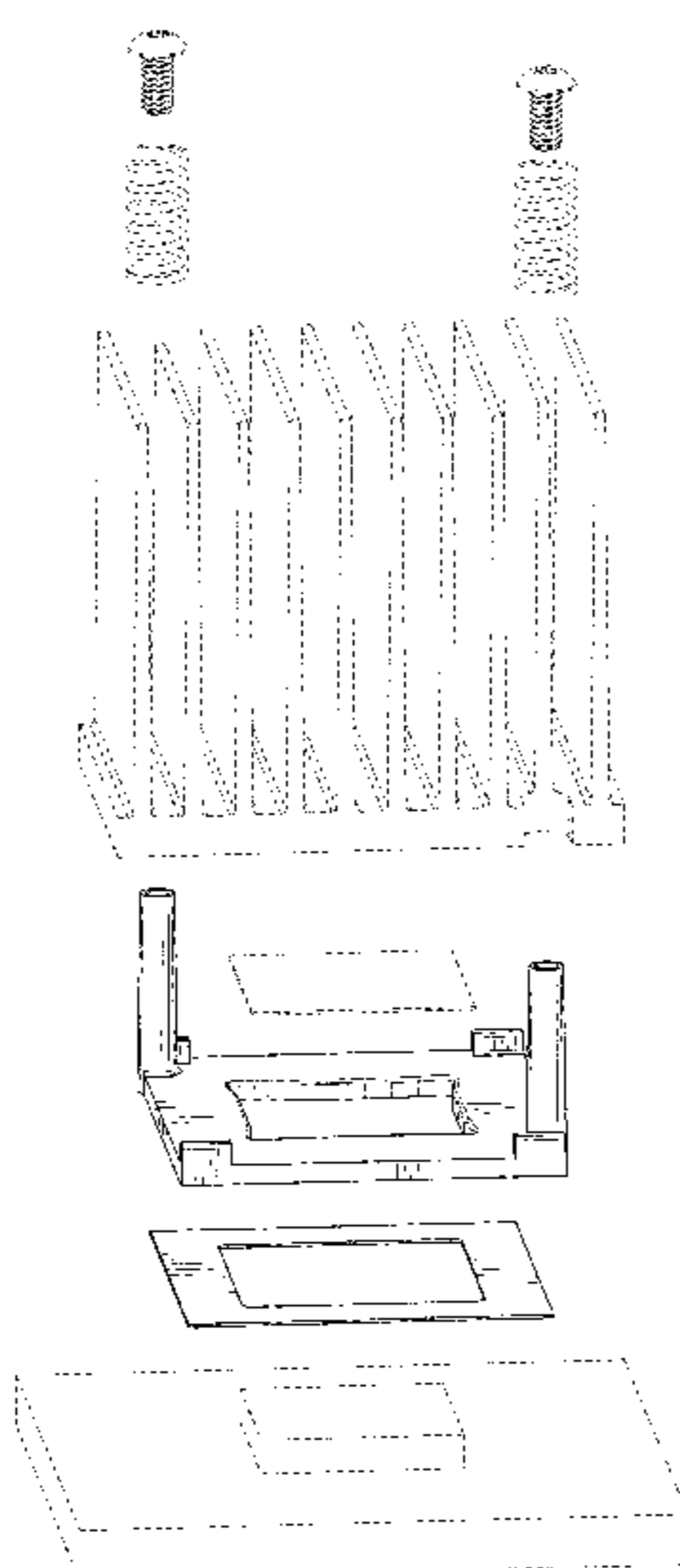
FIG. 1 is a front perspective view of a heat sink clip and attachment showing our new design;
 FIG. 2 is a bottom perspective view of the heat sink clip and attachment showing the new design;
 FIG. 3 is a front view of the heat sink clip and attachment shown in FIG. 1;
 FIG. 4 is a back view of FIG. 1;
 FIG. 5 is a left side view of FIG. 1;
 FIG. 6 is a right side view of FIG. 1;
 FIG. 7 is a top view of FIG. 1;
 FIG. 8 is a bottom view of FIG. 2;
 FIG. 9 is an exploded parts view thereof showing the heat sink clip and attachment, the mounting shown in broken lines;
 FIG. 10 is an assembled parts view thereof showing the heat sink clip and attachment, the mounting shown in broken lines.
 FIG. 11 is a cross-sectional view along the line 11 of FIG. 7; and,
 FIG. 12 is a partial and enlarged cross-sectional view of the detail shown in dash line 12 observed in dot-dash line(s) 12 of FIG. 11.
 The broken lines illustrate the environmental mounting and form no part of the claimed design.

- (56) **References Cited**
U.S. PATENT DOCUMENTS

5,329,426	A	7/1994	Villani
D376,349	S	12/1996	Campanella et al.
5,581,442	A	12/1996	Morosas
5,699,229	A	12/1997	Brownell
5,804,875	A	9/1998	Remsburg et al.
5,881,800	A	3/1999	Chung
6,153,932	A	11/2000	Liang
6,188,131	B1	2/2001	Nereng
6,239,974	B1	5/2001	Tseng
6,392,885	B1	5/2002	Lee et al.
6,396,695	B1	5/2002	Lee et al.

(Continued)

1 Claim, 11 Drawing Sheets



(56)

References Cited

U.S. PATENT DOCUMENTS

D496,006 S 9/2004 Tsai et al.
 6,856,511 B1 2/2005 Viernes et al.
 6,952,348 B2 10/2005 Wu
 6,962,192 B2* 11/2005 Lee H01L 23/4093
 165/67
 6,992,889 B1 1/2006 Kashiwagi et al.
 D514,529 S* 2/2006 Yu D13/179
 7,009,843 B2 3/2006 Lee et al.
 D555,109 S 11/2007 Lee et al.
 7,307,842 B1 12/2007 Liang
 7,498,673 B2 3/2009 Awad et al.
 7,518,875 B2 4/2009 Desrosiers et al.
 7,564,687 B2 7/2009 Liu
 7,606,032 B2 10/2009 Lin
 7,619,892 B2 11/2009 Liang
 D609,198 S* 2/2010 Hsu D13/179
 7,736,153 B2 6/2010 Cheng
 D622,227 S 8/2010 Huang et al.
 7,768,786 B2 8/2010 Liang
 7,785,126 B2 8/2010 Peng et al.
 7,834,444 B2 11/2010 Awad et al.
 D638,807 S 5/2011 Chan et al.
 7,961,473 B1 6/2011 Bohannon et al.
 8,248,786 B2 8/2012 Cheng
 8,274,793 B2 9/2012 Wang et al.
 8,300,413 B2 10/2012 Chen
 8,780,563 B2 7/2014 Lostoski
 9,118,141 B2 8/2015 Yeh
 9,603,286 B2 3/2017 Carpenter et al.
 D804,434 S 12/2017 Lu et al.
 9,875,951 B2 1/2018 Glover et al.
 D835,590 S* 12/2018 Azar D13/179
 D837,753 S* 1/2019 Azar D13/179
 2007/0086170 A1 4/2007 Liang

2008/0128110 A1* 6/2008 Lai H01L 23/4093
 165/80.3
 2008/0144289 A1* 6/2008 Desrosiers H01L 23/4093
 361/719
 2008/0174968 A1* 7/2008 Feng H01L 23/4093
 361/720
 2008/0197483 A1* 8/2008 Ouyang H01L 23/4006
 257/720
 2009/0021917 A1* 1/2009 Floyd H01L 23/4093
 361/719
 2009/0027858 A1* 1/2009 Lai H01L 23/4093
 361/709
 2009/0203245 A1* 8/2009 Chiang H01L 23/4006
 439/331
 2010/0029120 A1* 2/2010 Peng H01L 23/4093
 439/329
 2010/0120268 A1 5/2010 Yeh
 2010/0172105 A1* 7/2010 Liang H01L 23/4093
 361/719
 2010/0200206 A1* 8/2010 Mandrone H01L 23/4093
 165/185
 2011/0304979 A1* 12/2011 Peterson H01L 23/4006
 361/679.47
 2013/0146252 A1* 6/2013 Yang H01L 23/4006
 165/67
 2017/0006696 A1* 1/2017 Ma H01L 23/3672

OTHER PUBLICATIONS

Digi-Key, "Advanced Thermal Solutions Inc. ATS-X50150B-C1-R0", (<https://www.digikey.com/products/en?vendor=Advanced%20Thermal%20Solutions&keywords=ATS1944-ND>).
 Radian, "EZ Snap Clip", (<https://radianheatsinks.com/ez-snap-clip>).

* cited by examiner

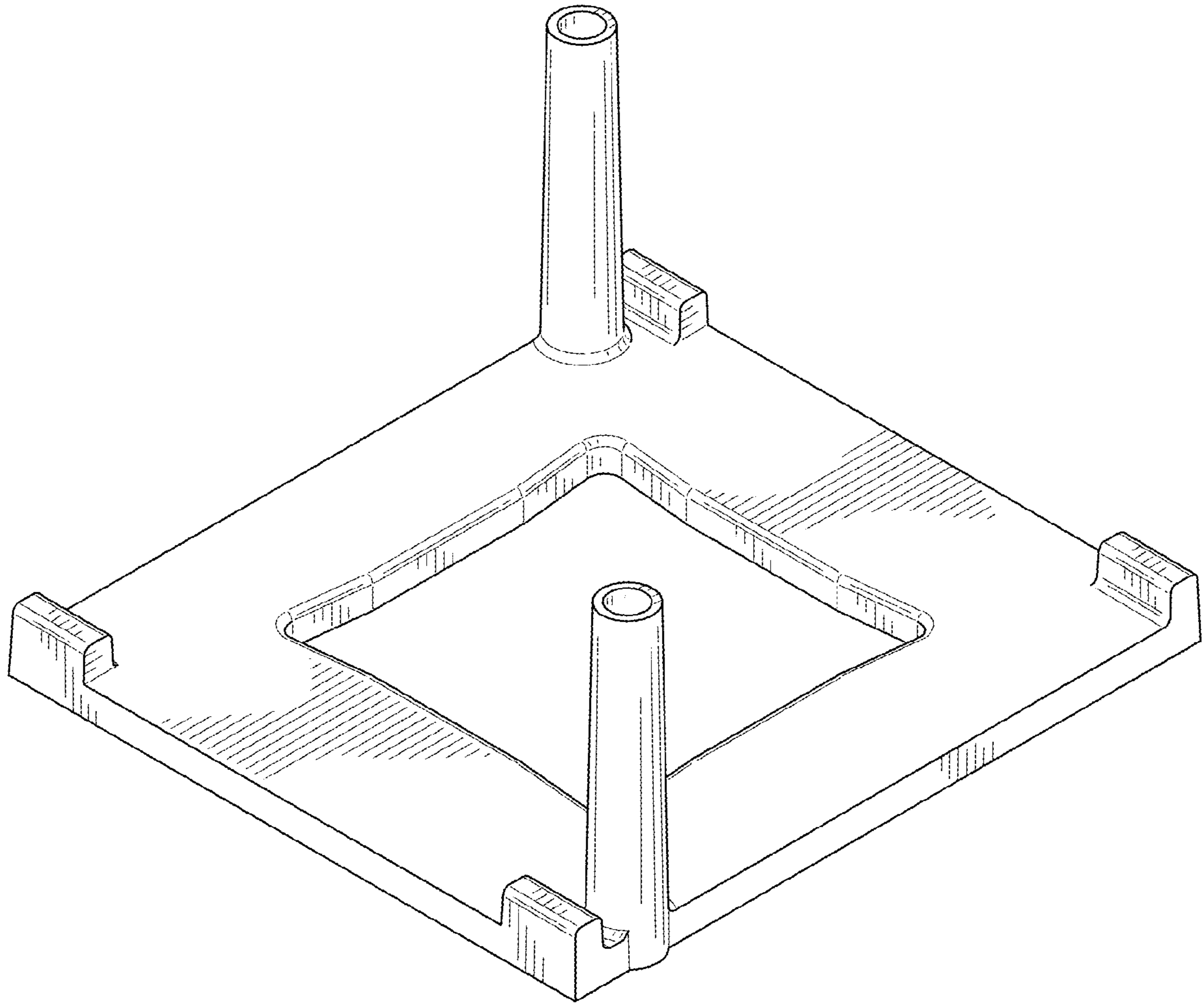


FIG. 1

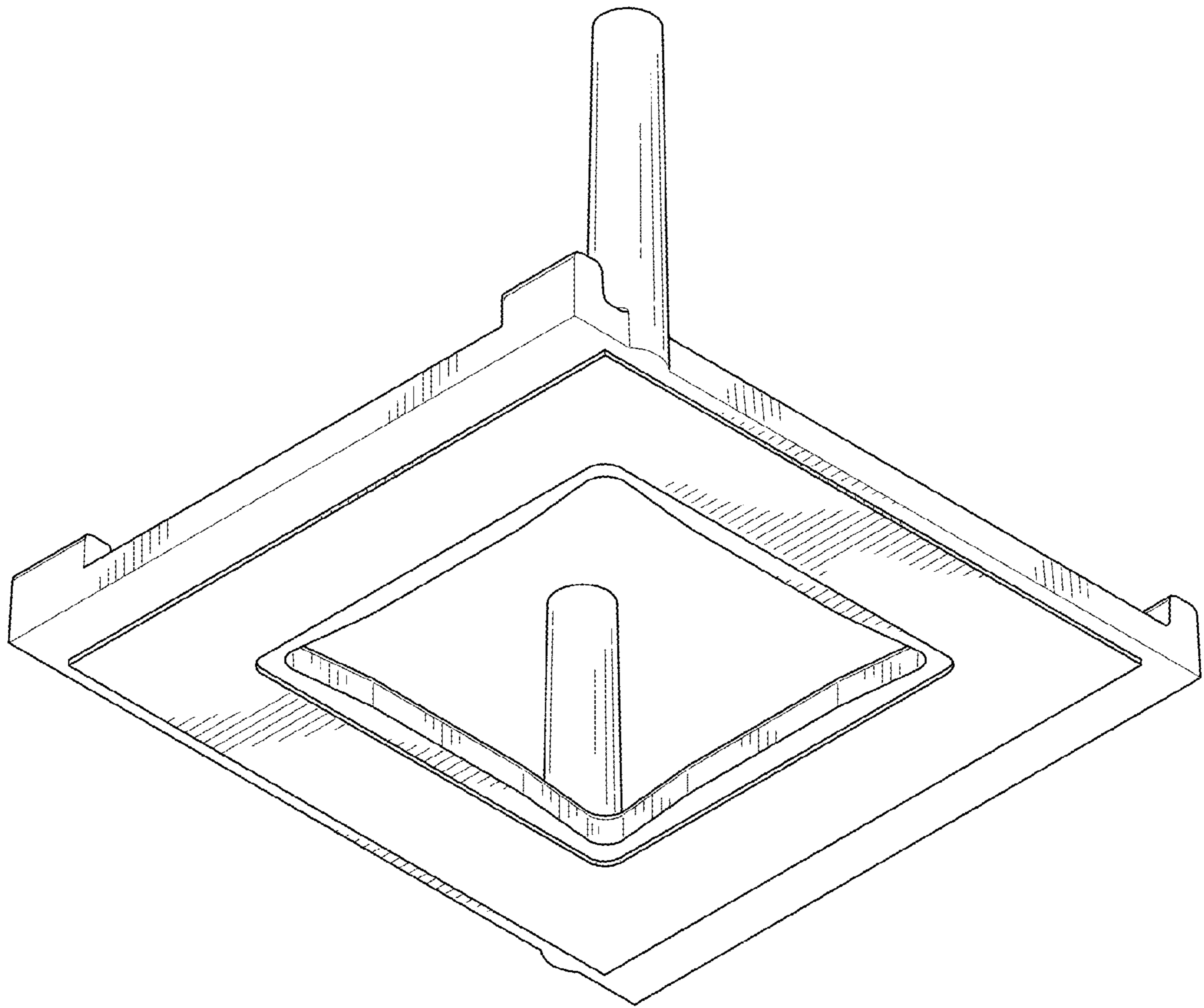


FIG. 2

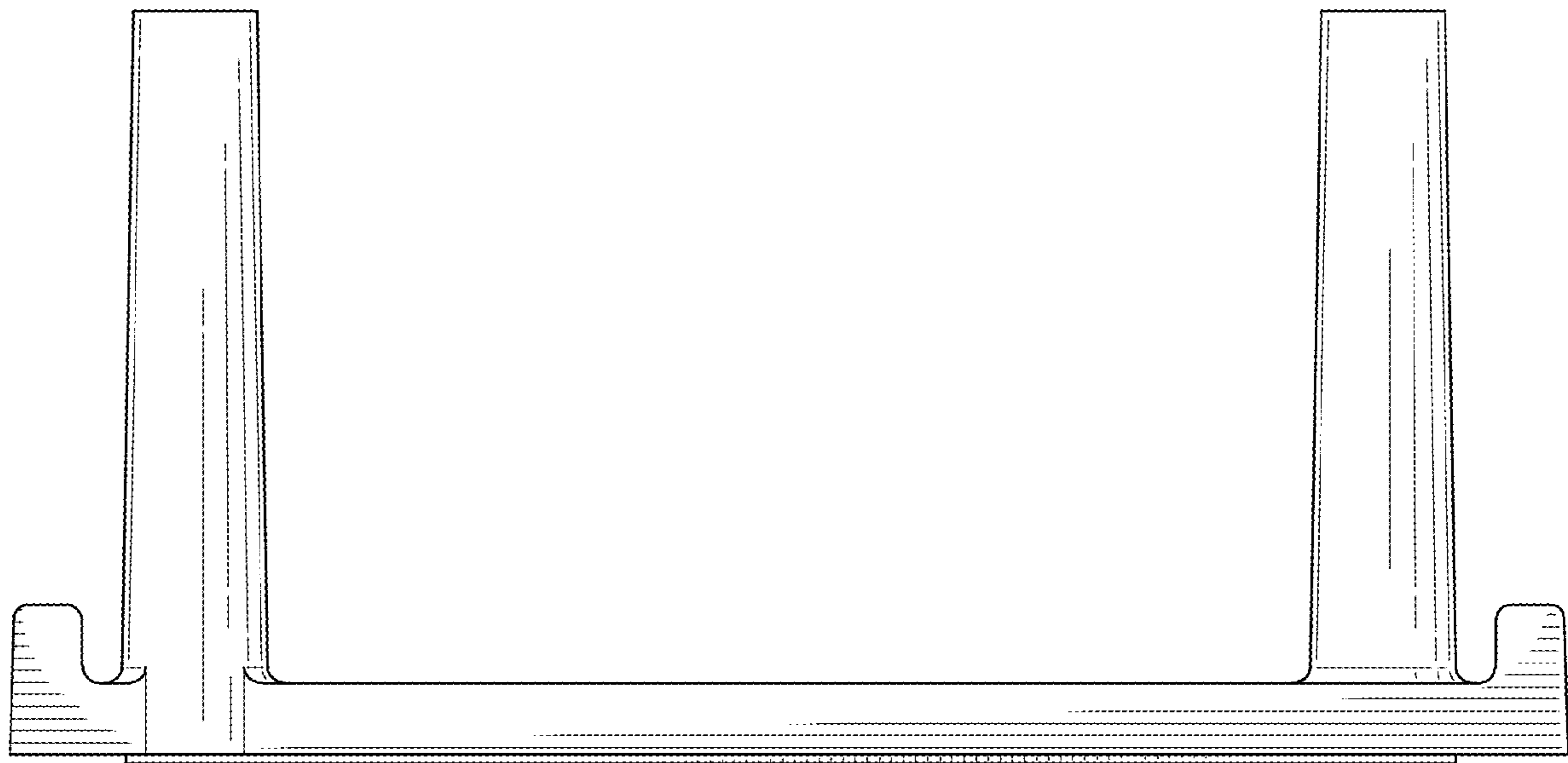


FIG. 3



FIG. 4

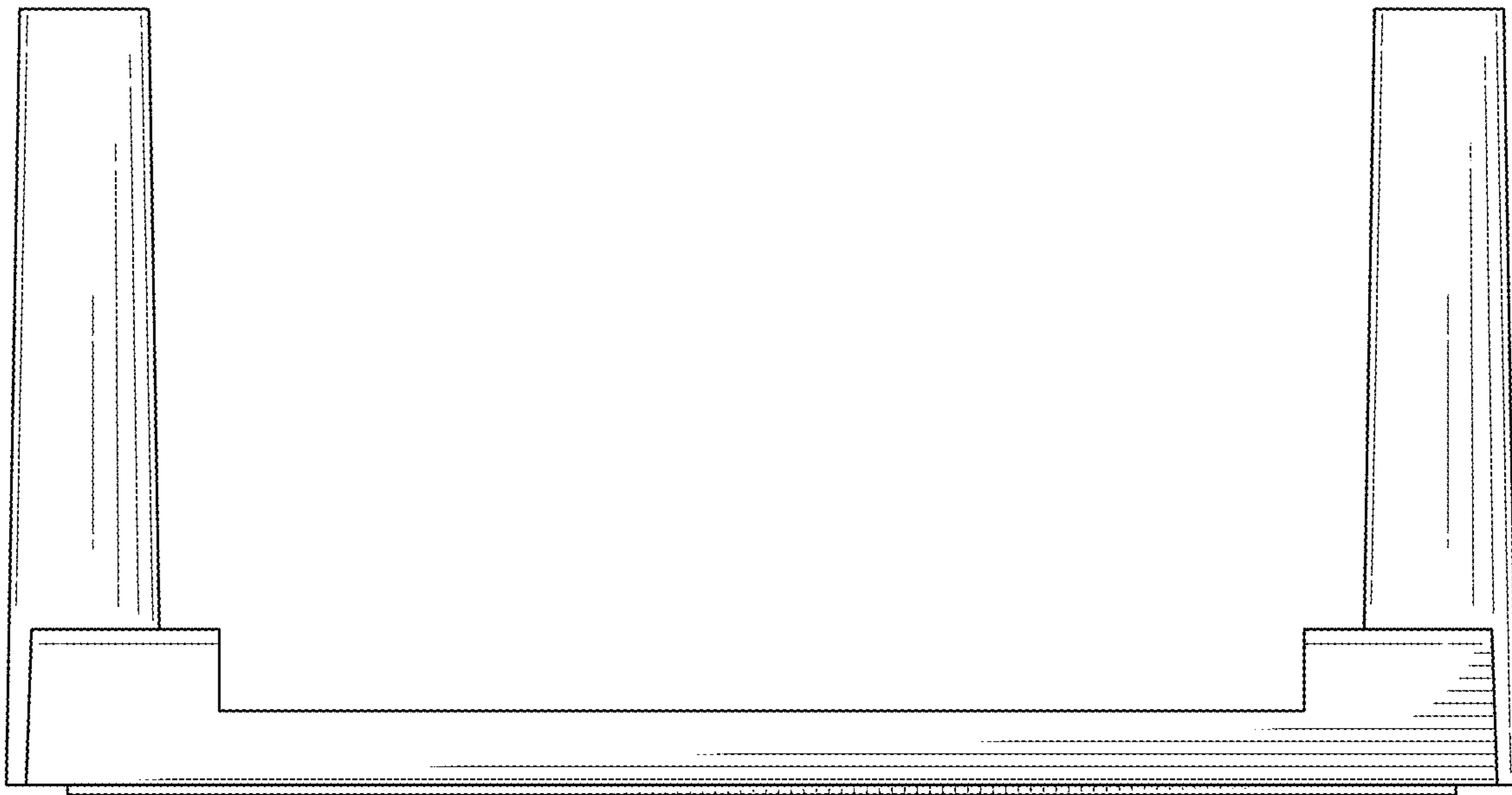


FIG. 5

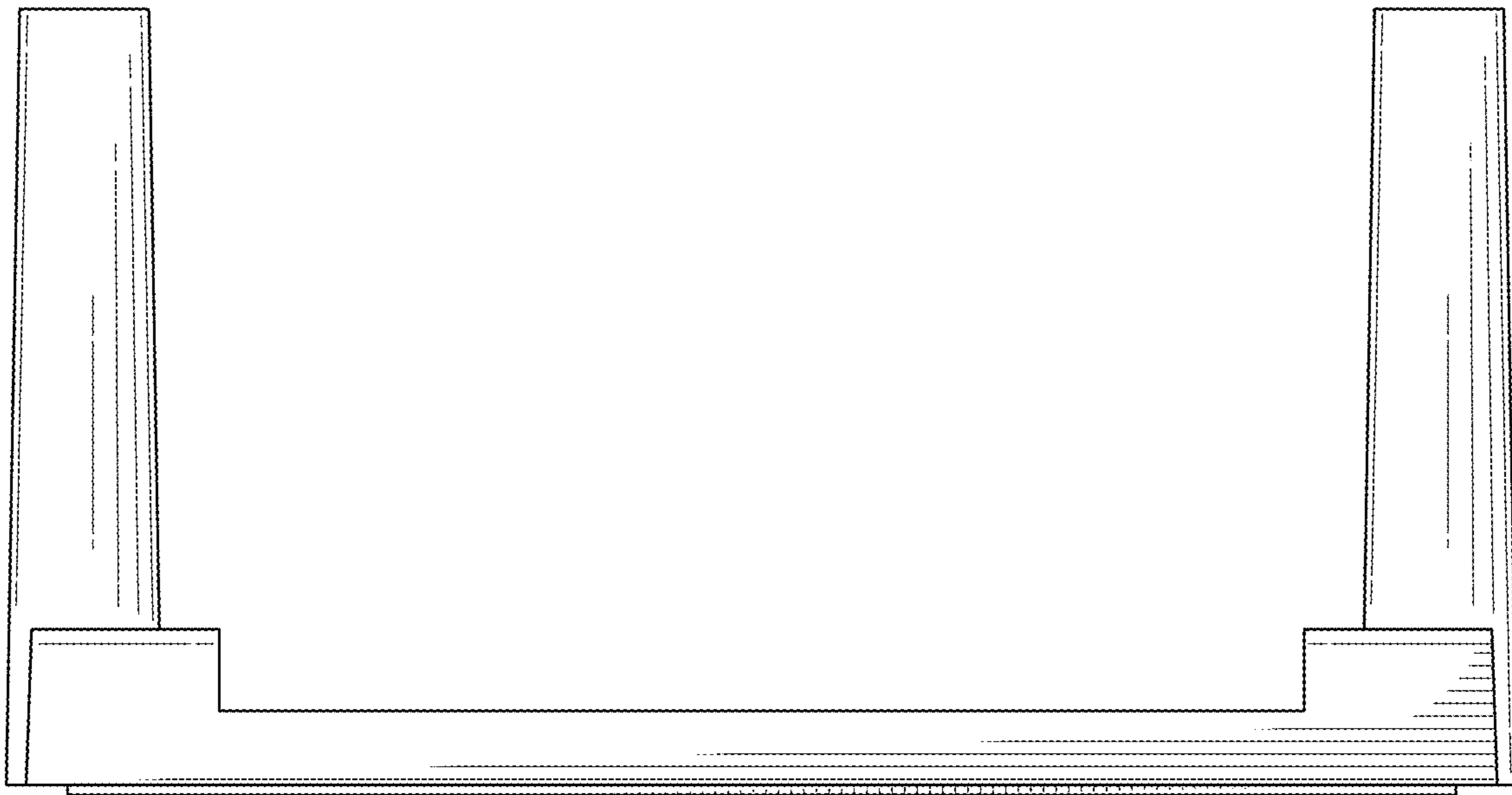


FIG. 6

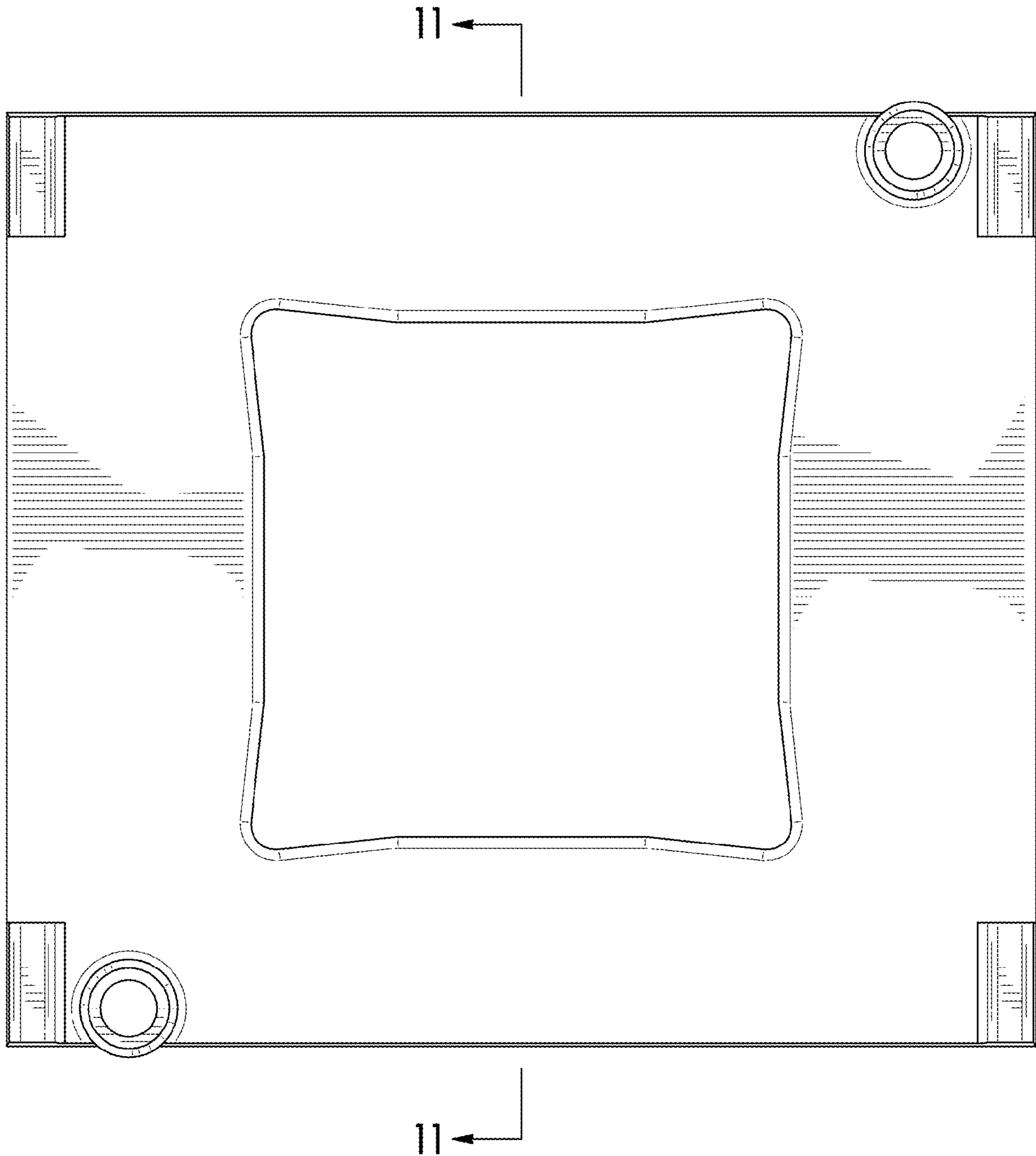


FIG. 7

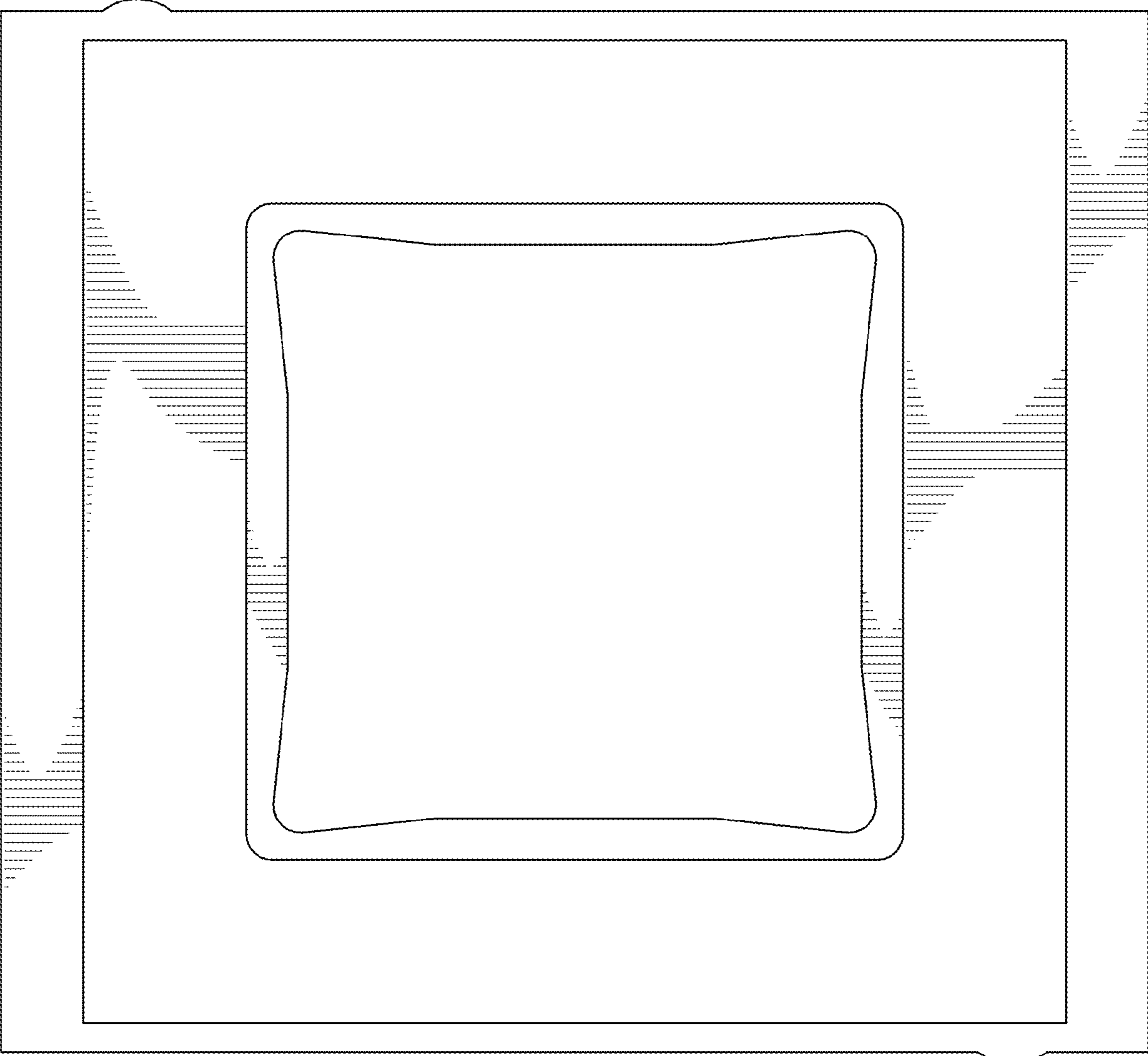


FIG. 8

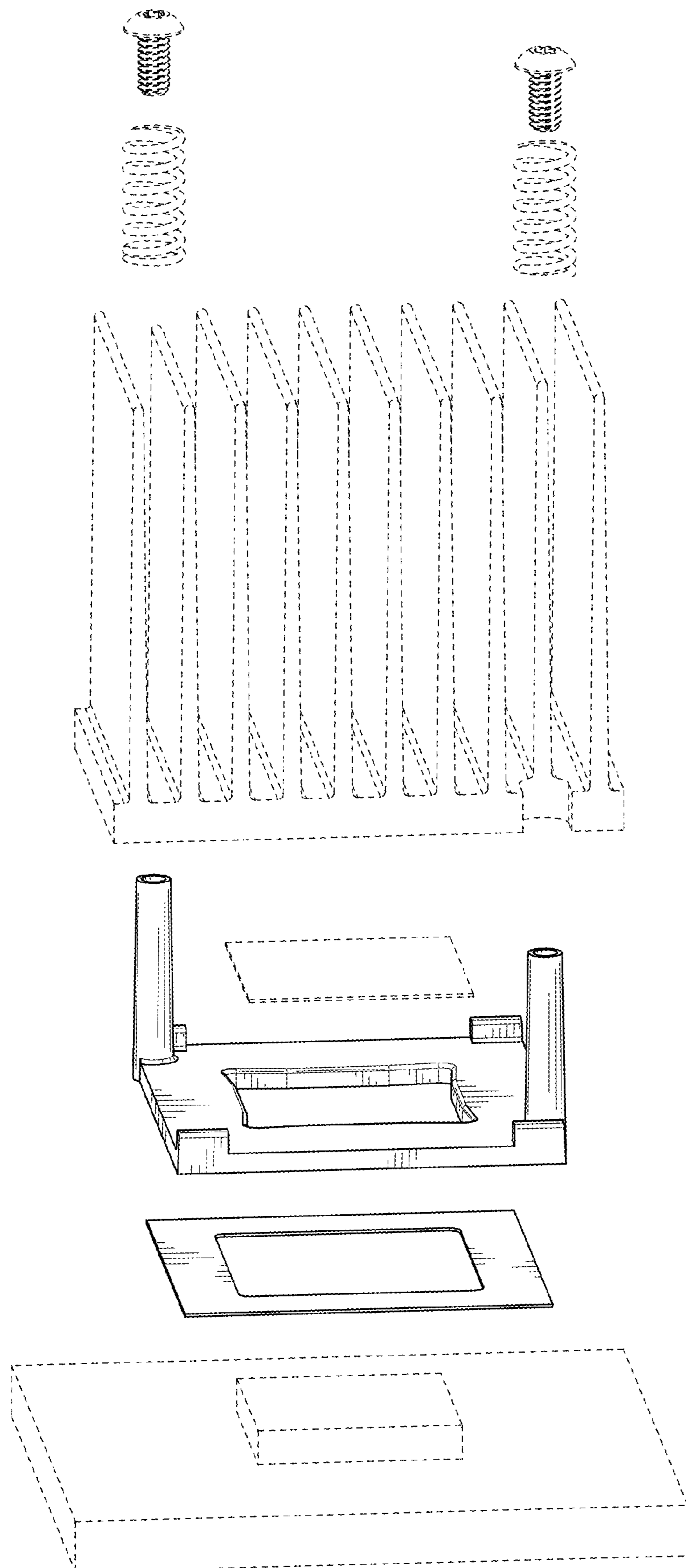


FIG. 9

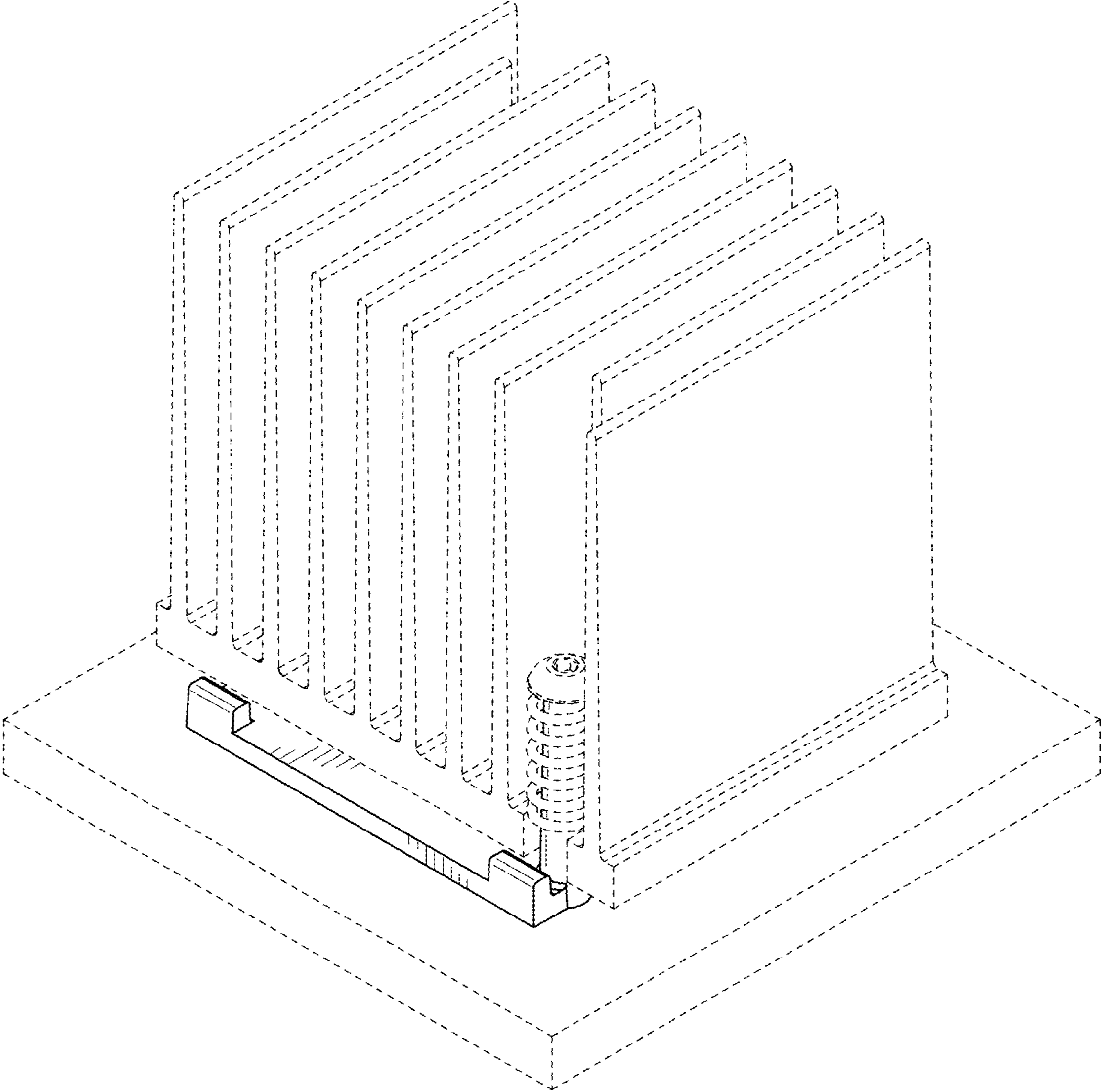


FIG. 10

