



US00D876371S

(12) **United States Design Patent** (10) **Patent No.:** **US D876,371 S**
Lee (45) **Date of Patent:** **** Feb. 25, 2020**

(54) **ELECTRIC CONTROLLER**
(71) Applicant: **Sunbeam Products, Inc.**, Boca Raton, FL (US)
(72) Inventor: **Judy J. Lee**, Highwood, IL (US)
(73) Assignee: **Sunbeam Products, Inc.**, Boca Raton, FL (US)
(**) Term: **15 Years**
(21) Appl. No.: **29/635,754**
(22) Filed: **Feb. 2, 2018**
(51) **LOC (12) Cl.** **14-03**
(52) **U.S. Cl.**
USPC **D13/168**
(58) **Field of Classification Search**
USPC D13/168; D14/218, 240; D10/104.1, D10/106.1; D24/200
CPC H03J 1/0025; H03J 9/00; H03J 9/02; H03J 9/04; H03J 9/06; H04B 1/202; G05B 11/01; G08C 17/00; G08C 17/02; G08C 19/28; G07C 9/00309; G07C 9/00182; G07C 9/00944; G07C 9/00174; G07C 2009/00222; A61F 7/007
See application file for complete search history.

D803,289 S * 11/2017 Glazer D16/203
D819,605 S * 6/2018 Heath D14/218
D821,595 S * 6/2018 Ito D24/200
D828,342 S * 9/2018 Chen D14/240
D834,719 S * 11/2018 Theriot D24/200
D835,085 S * 12/2018 Burmeister-Brown D14/240
2013/0176243 A1* 7/2013 BianRosa G06F 3/017 345/173
2015/0238094 A1* 8/2015 Lai A61B 5/0006 600/301
2017/0188872 A1* 7/2017 Hughes A61B 5/6832
2017/0209693 A1* 7/2017 An A61N 1/0476
2017/0368345 A1* 12/2017 Kong A61N 1/36021
2019/0053938 A1* 2/2019 Mandal A61F 7/007

* cited by examiner

Primary Examiner — Selina Sikder

(74) *Attorney, Agent, or Firm* — Husch Blackwell LLP

(57) **CLAIM**

The ornamental design for the of electric controller, as shown and described.

DESCRIPTION

FIG. 1 depicts a front perspective view of an electric controller of the present disclosure;
FIG. 2 is a front side view of the electric controller of FIG. 1;
FIG. 3 is a rear side view of the electric controller of FIG. 1;
FIG. 4 is a top view of the electric controller of FIG. 1;
FIG. 5 is a bottom view of the electric controller of FIG. 1; and
FIG. 6 is a left side view of the electric controller of FIG. 1; and,
FIG. 7 depicts a right side view of the electric controller of FIG. 1.
The broken lines in the drawings depict portions of the electric controller that form no part of the claimed design.

1 Claim, 5 Drawing Sheets

(56) **References Cited**

U.S. PATENT DOCUMENTS

D609,221 S * 2/2010 Kim D14/218
D619,023 S * 7/2010 Brooking D10/56
D673,512 S * 1/2013 Huang D13/168
D692,939 S * 11/2013 Huang D16/218
D722,983 S * 2/2015 Paredes D13/168
D724,462 S * 3/2015 Bould D10/106.2
D725,049 S * 3/2015 Paredes D13/168
D740,262 S * 10/2015 Hasegawa D14/240
D746,711 S * 1/2016 Li D10/106.1
D768,015 S * 10/2016 Yang D10/118.2

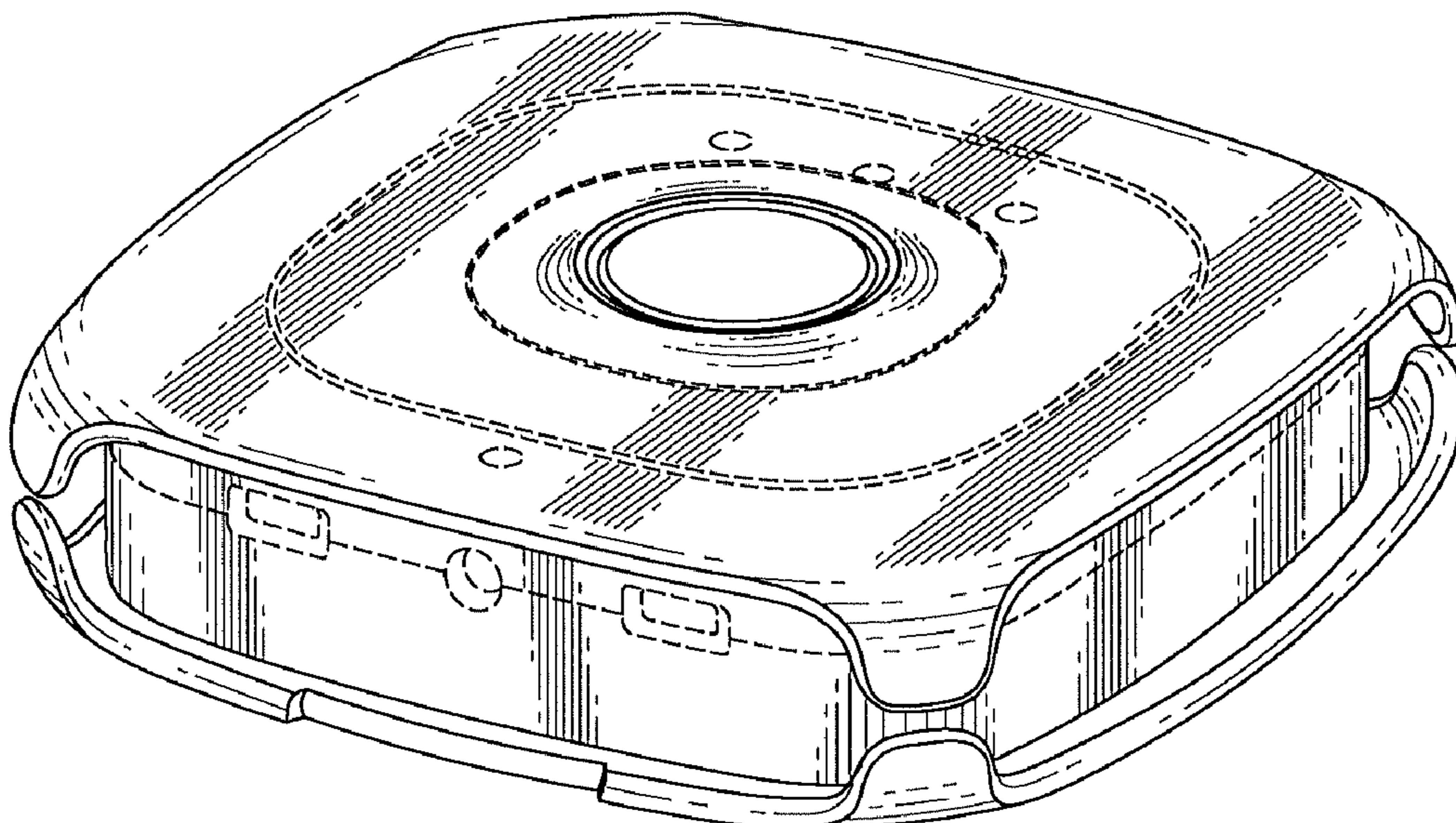
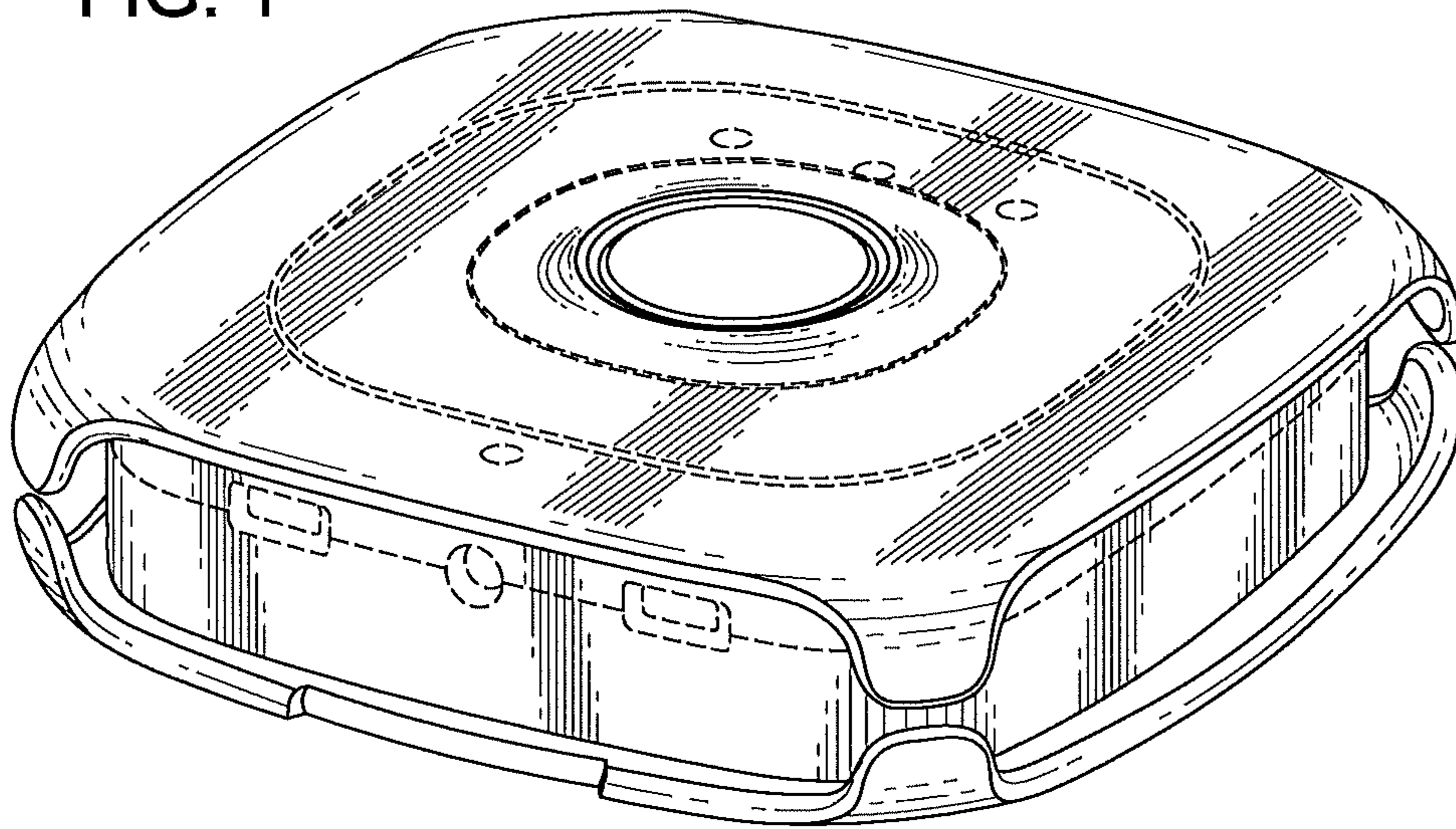


FIG. 1



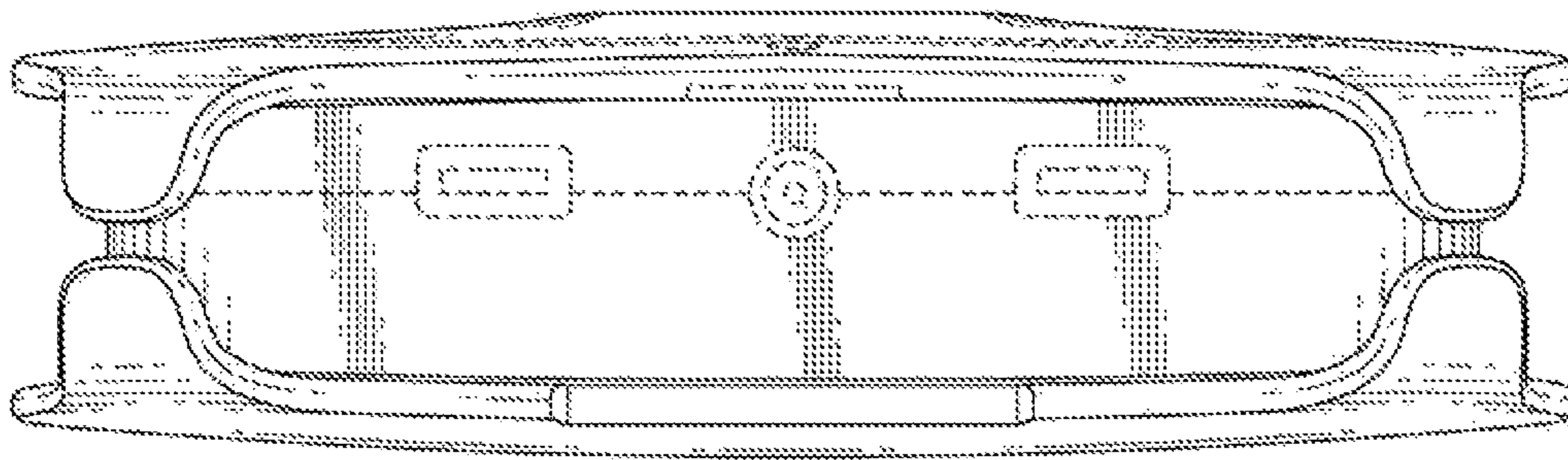


FIG 2

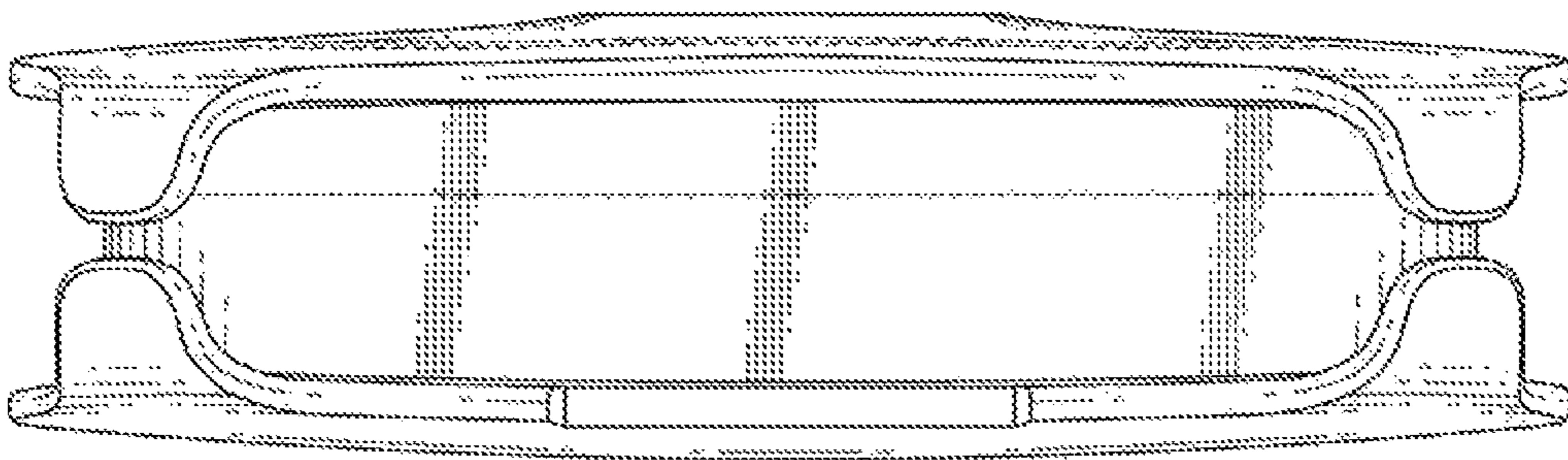
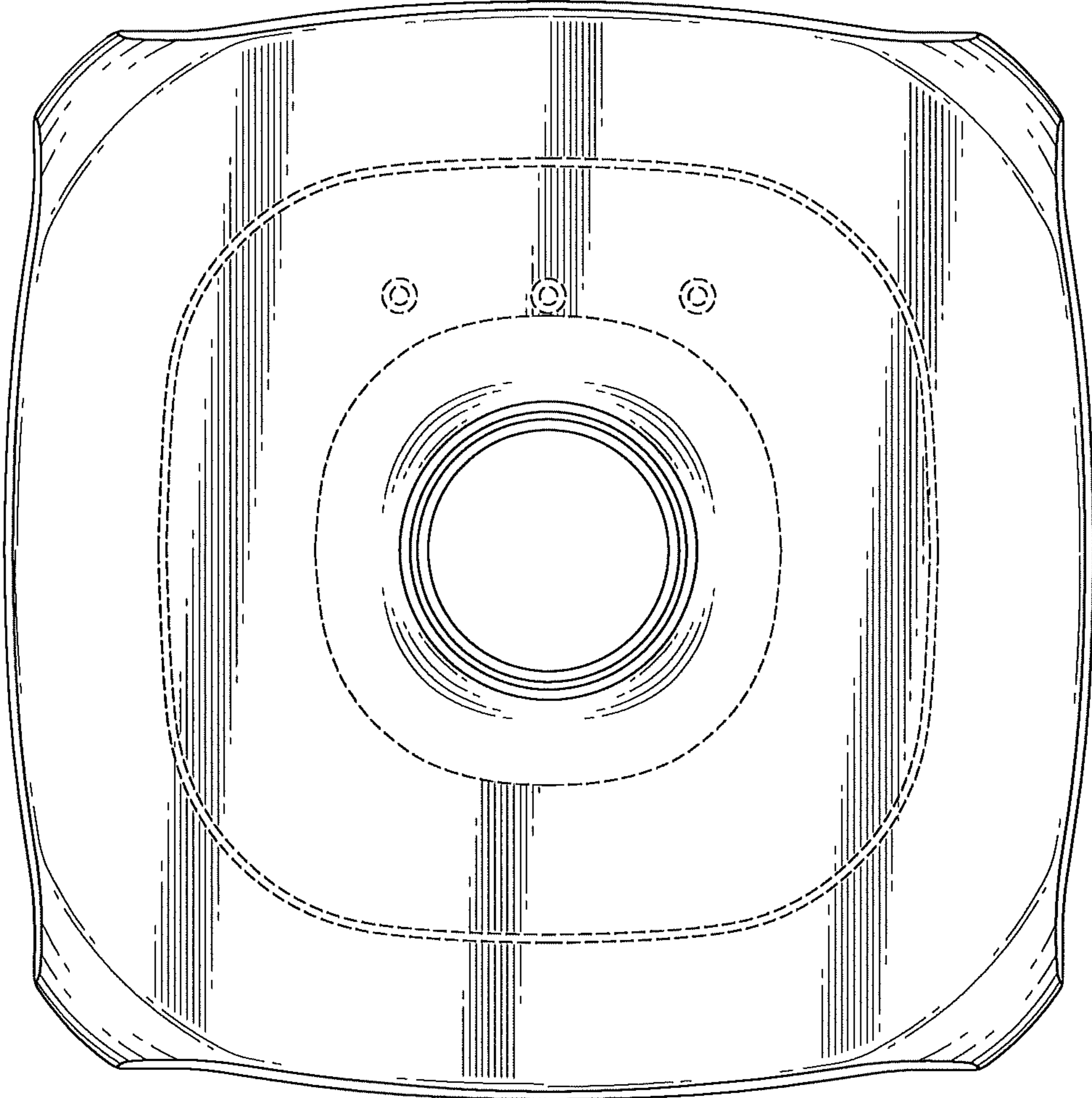


FIG 3

FIG. 4



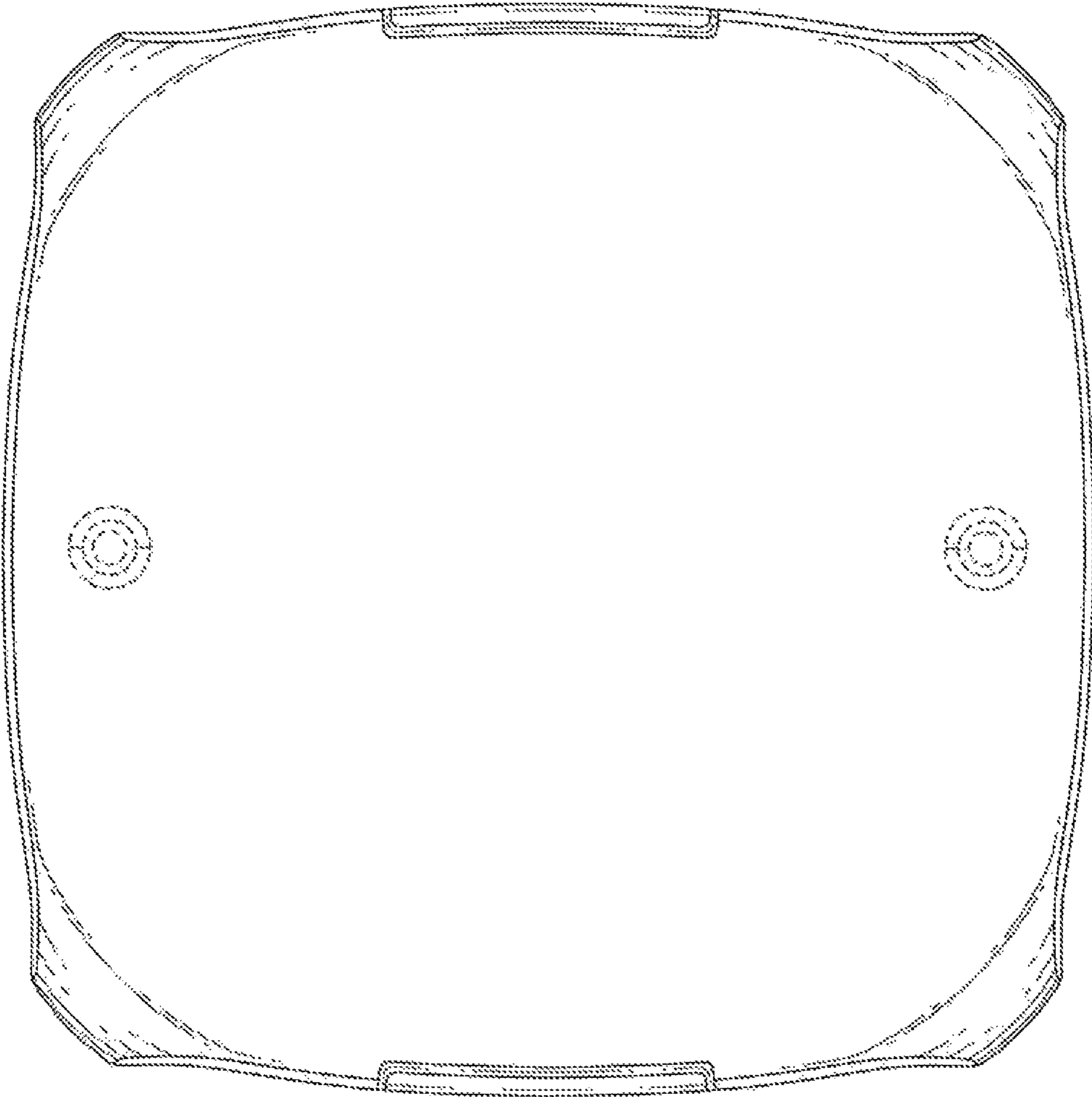


FIG 5

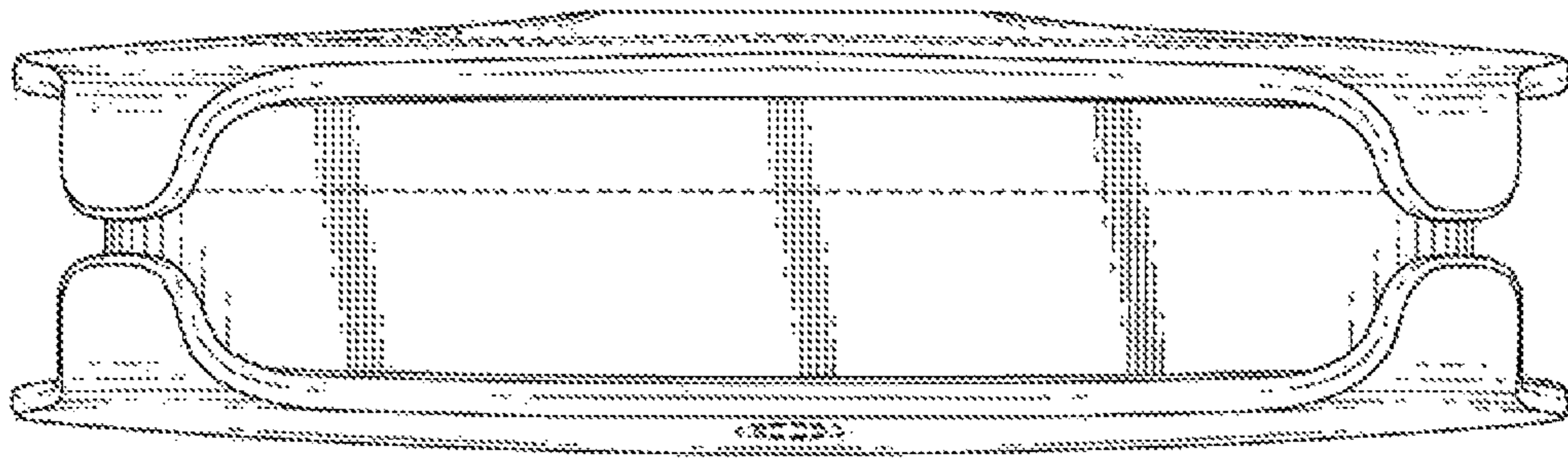


FIG 6

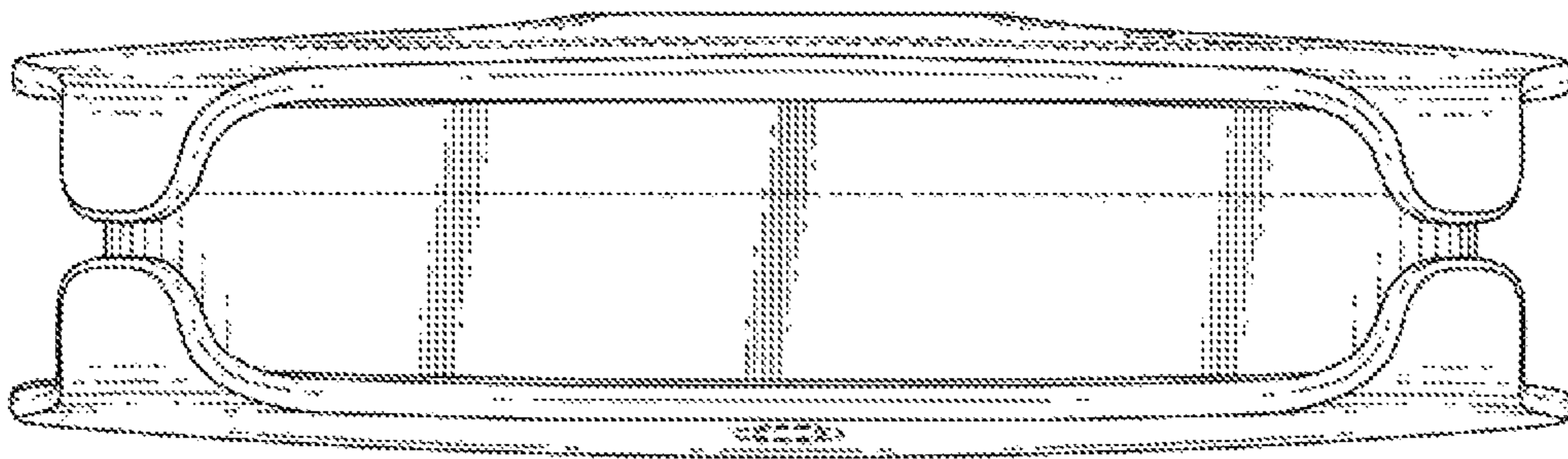


FIG 7