



US00D876370S

(12) **United States Design Patent** (10) **Patent No.:** **US D876,370 S**  
**Byrne et al.** (45) **Date of Patent:** **\*\* Feb. 25, 2020**

(54) **COMBINED RECEPTACLE MOUNT AND COVER**

(71) Applicant: **Norman R. Byrne**, Ada, MI (US)

(72) Inventors: **Norman R. Byrne**, Ada, MI (US);  
**Ryan J. Alt**, Byron Center, MI (US)

(\*\*) Term: **15 Years**

(21) Appl. No.: **29/650,770**

(22) Filed: **Jun. 8, 2018**

(51) **LOC (12) Cl.** ..... **13-03**

(52) **U.S. Cl.**  
USPC ..... **D13/154**

(58) **Field of Classification Search**  
USPC ..... D13/154, 156, 155, 133, 153  
CPC ..... H01R 4/48; H01R 13/621  
See application file for complete search history.

(56) **References Cited**

U.S. PATENT DOCUMENTS

7,182,633	B2	2/2007	Byrne	
D583,320	S *	12/2008	Miyamoto	D13/133
D583,321	S *	12/2008	Miyamoto	D13/133
7,559,795	B2	7/2009	Byrne	
D602,442	S *	10/2009	Allwood	D13/156
8,444,432	B2	5/2013	Byrne et al.	
8,480,429	B2	7/2013	Byrne	
D698,314	S	1/2014	Byrne et al.	
8,736,106	B2	5/2014	Byrne et al.	
D707,635	S *	6/2014	Hagarty	D13/156
D732,482	S *	6/2015	Hagarty	D13/156
D738,317	S *	9/2015	Hagarty	D13/156
D745,466	S *	12/2015	Hagarty	D13/153

9,246,317	B2	1/2016	Byrne et al.	
D813,171	S *	3/2018	Chaillet	D13/154
10,172,263	B1 *	1/2019	Martin	H05K 9/0035
2010/0317223	A1 *	12/2010	Byrne	H01R 13/514 439/540.1
2012/0127637	A1 *	5/2012	Byrne	G04G 15/006 361/627

\* cited by examiner

*Primary Examiner* — Bridget L Eland

(74) *Attorney, Agent, or Firm* — Gardner, Linn, Burkhardt & Ondersma LLP

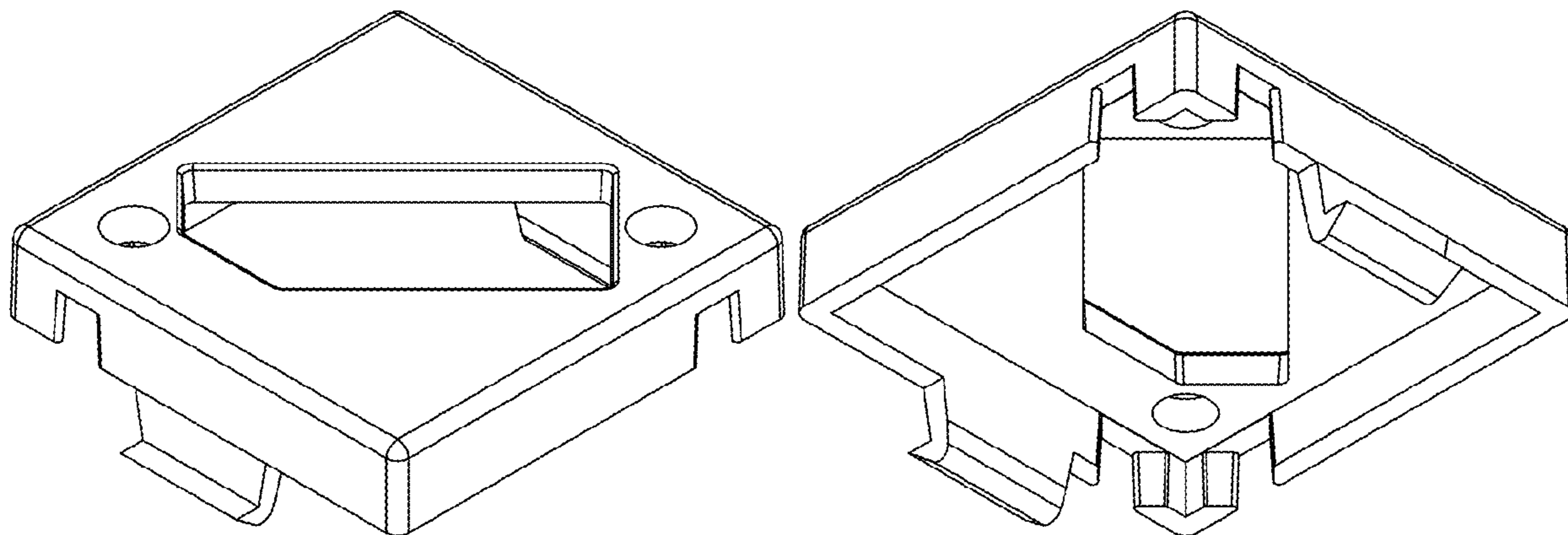
(57) **CLAIM**

The ornamental design for a combined receptacle mount and cover, as shown and described.

**DESCRIPTION**

FIG. 1 is a front perspective view of a combined receptacle mount and cover showing our new design, viewed from above and to the right;  
 FIG. 2 is another front perspective view thereof, viewed from below and to the right;  
 FIG. 3 is a rear perspective view thereof, viewed from above and to the right;  
 FIG. 4 is another rear perspective view thereof, viewed from below and to the right;  
 FIG. 5 is a front elevation thereof;  
 FIG. 6 is a rear elevation thereof;  
 FIG. 7 is a top plan view thereof;  
 FIG. 8 is a bottom plan view thereof;  
 FIG. 9 is a right side elevation thereof; and,  
 FIG. 10 is a left side elevation thereof.

**1 Claim, 2 Drawing Sheets**



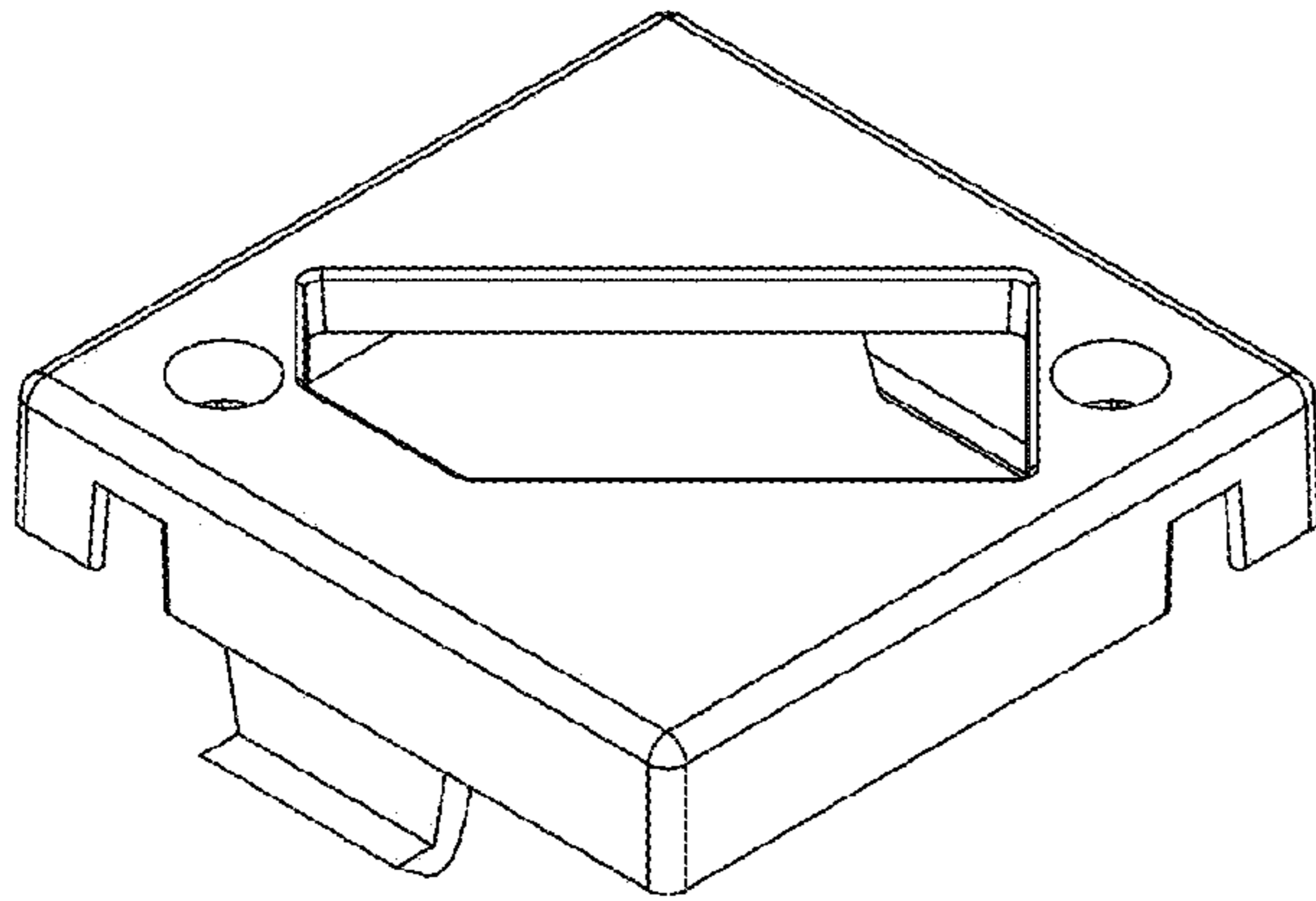


Fig. 1

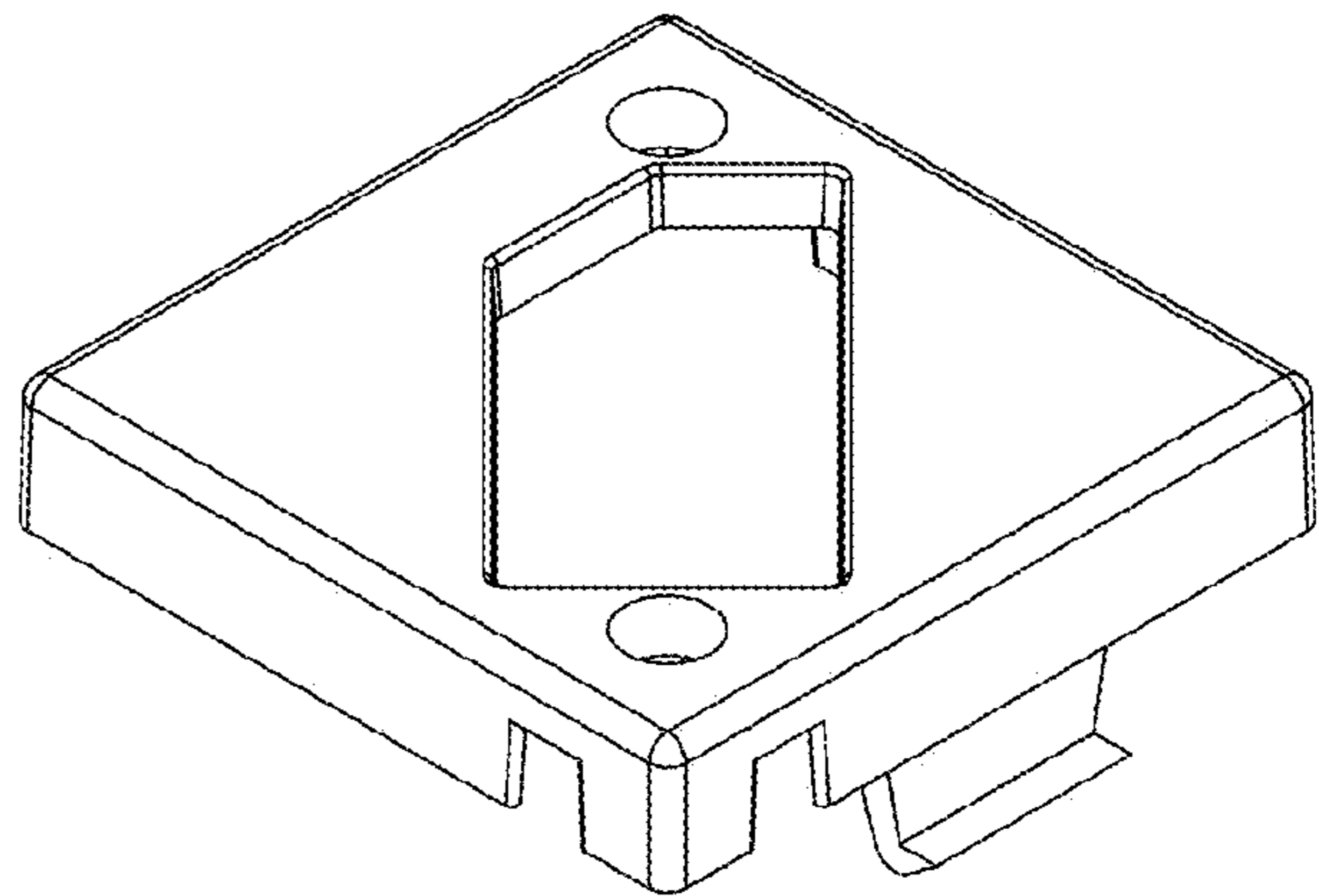


Fig. 2

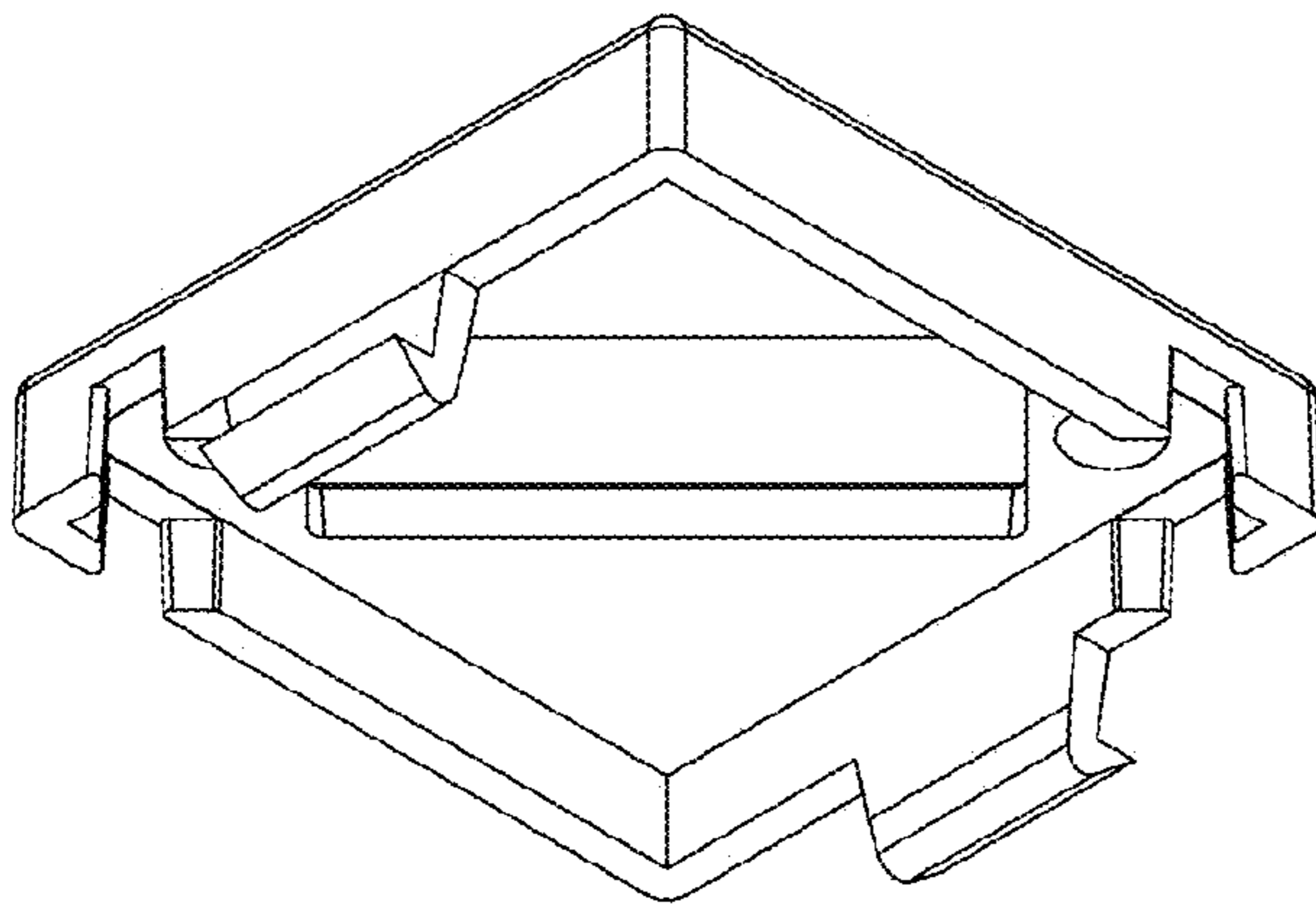


Fig. 3

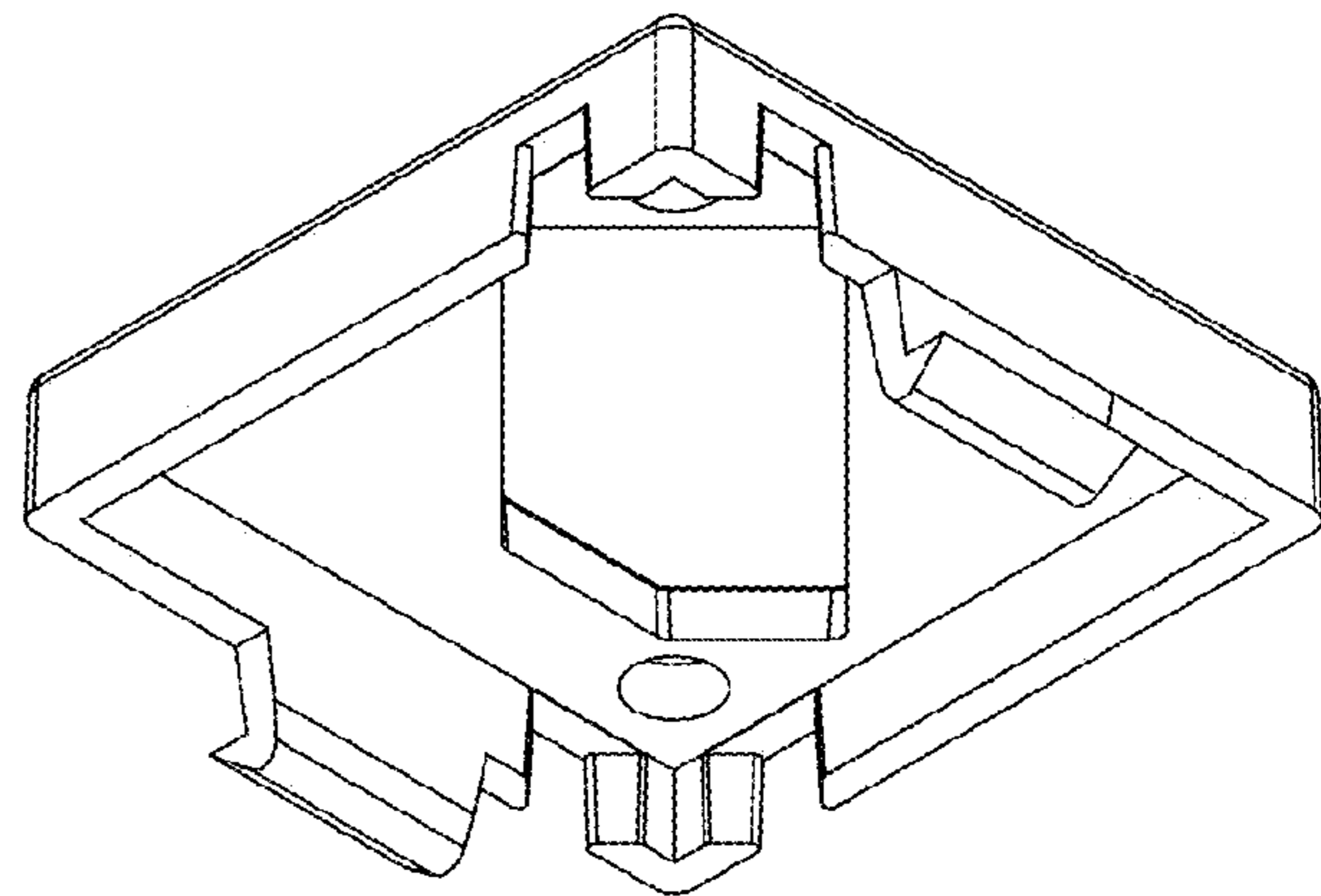


Fig. 4

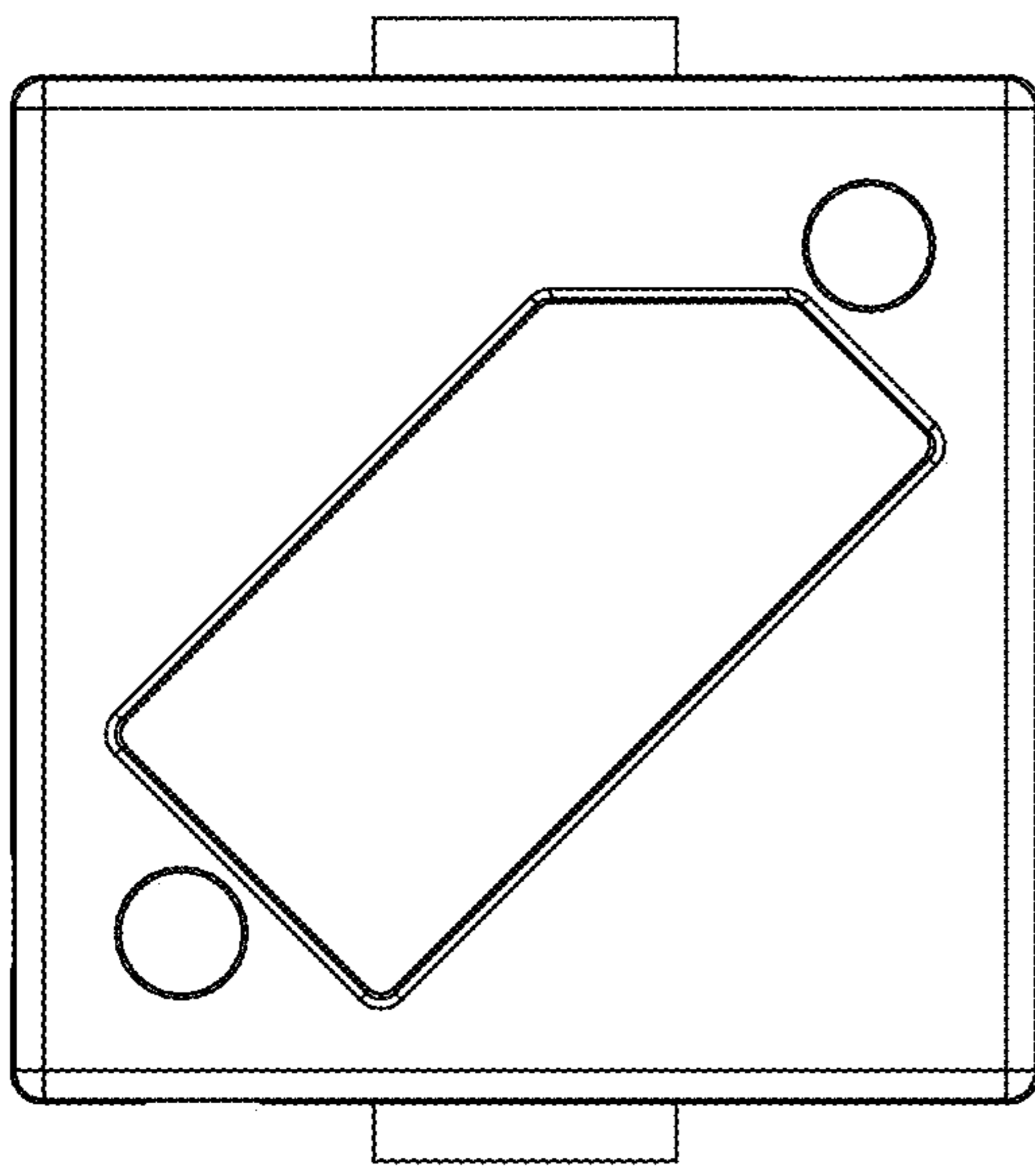


Fig. 5

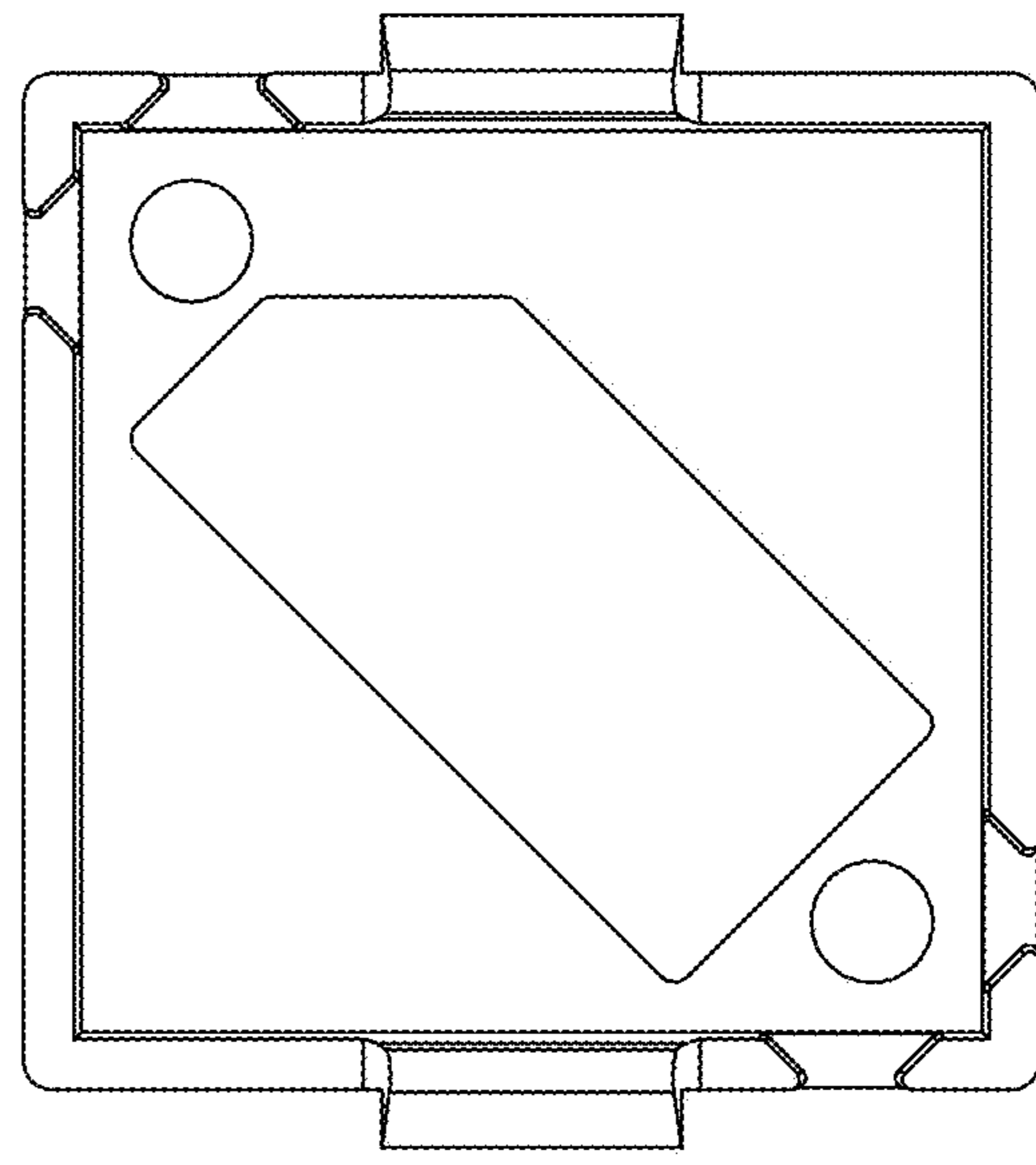


Fig. 6

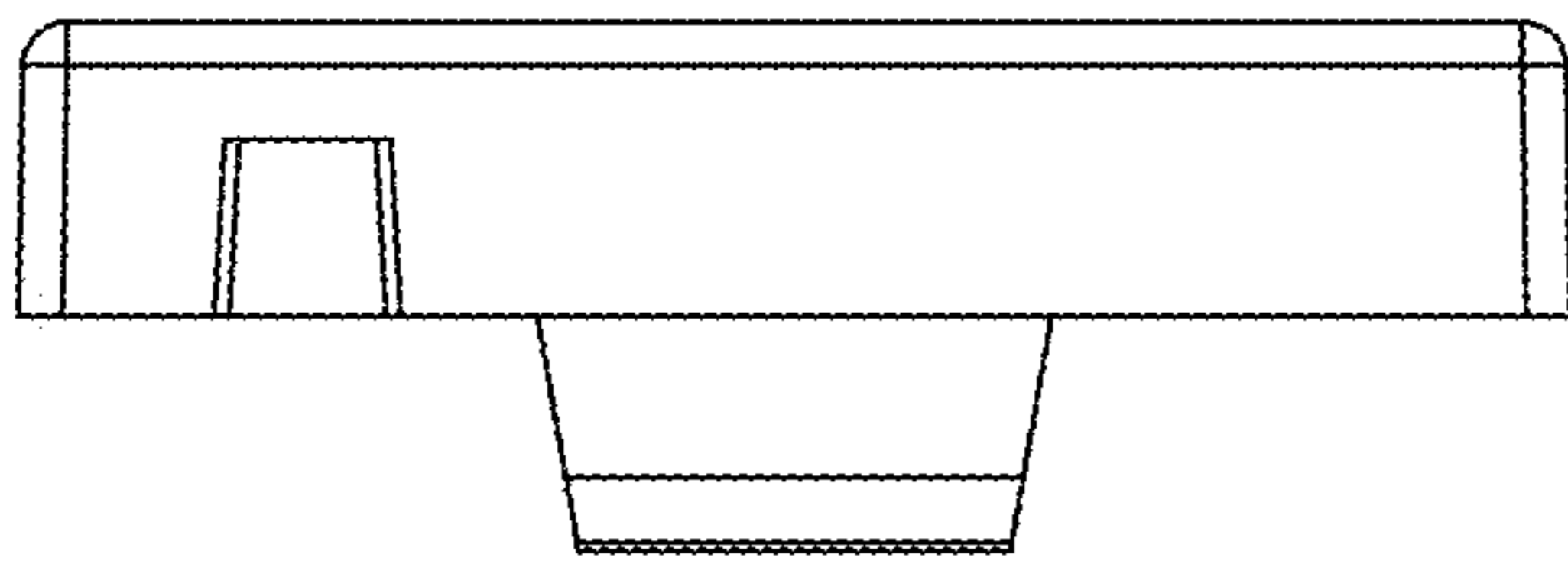


Fig. 7

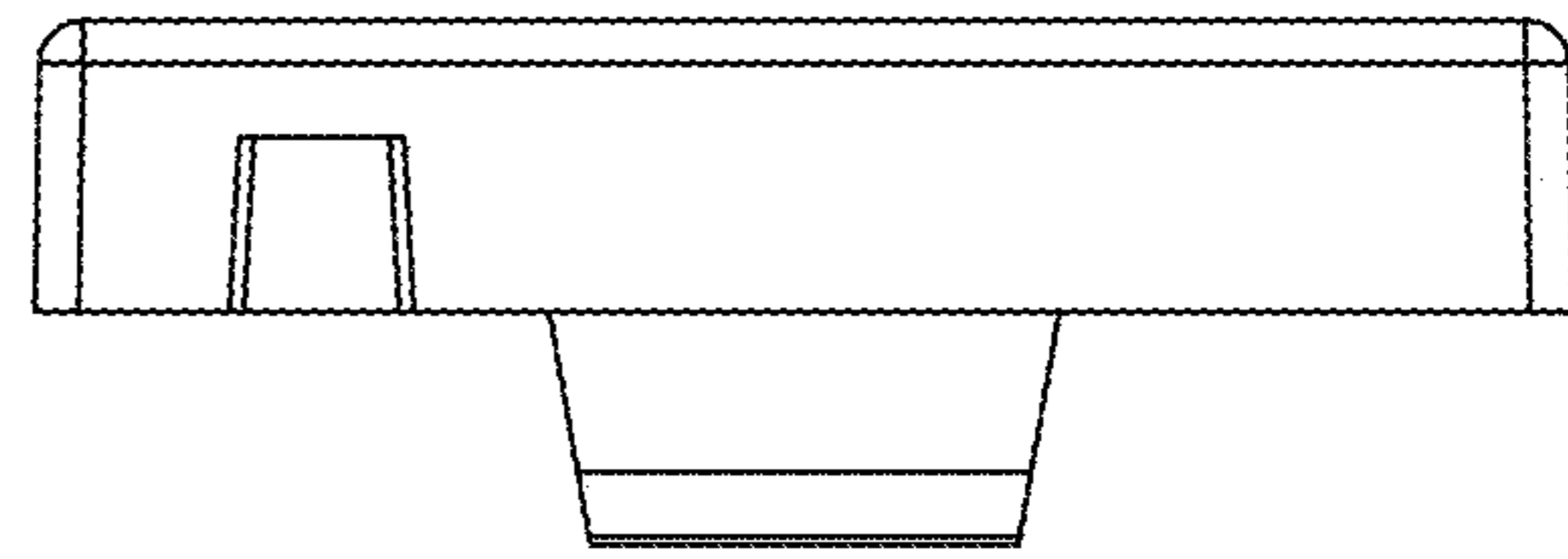


Fig. 8

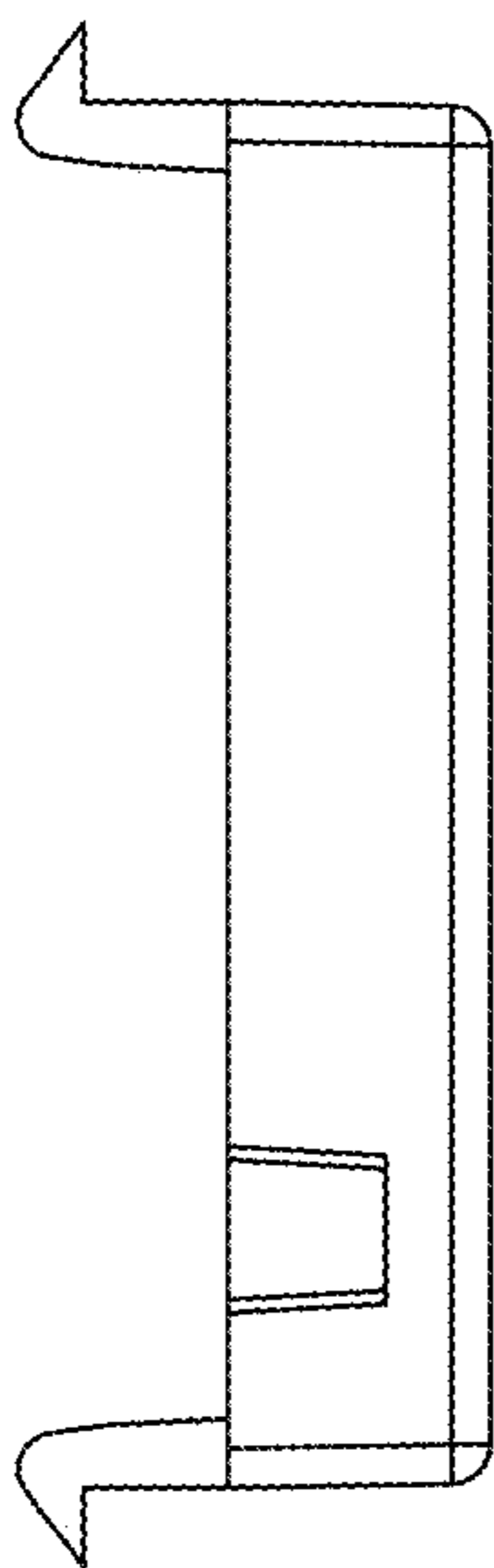


Fig. 9

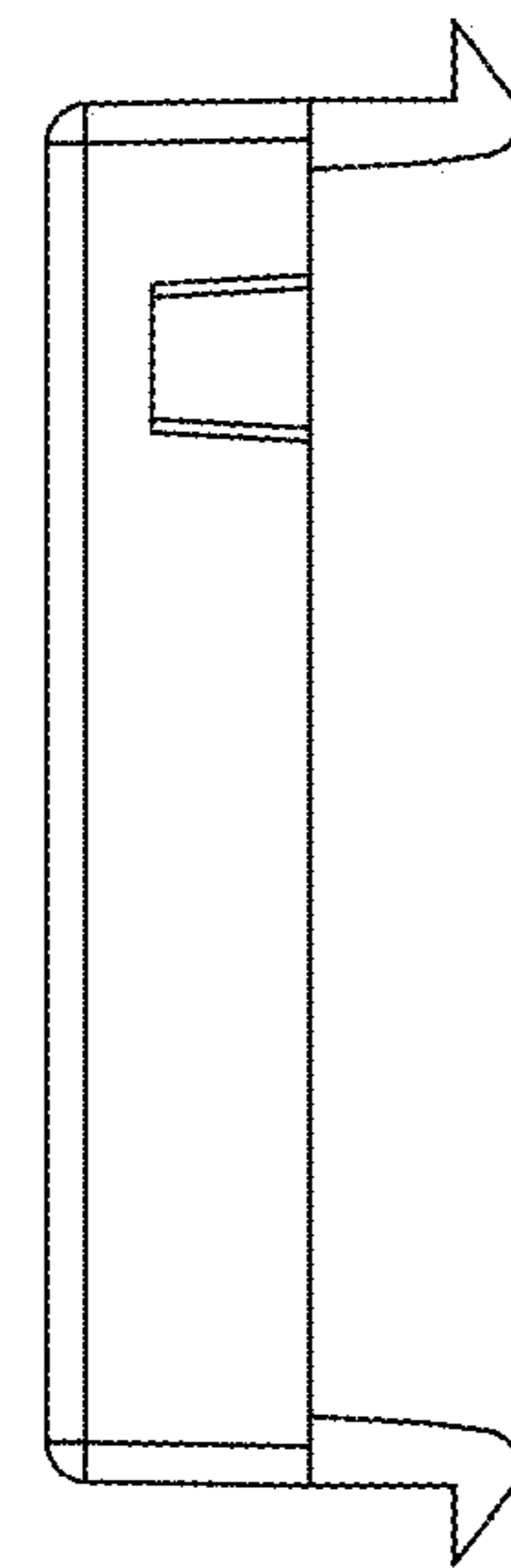


Fig. 10