



US00D876368S

(12) **United States Design Patent**
Yokoyama

(10) **Patent No.:** **US D876,368 S**

(45) **Date of Patent:** **** Feb. 25, 2020**

(54) **ELECTRICAL CONNECTOR**

(71) Applicant: **Japan Aviation Electronics Industry, Limited**, Tokyo (JP)

(72) Inventor: **Yohei Yokoyama**, Tokyo (JP)

(73) Assignee: **JAPAN AVIATION ELECTRONICS INDUSTRY, LIMITED**, Tokyo (JP)

(**) Term: **15 Years**

(21) Appl. No.: **29/674,916**

(22) Filed: **Dec. 27, 2018**

(30) **Foreign Application Priority Data**

Jul. 6, 2018 (JP) 2018-014949

(51) **LOC (12) Cl.** **13-03**

(52) **U.S. Cl.**
USPC **D13/147**

(58) **Field of Classification Search**

USPC D13/110, 123, 133, 146, 147, 149, 153,
D13/154, 156, 173, 177, 178, 184, 199
CPC H01R 12/70; H01R 13/05; H01R 13/502;
H01R 13/504; H01R 13/627; H01R
13/629; H01R 13/631; H01R 13/648;
H01R 13/6582; H01R 13/6583; H01R
13/6591

See application file for complete search history.

(56) **References Cited**

U.S. PATENT DOCUMENTS

D476,955 S * 7/2003 Ushiro D13/147
D511,324 S * 11/2005 Tanaka D13/120
D517,491 S * 3/2006 Nishio D13/147
D525,944 S * 8/2006 Katoh D13/147
D595,232 S * 6/2009 Mao D13/147
D699,682 S * 2/2014 Yokoyama D13/147
D768,085 S * 10/2016 Yokoyama D13/147
D769,196 S * 10/2016 Yokoyama D13/147
9,685,737 B2 * 6/2017 Tsai H01R 13/6585

D807,300 S * 1/2018 Lambie D13/147
D837,161 S * 1/2019 Yokoyama D13/147
D859,316 S * 9/2019 Zhang D13/146
2009/0209132 A1 * 8/2009 Sato H01R 12/725
439/607.41
2017/0093062 A1 * 3/2017 Yokoyama H01R 12/7047
2017/0125944 A1 * 5/2017 Yokoyama H01R 13/05
2018/0151985 A1 * 5/2018 Zhang H01R 13/6583

(Continued)

FOREIGN PATENT DOCUMENTS

JP 2017068981 * 4/2017 H01R 13/6594

Primary Examiner — Angela J Lee

Assistant Examiner — Shawn T Gingrich

(74) *Attorney, Agent, or Firm* — Manabu Kanesaka

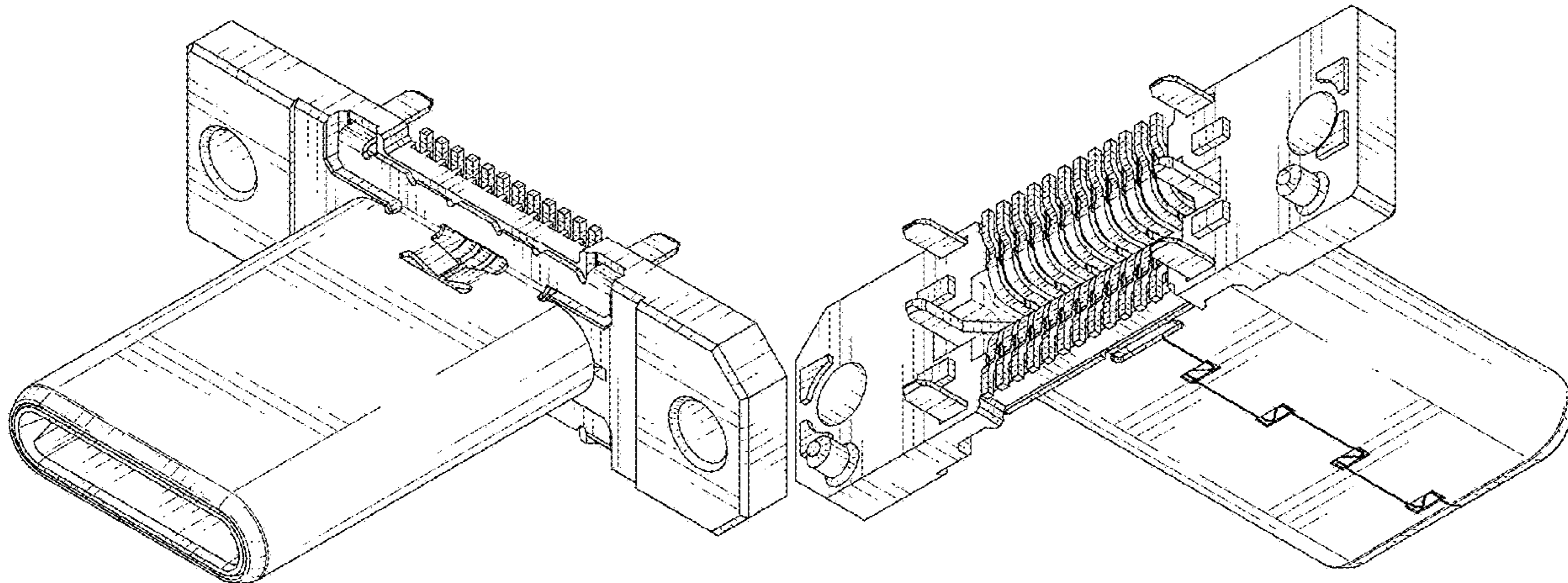
(57) **CLAIM**

The ornamental design for an electrical connector, as shown and described.

DESCRIPTION

FIG. 1 is a front elevational view of an electrical connector showing my new design;
FIG. 2 is a rear elevational view thereof;
FIG. 3 is a right side elevational view thereof;
FIG. 4 is a left side elevational view thereof;
FIG. 5 is a top plan view thereof;
FIG. 6 is a bottom plan view thereof;
FIG. 7 is a perspective view showing a front, top and right side thereof;
FIG. 8 is a perspective view showing a rear, bottom and left side thereof;
FIG. 9 is a perspective view showing a front, right and bottom side thereof; and,
FIG. 10 is a perspective view showing a rear, left and top side thereof.
The broken line showing of the electrical connector is for the purpose of illustrating portions of the article and forms no part of the claimed design.

1 Claim, 5 Drawing Sheets



(56)

References Cited

U.S. PATENT DOCUMENTS

2018/0294596 A1* 10/2018 Zhang H01R 13/24
2019/0067853 A1* 2/2019 Ehrensvarð H01R 12/716

* cited by examiner

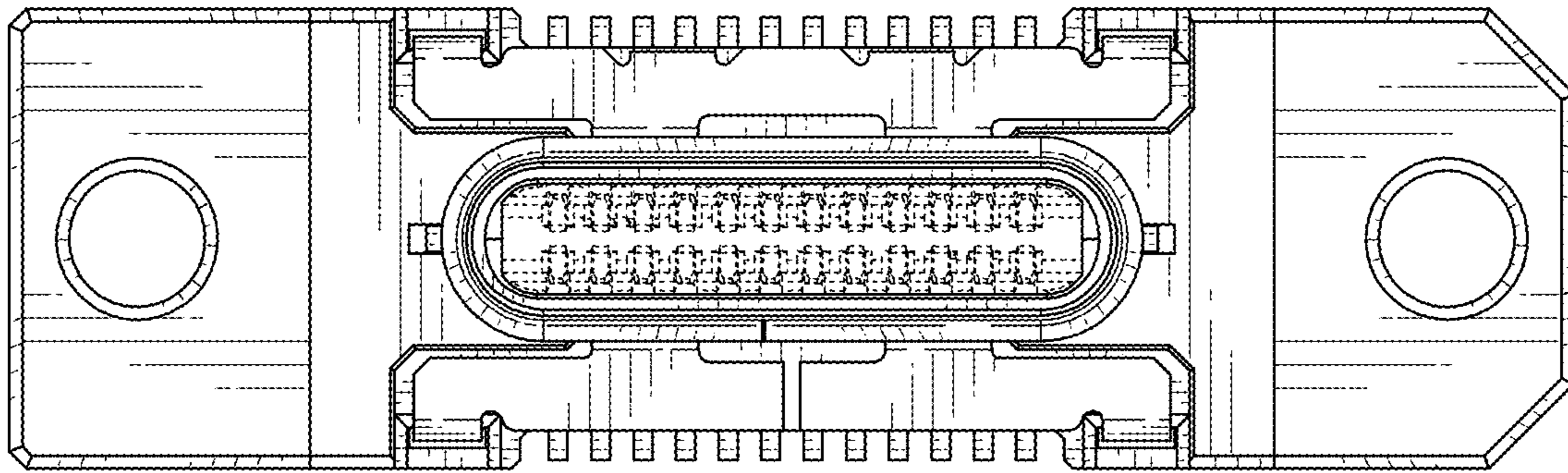


FIG. 1

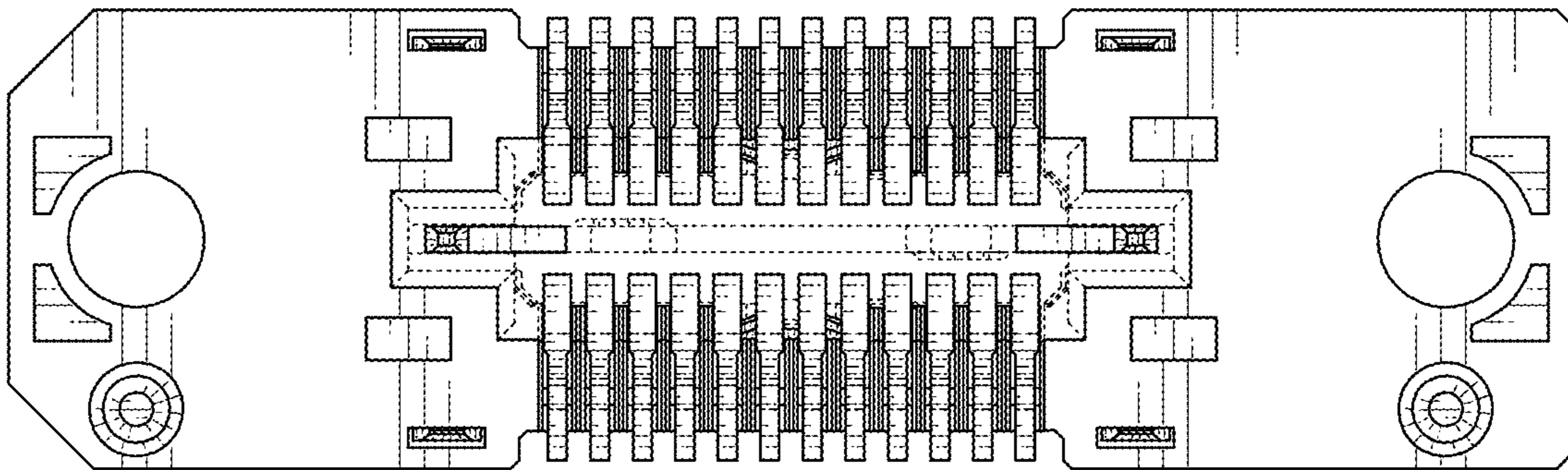


FIG. 2

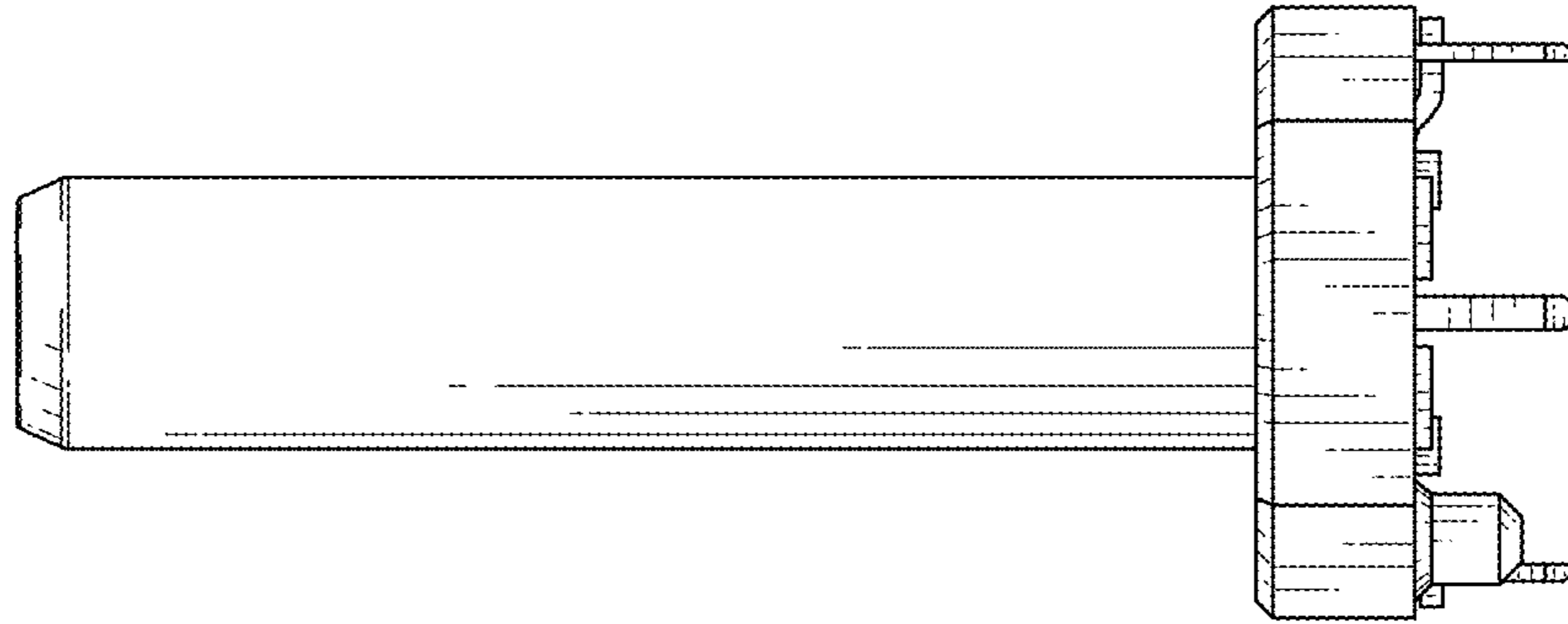


FIG. 3

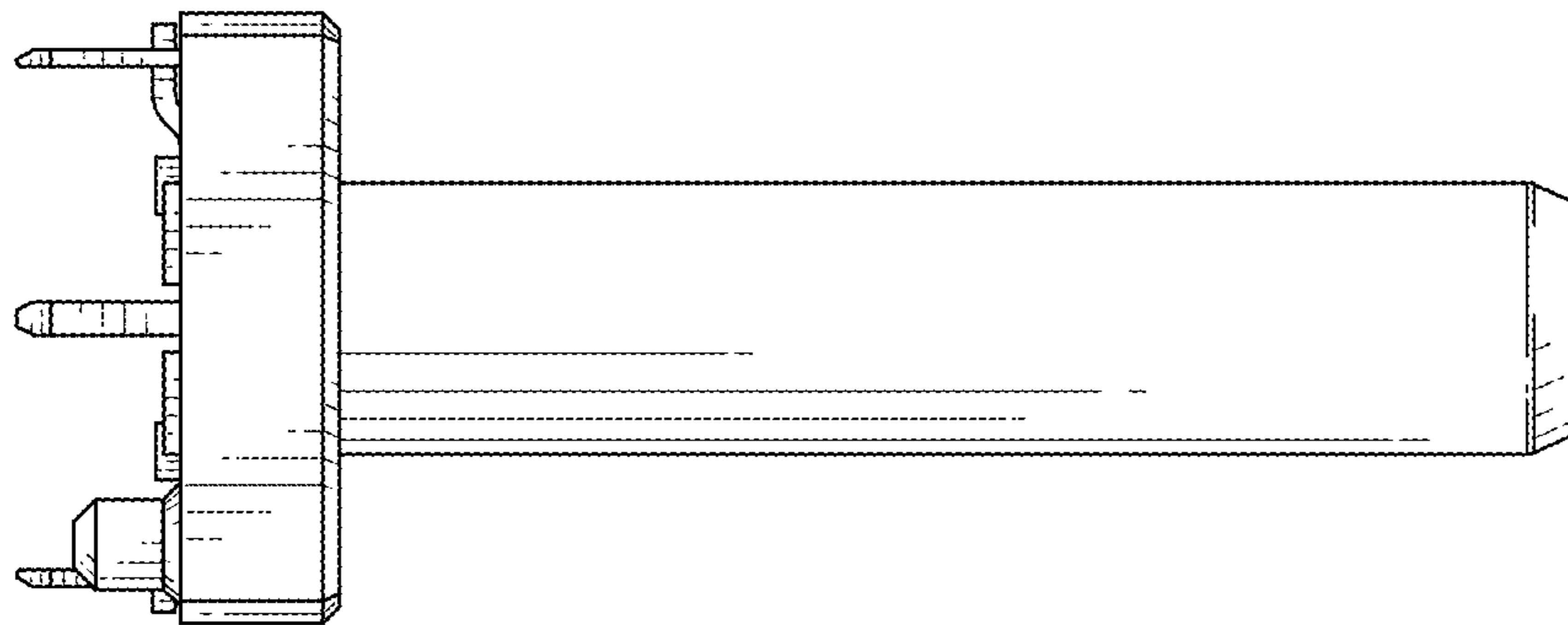


FIG. 4

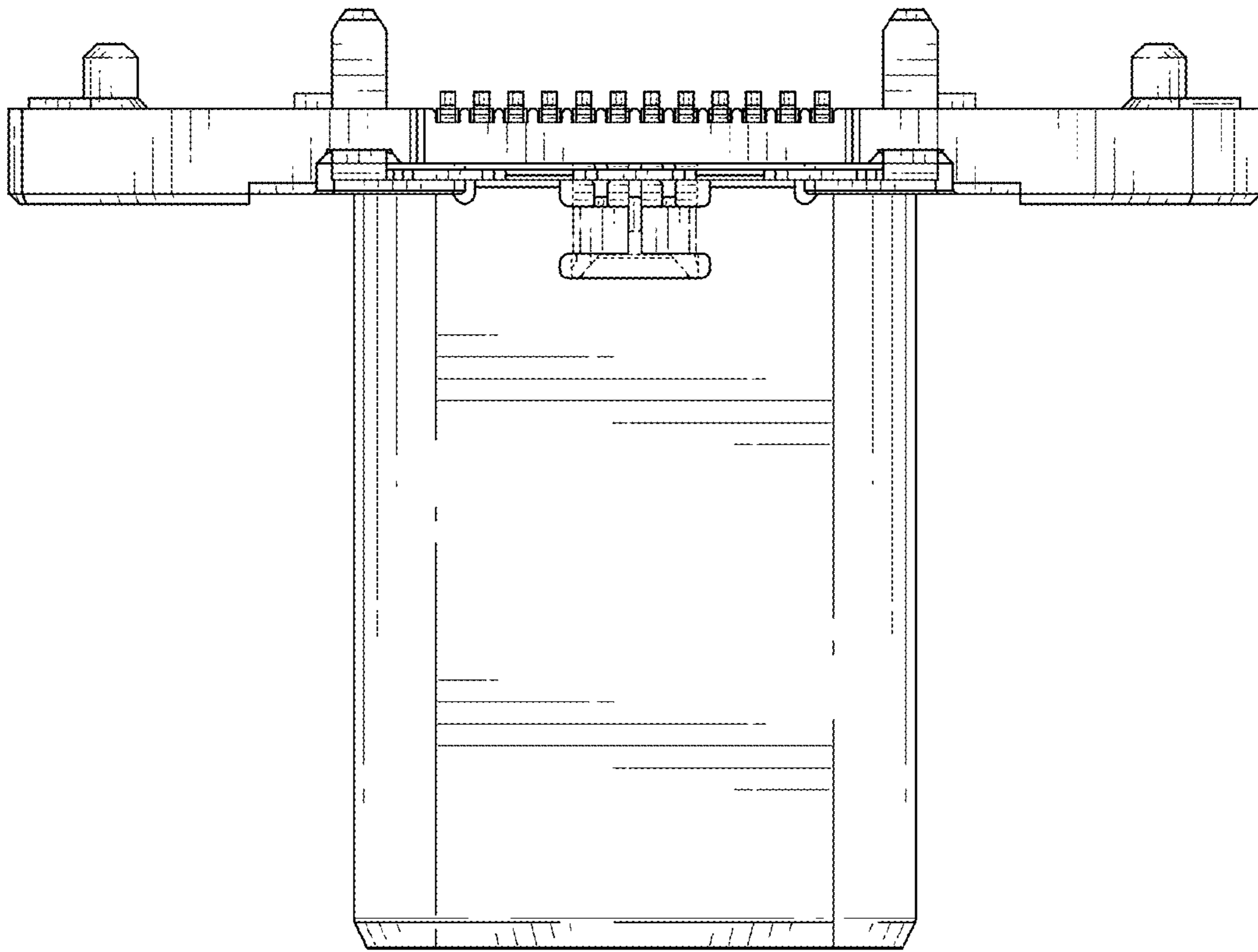


FIG. 5

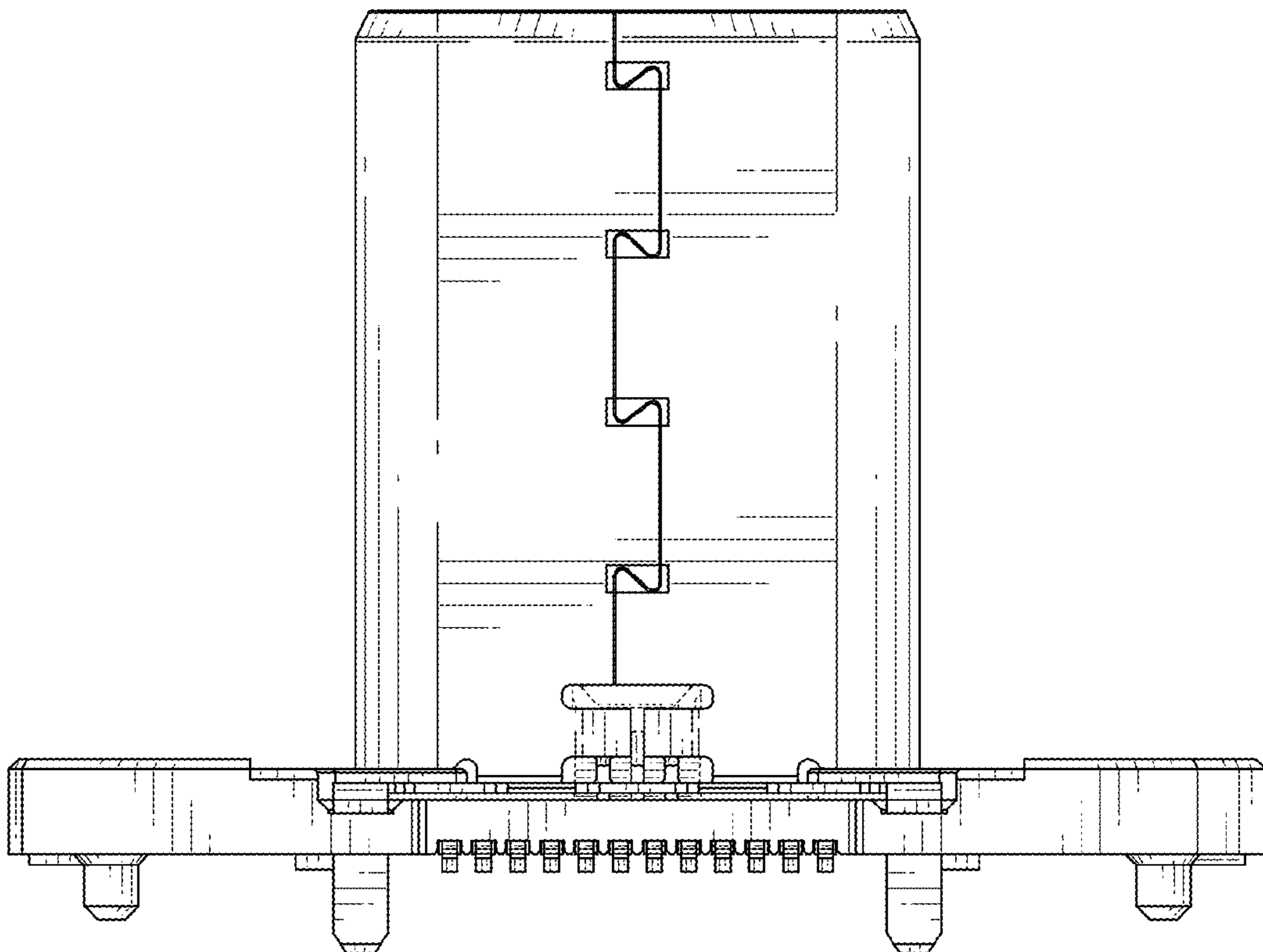


FIG. 6

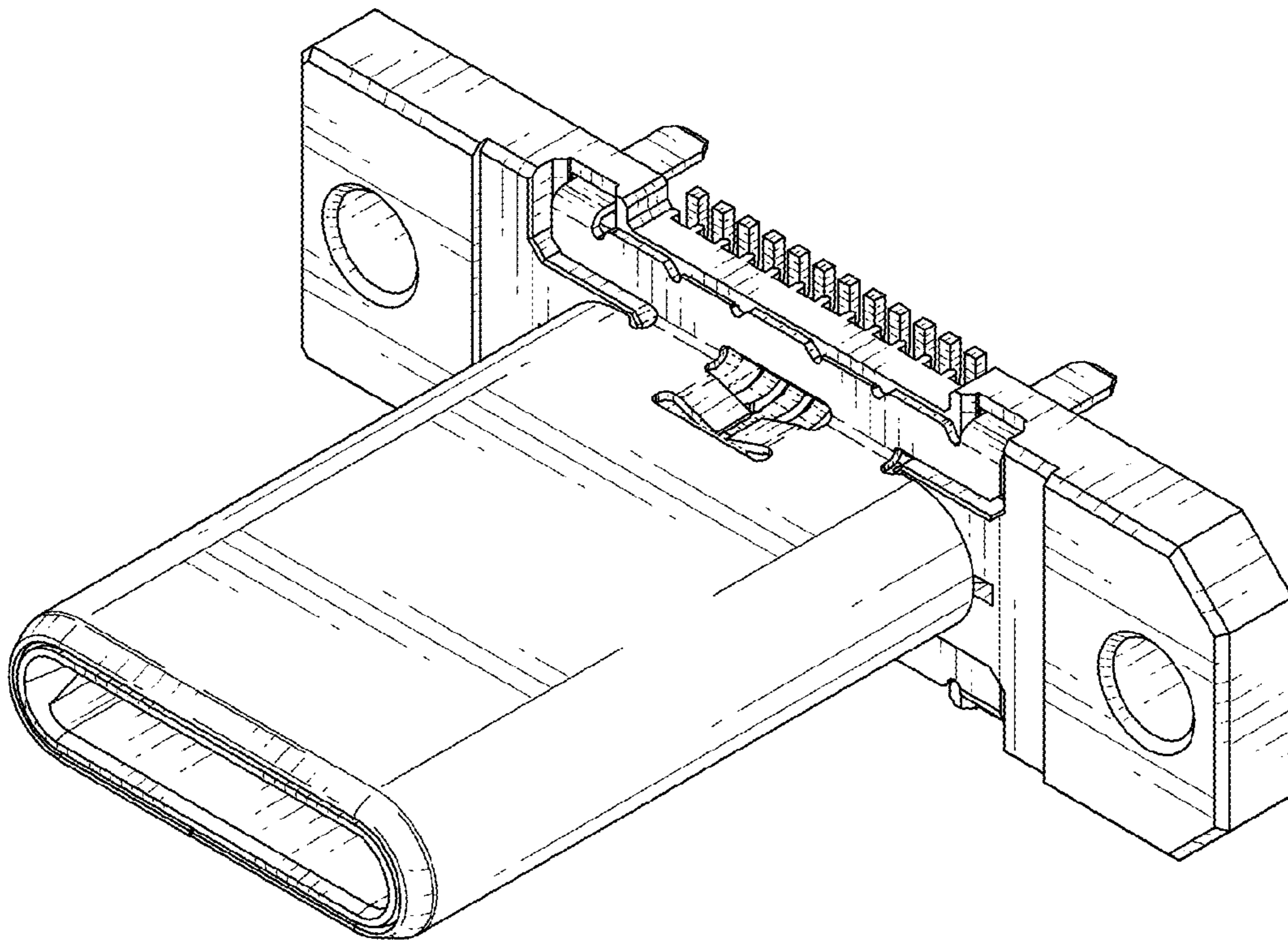


FIG. 7

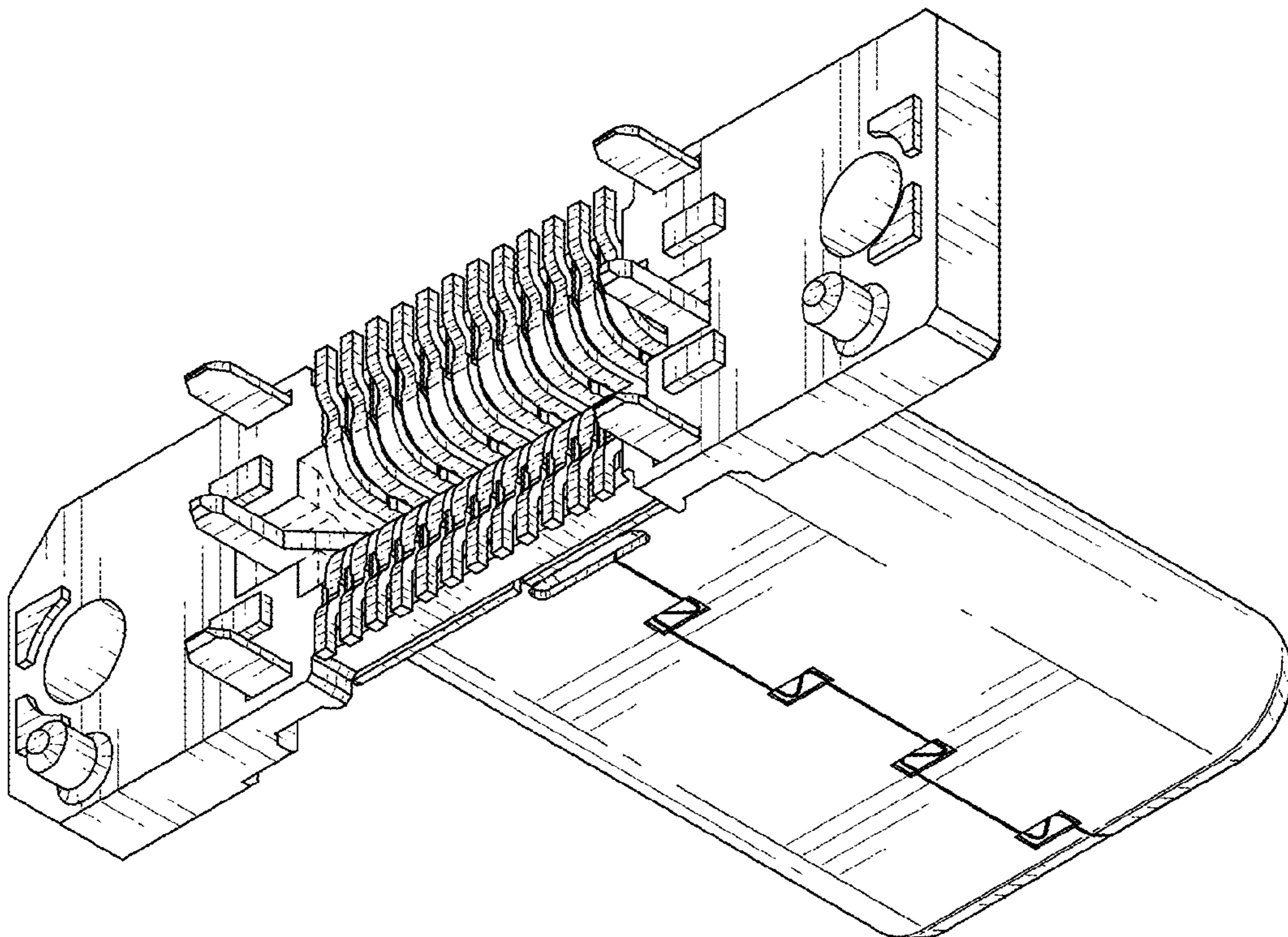


FIG. 8

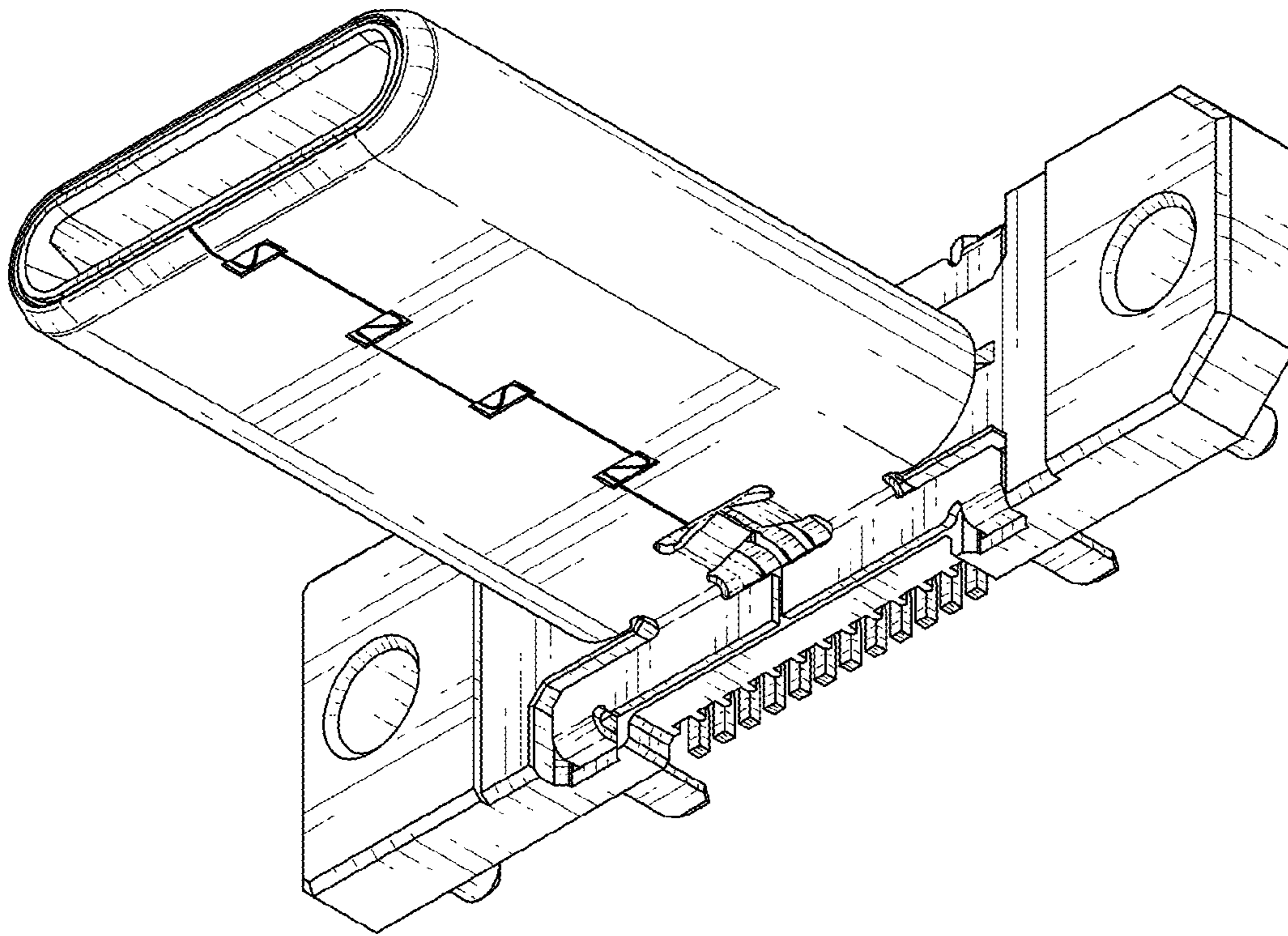


FIG. 9

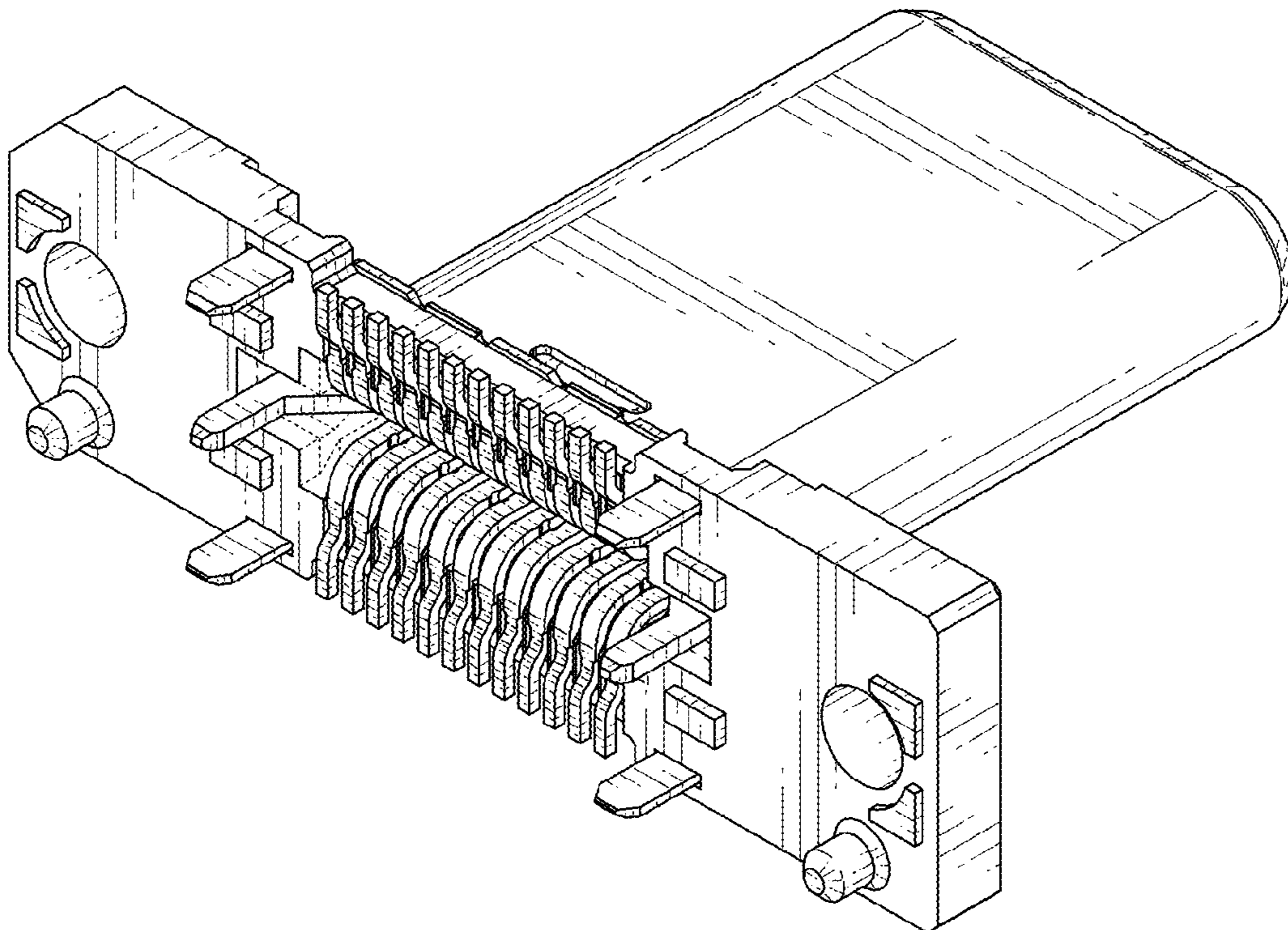


FIG. 10