

US00D876367S

(12) **United States Design Patent** (10) **Patent No.:** **US D876,367 S**
Wang (45) **Date of Patent:** **** Feb. 25, 2020**

(54) **CABLE BREAKOUT ENCLOSURE**

(71) Applicant: **CommScope Technologies LLC**,
Hickory, NC (US)

(72) Inventor: **Chi-Ming Wang**, Chicago, IL (US)

(73) Assignee: **CommScope Technologies LLC**,
Hickory, NC (US)

(**) Term: **15 Years**

(21) Appl. No.: **29/657,899**

(22) Filed: **Jul. 26, 2018**

Related U.S. Application Data

(62) Division of application No. 29/558,252, filed on Mar. 16, 2016, now Pat. No. Des. 825,471.

(51) **LOC (12) Cl.** **13-03**

(52) **U.S. Cl.**
USPC **D13/147**

(58) **Field of Classification Search**
USPC D13/133, 146, 147, 123, 154, 156,
D13/137.1-139.8, 155, 153
CPC H02G 3/18; H02G 3/088; H02G 9/02;
H02G 3/0493; G02B 6/4416; G02B
6/4471

See application file for complete search history.

(56) **References Cited**

U.S. PATENT DOCUMENTS

5,938,462 A	8/1999	Wilson et al.
D443,248 S	6/2001	Sakasegawa
D538,742 S	3/2007	Pickvet et al.
7,292,763 B2	11/2007	Smith et al.
RE40,358 E	6/2008	Thompson et al.
7,477,824 B2	1/2009	Reagan et al.
7,489,849 B2	2/2009	Reagan et al.
7,805,044 B2	9/2010	Reagan et al.
7,844,158 B2	11/2010	Gronvall et al.
8,275,228 B2	9/2012	Livingston et al.

8,532,490 B2	9/2013	Smith et al.
8,565,571 B2	10/2013	Kimbrell et al.
8,792,767 B2	7/2014	Fabrykowski et al.
8,929,740 B2	1/2015	Smith et al.
9,069,151 B2	6/2015	Conner
9,078,287 B2	7/2015	Khemakhem et al.

(Continued)

FOREIGN PATENT DOCUMENTS

CN	101095072	12/2007
CN	104041066	9/2014
WO	2014/158369	10/2014

OTHER PUBLICATIONS

Canford Catkit Ethernet Stage Patchbox, [online], [retrieved on Sep. 24, 2019]. Retrieved from Internet, <URL: https://www.canford.co.uk/Products/2009575/49-880_CANFORD-CATKIT-ETHERCON-STAGE-PATCHBOX-4-way-4x-Ethercon-to-4x-Ethercon>.*

(Continued)

Primary Examiner — Bridget L Eland
(74) *Attorney, Agent, or Firm* — Myers Bigel, P.A.

(57) **CLAIM**

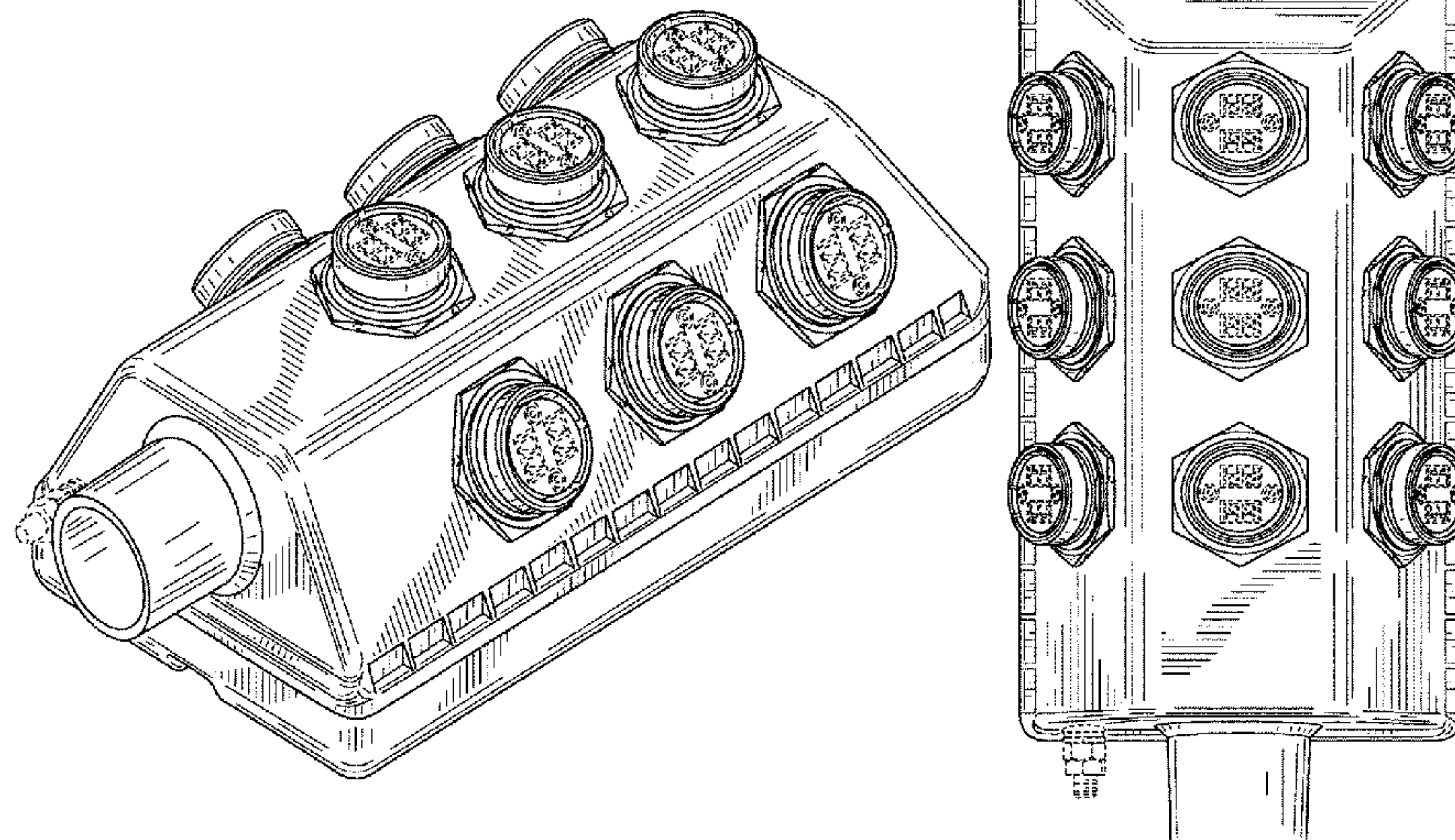
The ornamental design for a cable breakout enclosure, as shown and described.

DESCRIPTION

FIG. 1 is a perspective view of a cable breakout enclosure showing my new design;
FIG. 2 is a front view thereof;
FIG. 3 is a rear view thereof;
FIG. 4 is a side view thereof;
FIG. 5 is an opposite side view thereof;
FIG. 6 is a bottom view thereof; and,
FIG. 7 is a top view thereof.

The broken lines shown in the views are included for the purpose of illustrating portions of the cable breakout enclosure that form no part of the claimed design.

1 Claim, 6 Drawing Sheets



(56)

References Cited

U.S. PATENT DOCUMENTS

9,106,981 B2 8/2015 Vastmans et al.
 9,466,962 B1* 10/2016 Gretz H02G 3/20
 9,742,176 B2 8/2017 Wang
 D809,406 S 2/2018 Seo et al.
 D825,471 S* 8/2018 Wang D13/147
 10,263,406 B2 4/2019 Wang
 2005/0163448 A1 7/2005 Blackwell, Jr. et al.
 2005/0175307 A1 8/2005 Battey et al.
 2005/0213921 A1 9/2005 Smith et al.
 2006/0093303 A1 5/2006 Reagan et al.
 2006/0153516 A1 7/2006 Napiorkowski et al.
 2008/0191831 A1 8/2008 Matyas et al.
 2009/0134915 A1 5/2009 Hwang et al.
 2013/0084050 A1 4/2013 Vastmans et al.
 2014/0105539 A1* 4/2014 Conner G02B 6/4471
 385/24
 2014/0199079 A1 7/2014 Smith et al.

2015/0219856 A1* 8/2015 Wang G02B 6/4416
 385/53
 2016/0276817 A1* 9/2016 Wang H02G 3/088
 2017/0141563 A1* 5/2017 Islam G02B 6/4471

OTHER PUBLICATIONS

Extended European Search Report corresponding to European Application No. 16765637.0 dated Nov. 23, 2018.
 International Search Report and Written Opinion for corresponding PCT Application No. PCT/US2016/022600, dated Jun. 27, 2016.
 Notification Concerning Transmittal of International Preliminary Report on Patentability for corresponding PCT Application No. PCT/US2016/022600 dated Sep. 28, 2017.
 Office Action corresponding to Chinese Application No. 201680028436.9 dated May 23, 2019.
 Examination report corresponding to European Application No. 16765637.0 dated Sep. 25, 2019.

* cited by examiner

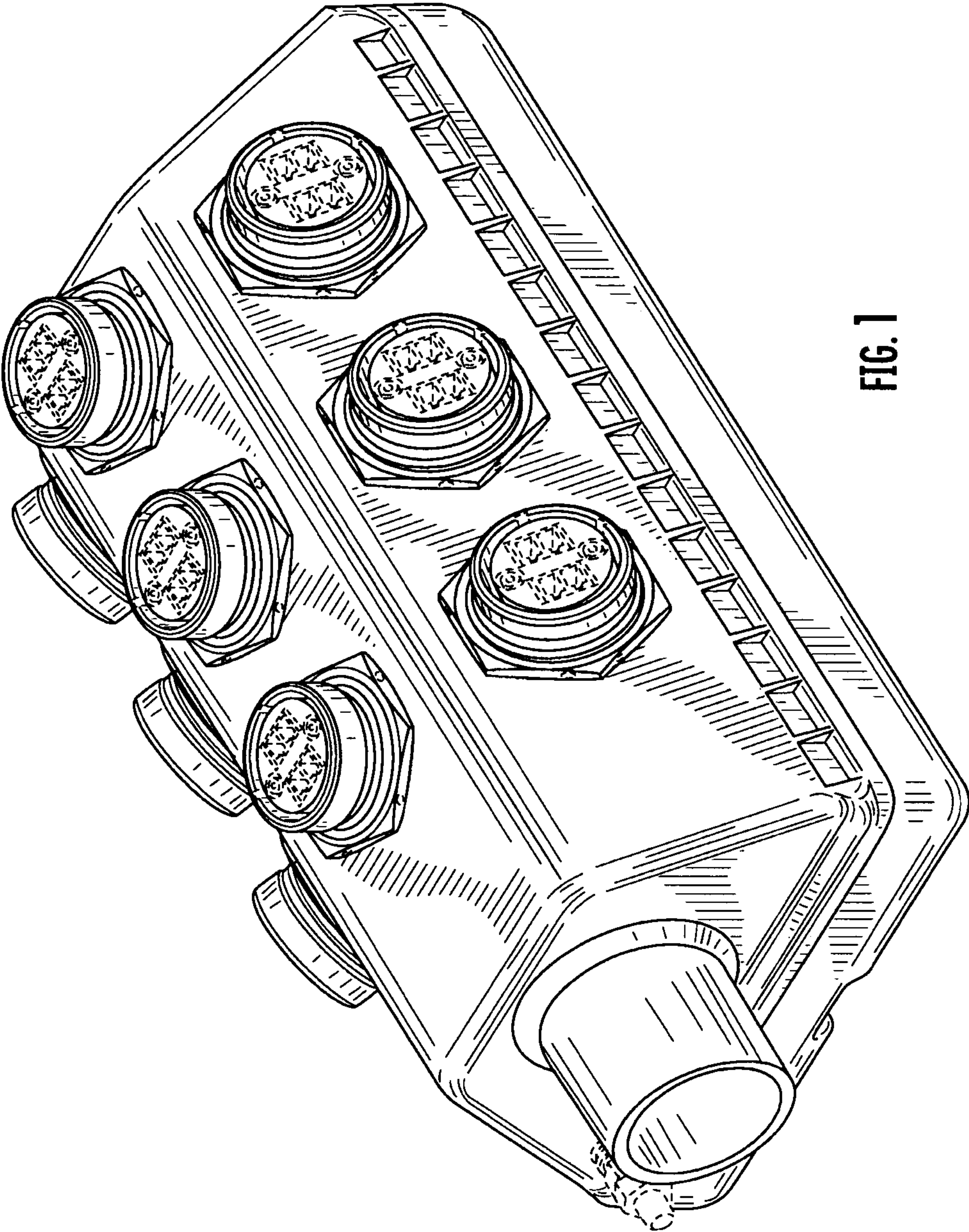


FIG. 1

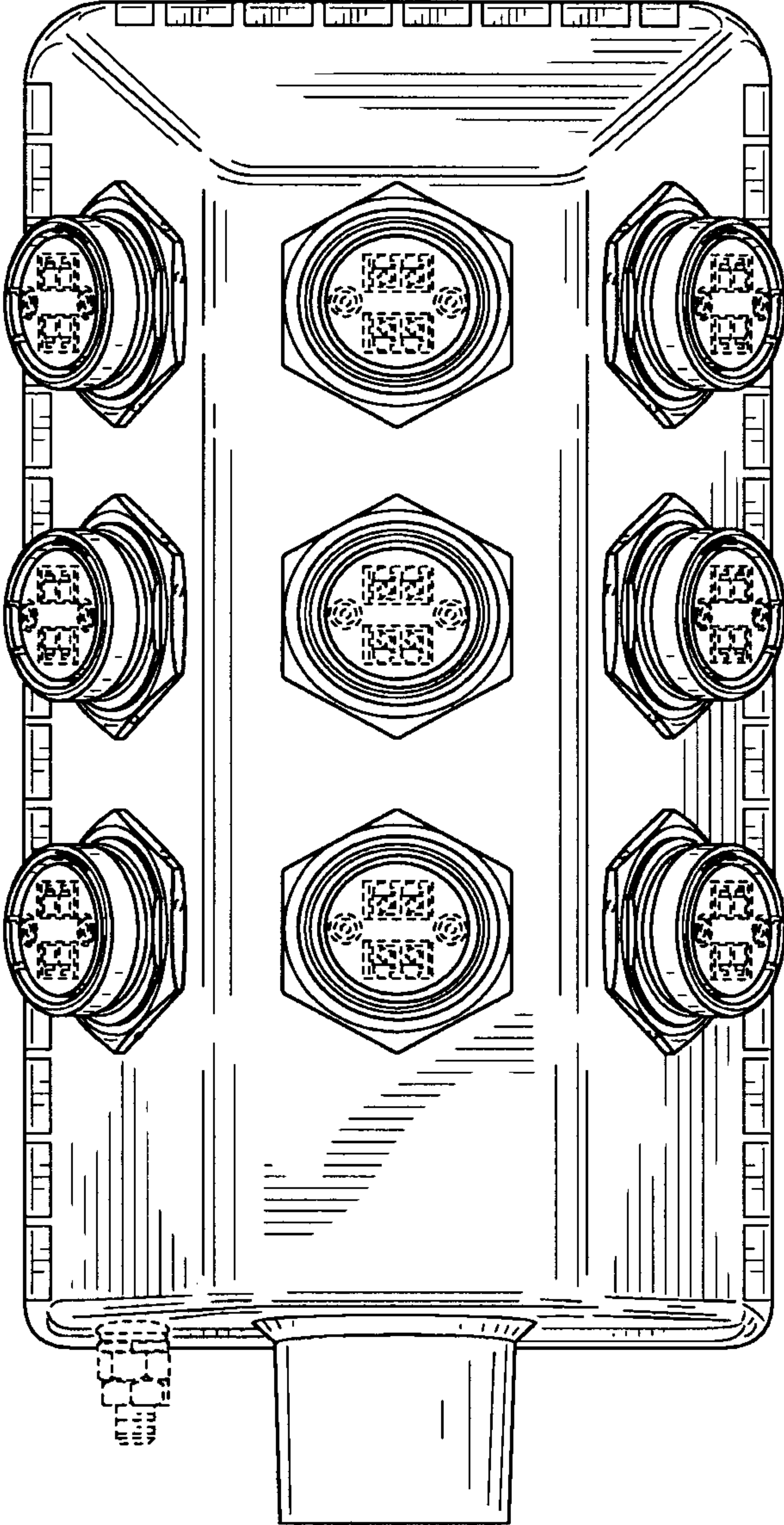


FIG. 2

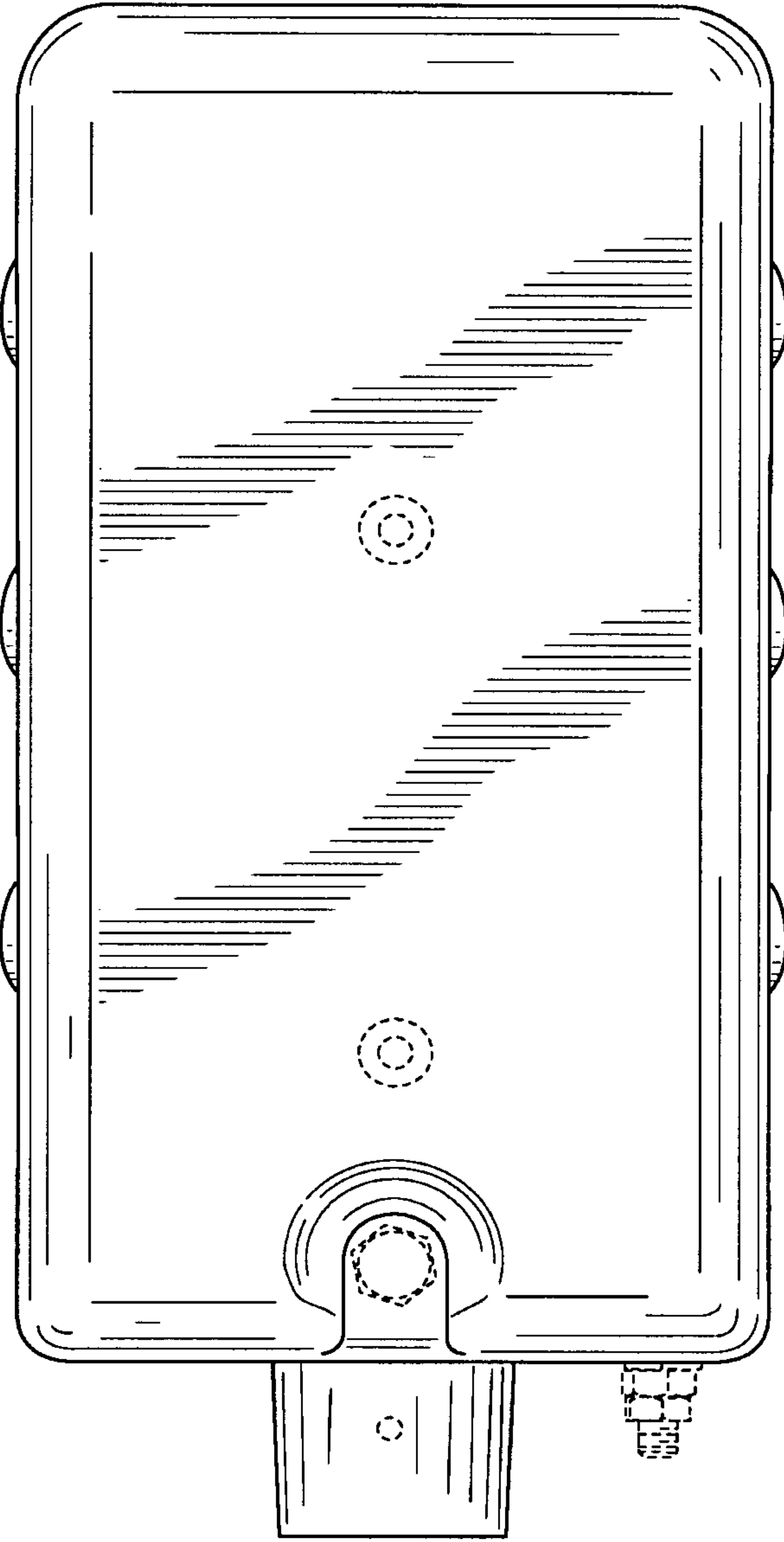


FIG. 3

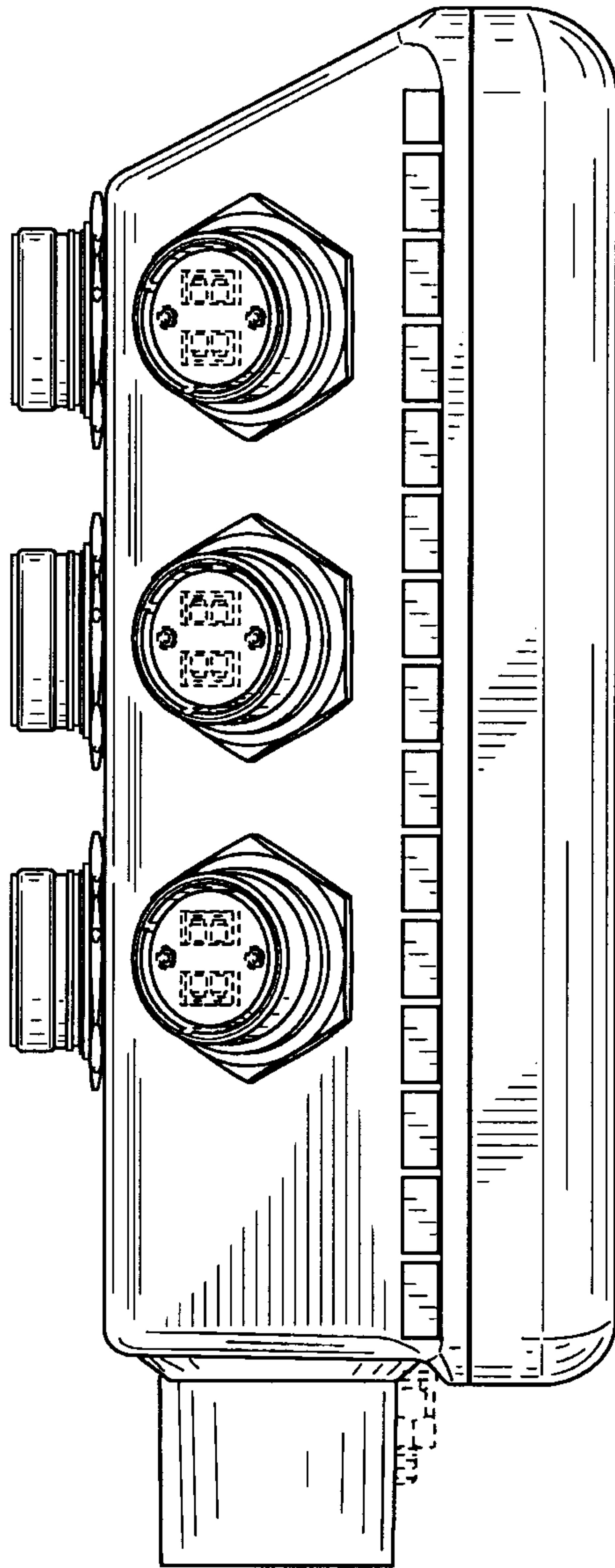


FIG. 4

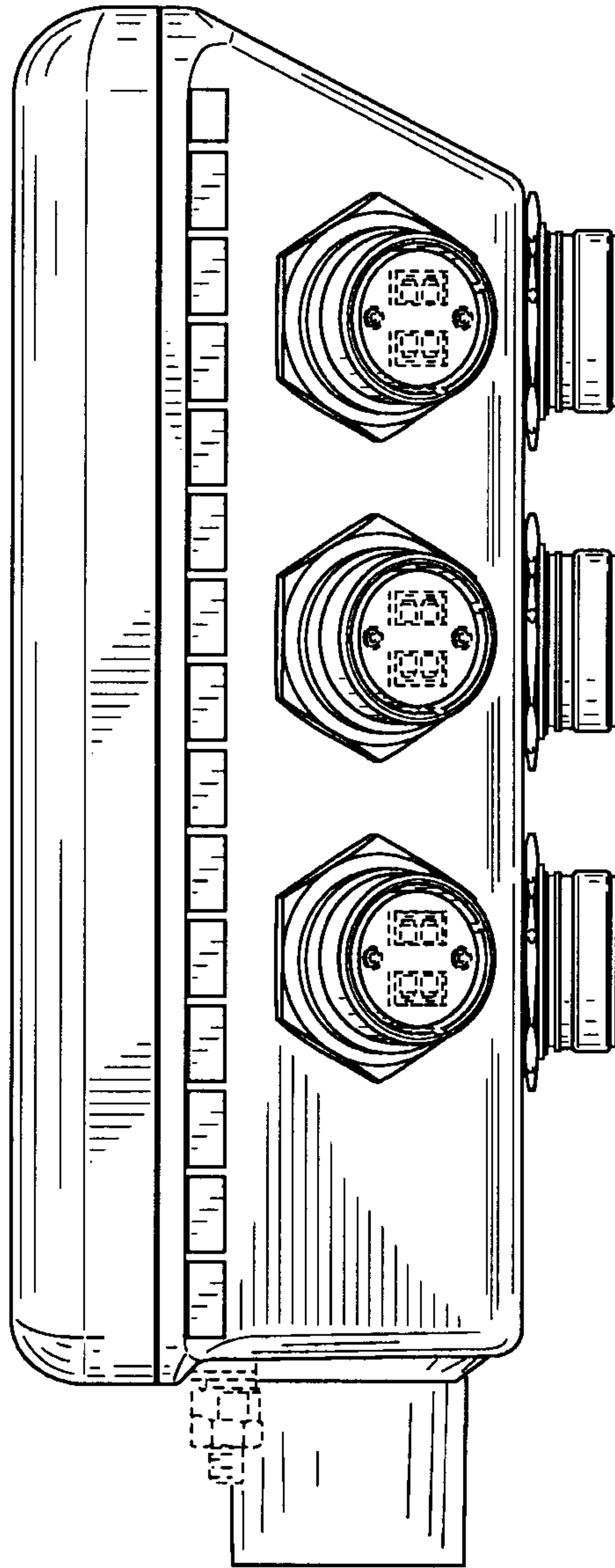


FIG. 5

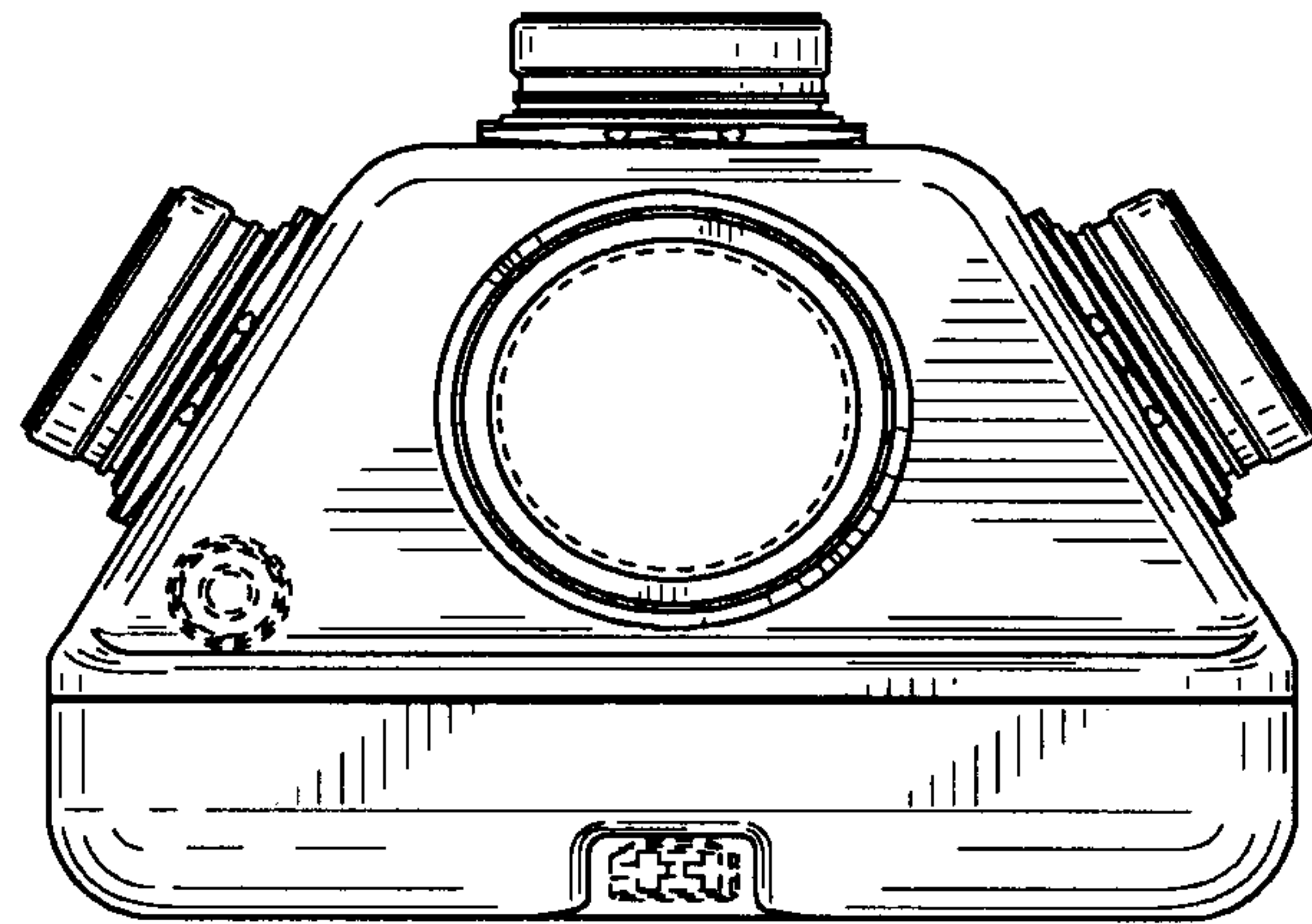


FIG. 6

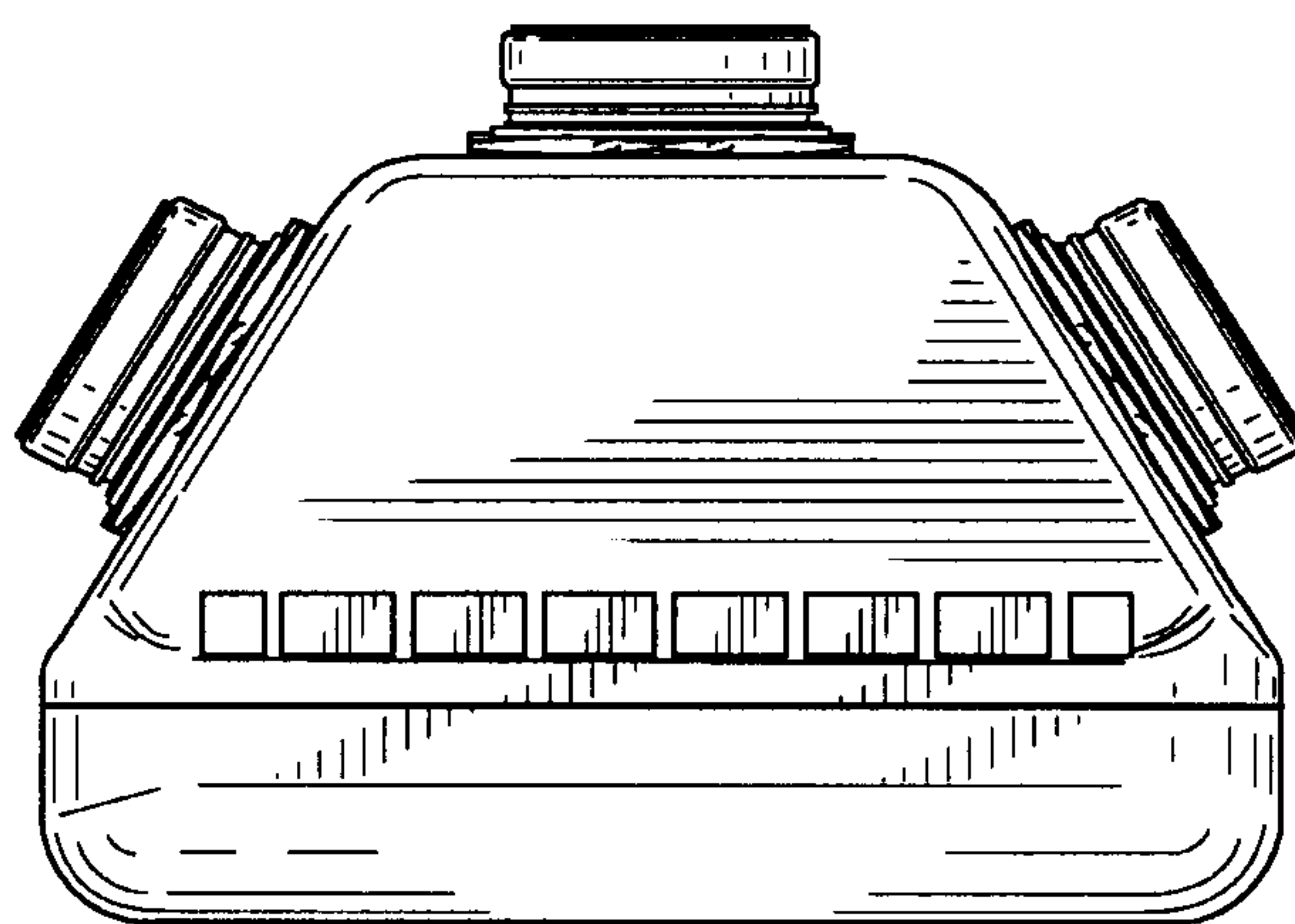


FIG. 7