



US00D876364S

(12) **United States Design Patent**  
**Wang et al.**

(10) **Patent No.:** **US D876,364 S**  
(45) **Date of Patent:** **\*\* Feb. 25, 2020**

(54) **CABLE BREAKOUT ENCLOSURE**

- (71) Applicant: **CommScope Technologies LLC**, Hickory, NC (US)
- (72) Inventors: **Chi Ming Wang**, Chicago, IL (US); **Gregory A. Just**, LaGrange Park, IL (US); **Peter Travis**, Denton, TX (US); **Sean Thomas**, McKinney, TX (US)
- (73) Assignee: **CommScope Technologies LLC**, Hickory, NC (US)
- (\*\*) Term: **15 Years**
- (21) Appl. No.: **29/632,777**
- (22) Filed: **Jan. 10, 2018**

**Related U.S. Application Data**

- (63) Continuation-in-part of application No. 29/558,252, filed on Mar. 16, 2016, now Pat. No. Des. 825,471.
- (51) **LOC (12) Cl.** ..... **13-03**
- (52) **U.S. Cl.**  
USPC ..... **D13/147**
- (58) **Field of Classification Search**  
USPC ..... D13/133, 146, 147, 123, 154, 156, D13/137.1-139.8, 155, 153  
CPC ..... H02G 3/18; H02G 3/088; H02G 9/02; H02G 3/0493; G02B 6/4416; G02B 6/4471  
See application file for complete search history.

(56) **References Cited**

**U.S. PATENT DOCUMENTS**

5,938,462 A	8/1999	Wilson et al.
D443,248 S	6/2001	Sakasegawa

(Continued)

**FOREIGN PATENT DOCUMENTS**

CN	101095072	12/2007
CN	104041066	9/2014
WO	2014/158369	10/2014

**OTHER PUBLICATIONS**

Canford Catkit Ethercon Stage Patchbox, [online], [retrieved on Sep. 24, 2019]. Retrieved from Internet ,<URL: https://www.canford.co.uk/Products/2009575/49-880\_CANFORD-CATKIT-ETHERCON-STAGE-PATCHBOX-4-way-4x-Ethercon-to-4x-Ethercon>.\*

(Continued)

*Primary Examiner* — Bridget L Eland

(74) *Attorney, Agent, or Firm* — Myers Bigel, P.A.

(57) **CLAIM**

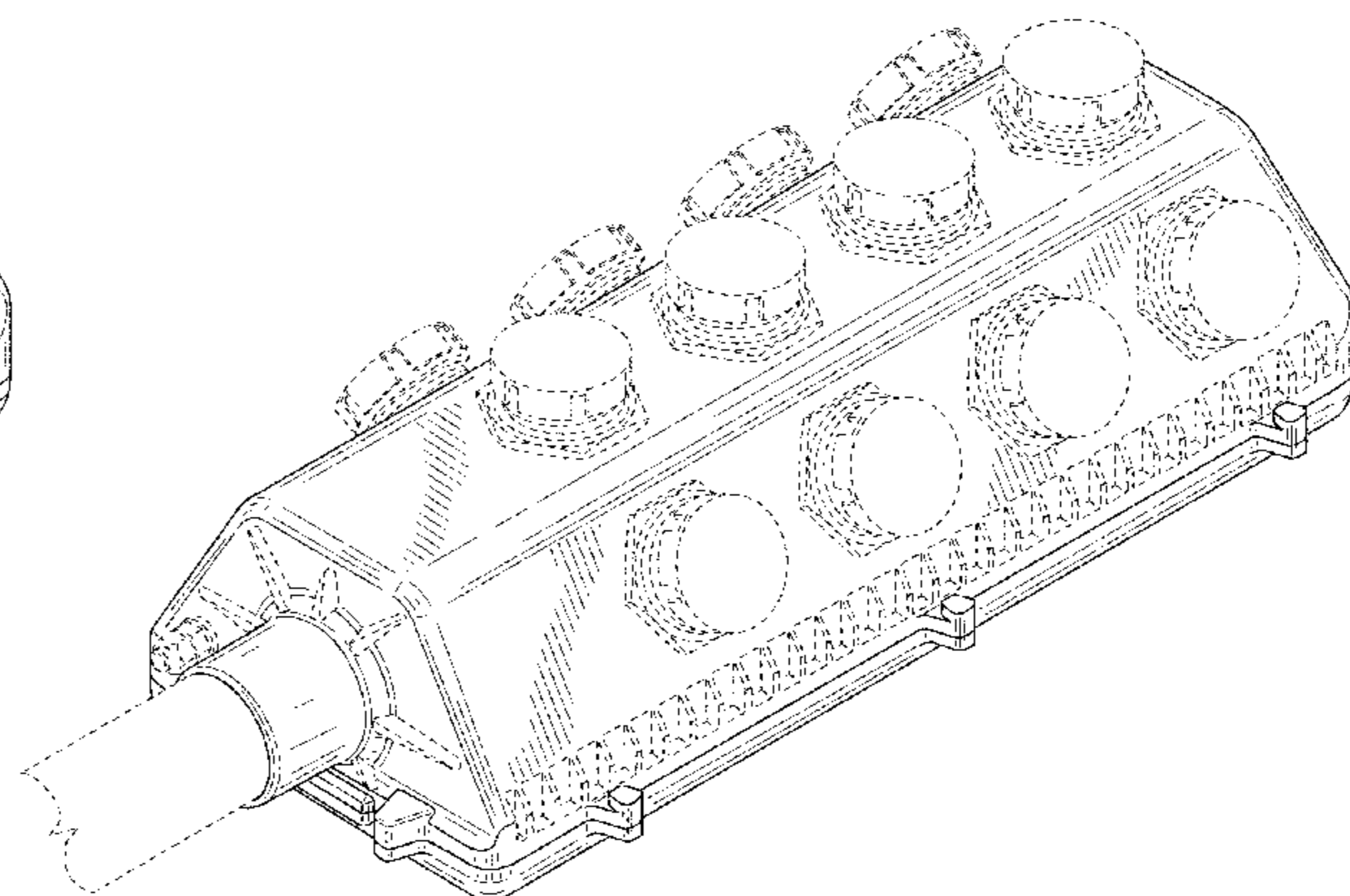
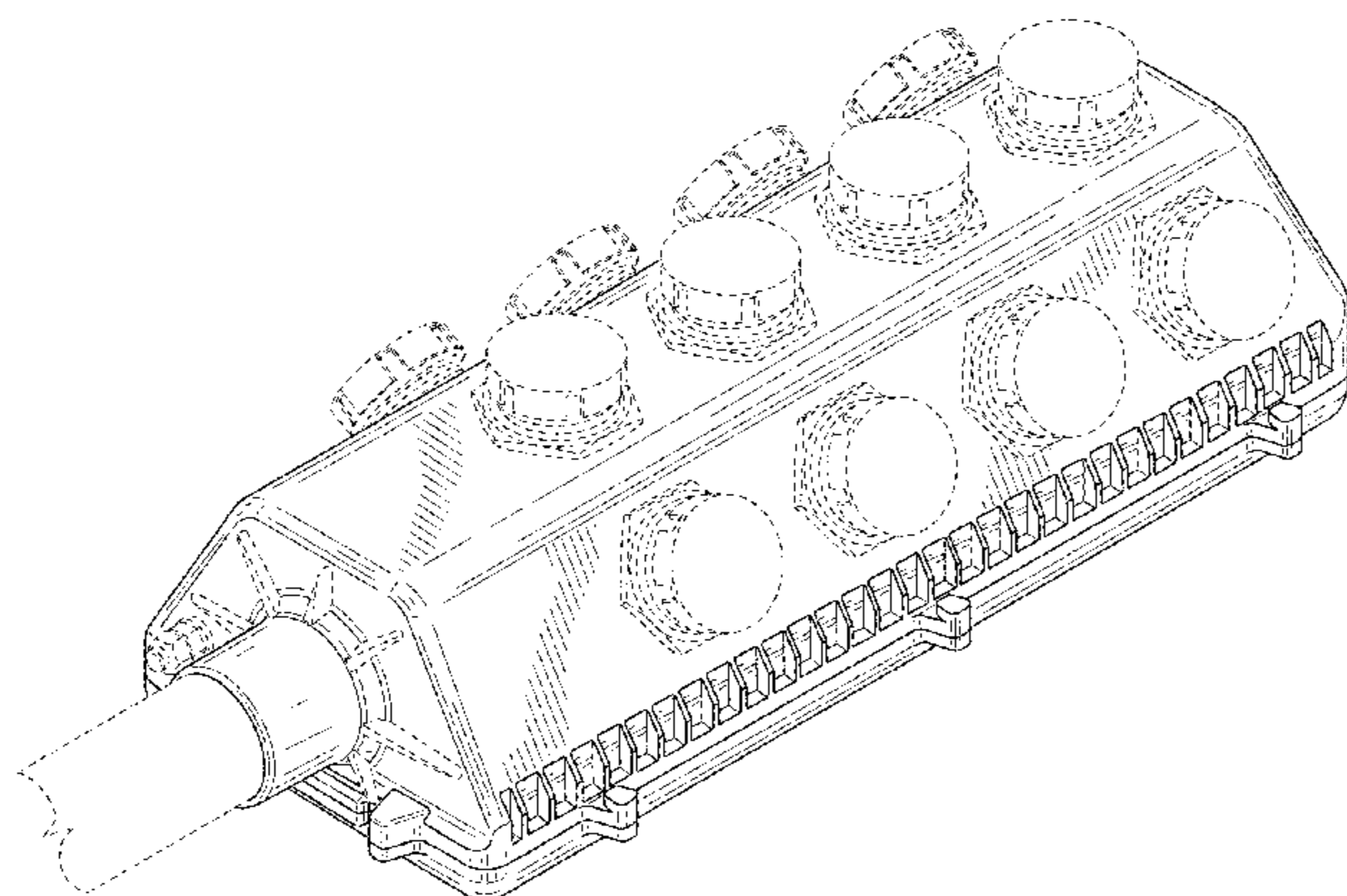
The ornamental design for a cable breakout enclosure, as shown and described.

**DESCRIPTION**

FIG. 1 is a perspective view of a first embodiment of a cable breakout enclosure showing my new design;  
 FIG. 2 is a front view thereof;  
 FIG. 3 is a rear view thereof;  
 FIG. 4 is a side view thereof;  
 FIG. 5 is an opposite side view thereof;  
 FIG. 6 is a bottom view thereof;  
 FIG. 7 is a top view thereof;  
 FIG. 8 is a perspective view of a second embodiment of a cable breakout enclosure showing my new design;  
 FIG. 9 is a front view thereof;  
 FIG. 10 is a rear view thereof;  
 FIG. 11 is a side view thereof;  
 FIG. 12 is an opposite side view thereof;  
 FIG. 13 is a bottom view thereof; and,  
 FIG. 14 is a top view thereof.

The outermost broken lines immediately adjacent to the full line showing of the claimed design represent the bounds of the claimed design while all other broken lines are directed to environment and are for illustrative purposes only; the broken lines form no part of the claimed design.

**1 Claim, 12 Drawing Sheets**



(56)

**References Cited**

U.S. PATENT DOCUMENTS

D538,742 S 3/2007 Pickvet et al.  
 7,292,763 B2 11/2007 Smith  
 RE40,358 E 6/2008 Thompson et al.  
 7,477,824 B2 1/2009 Reagan et al.  
 7,489,849 B2 2/2009 Reagan et al.  
 7,805,044 B2 9/2010 Reagan et al.  
 7,844,158 B2 11/2010 Gronvall et al.  
 8,275,228 B2 9/2012 Livingston et al.  
 8,532,490 B2 9/2013 Smith et al.  
 8,565,571 B2 10/2013 Kimbrell et al.  
 8,792,767 B2 7/2014 Fabrykowski et al.  
 8,929,740 B2 1/2015 Smith  
 9,078,287 B2 7/2015 Khemakhem et al.  
 9,069,151 B2 8/2015 Conner  
 9,106,981 B2 8/2015 Vastmans et al.  
 9,466,962 B1 \* 10/2016 Gretz ..... H02G 3/20  
 9,742,176 B2 \* 8/2017 Wang ..... H02G 3/088  
 D809,406 S 2/2018 Seo et al.  
 D825,471 S \* 8/2018 Wang ..... D13/147  
 10,263,406 B2 4/2019 Wang  
 2005/0163448 A1 7/2005 Blackwell, Jr. et al.  
 2005/0175307 A1 8/2005 Battey et al.  
 2005/0213921 A1 9/2005 Smith et al.  
 2006/0093303 A1 5/2006 Reagan et al.

2006/0153516 A1 7/2006 Napiorkowski et al.  
 2008/0191831 A1 8/2008 Matyas et al.  
 2009/0134915 A1 5/2009 Hwang et al.  
 2013/0084050 A1 4/2013 Vastmans et al.  
 2014/0105539 A1 \* 4/2014 Conner ..... G02B 6/4471  
 385/24  
 2014/0199079 A1 7/2014 Smith et al.  
 2015/0219856 A1 \* 8/2015 Wang ..... G02B 6/4416  
 385/53  
 2016/0276817 A1 \* 9/2016 Wang ..... H02G 3/088  
 2017/0141563 A1 \* 5/2017 Islam ..... G02B 6/4471

OTHER PUBLICATIONS

Extended European Search Report corresponding to European Application No. 16765637.0 dated Nov. 23, 2018.  
 International Search Report and Written Opinion for corresponding PCT Application No. PCT/US2016/022600, dated Jun. 27, 2016.  
 Notification Concerning Transmittal of International Preliminary Report on Patentability for corresponding PCT Application No. PCT/US2016/022600 dated Sep. 28, 2017.  
 Office Action corresponding to Chinese Application No. 20160028436.9 dated May 23, 2019.  
 Examination Report corresponding to European Application No. 16765637.0 dated Sep. 25, 2019.

\* cited by examiner

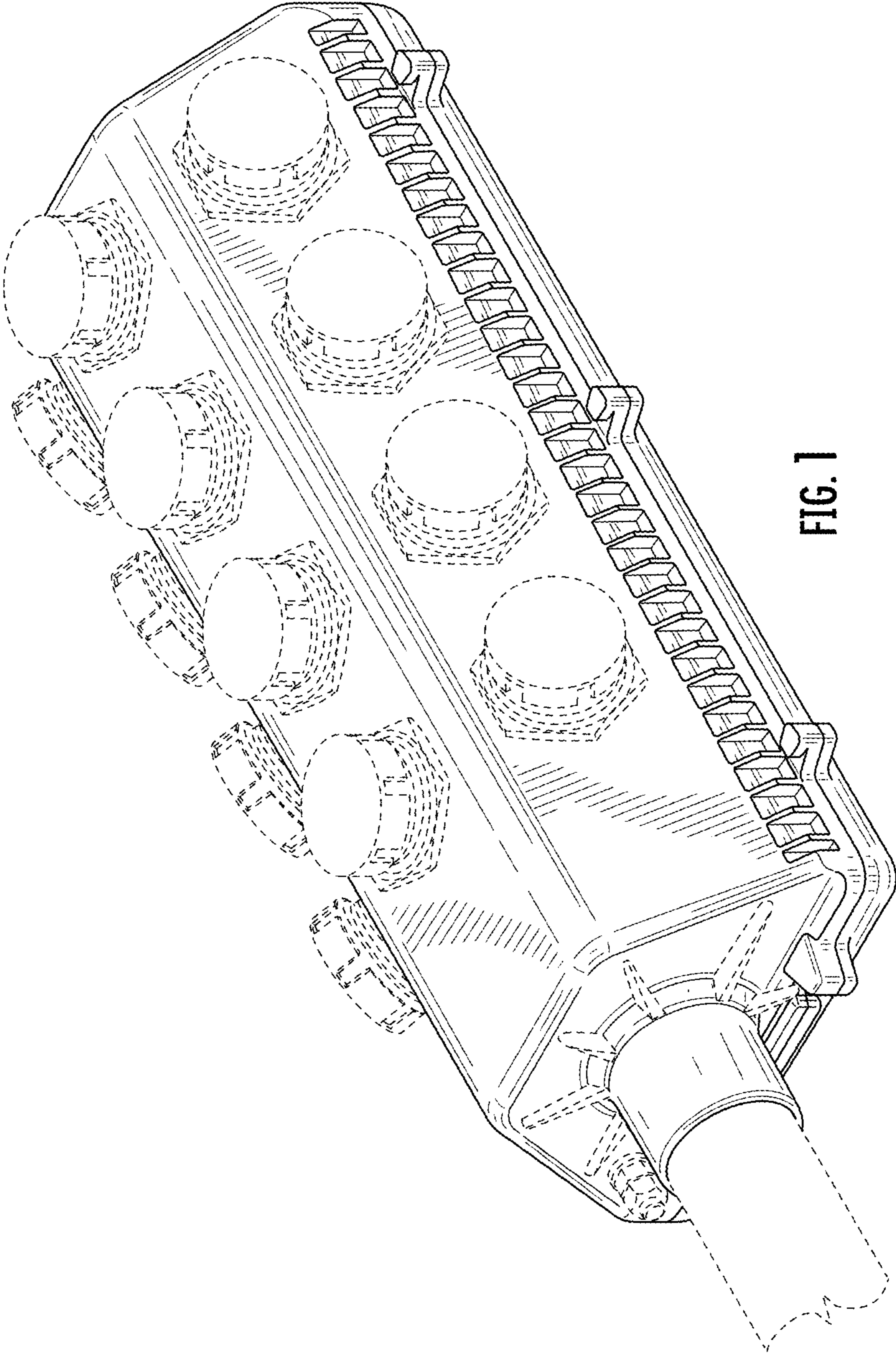


FIG. 1

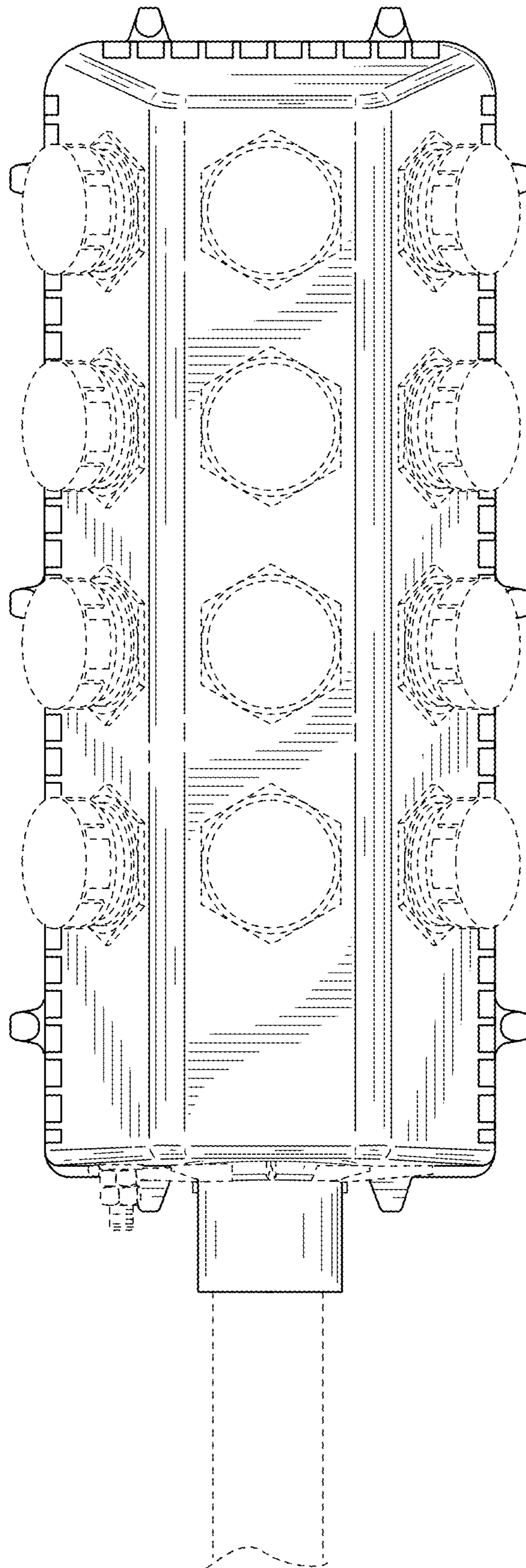


FIG. 2

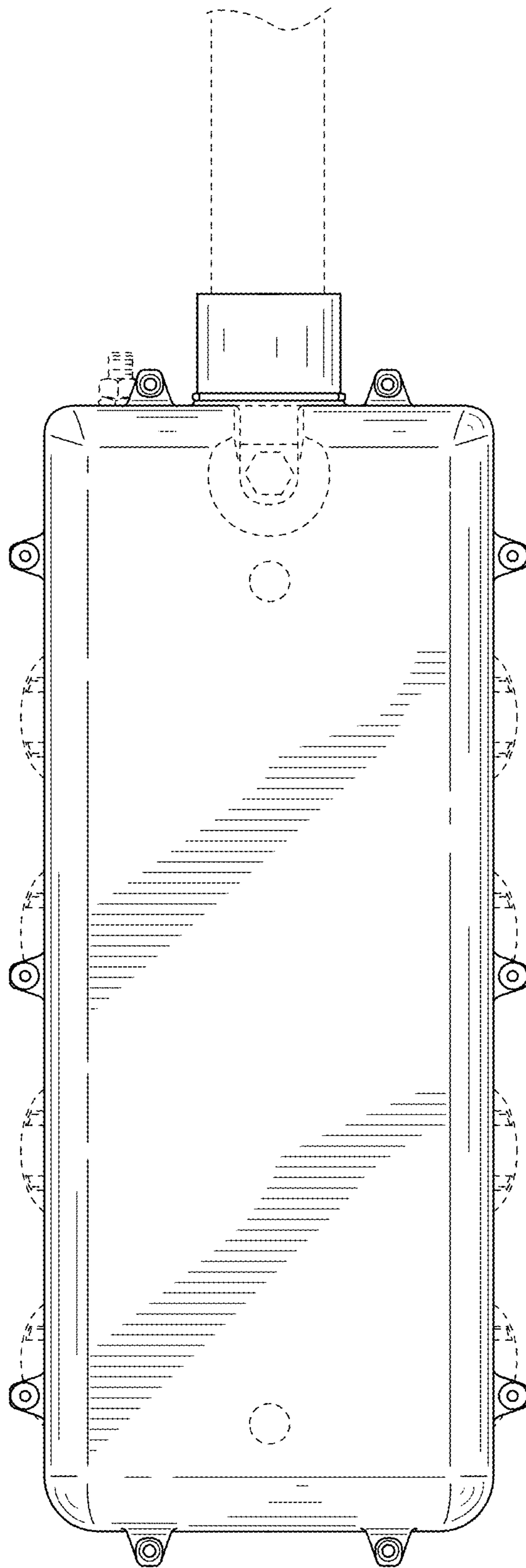


FIG. 3

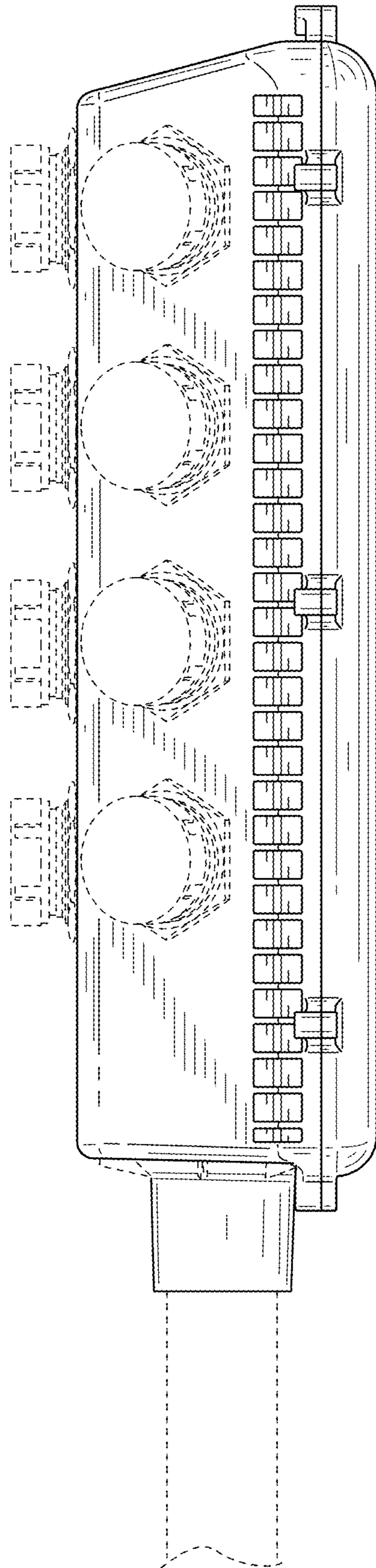


FIG. 4

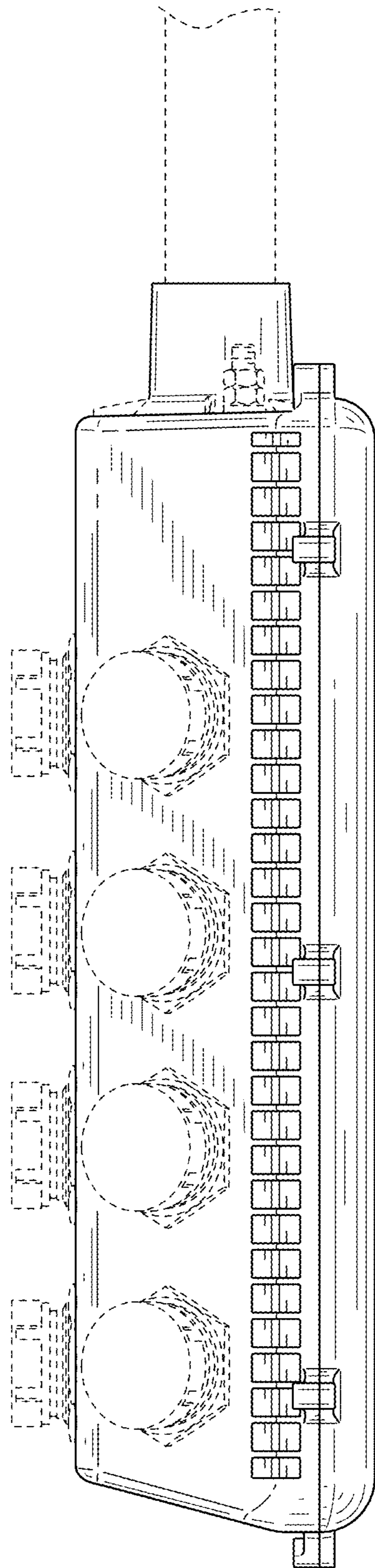


FIG. 5

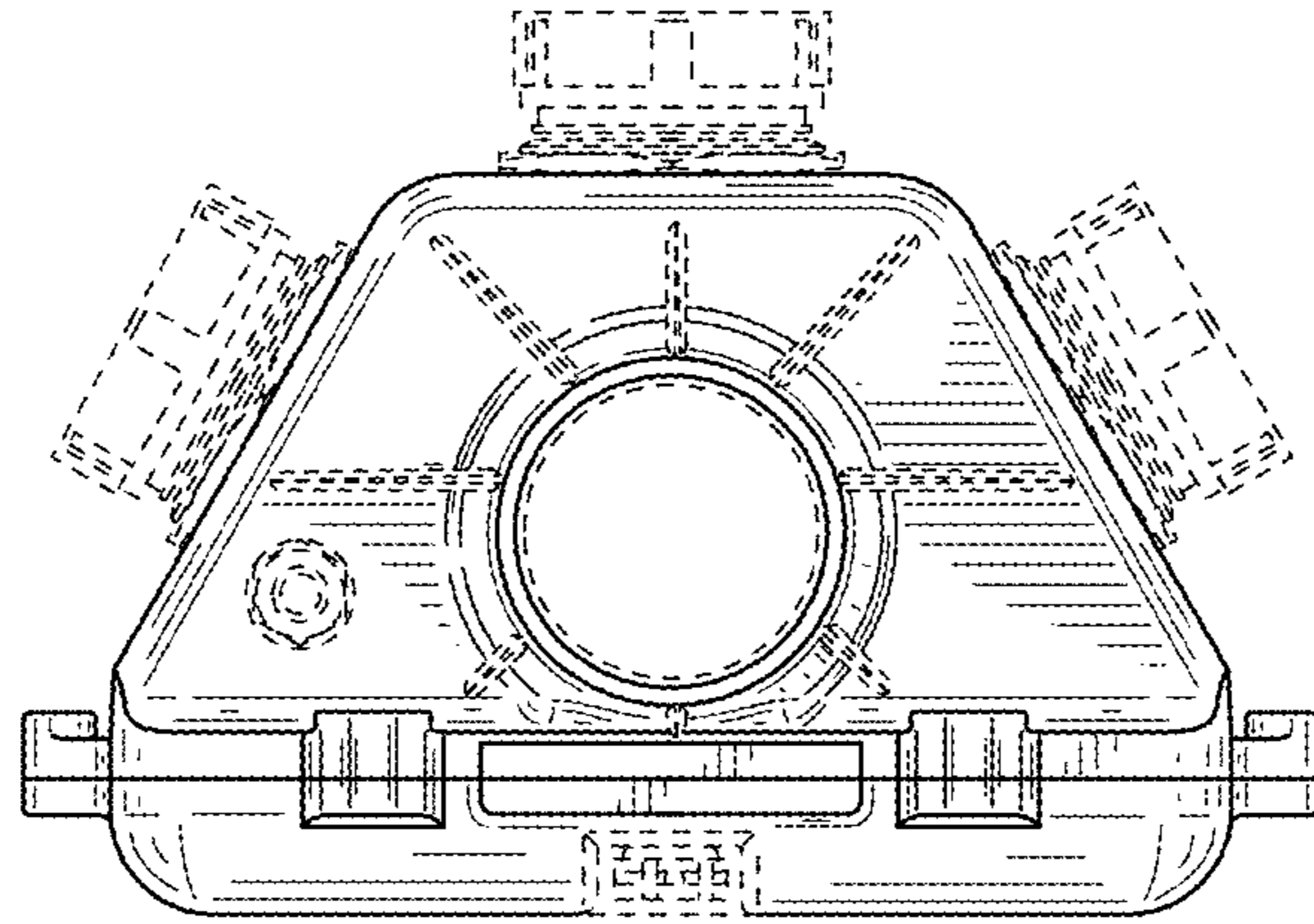


FIG. 6

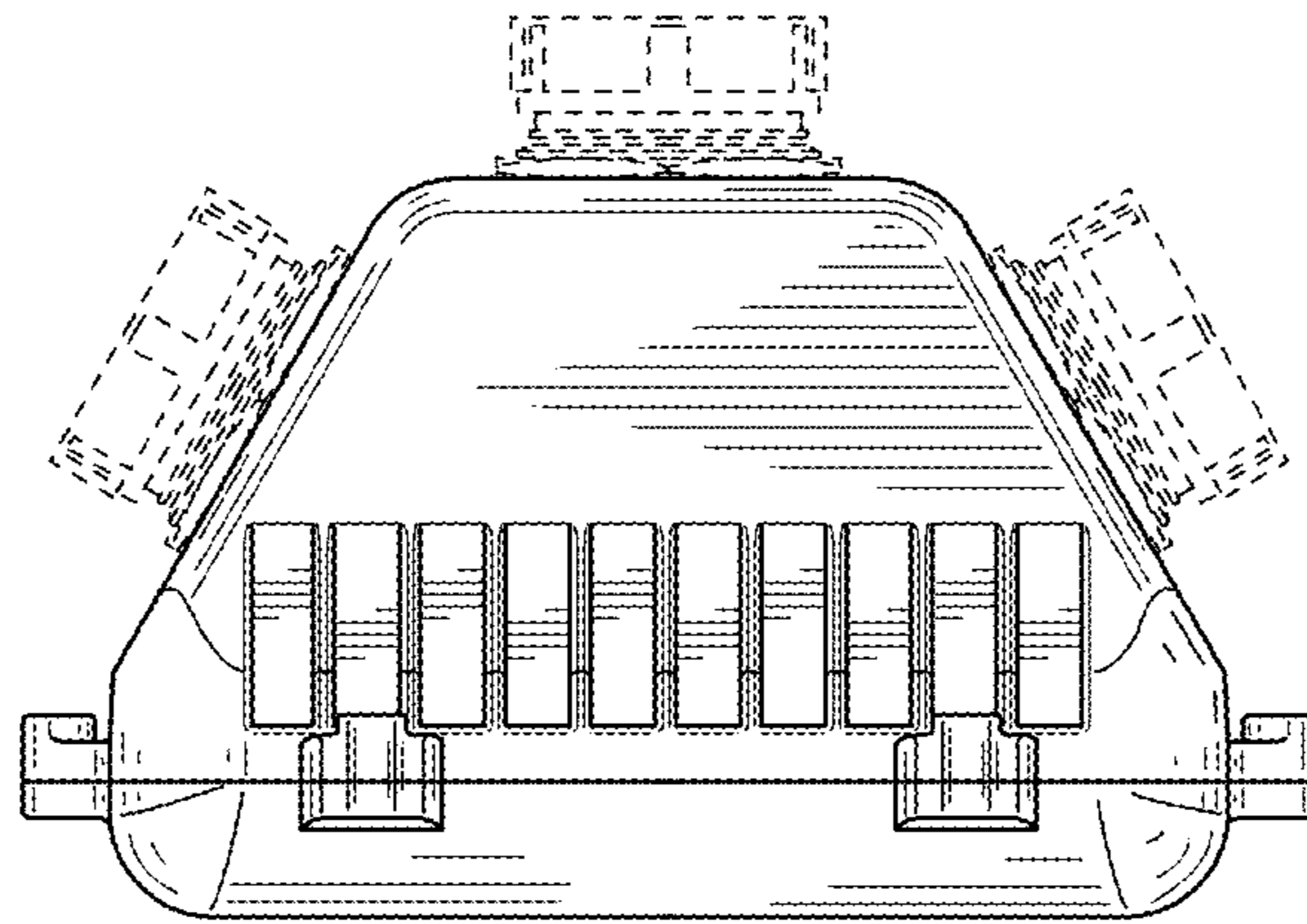


FIG. 7



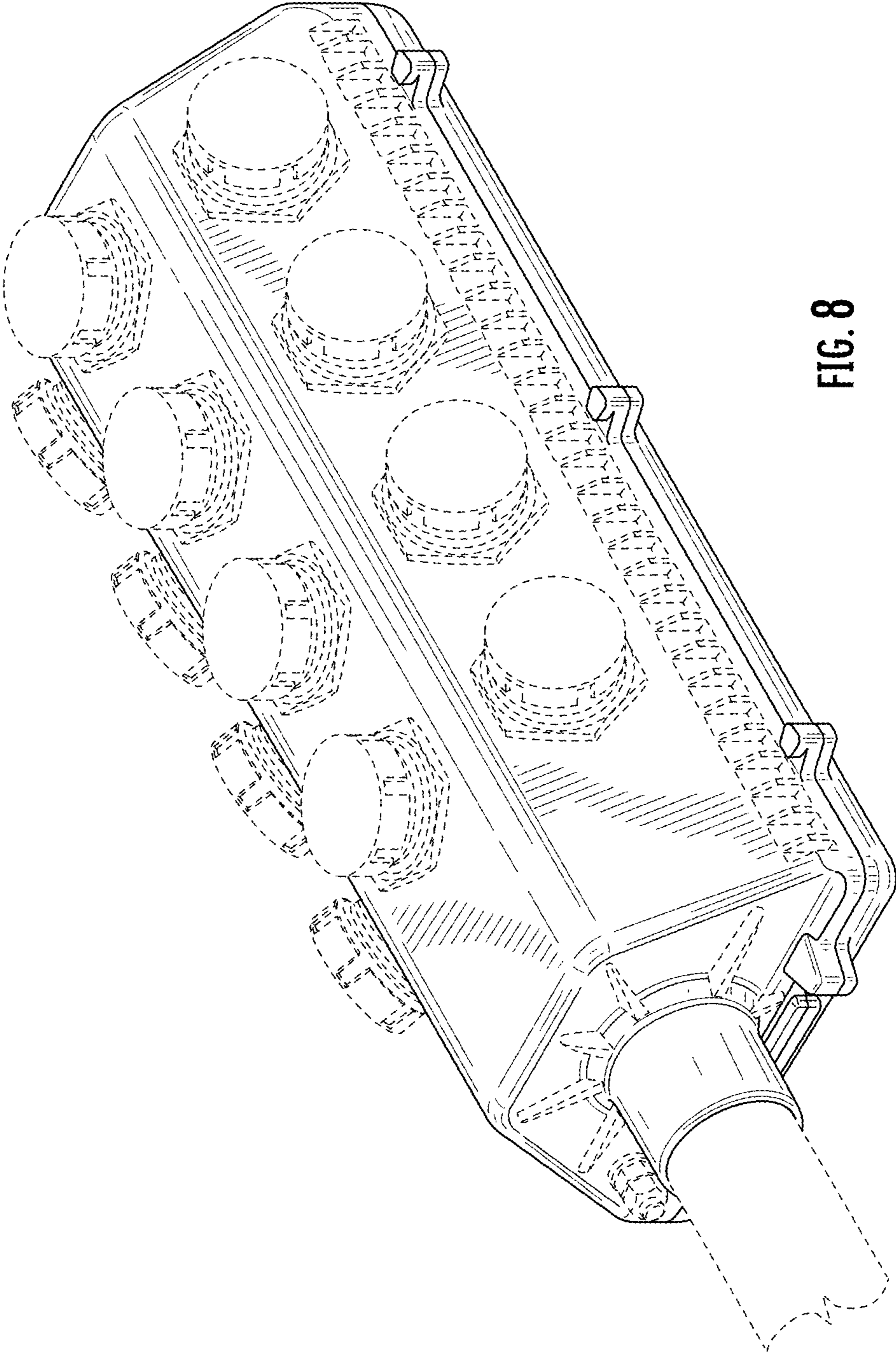


FIG. 8

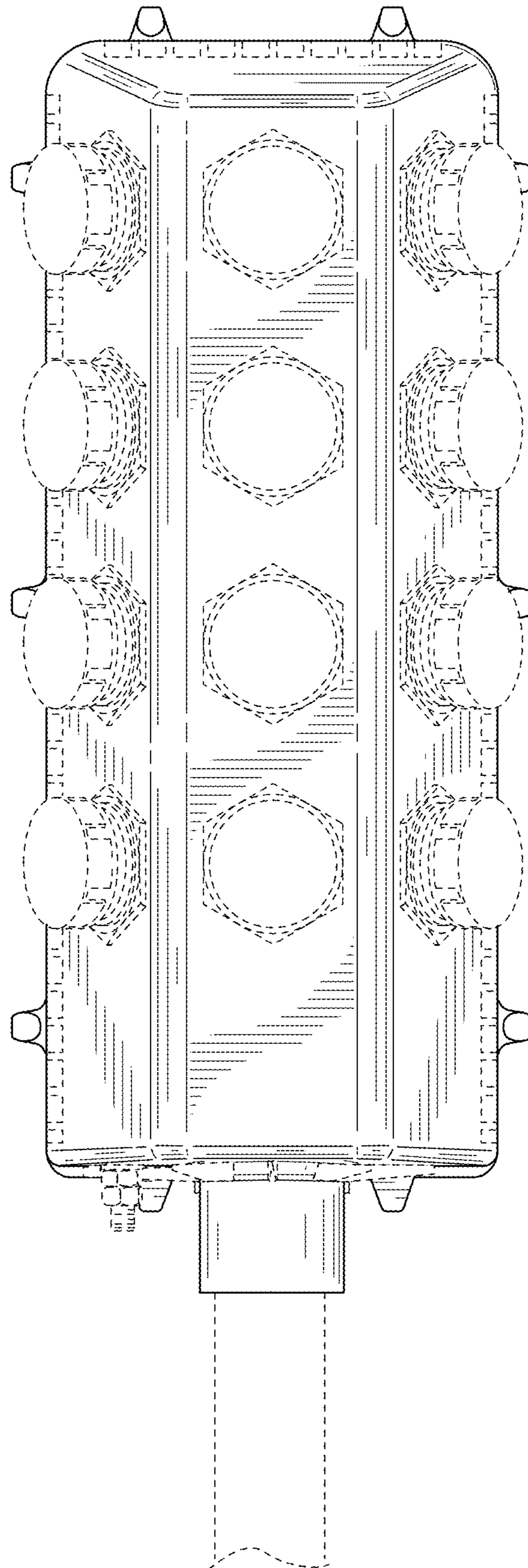


FIG. 9

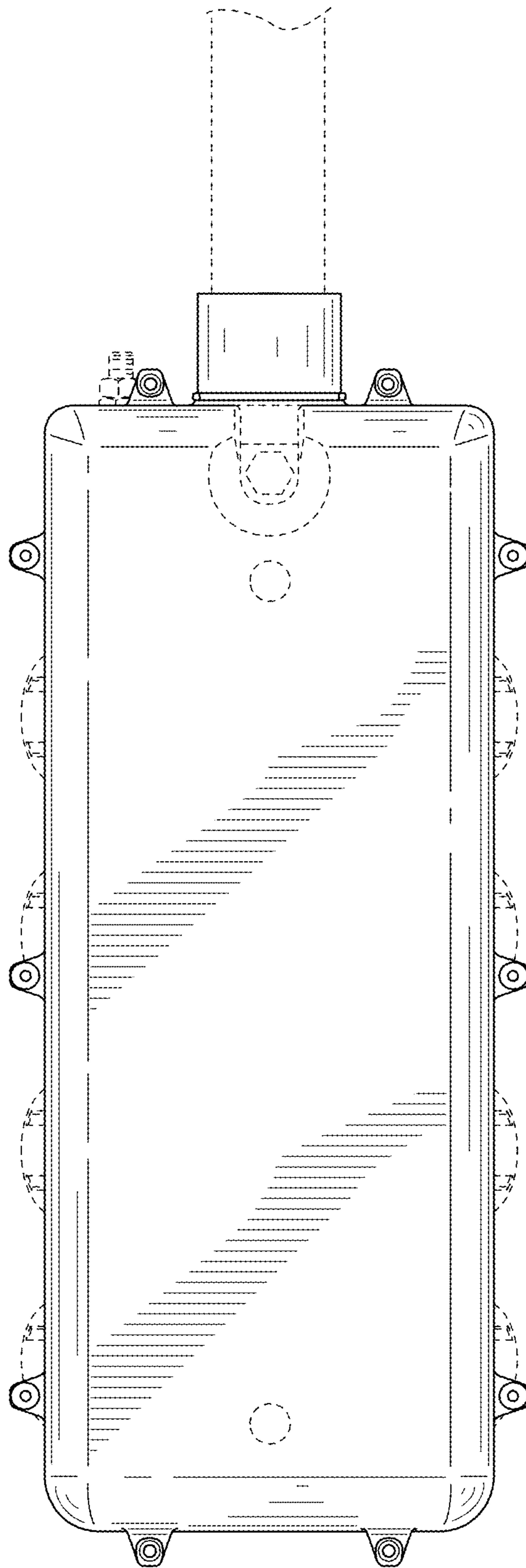


FIG. 10

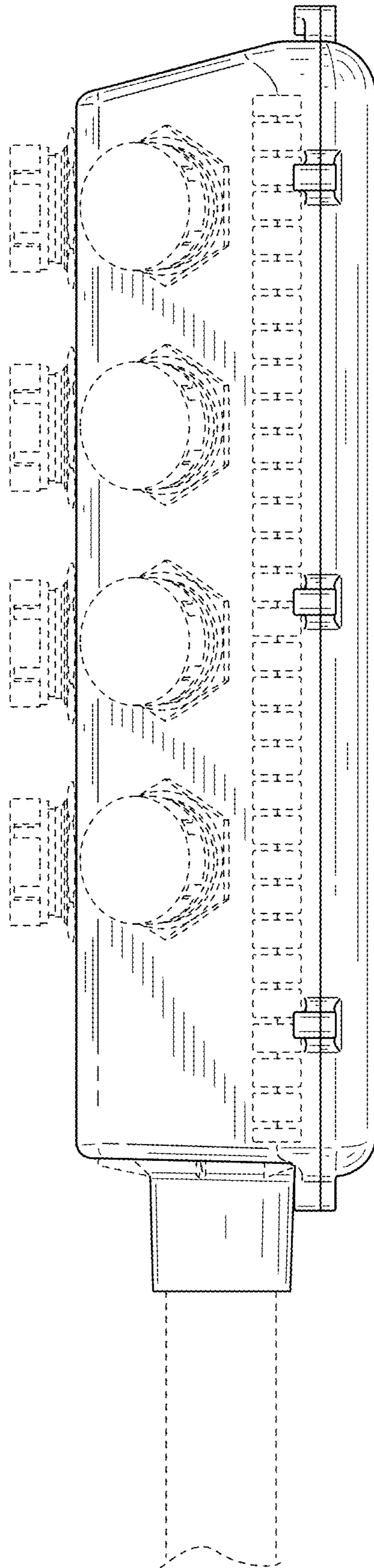


FIG. 11

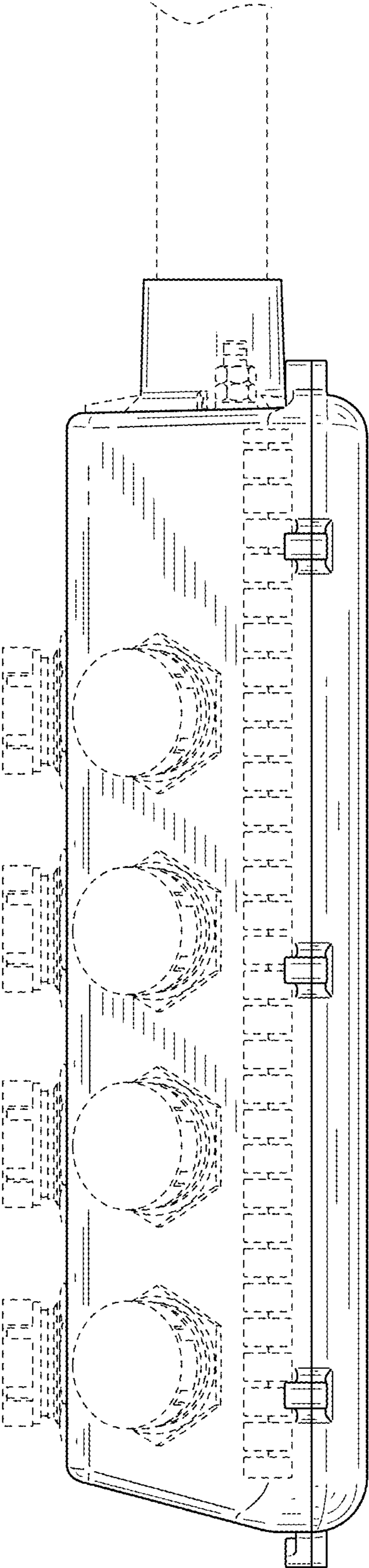


FIG. 12

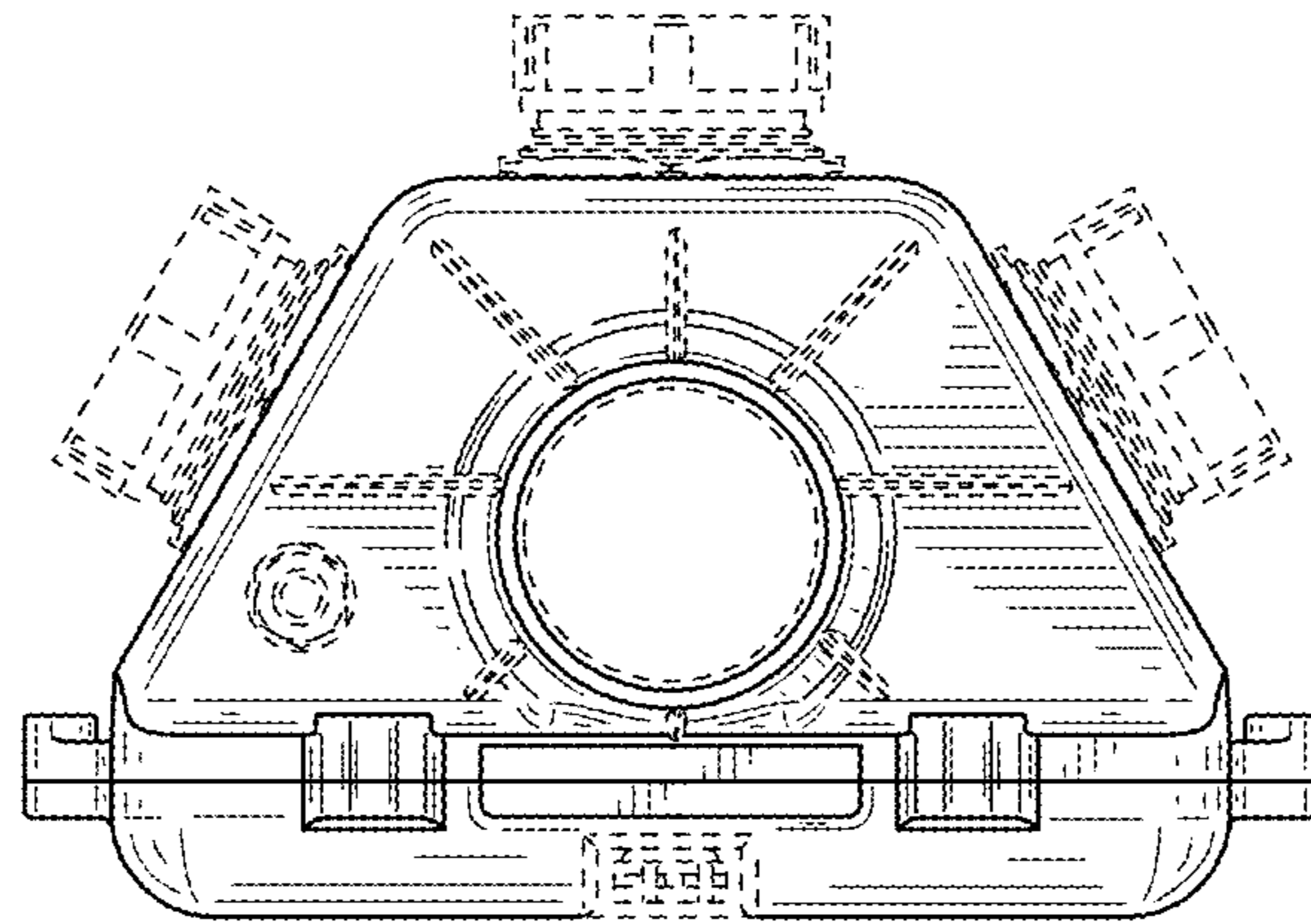


FIG. 13

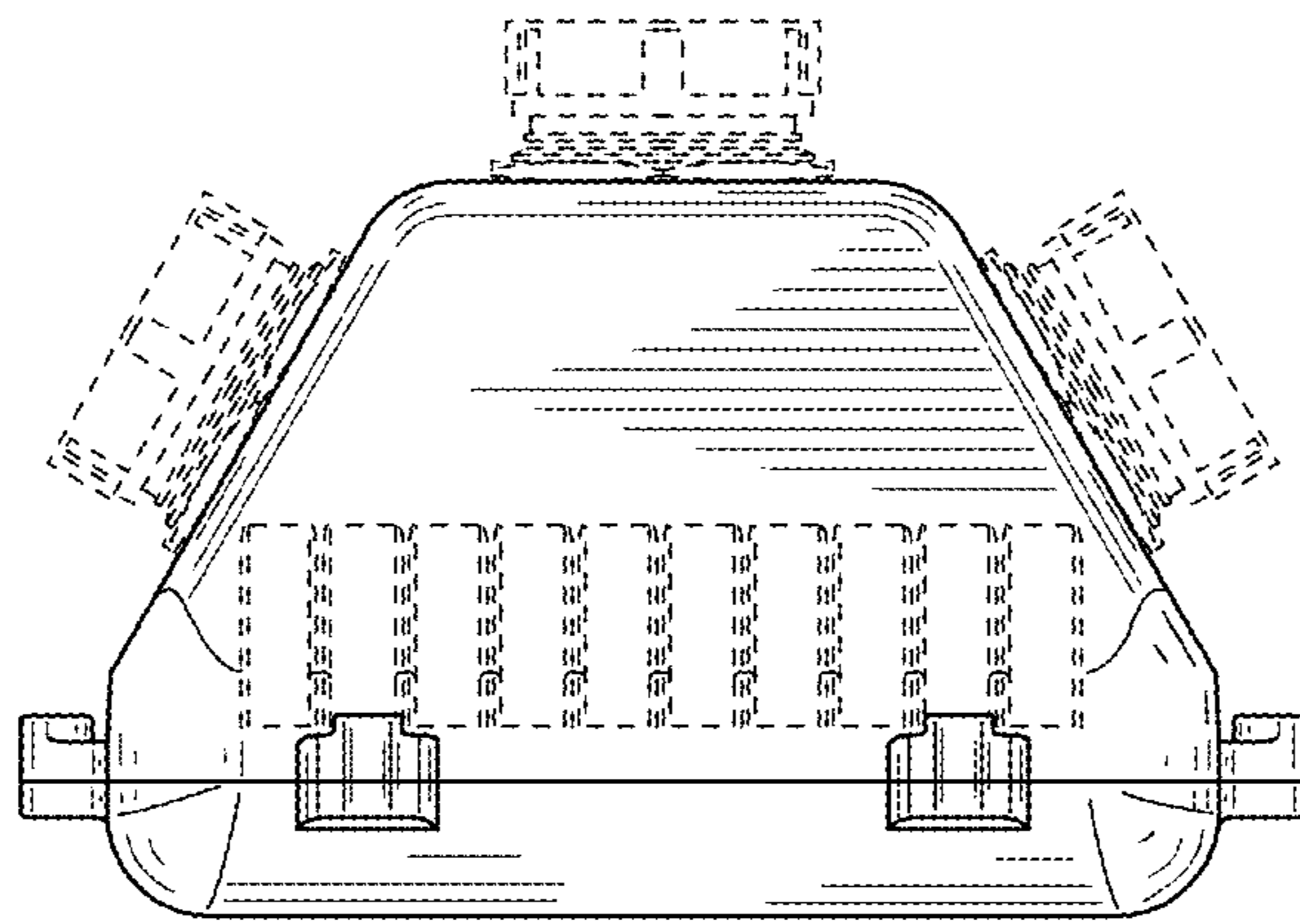


FIG. 14