



US00D876358S

(12) **United States Design Patent**
Tabata

(10) **Patent No.:** **US D876,358 S**

(45) **Date of Patent:** **** Feb. 25, 2020**

(54) **CONNECTOR**

(71) Applicant: **Japan Aviation Electronics Industry, Limited**, Tokyo (JP)

(72) Inventor: **Yuya Tabata**, Tokyo (JP)

(73) Assignee: **JAPAN AVIATION ELECTRONICS INDUSTRY, LIMITED**, Tokyo (JP)

(**) Term: **15 Years**

(21) Appl. No.: **29/672,981**

(22) Filed: **Dec. 11, 2018**

(30) **Foreign Application Priority Data**

Jun. 21, 2018 (JP) 2018-013658

(51) **LOC (12) Cl.** **13-03**

(52) **U.S. Cl.**
USPC **D13/133**

(58) **Field of Classification Search**
USPC D13/110, 118, 120, 123, 133, 146, 147, D13/149, 151, 154, 173, 184, 199
CPC H01R 13/434; H01R 13/44; H01R 13/52; H01R 13/629; H01R 13/64; H01R 13/648; H01R 24/86; H01R 43/20; H01R 43/26

See application file for complete search history.

(56) **References Cited**

U.S. PATENT DOCUMENTS

- D310,995 S * 10/1990 Yamamoto D13/147
- D319,813 S * 9/1991 Kozono D13/133
- 5,816,829 A * 10/1998 Chiang H01R 13/405
439/76.1
- 6,296,534 B1 * 10/2001 Yi H01R 31/065
174/263
- D476,955 S * 7/2003 Ushiro D13/147
- 7,534,138 B1 * 5/2009 Gump H01R 9/032
439/564

- D691,089 S * 10/2013 Suzuki D13/146
- D691,562 S * 10/2013 Suzuki D13/146
- D814,418 S * 4/2018 Kawakami D13/133
- D827,574 S * 9/2018 Kawakami D13/133
- 2012/0184122 A1 * 7/2012 Stokowski H01R 13/42
439/247
- 2013/0260586 A1 * 10/2013 Higuchi H01R 13/5219
439/272
- 2014/0302712 A1 * 10/2014 Rouchaud H01R 13/6658
439/607.34
- 2015/0126056 A1 * 5/2015 Morita H01R 13/521
439/323

(Continued)

Primary Examiner — Angela J Lee

Assistant Examiner — Shawn T Gingrich

(74) *Attorney, Agent, or Firm* — Manabu Kanesaka

(57) **CLAIM**

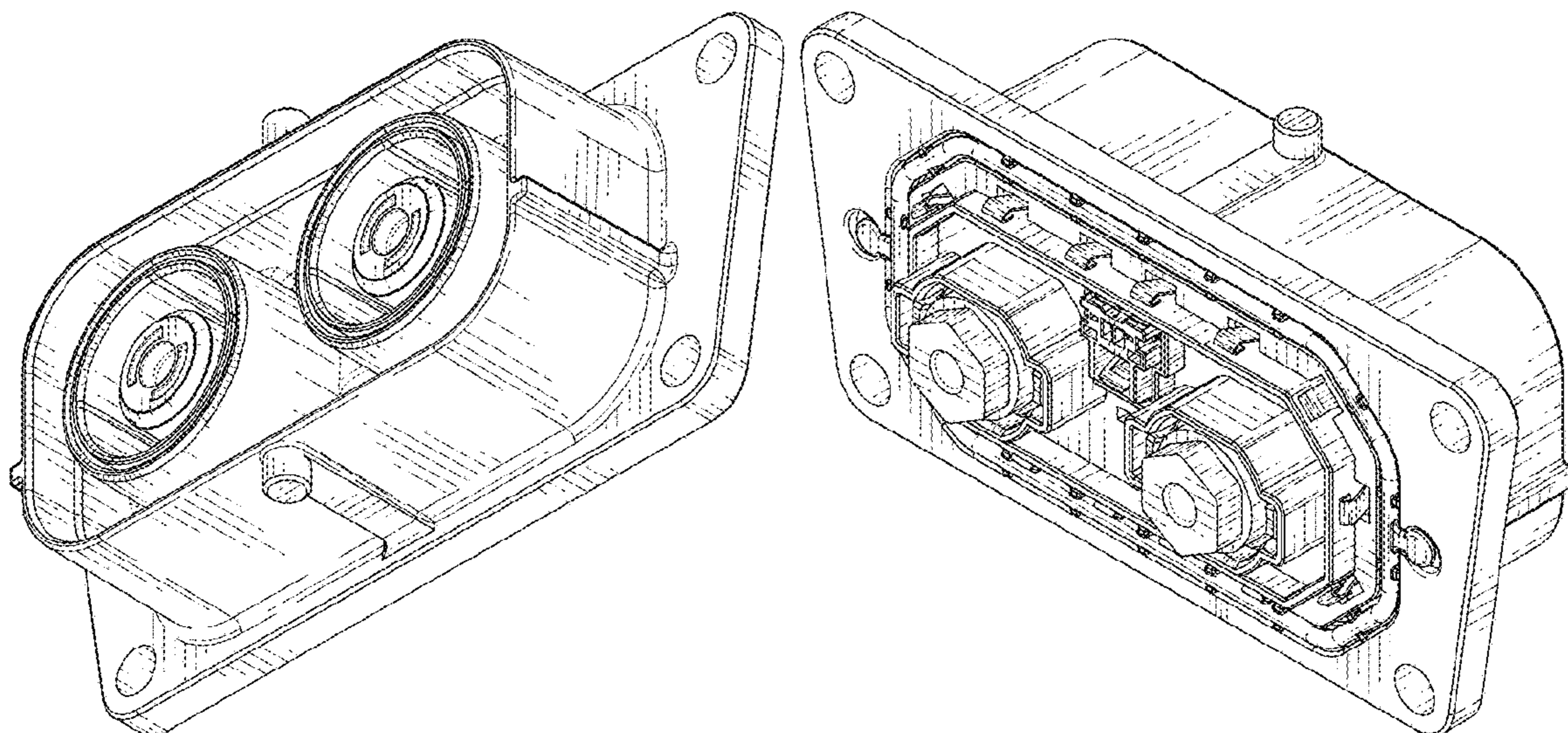
The ornamental design for a connector, as shown and described.

DESCRIPTION

FIG. 1 is a front elevational view of a connector showing my new design;
 FIG. 2 is a rear elevational view thereof;
 FIG. 3 is a right side elevational view thereof;
 FIG. 4 is a left side elevational view thereof;
 FIG. 5 is a top plan view thereof;
 FIG. 6 is a bottom plan view thereof;
 FIG. 7 is a perspective view showing a front, top and right side thereof;
 FIG. 8 is a perspective view showing a rear, bottom and left side thereof;
 FIG. 9 is a perspective view showing a front, right and bottom side thereof; and,
 FIG. 10 is a perspective view showing a rear, left and top side thereof.

The broken line showing of the connector is for the purpose of illustrating portions of the article and forms no part of the claimed design.

1 Claim, 5 Drawing Sheets



(56)

References Cited

U.S. PATENT DOCUMENTS

2015/0372413 A1* 12/2015 Kataoka H01R 13/521
439/271
2019/0237895 A1* 8/2019 Ueberschlag H01R 13/44

* cited by examiner

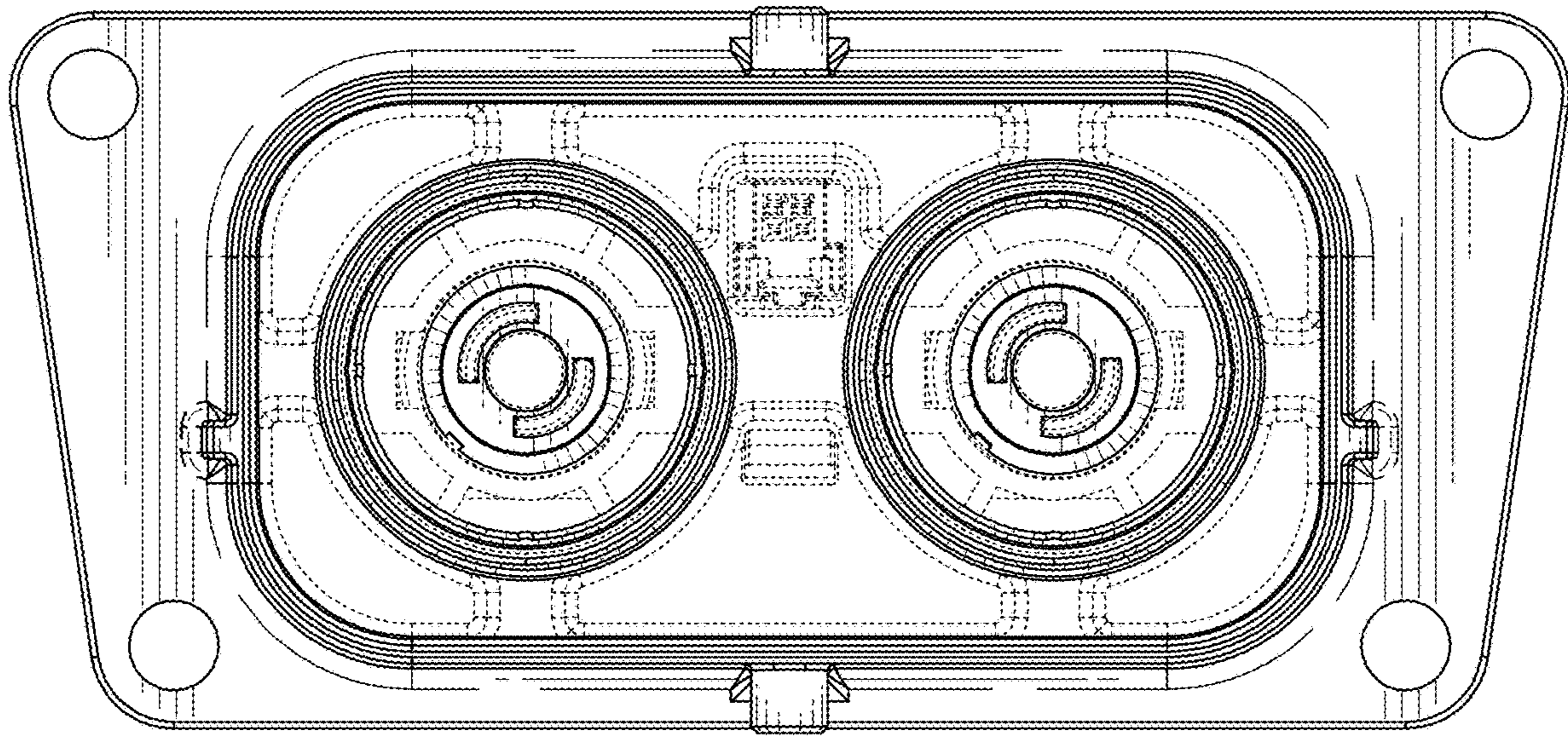


FIG. 1

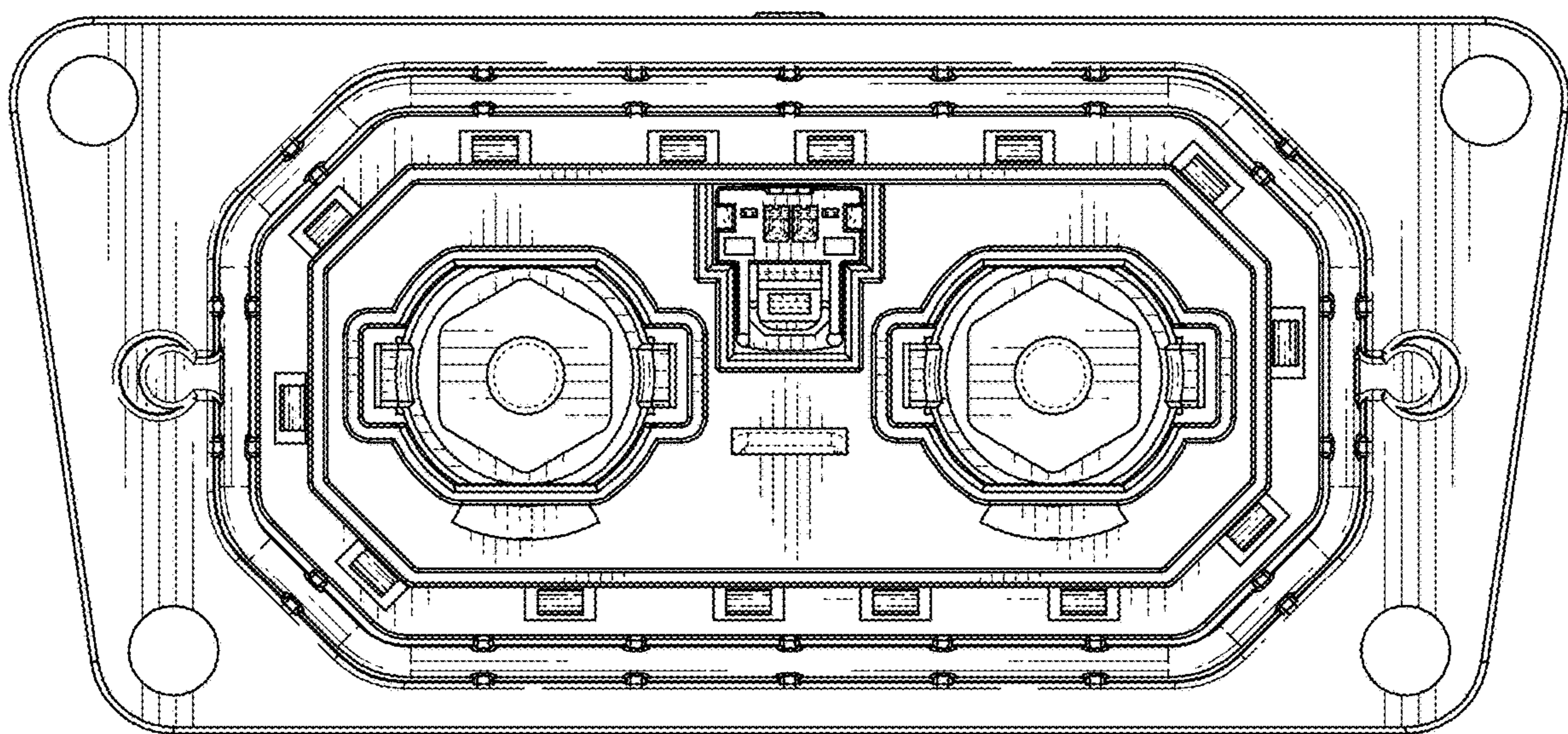


FIG. 2

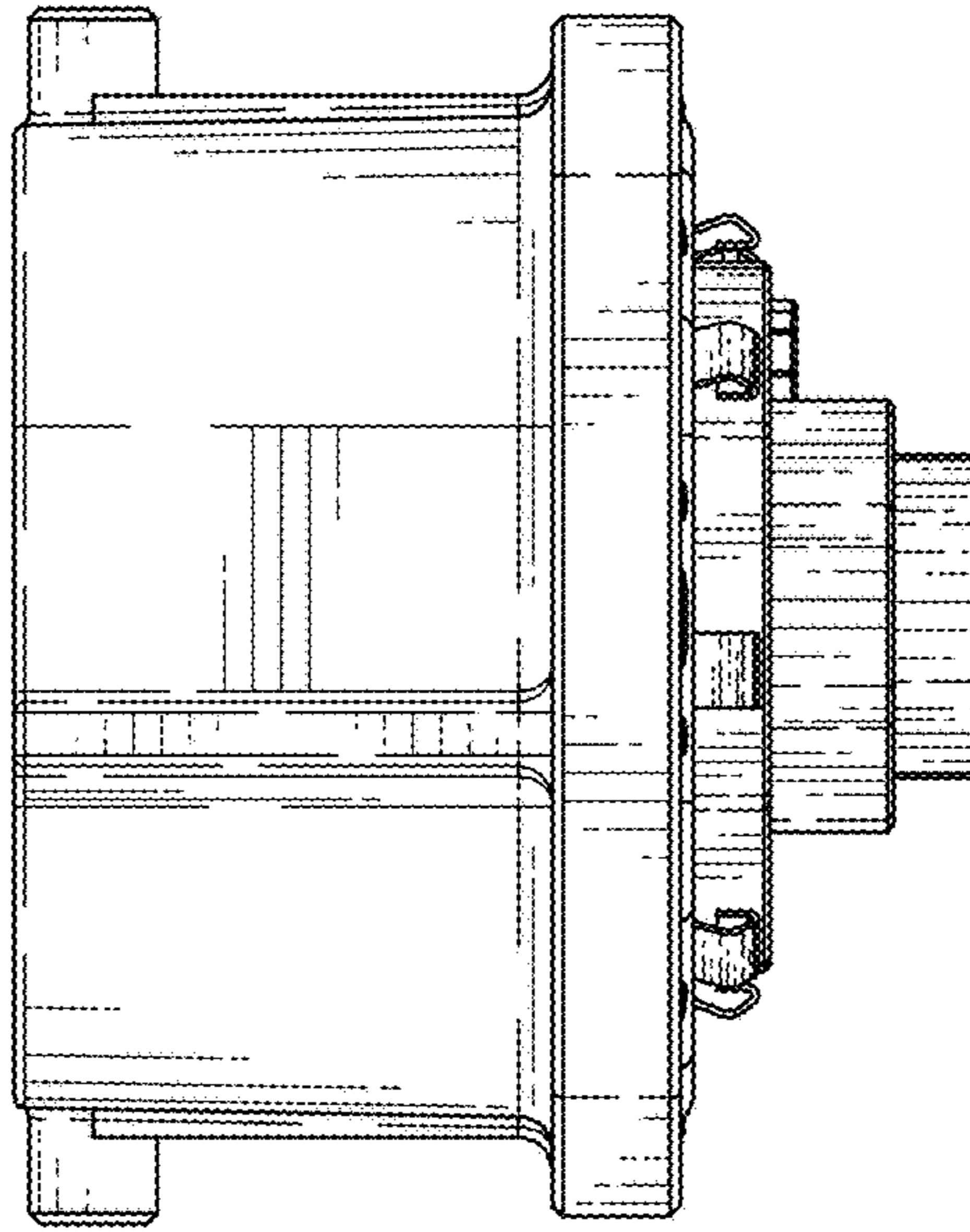


FIG. 3

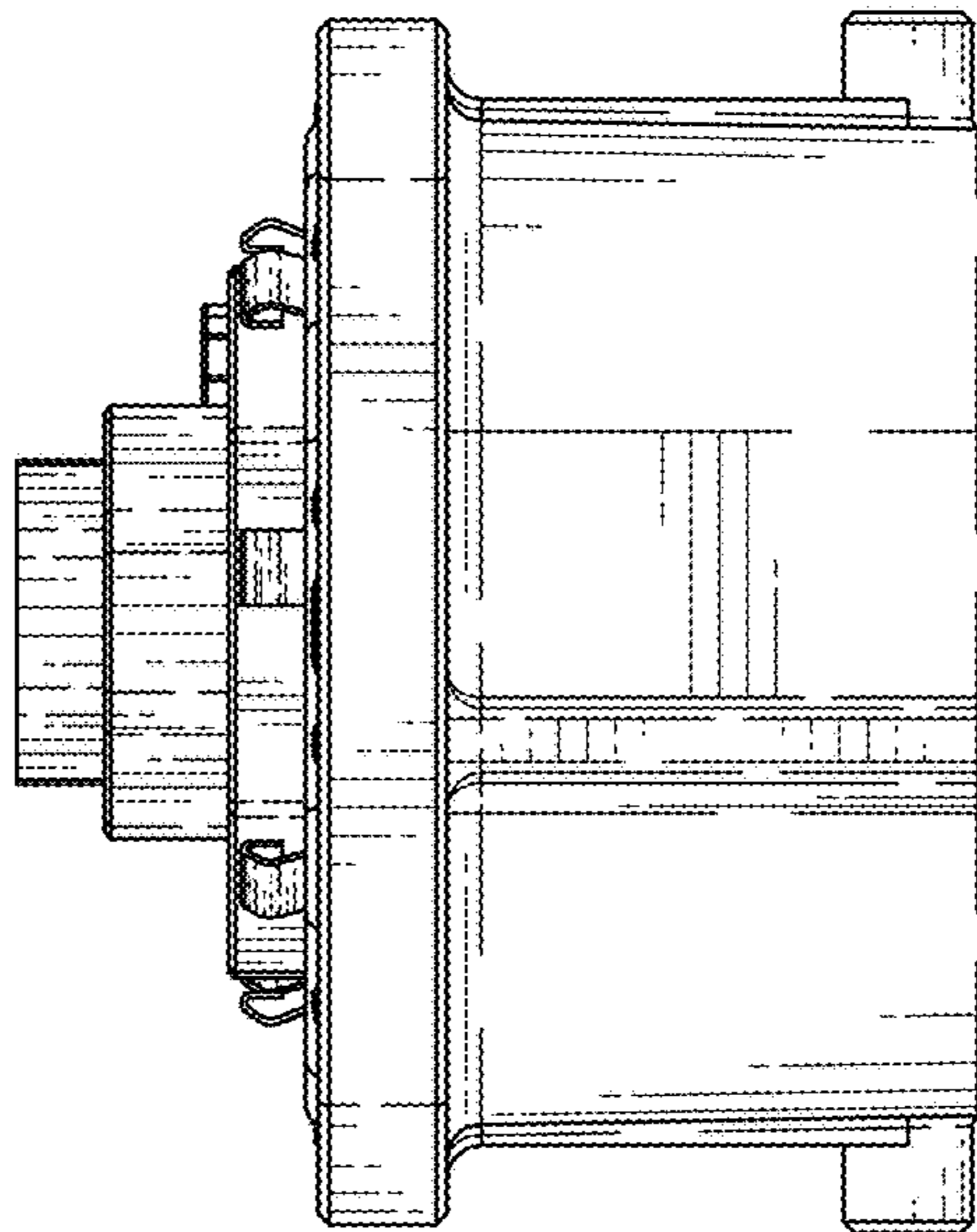


FIG. 4

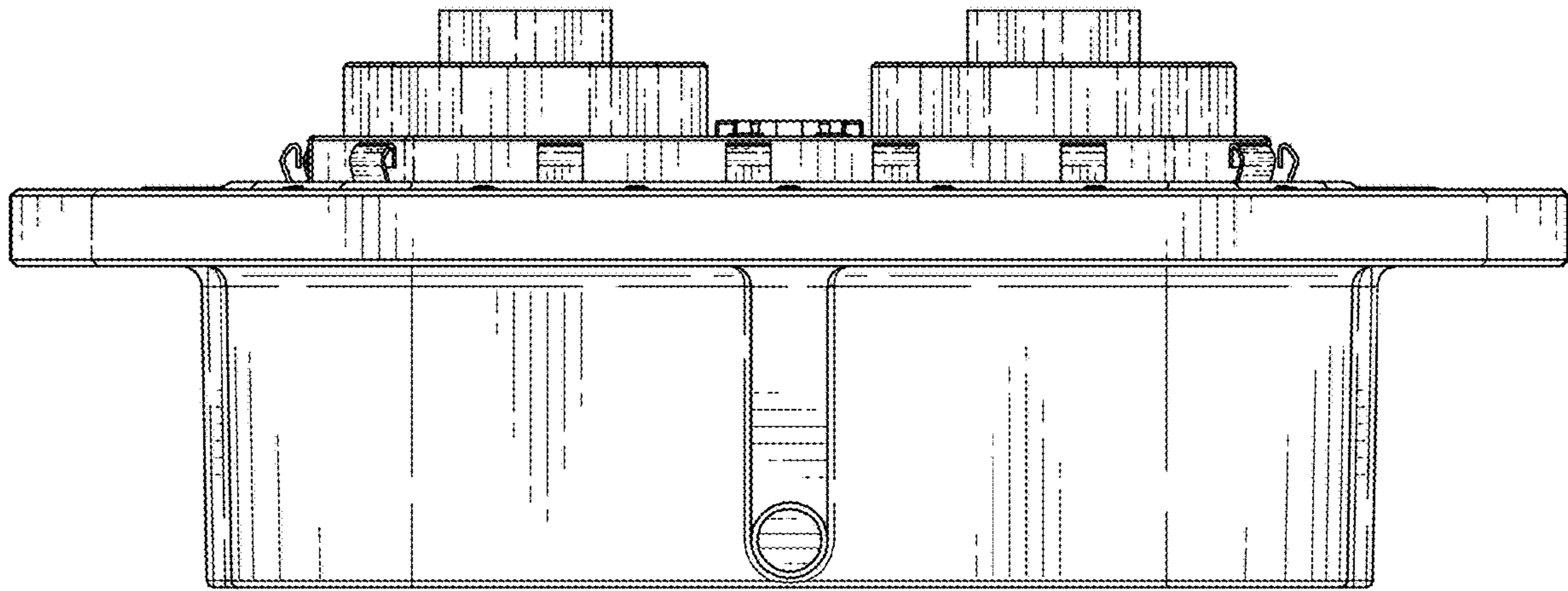


FIG. 5

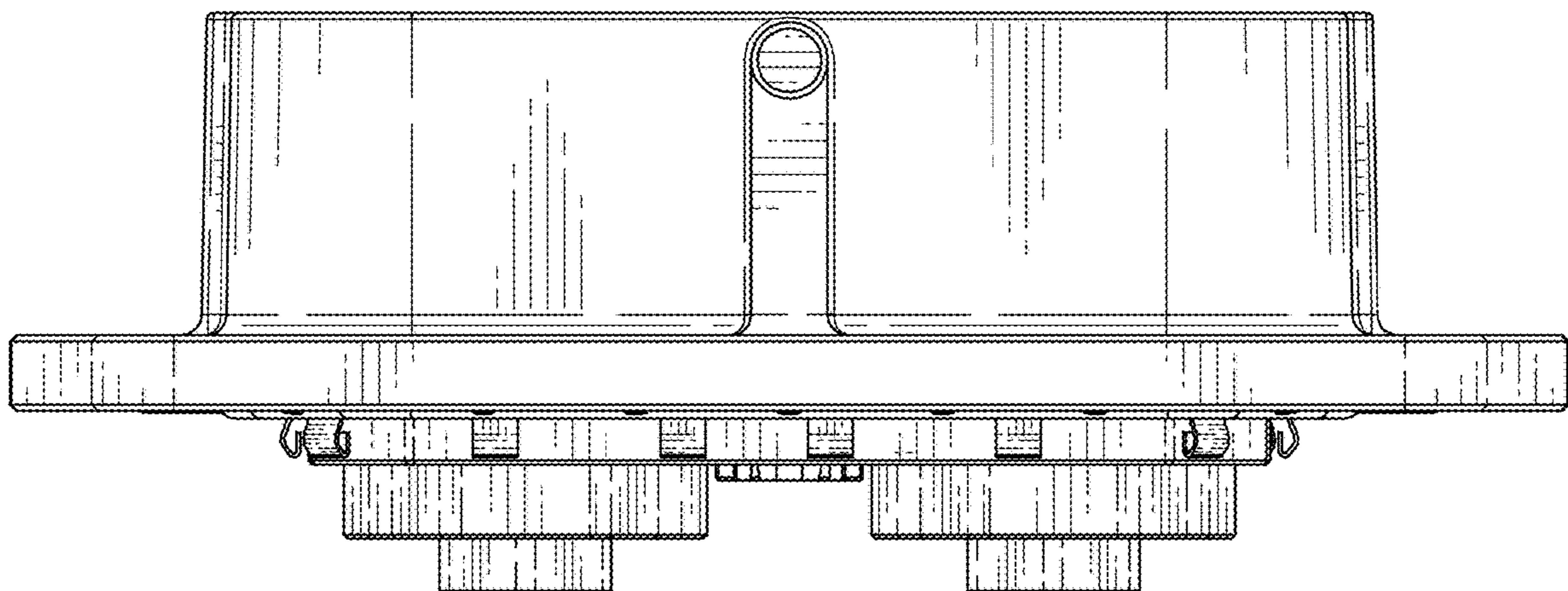


FIG. 6

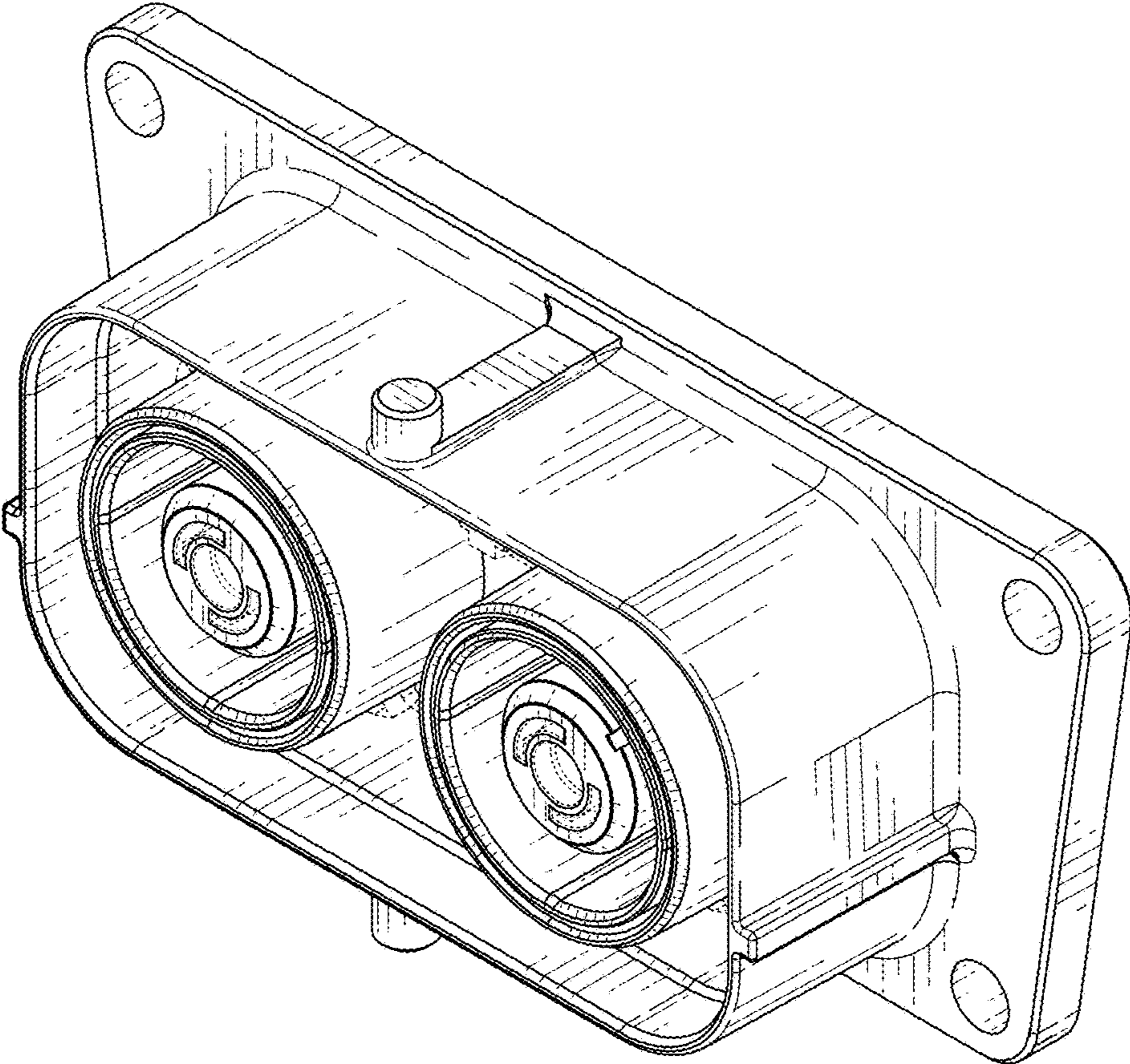


FIG. 7

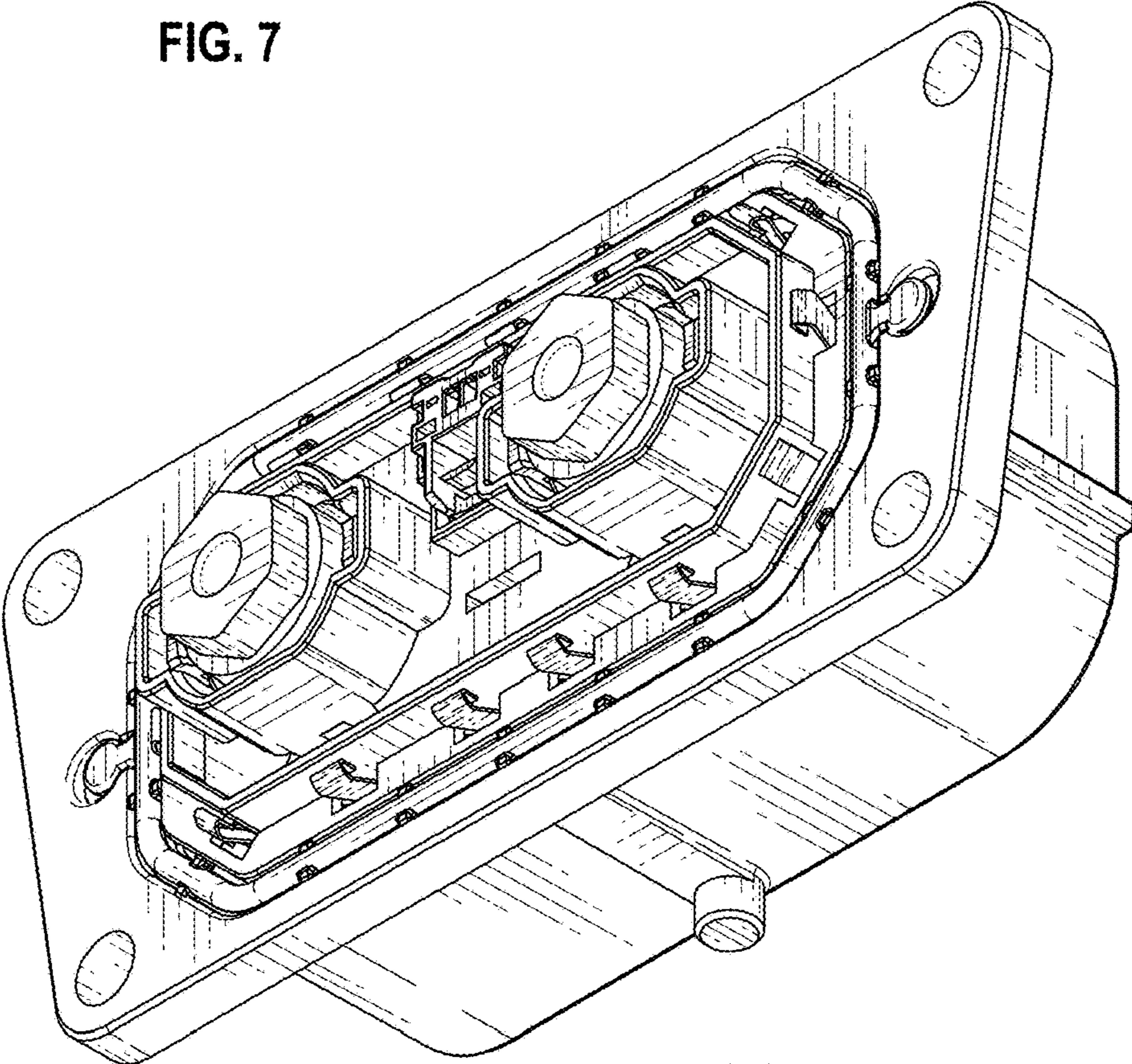


FIG. 8

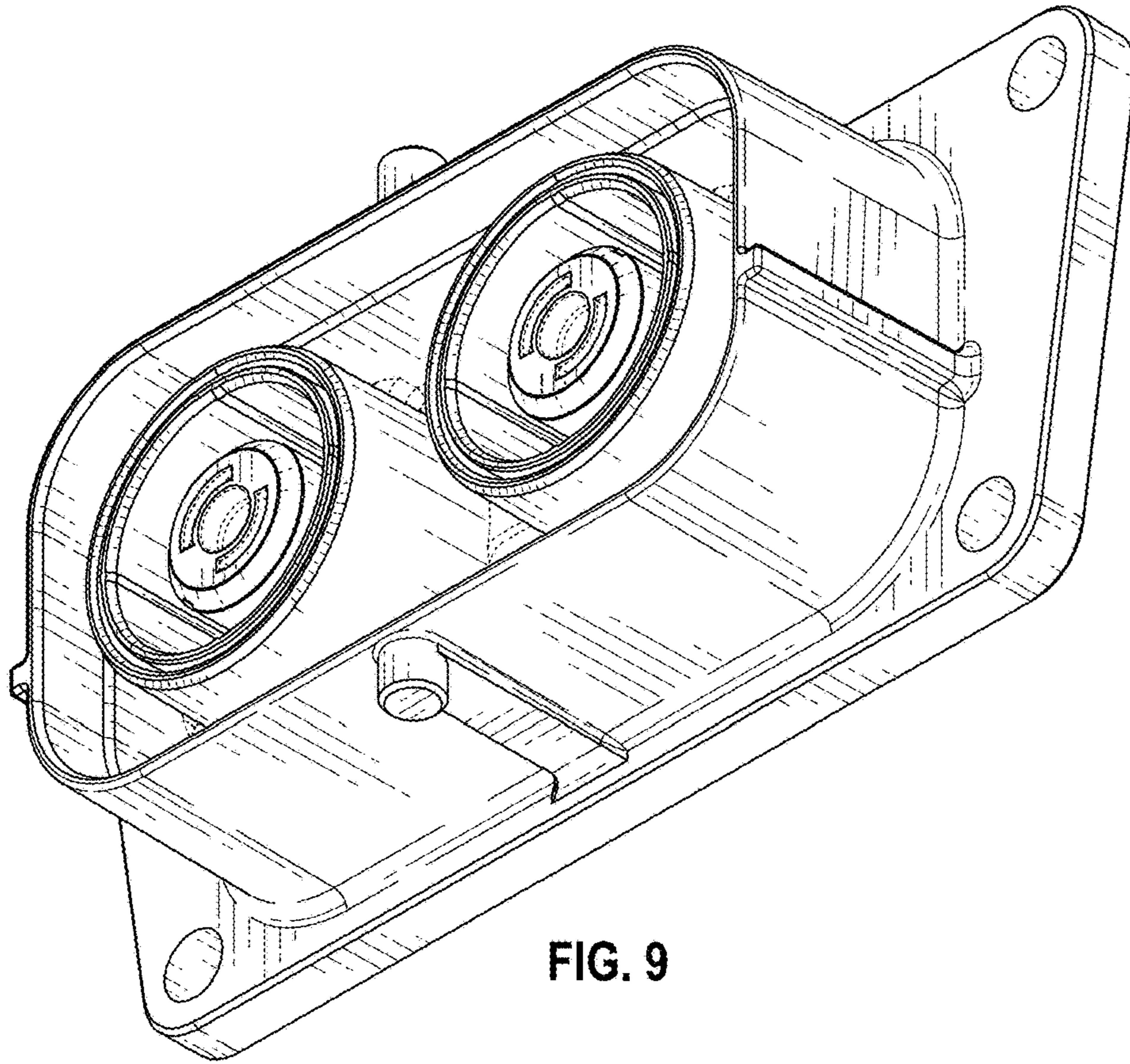


FIG. 9

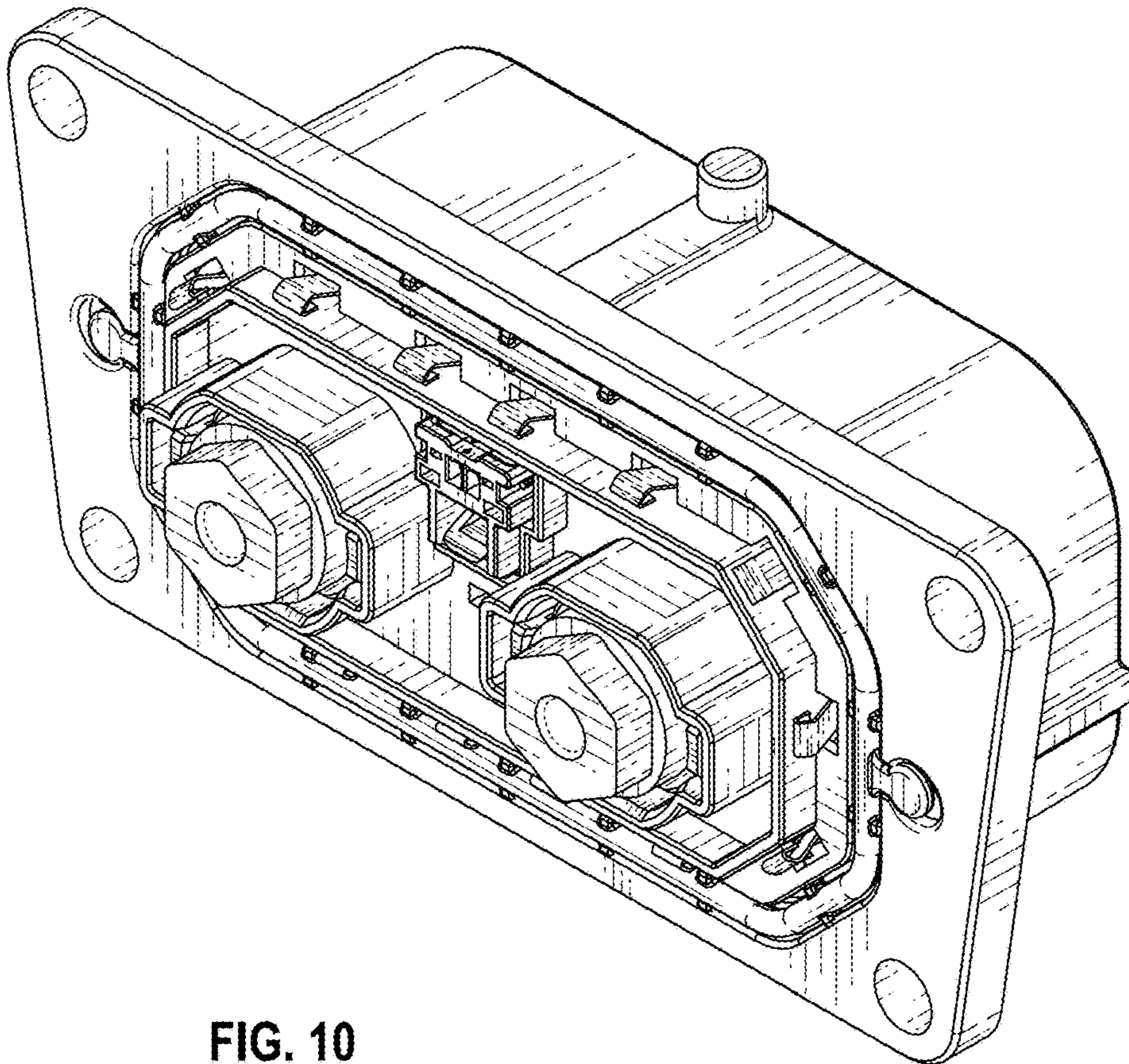


FIG. 10