



US00D876357S

(12) **United States Design Patent**  
**Tabata**

(10) **Patent No.:** **US D876,357 S**

(45) **Date of Patent:** **\*\* Feb. 25, 2020**

(54) **CONNECTOR**

(71) Applicant: **Japan Aviation Electronics Industry, Limited, Tokyo (JP)**

(72) Inventor: **Yuya Tabata, Tokyo (JP)**

(73) Assignee: **JAPAN AVIATION ELECTRONICS INDUSTRY, LIMITED, Tokyo (JP)**

(\*\*) Term: **15 Years**

(21) Appl. No.: **29/672,978**

(22) Filed: **Dec. 11, 2018**

(30) **Foreign Application Priority Data**

Jun. 21, 2018 (JP) ..... 2018-013657

(51) **LOC (12) Cl.** ..... **13-03**

(52) **U.S. Cl.**  
USPC ..... **D13/133**

(58) **Field of Classification Search**

USPC ..... D13/110, 118, 120, 123, 133, 146, 147,  
D13/149, 151, 154, 173, 184, 199  
CPC ..... H01R 13/434; H01R 13/44; H01R 13/52;  
H01R 13/629; H01R 13/64; H01R  
13/648; H01R 24/86; H01R 43/20; H01R  
43/26

See application file for complete search history.

(56) **References Cited**

**U.S. PATENT DOCUMENTS**

D491,534 S \* 6/2004 Ko ..... D13/147  
D699,186 S \* 2/2014 Suzuki ..... D13/146  
D774,461 S \* 12/2016 Petricek ..... D13/147  
2004/0235364 A1\* 11/2004 Matsumoto ..... B60L 50/72  
439/752  
2012/0184122 A1\* 7/2012 Stokowski ..... H01R 13/42  
439/247  
2013/0019471 A1\* 1/2013 Omae ..... H01R 9/0518  
29/876

2013/0035003 A1\* 2/2013 Frank ..... H01R 13/14  
439/750  
2013/0260586 A1\* 10/2013 Higuchi ..... H01R 13/5219  
439/272  
2013/0316579 A1\* 11/2013 Nakayama ..... H01R 13/506  
439/607.01  
2014/0004740 A1\* 1/2014 Uno ..... H01R 13/6592  
439/607.58  
2015/0280381 A1\* 10/2015 Rangi ..... H01R 13/658  
439/607.01  
2015/0372413 A1\* 12/2015 Kataoka ..... H01R 13/521  
439/271

(Continued)

*Primary Examiner* — Angela J Lee

*Assistant Examiner* — Shawn T Gingrich

(74) *Attorney, Agent, or Firm* — Manabu Kanesaka

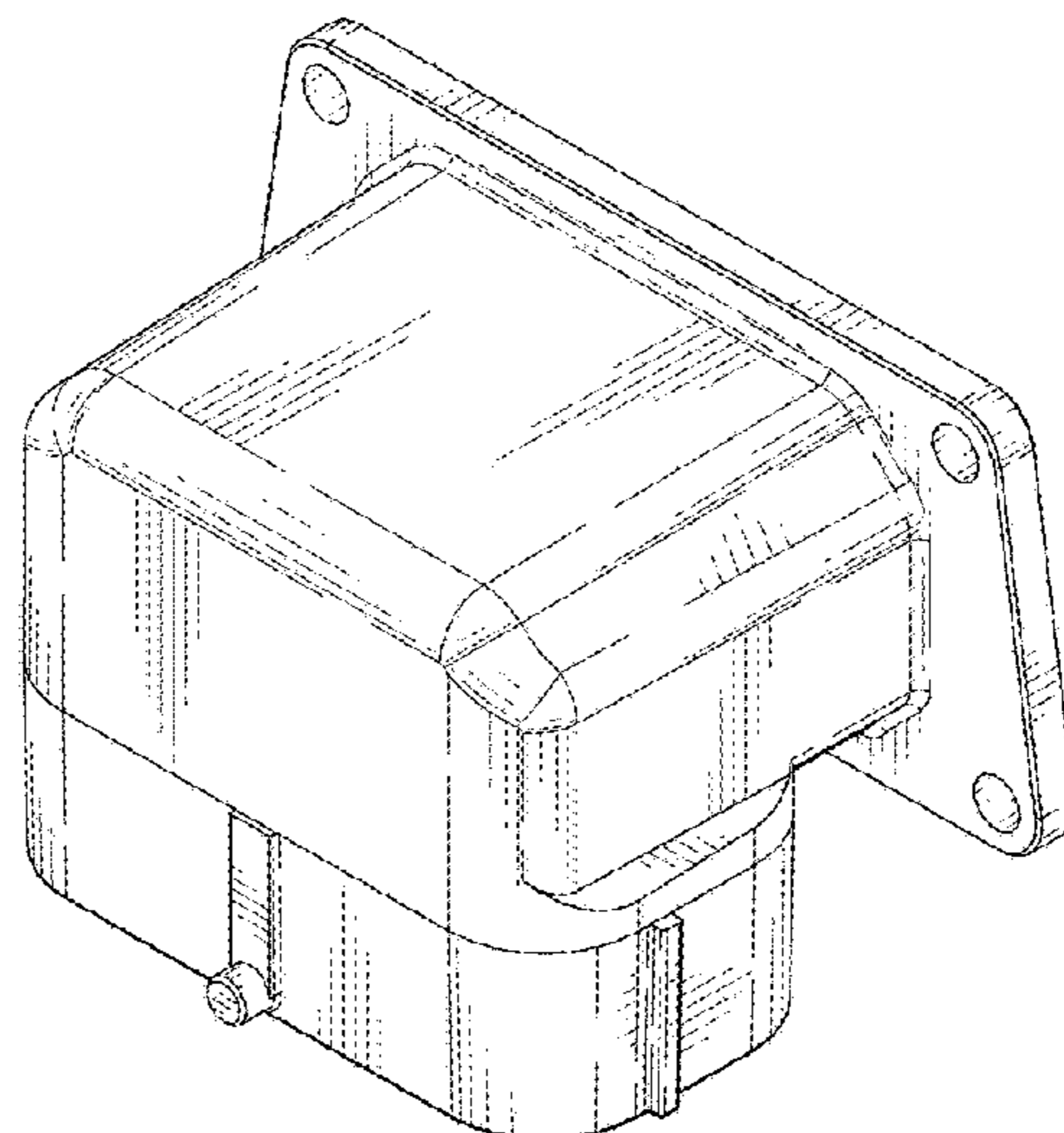
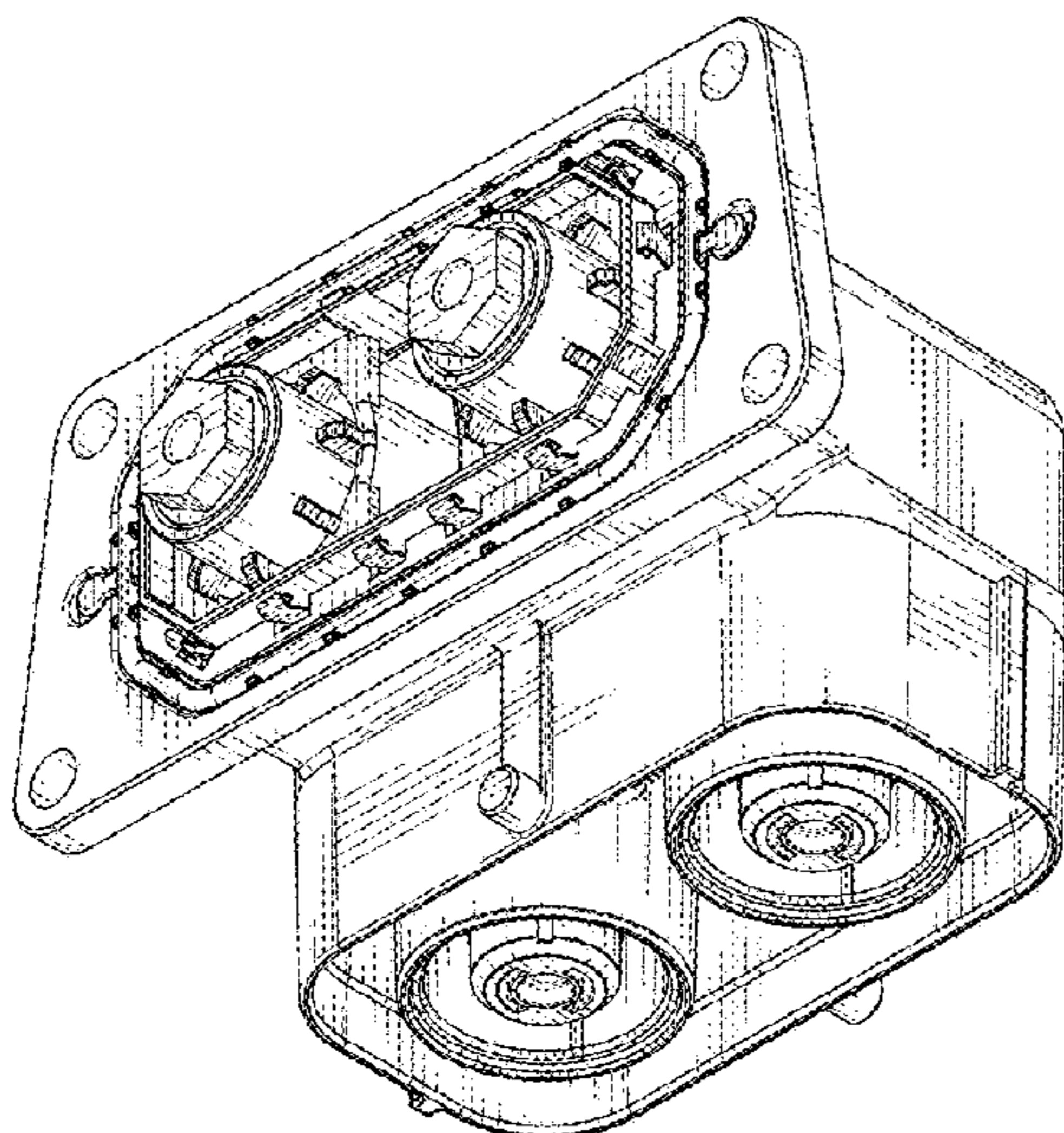
(57) **CLAIM**

The ornamental design for a connector, as shown and described.

**DESCRIPTION**

FIG. 1 is a front elevational view of a connector showing my new design;  
FIG. 2 is a rear elevational view thereof;  
FIG. 3 is a right side elevational view thereof;  
FIG. 4 is a left side elevational view thereof;  
FIG. 5 is a top plan view thereof;  
FIG. 6 is a bottom plan view thereof;  
FIG. 7 is a perspective view showing a front, top and right side thereof;  
FIG. 8 is a perspective view showing a rear, bottom and left side thereof;  
FIG. 9 is a perspective view showing a front, right and bottom side thereof; and,  
FIG. 10 is a perspective view showing a rear, left and top side thereof.  
The broken line showing of the connector is for the purpose of illustrating portions of the article and forms no part of the claimed design.

**1 Claim, 5 Drawing Sheets**



(56)

**References Cited**

U.S. PATENT DOCUMENTS

2015/0372420 A1\* 12/2015 Kamei ..... H01R 13/633  
439/159  
2016/0036163 A1\* 2/2016 Ebisawa ..... H01R 13/639  
439/358  
2018/0034178 A1\* 2/2018 Tyler ..... H01R 13/04  
2018/0054025 A1\* 2/2018 Tabata ..... H01R 13/62933  
2019/0237895 A1\* 8/2019 Ueberschlag ..... H01R 13/44

\* cited by examiner

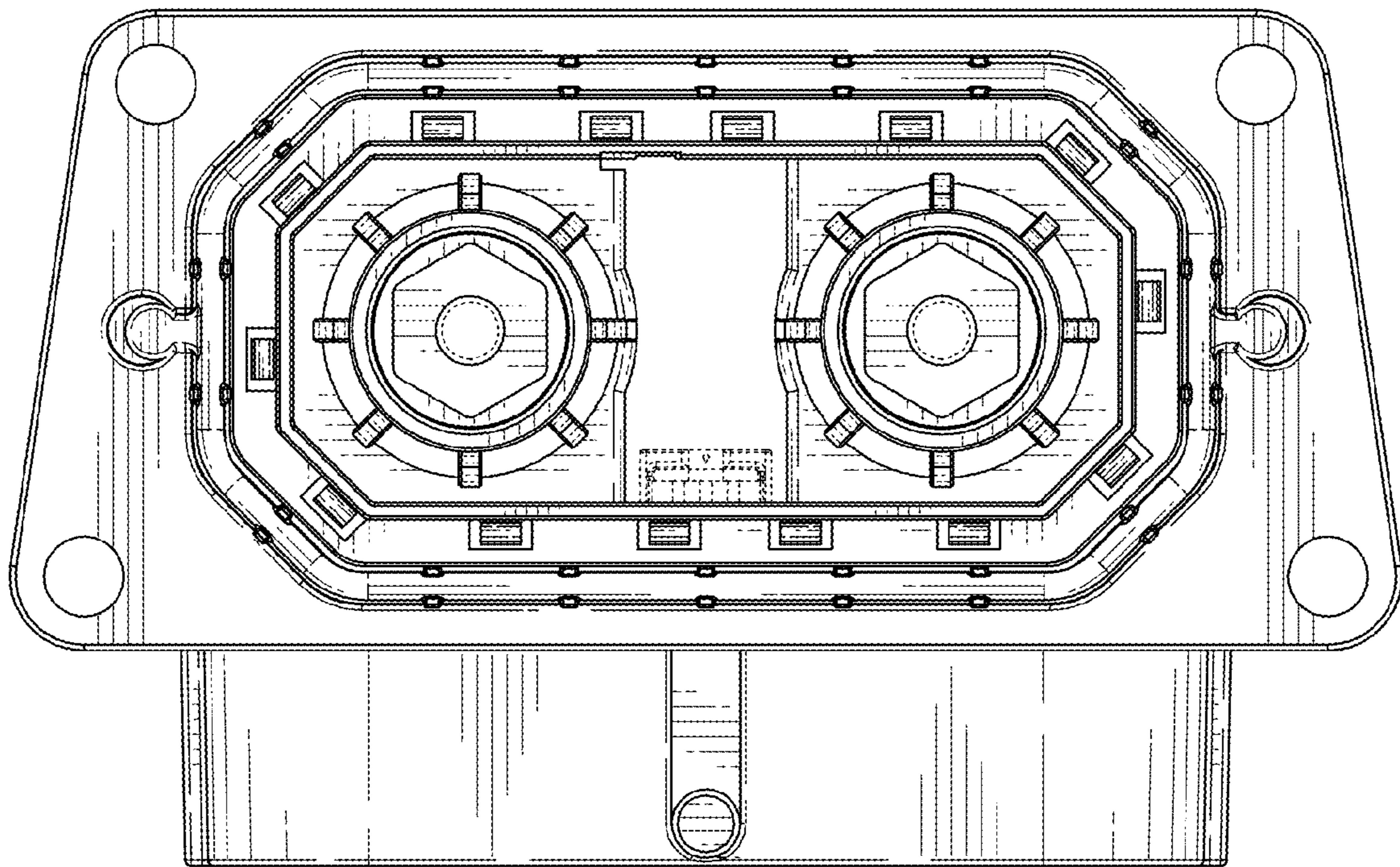


FIG. 1

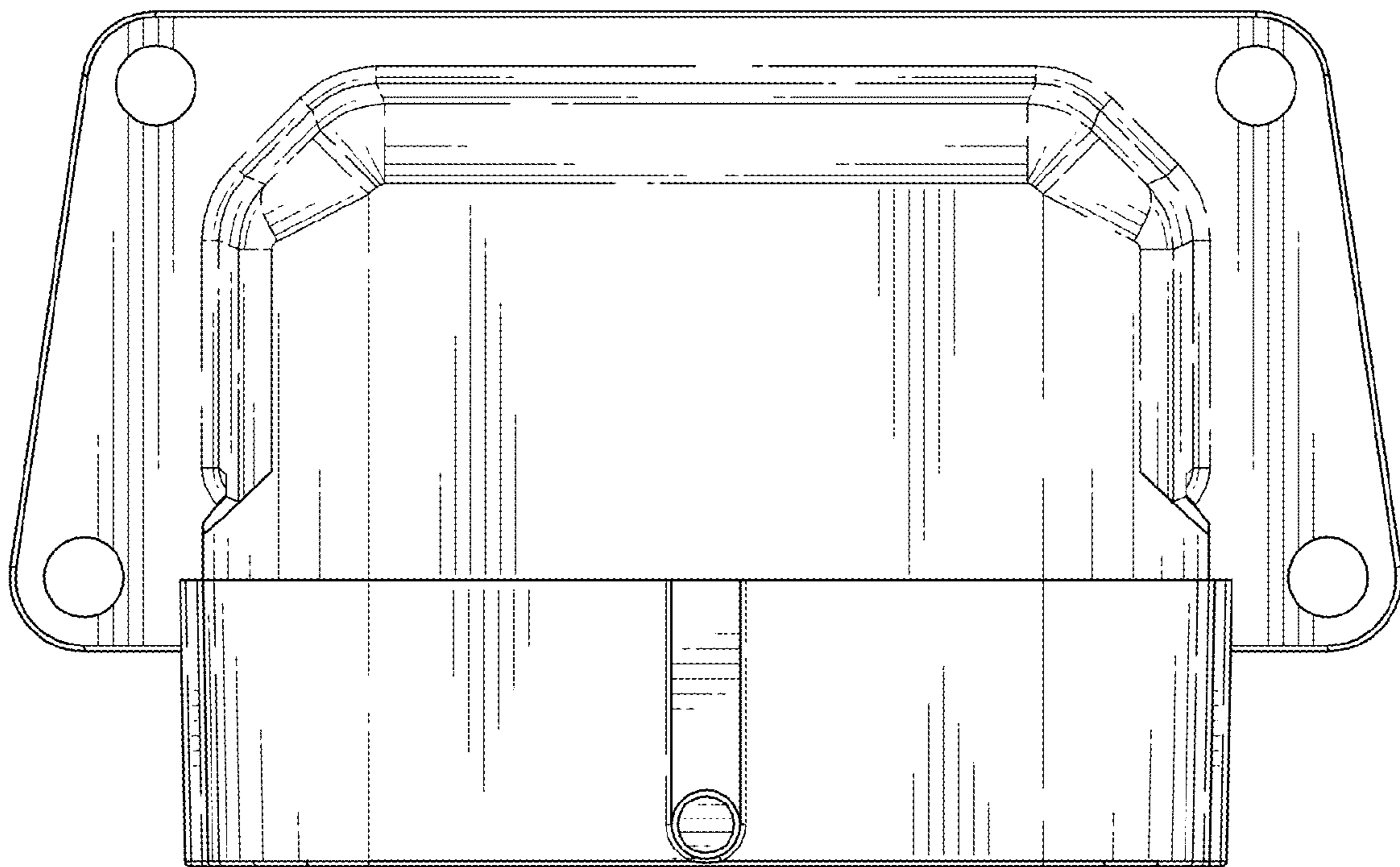


FIG. 2

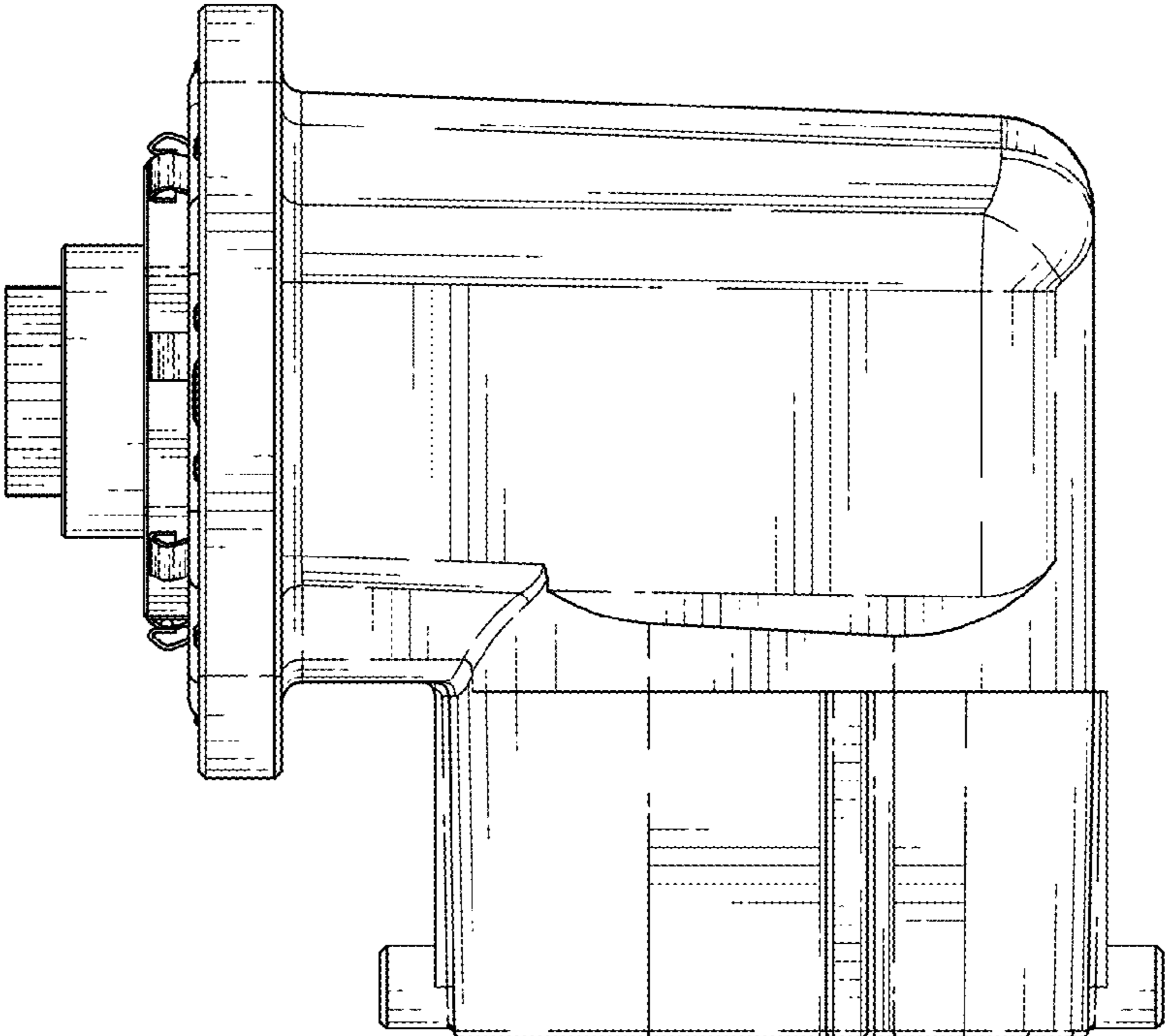


FIG. 3

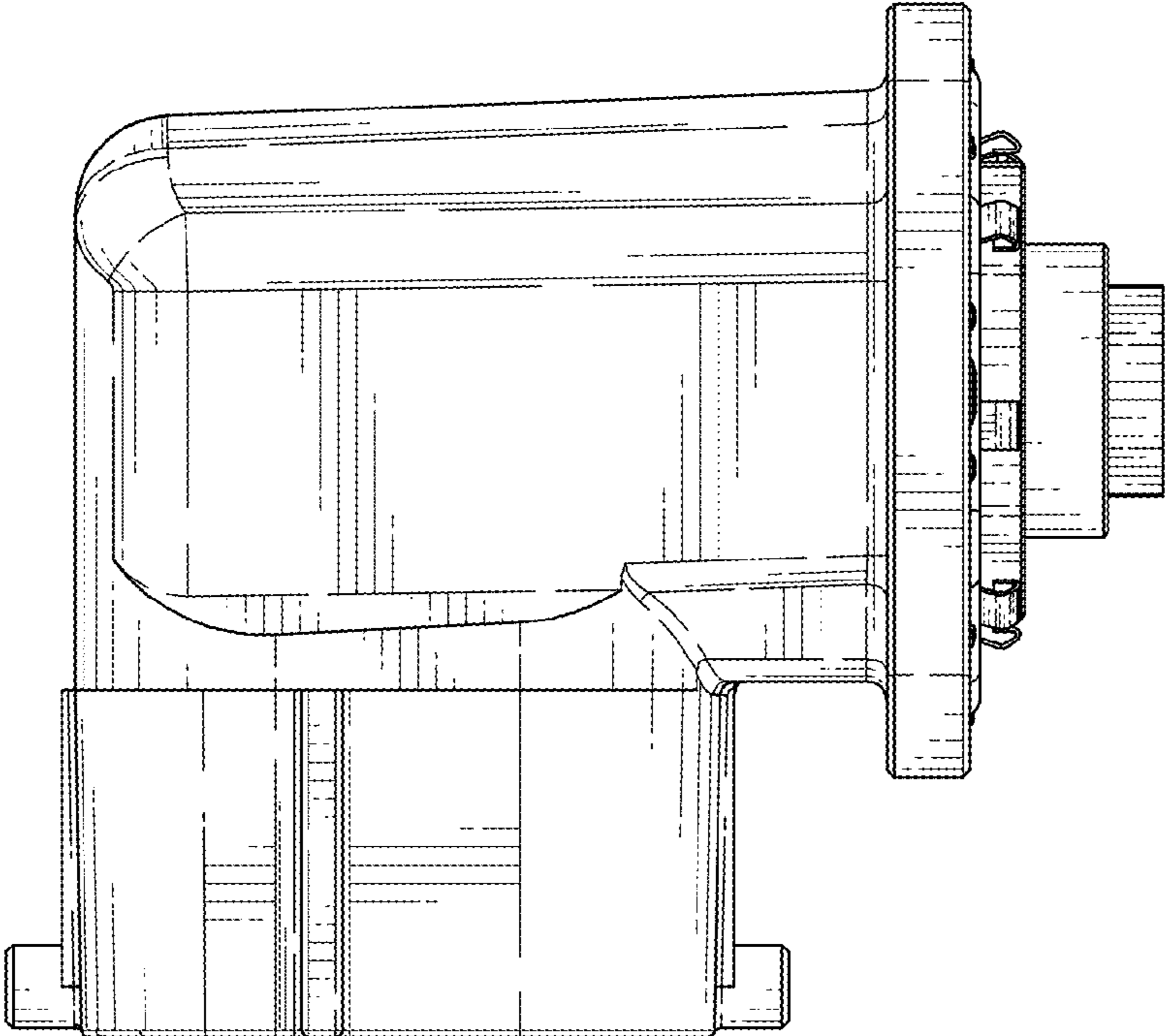


FIG. 4

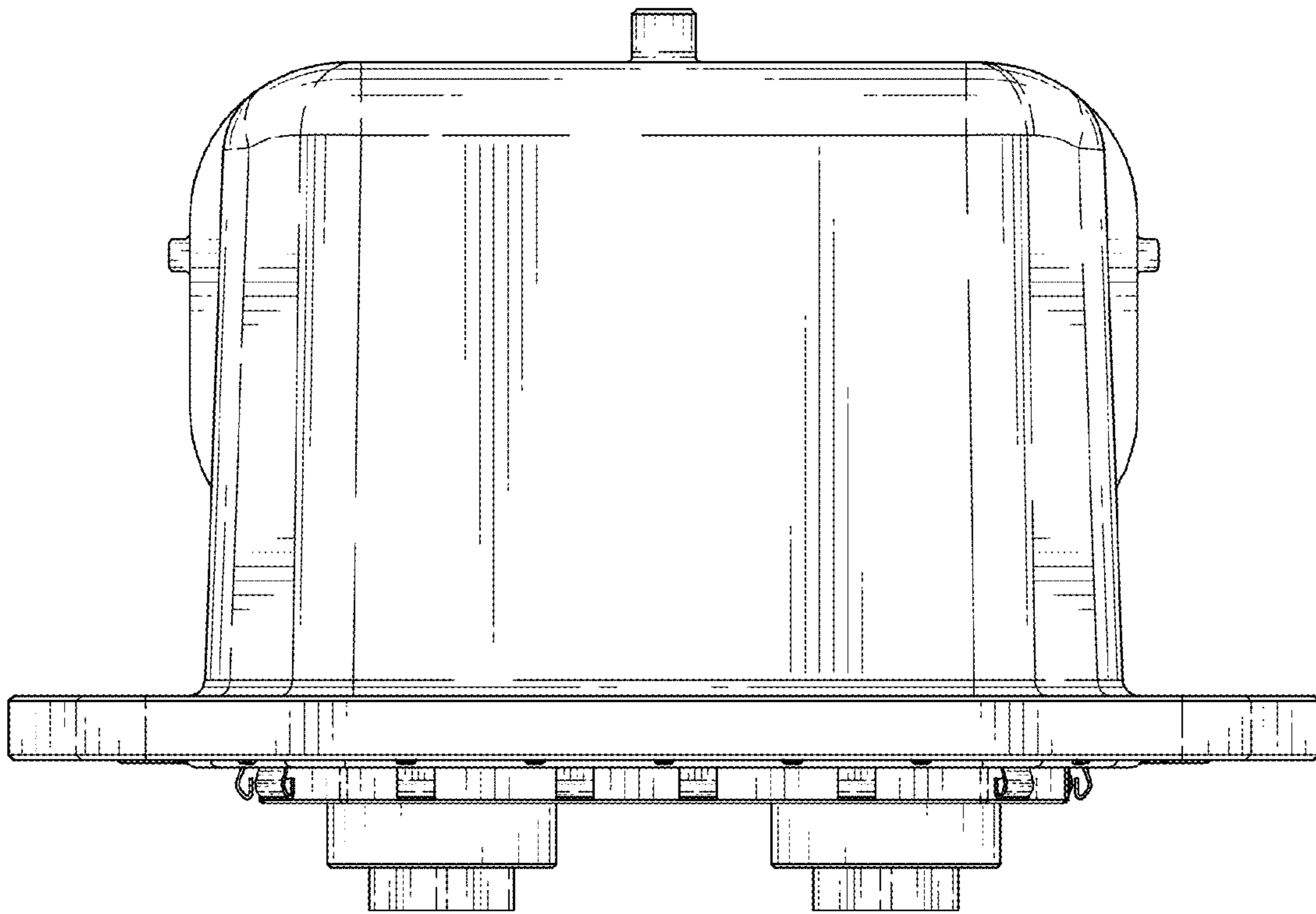


FIG. 5

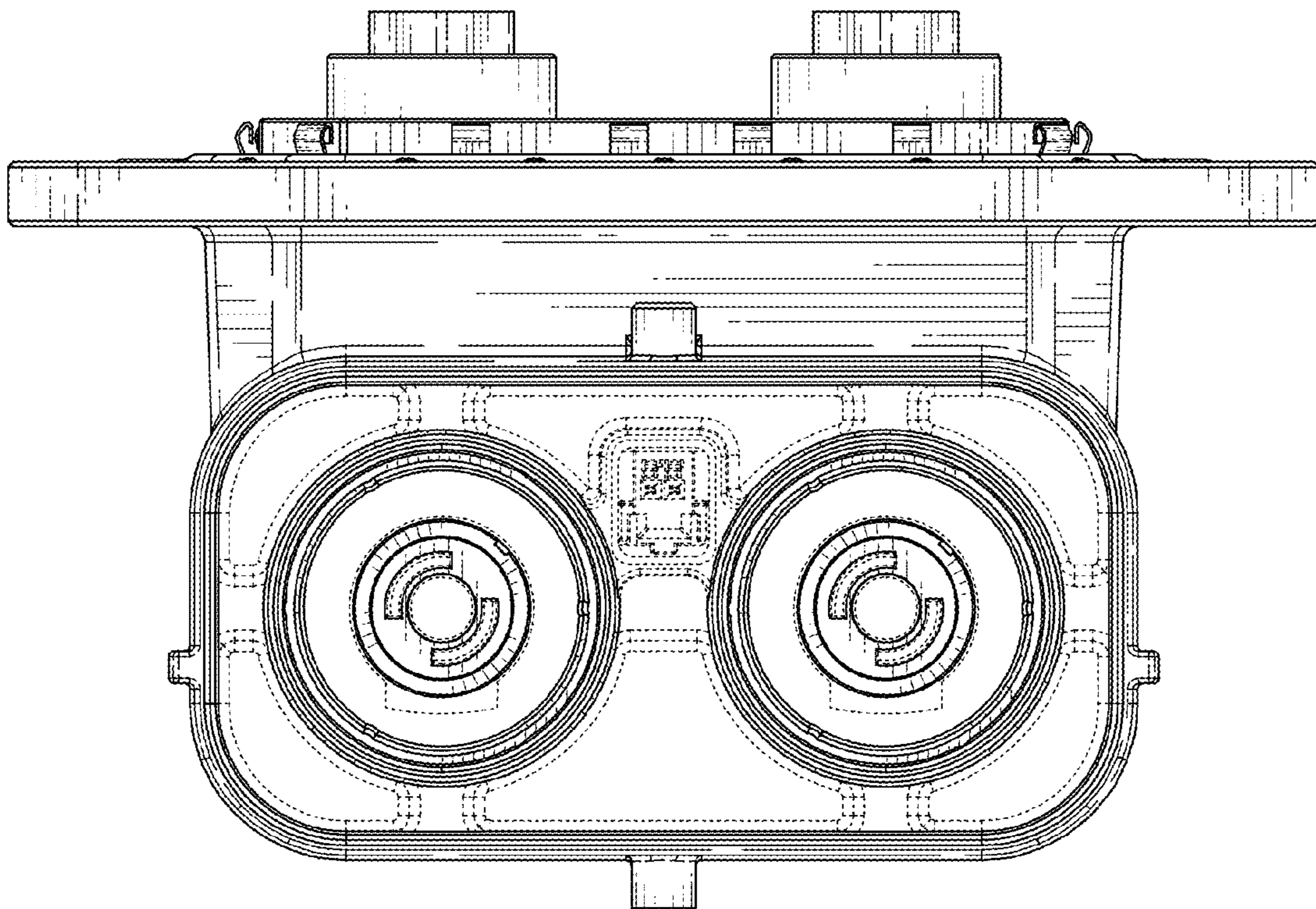


FIG. 6

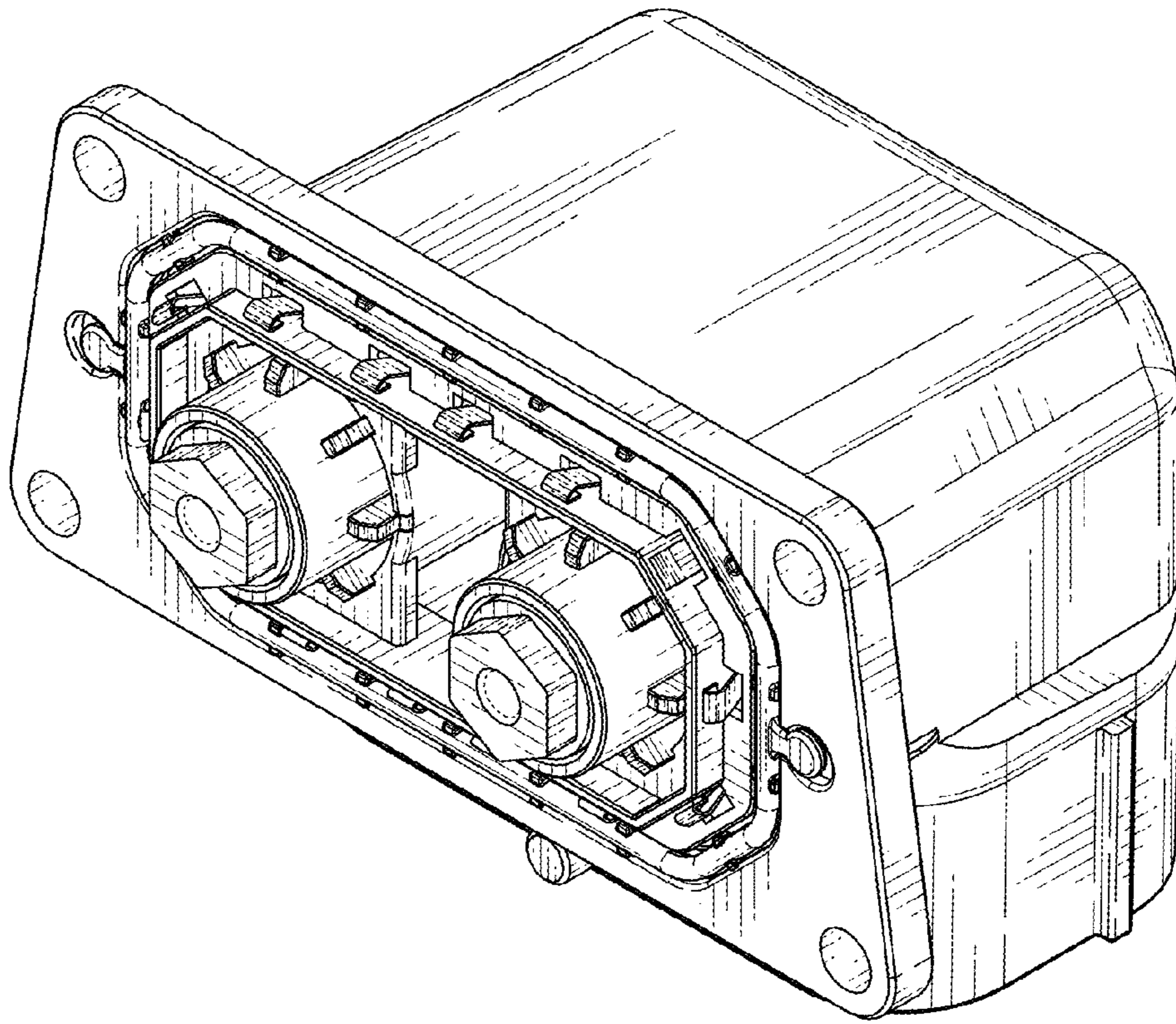


FIG. 7

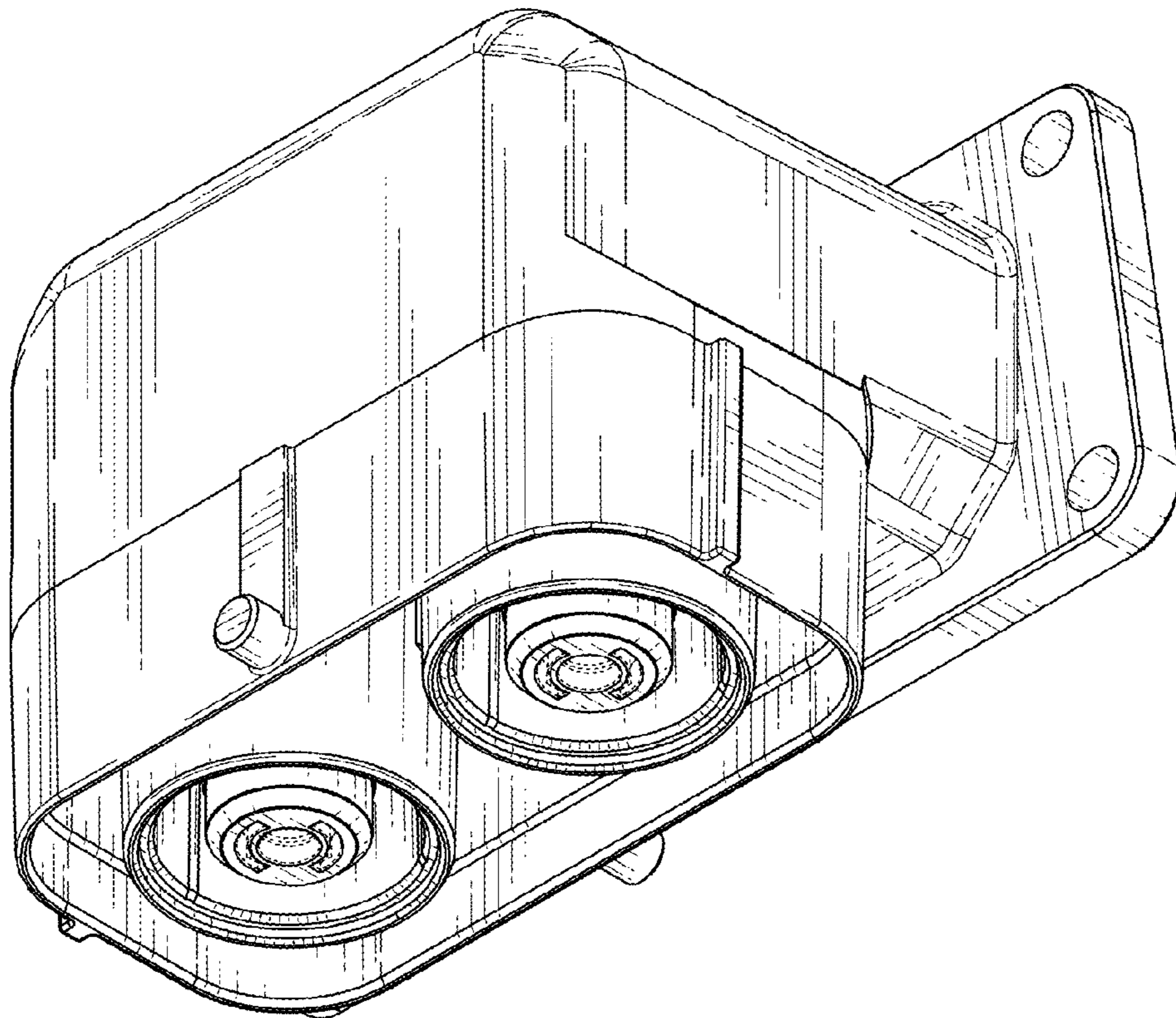


FIG. 8

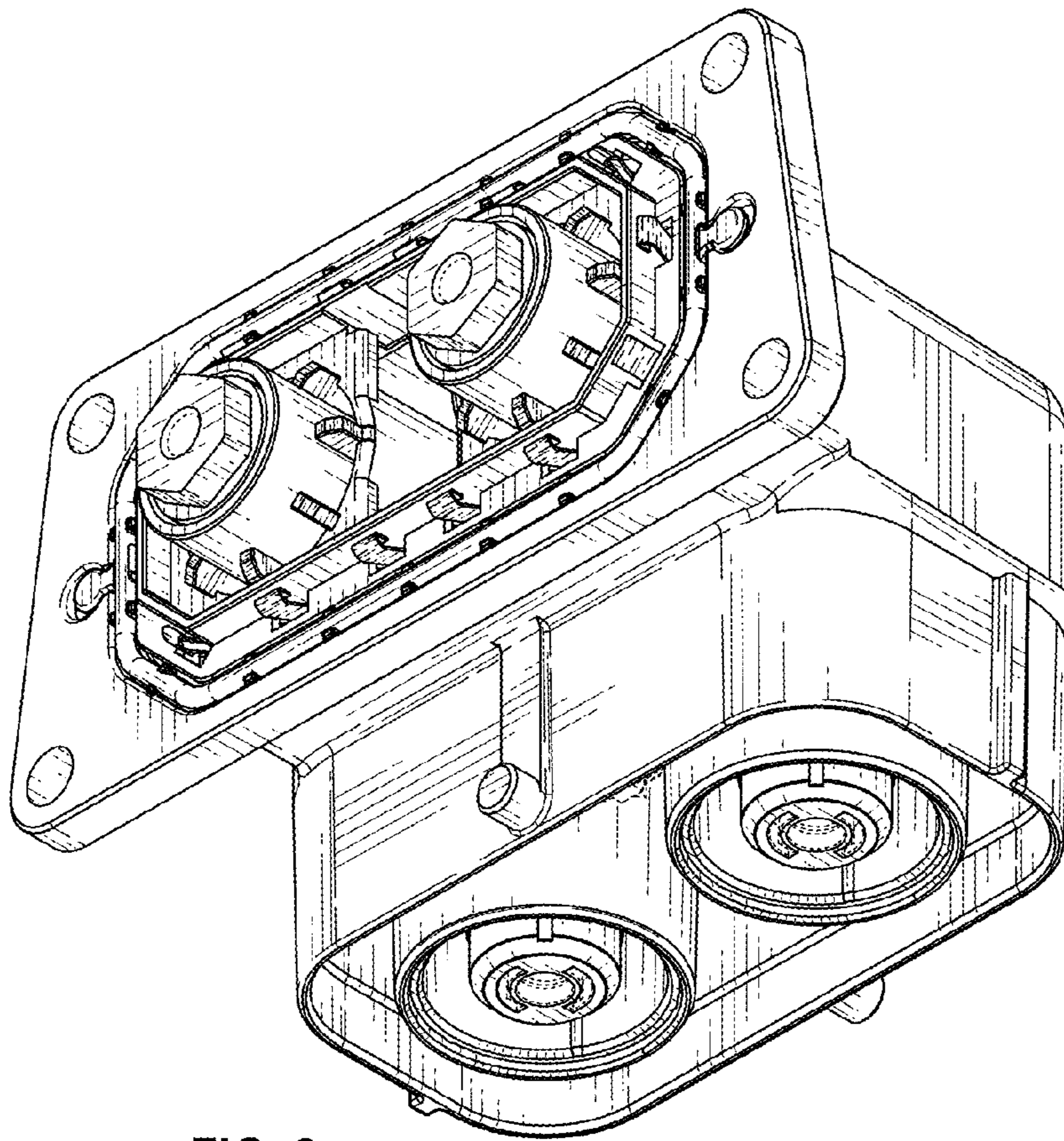


FIG. 9

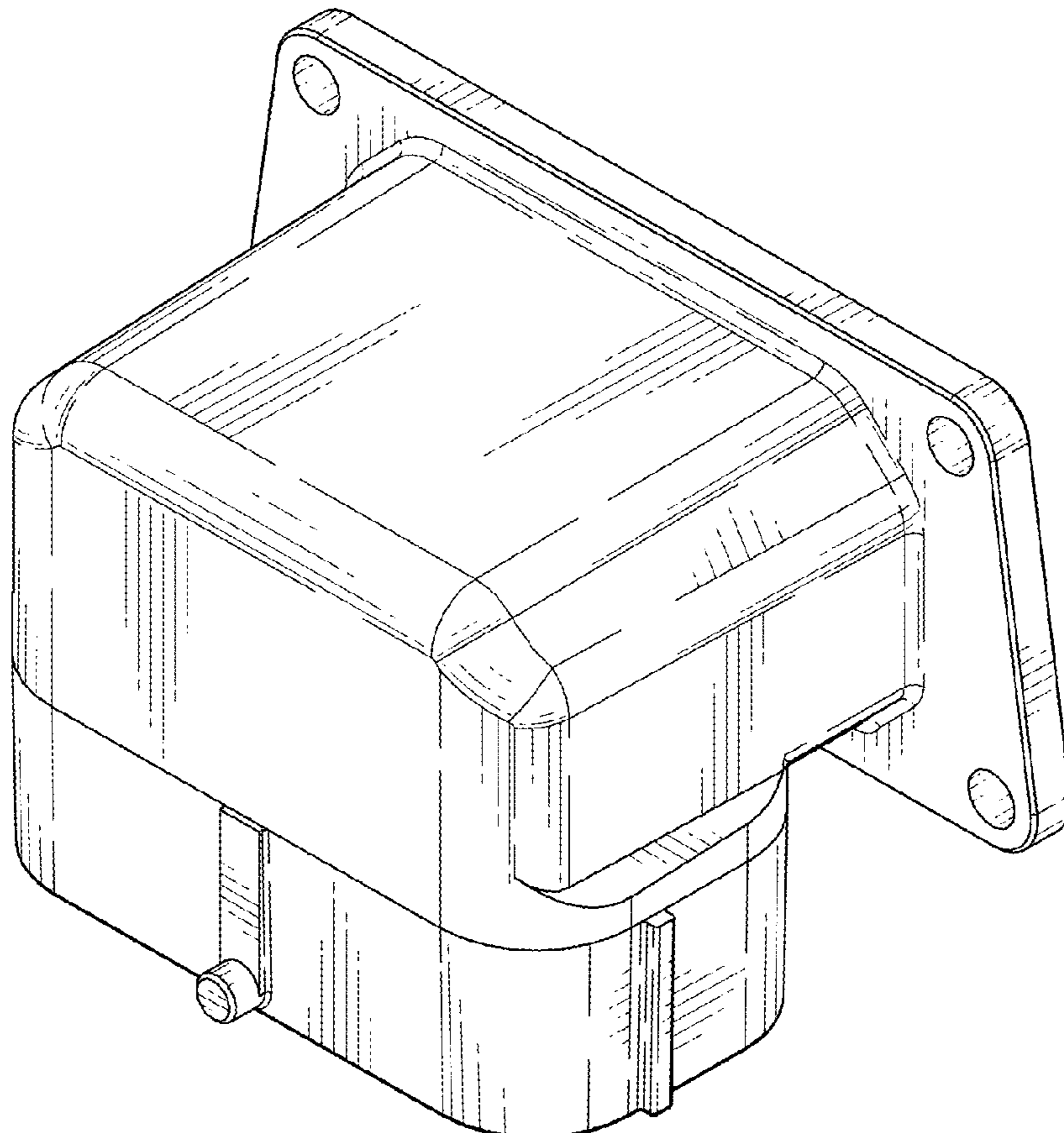


FIG. 10