



US00D876355S

(12) **United States Design Patent** (10) **Patent No.:** **US D876,355 S**
Cai et al. (45) **Date of Patent:** **** Feb. 25, 2020**

(54) **ELECTRIC MOTOR PART**

H02K 7/1025; H02K 7/20918; H02K 3/04; H02K 3/24; H02K 3/47; H02K 1/278; H02K 17/165; F02B 63/04; F28D 15/0266; F28D 15/02; F28F 1/20

(71) Applicant: **SOMFY ACTIVITES SA**, Cluses (FR)

See application file for complete search history.

(72) Inventors: **Zhishan Cai**, Zhejiang Huzhou (CN);
Yanbo He, Zhejiang Huzhou (CN);
Binfeng Xu, Zhejiang Huzhou (CN);
Jiantao Yin, Zhejiang Huzhou (CN);
Yang Yu, Zhejiang Huzhou (CN)

(56) **References Cited**

U.S. PATENT DOCUMENTS

(73) Assignee: **SOMFY ACTIVITES SA**, Cluses (FR)

D554,586 S	*	11/2007	Vrielink	D13/112
D567,177 S	*	4/2008	Chan	D13/122
D642,200 S	*	7/2011	Jiang	D15/5
D682,783 S	*	5/2013	Chen	D13/112
D819,709 S	*	6/2018	Hunt	D15/138

(**) Term: **15 Years**

* cited by examiner

(21) Appl. No.: **29/615,262**

Primary Examiner — Derrick E Holland

(22) Filed: **Aug. 28, 2017**

(74) *Attorney, Agent, or Firm* — Stephen J. Weyer, Esq.;
Stites & Harbison, PLLC

Related U.S. Application Data

(62) Division of application No. 35/501,000, filed on Nov. 24, 2015 (U.S. filing date under 35 U.S.C. 384), and having an international filing date of Nov. 24, 2015, now Pat. No. Des. 824,852.

(57) **CLAIM**

The ornamental design for an electric motor part, as shown and described.

(30) **Foreign Application Priority Data**

DESCRIPTION

Nov. 24, 2015 (WO) DM/088437

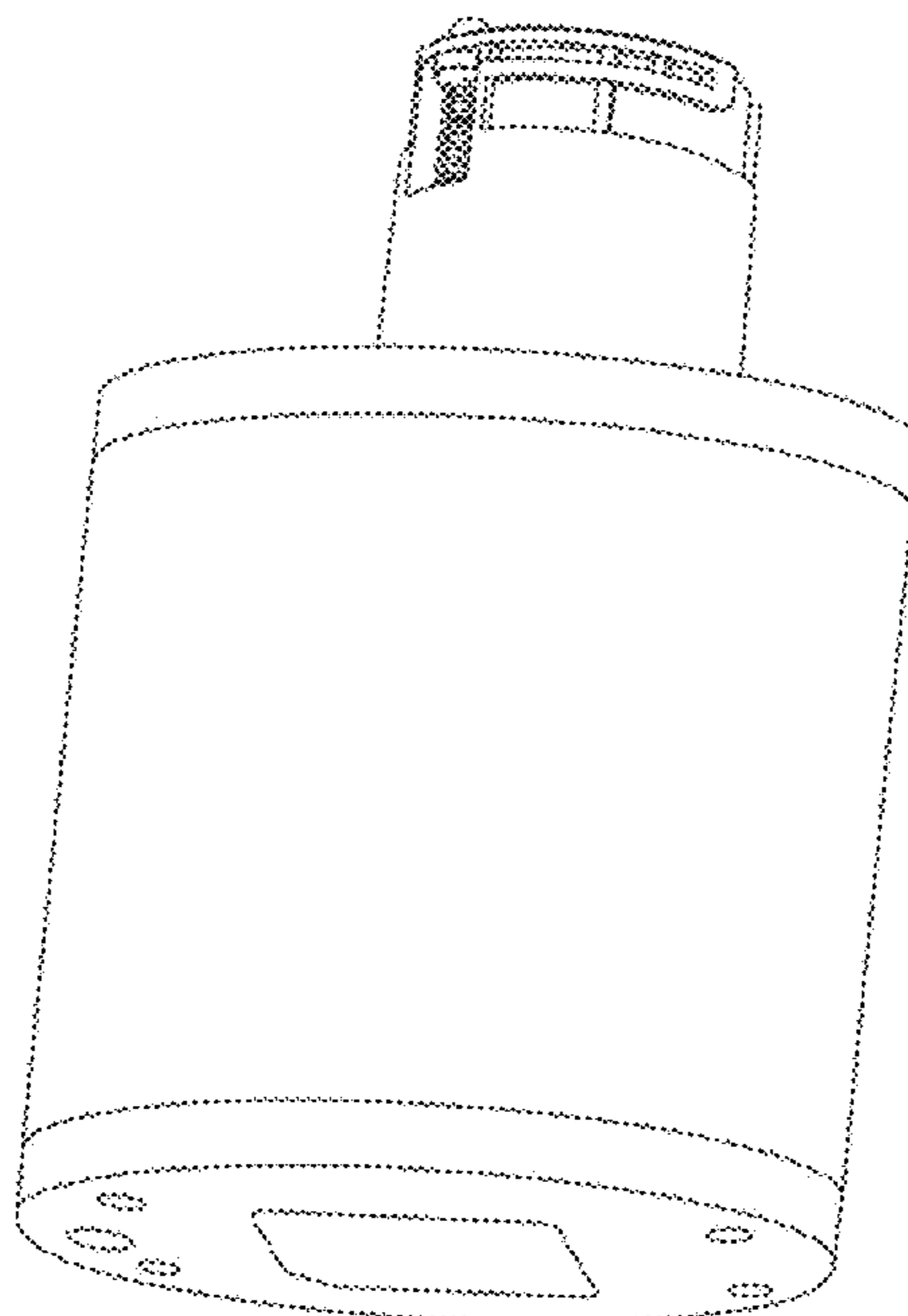
(51) **LOC (12) Cl.** **13-01**

(52) **U.S. Cl.**
USPC **D13/122**

(58) **Field of Classification Search**
USPC D13/112, 113, 114, 118, 122, 184, 199;
D15/1, 5; 290/36 R, 38 R, 39; 310/10,
310/20, 40 R, 40 MM, 42, 68 D, 75 R,
310/80, 83, 88, 89, 98, 109, 114
CPC H02K 5/06; H02K 5/22; H02K 5/225;
H02K 11/33; H02K 9/06; H02K 9/12;
H02K 9/14; H02K 9/18; H02K 9/20;

FIG. 1 is a front, bottom and right side perspective view of an electric motor part in accordance with the present design. FIG. 2 is front elevation view thereof. FIG. 3 is a right side elevation view thereof. FIG. 4 is a rear elevation view thereof. FIG. 5 is a left side elevation view thereof. FIG. 6 is a bottom plan view thereof; and, FIG. 7 is an enlarged top plan view thereof. Elements drawn in broken lines in FIG. 7 represent aspects of the electric motor part which form no part of the claimed design.

1 Claim, 7 Drawing Sheets



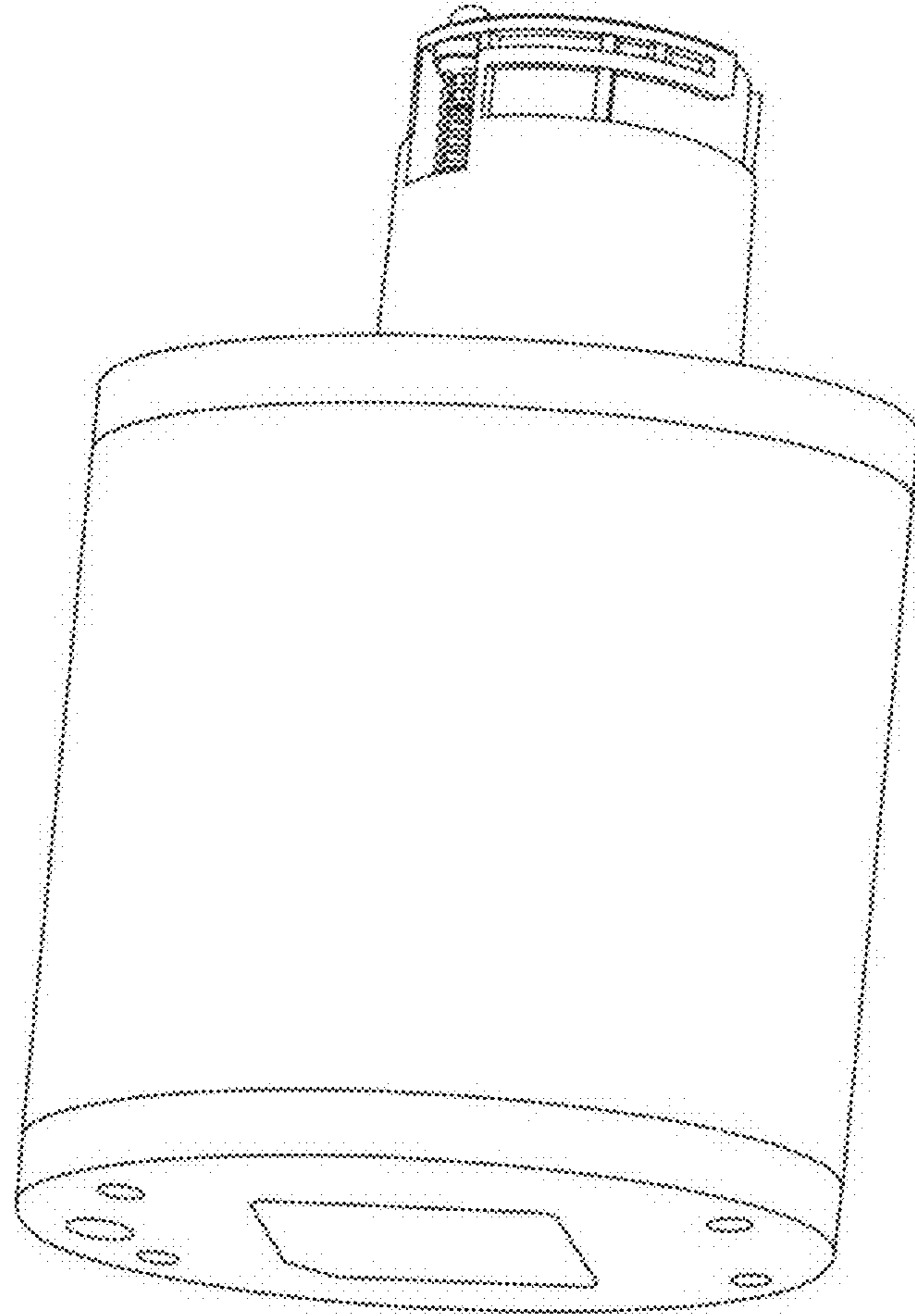


FIG. 1

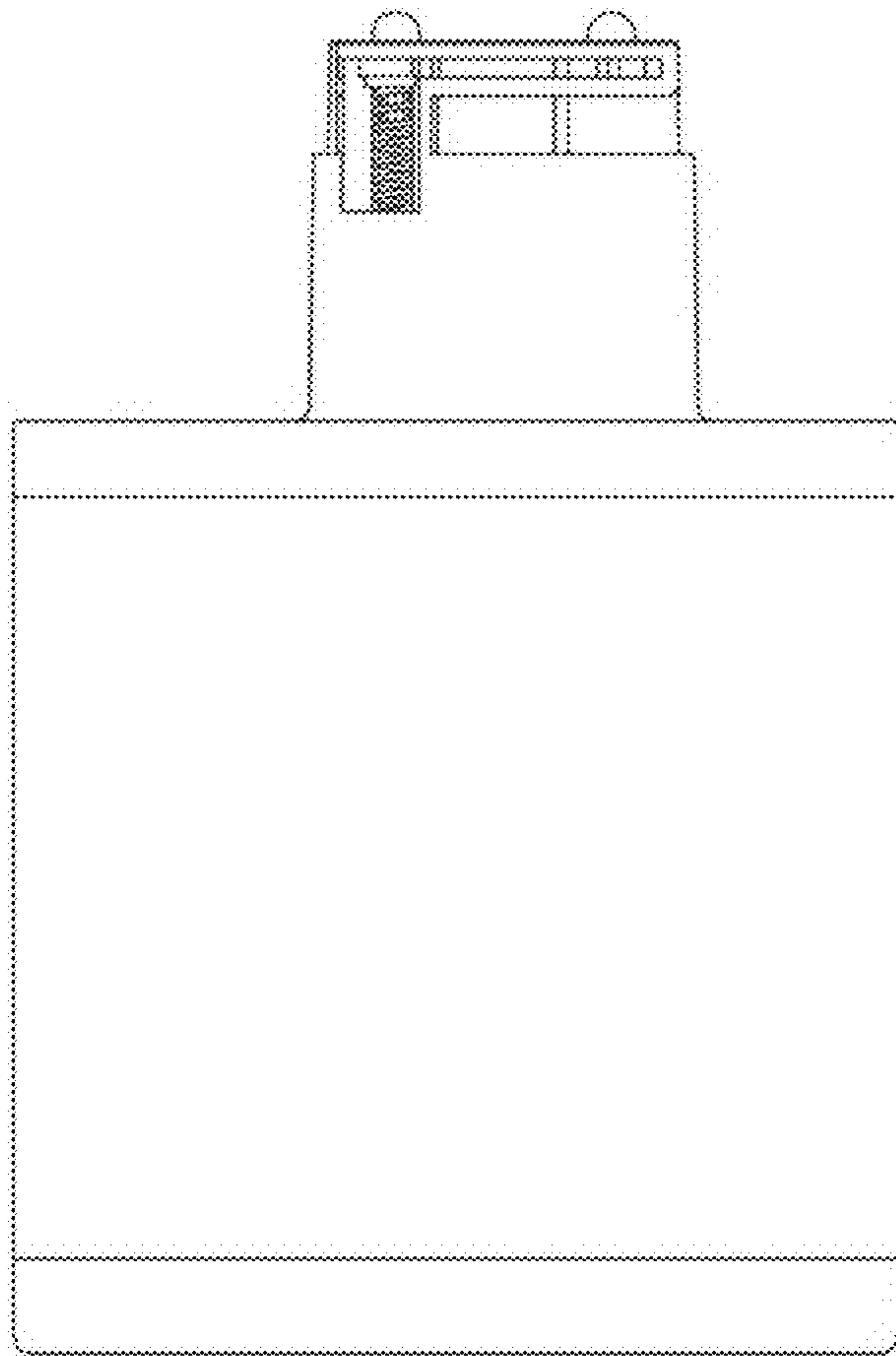


FIG. 2

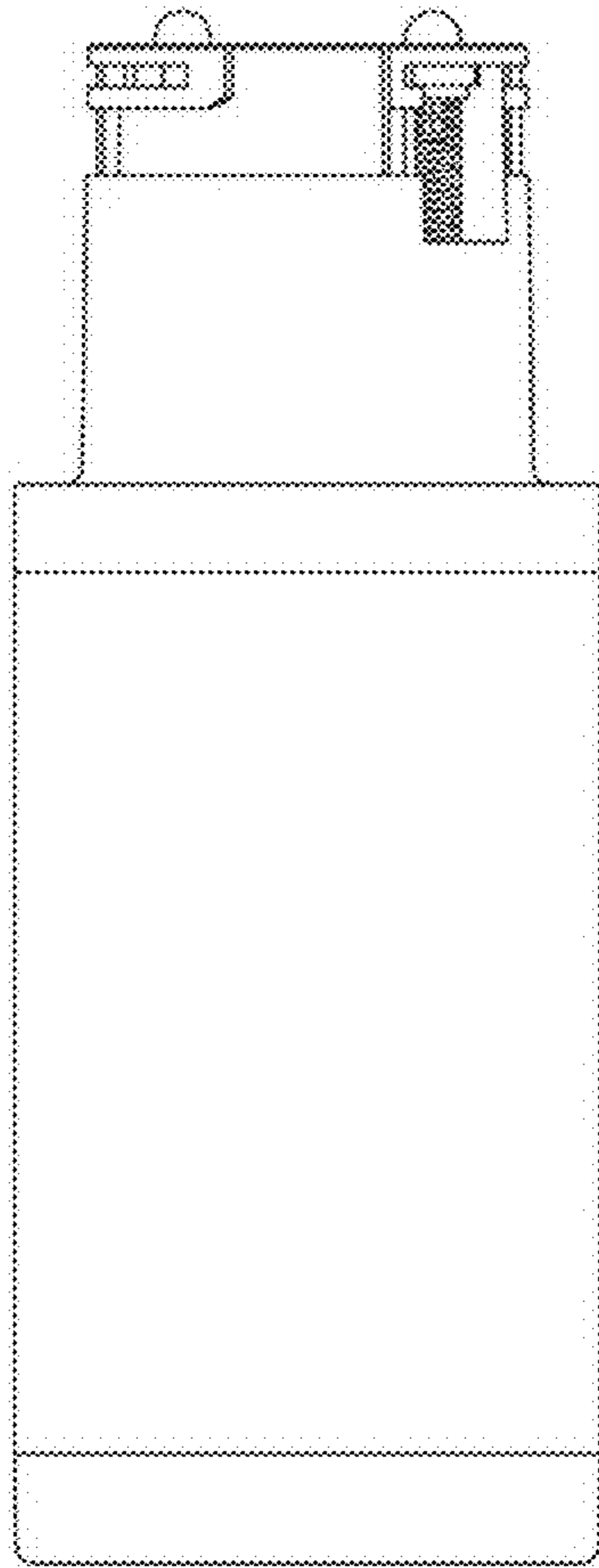


FIG. 3

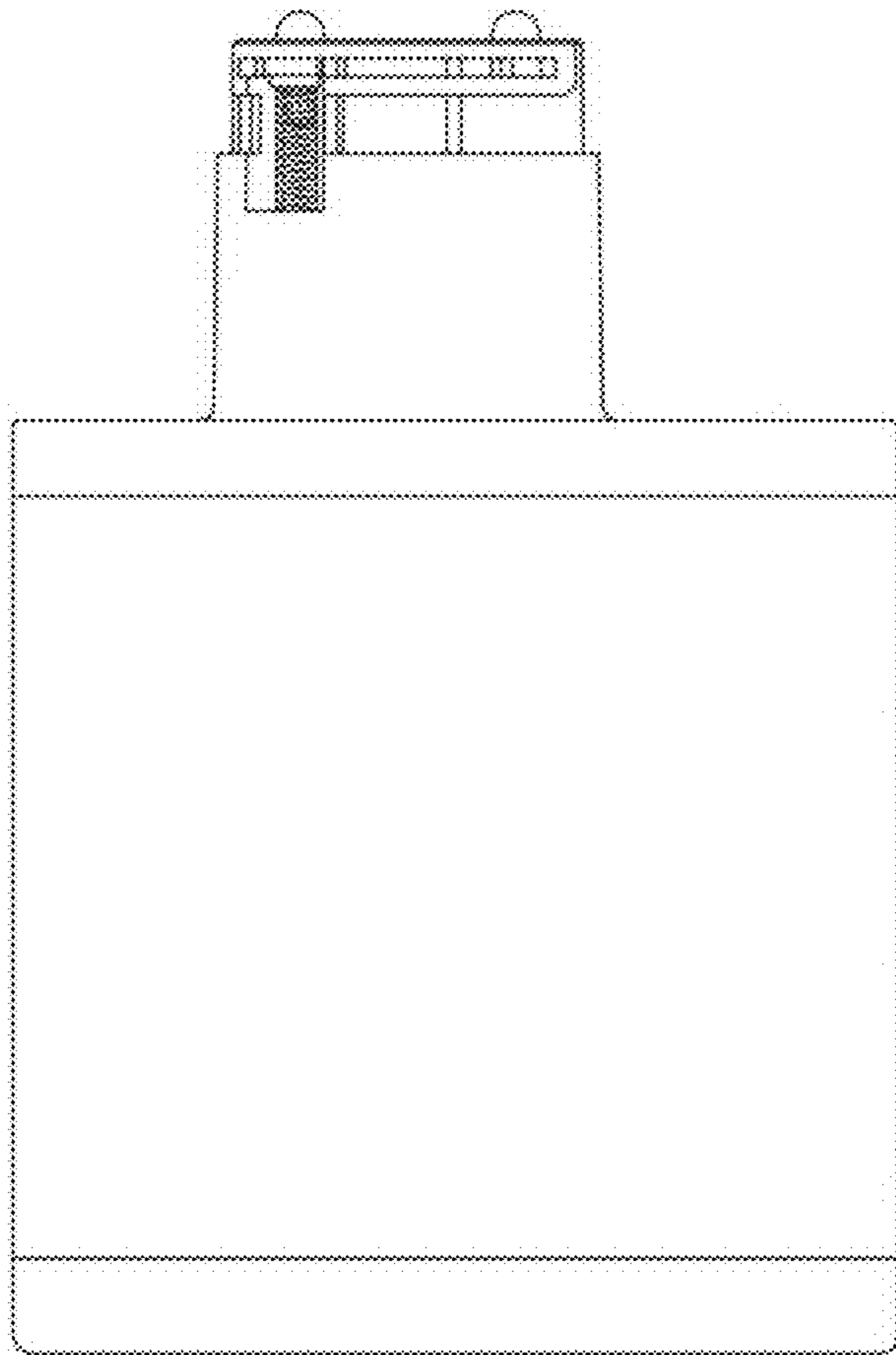


FIG. 4

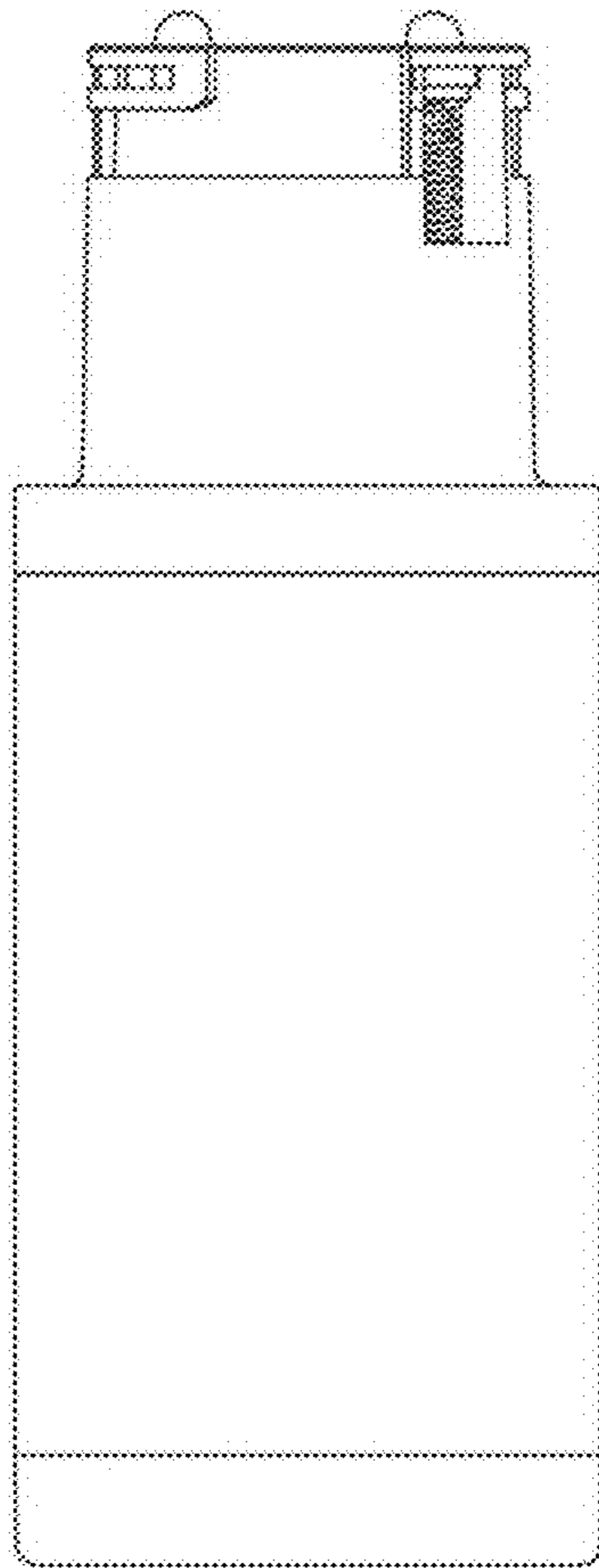


FIG. 5

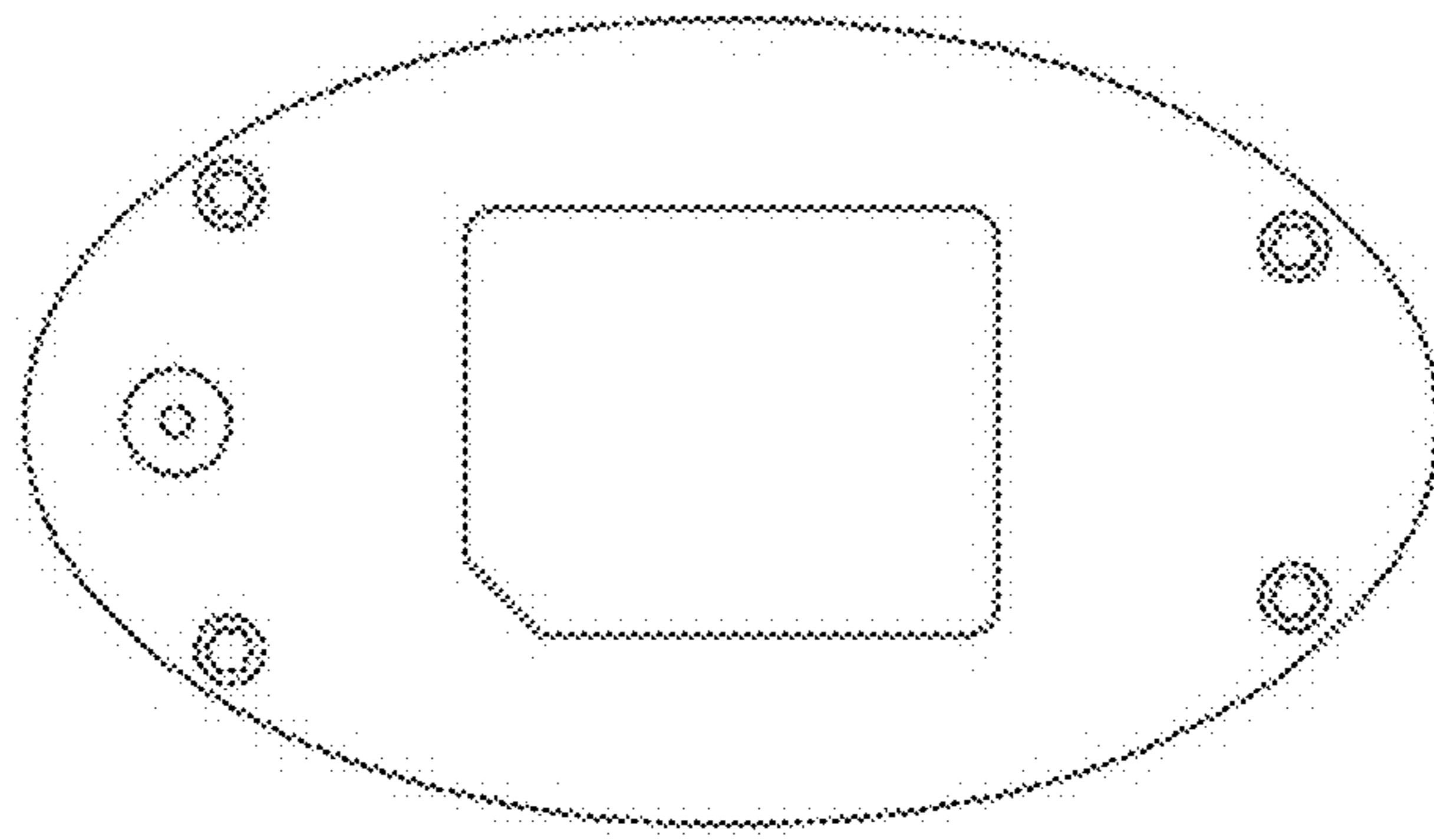


FIG. 6

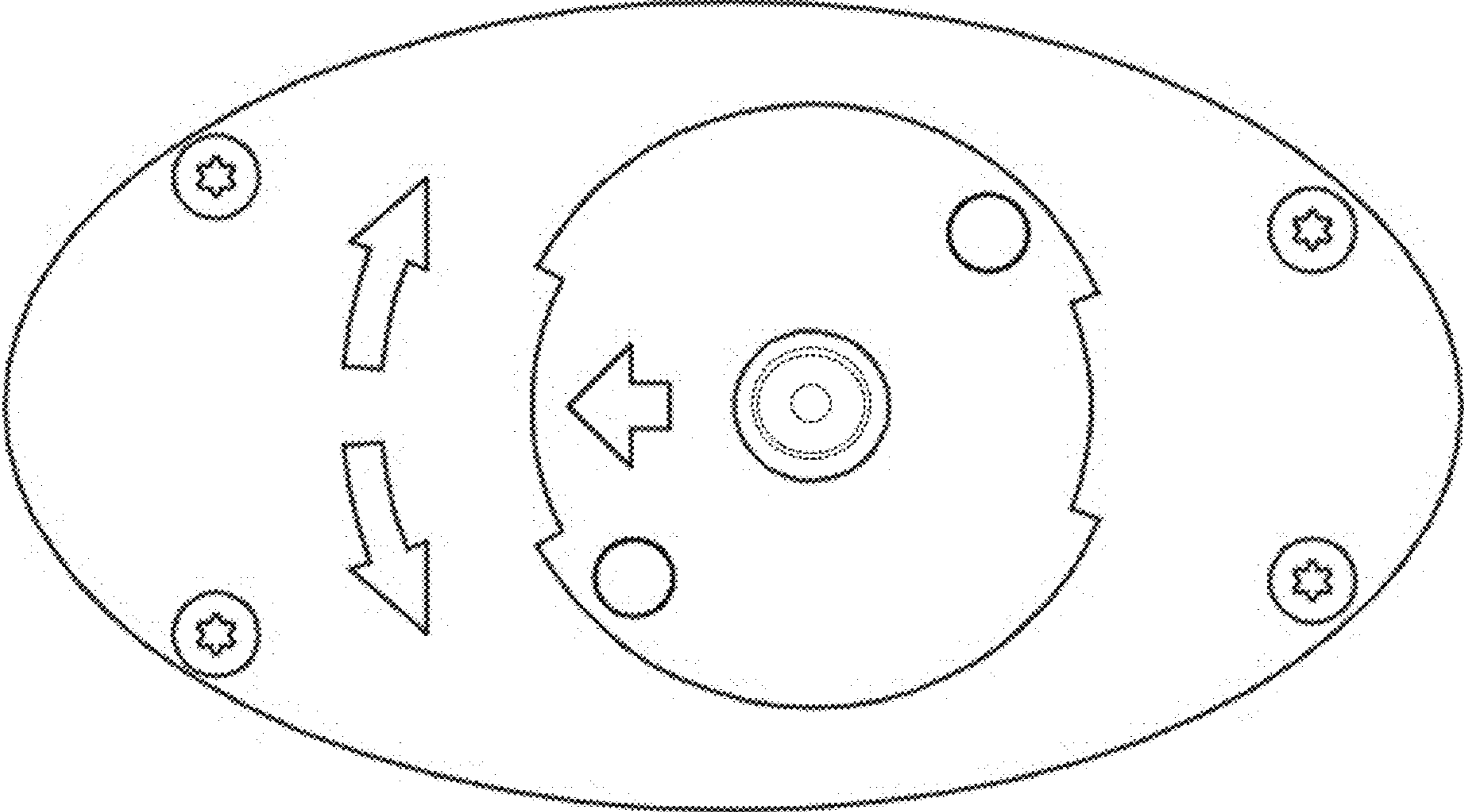


FIG. 7