



US00D876354S

(12) **United States Design Patent**  
**Wang**

(10) **Patent No.:** **US D876,354 S**

(45) **Date of Patent:** **\*\* Feb. 25, 2020**

(54) **CONNECTOR**

(71) Applicant: **EmCom Technology Inc.**, Taipei (TW)

(72) Inventor: **Chu-Li Wang**, Taipei (TW)

(73) Assignee: **EMCOM TECHNOLOGY INC.**,  
Taipei (TW)

(\*\*) Term: **15 Years**

(21) Appl. No.: **29/638,888**

(22) Filed: **Mar. 1, 2018**

(30) **Foreign Application Priority Data**

Sep. 1, 2017 (TW) ..... 106213048

(51) **LOC (12) Cl.** ..... **13-02**

(52) **U.S. Cl.**  
USPC ..... **D13/120**

(58) **Field of Classification Search**  
USPC ..... D13/119, 120, 133, 146, 149, 154, 199  
CPC ..... H01R 12/57; H01R 12/714; H01R 11/24;  
H01R 11/281; H01R 11/286  
See application file for complete search history.

(56) **References Cited**

**U.S. PATENT DOCUMENTS**

4,750,893 A \* 6/1988 Sueyoshi ..... H01R 13/42  
439/586  
D316,703 S \* 5/1991 Eto ..... D13/147  
D524,751 S \* 7/2006 Lee ..... D13/147  
D585,030 S \* 1/2009 Kudo ..... D13/133  
D585,831 S \* 2/2009 Kudo ..... D13/147

D748,580 S \* 2/2016 Endo ..... D13/146  
D791,706 S \* 7/2017 Li ..... D13/147  
D791,707 S \* 7/2017 Li ..... D13/147  
D803,161 S \* 11/2017 Li ..... D13/147  
2016/0197461 A1 \* 7/2016 Kitamura ..... H01R 24/20  
174/72 A

\* cited by examiner

*Primary Examiner* — Derrick E Holland

*Assistant Examiner* — Jennifer O King

(74) *Attorney, Agent, or Firm* — Muncy, Geissler, Olds &  
Lowe, PC

(57) **CLAIM**

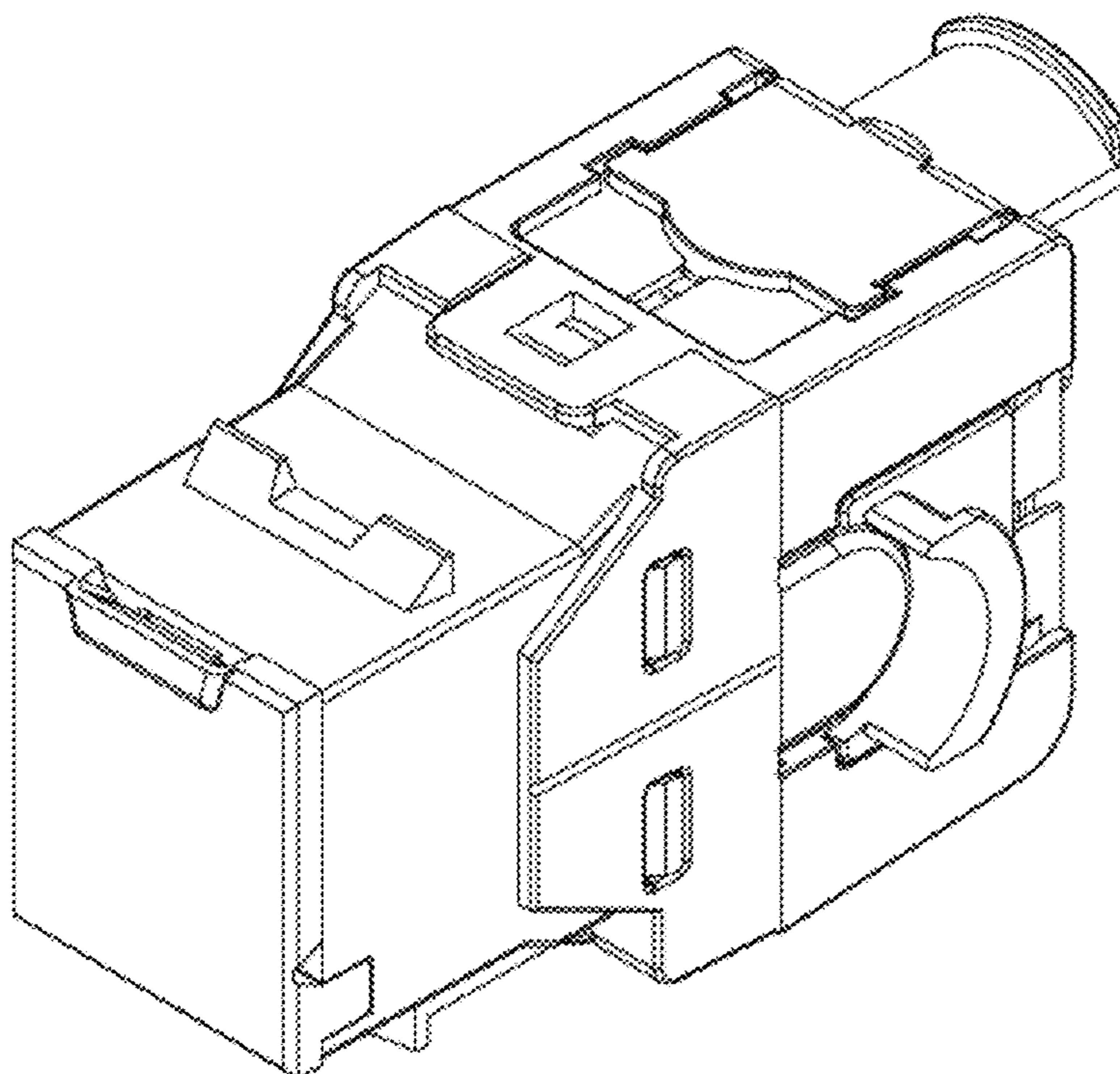
The ornamental design for a connector, as shown and described.

**DESCRIPTION**

FIG. 1 is a front perspective view of a connector showing my new design;  
FIG. 2 is a rear perspective view of a connector showing my new design;  
FIG. 3 is a front elevational view thereof;  
FIG. 4 is a rear elevational view thereof;  
FIG. 5 is a left side elevational view thereof;  
FIG. 6 is a right side elevational view thereof;  
FIG. 7 is a top plan view thereof;  
FIG. 8 is a bottom plan view thereof; and,  
FIGS. 9 and 10 are perspective views of the connector, shown in an environment of use.

The broken lines shown represent portions of the connector that form no part of the claimed design.

**1 Claim, 10 Drawing Sheets**



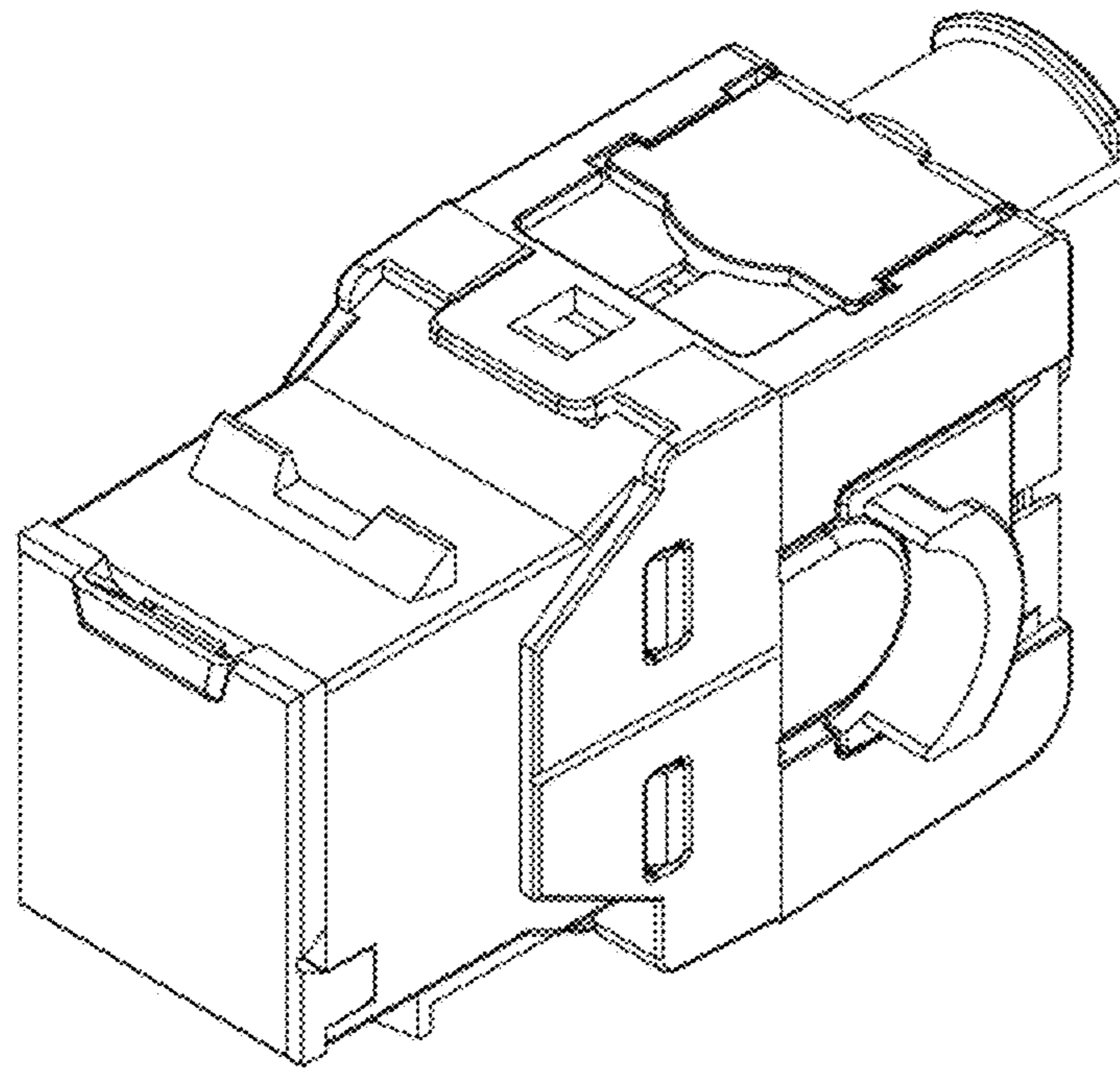


FIG. 1

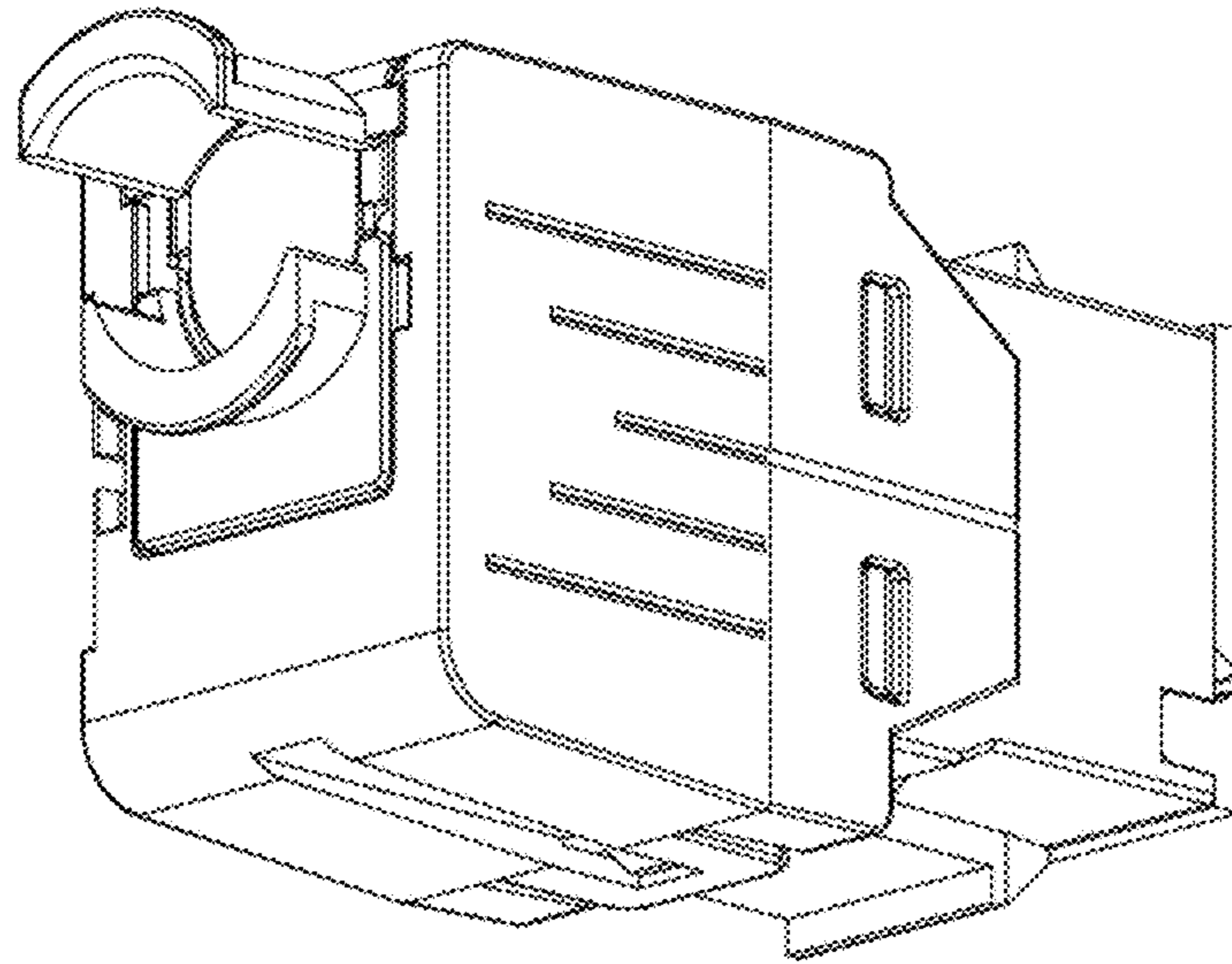


FIG. 2



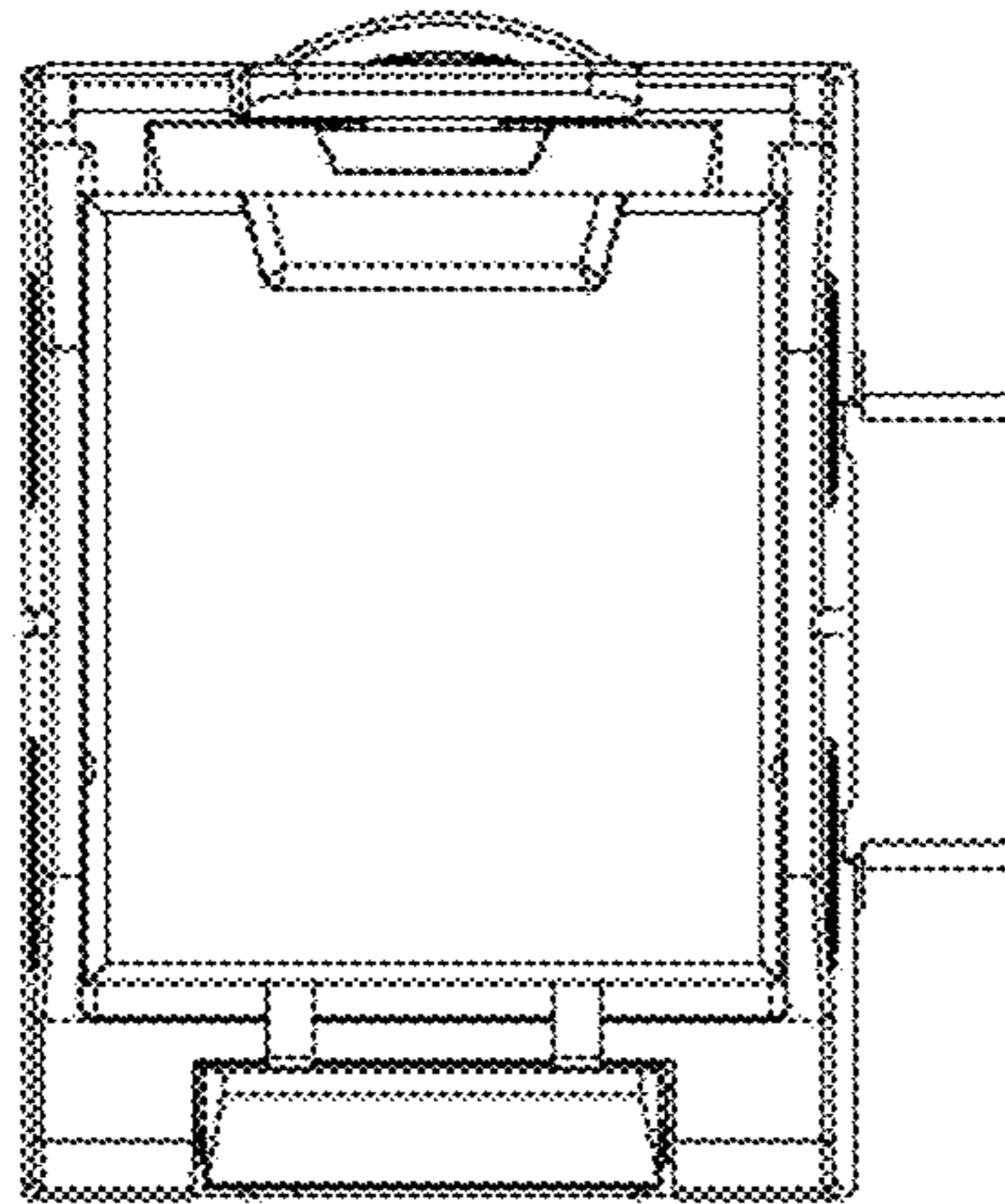


FIG. 3

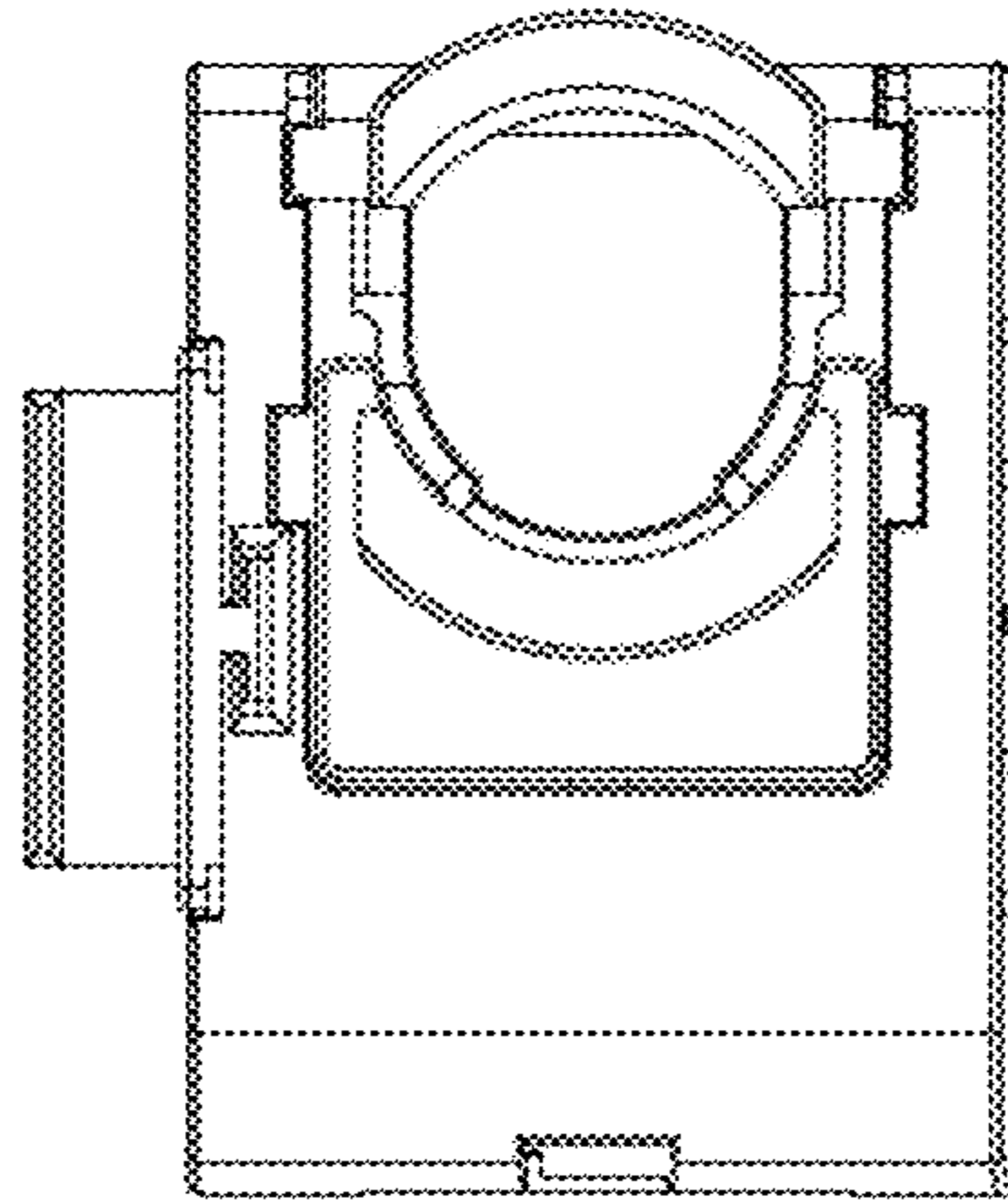


FIG. 4

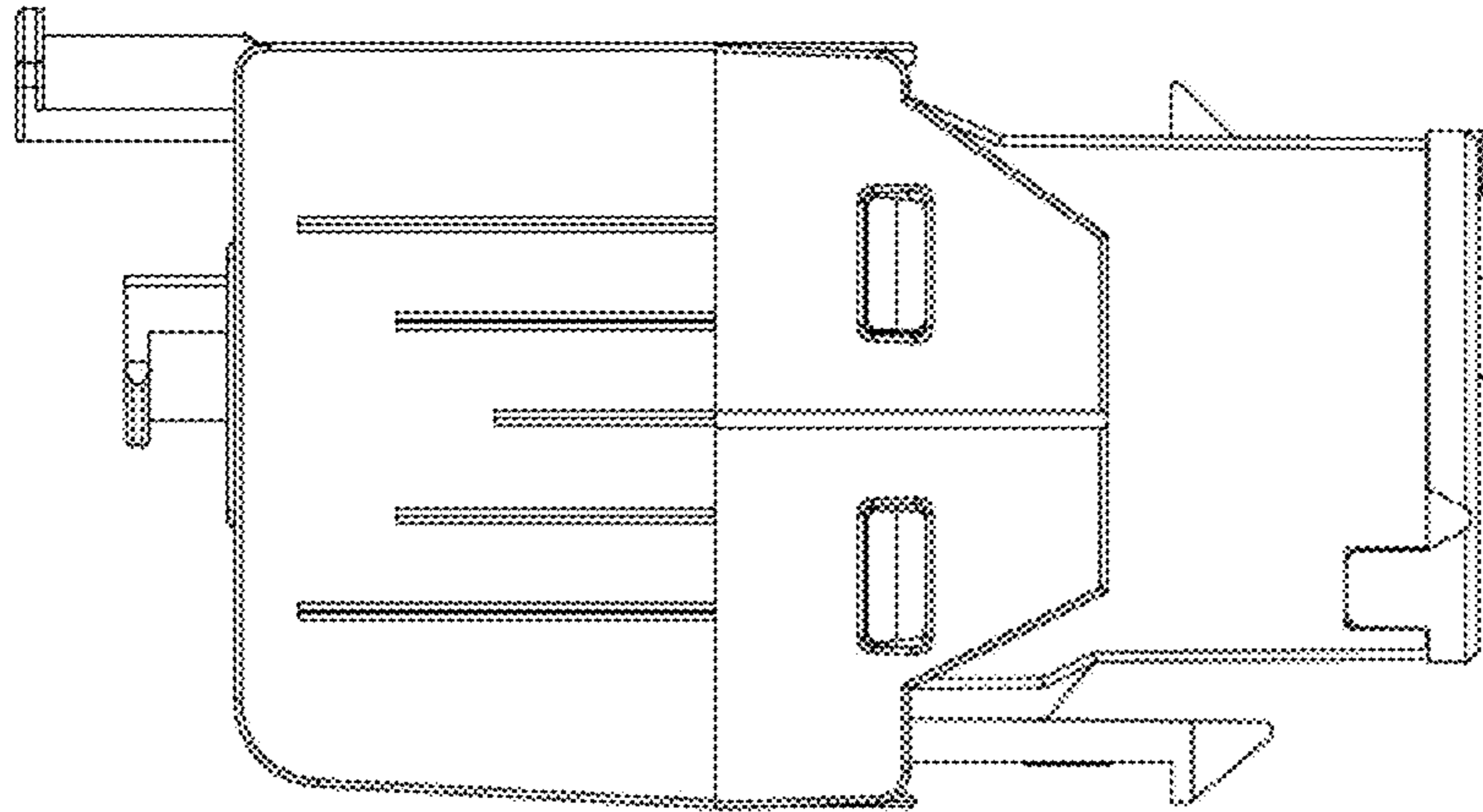


FIG. 5

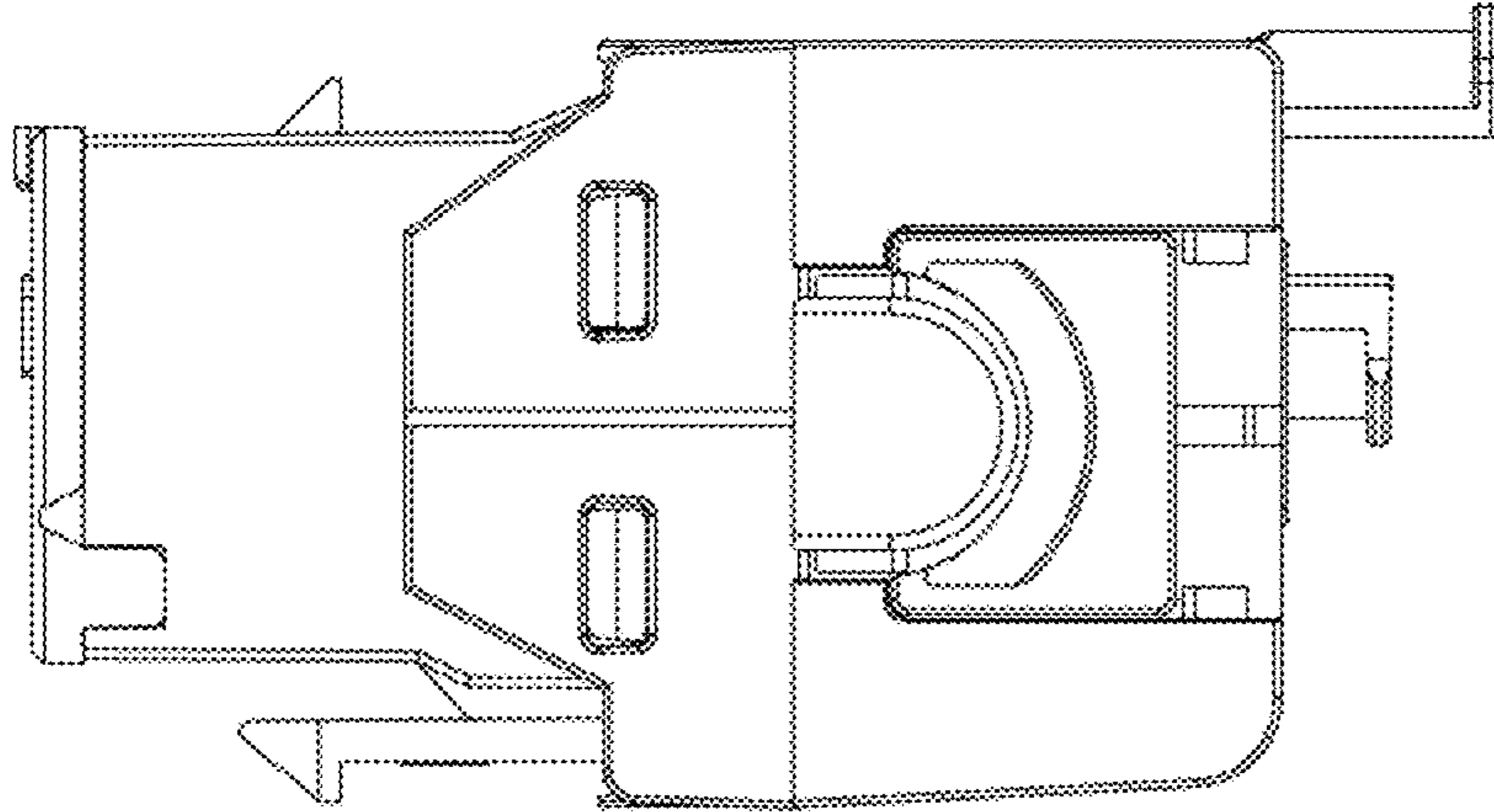


FIG. 6

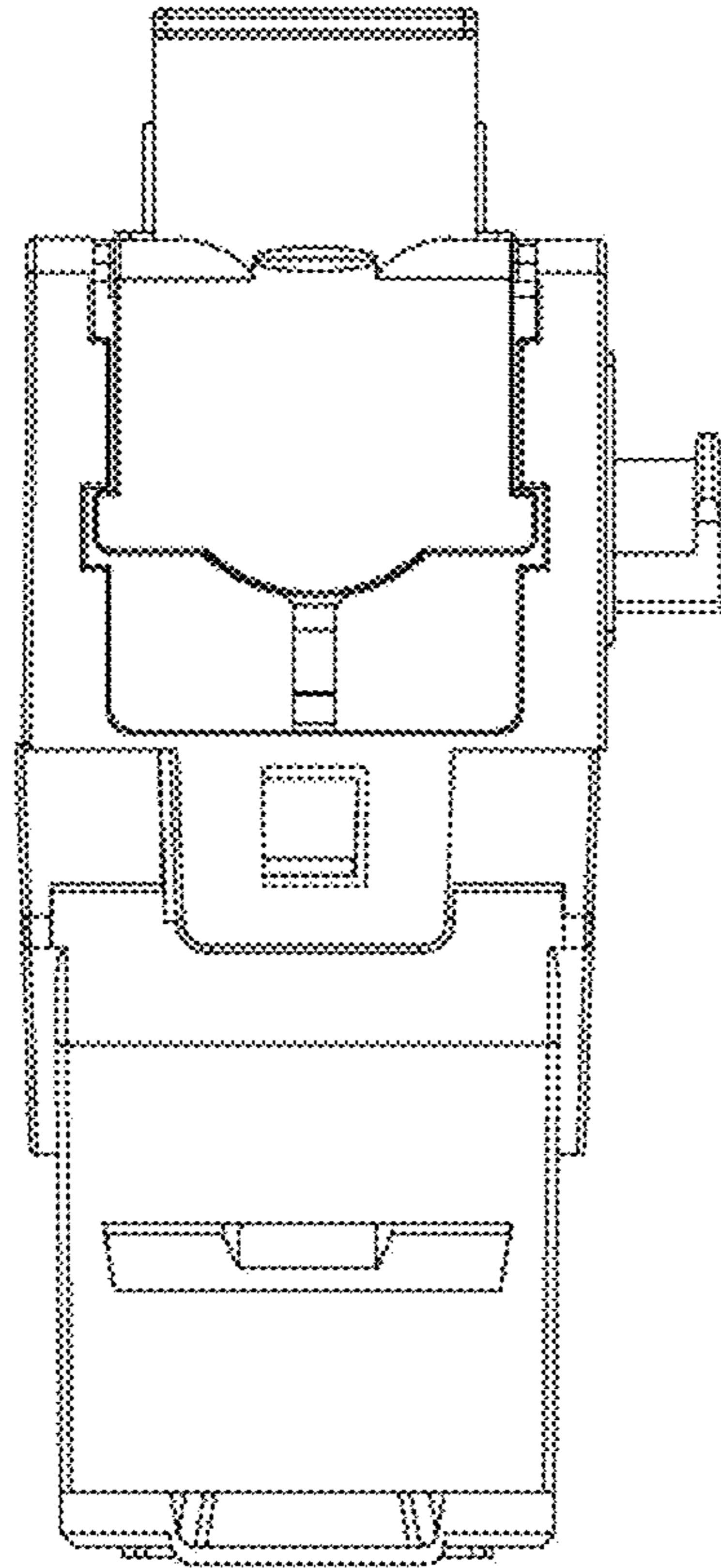


FIG. 7



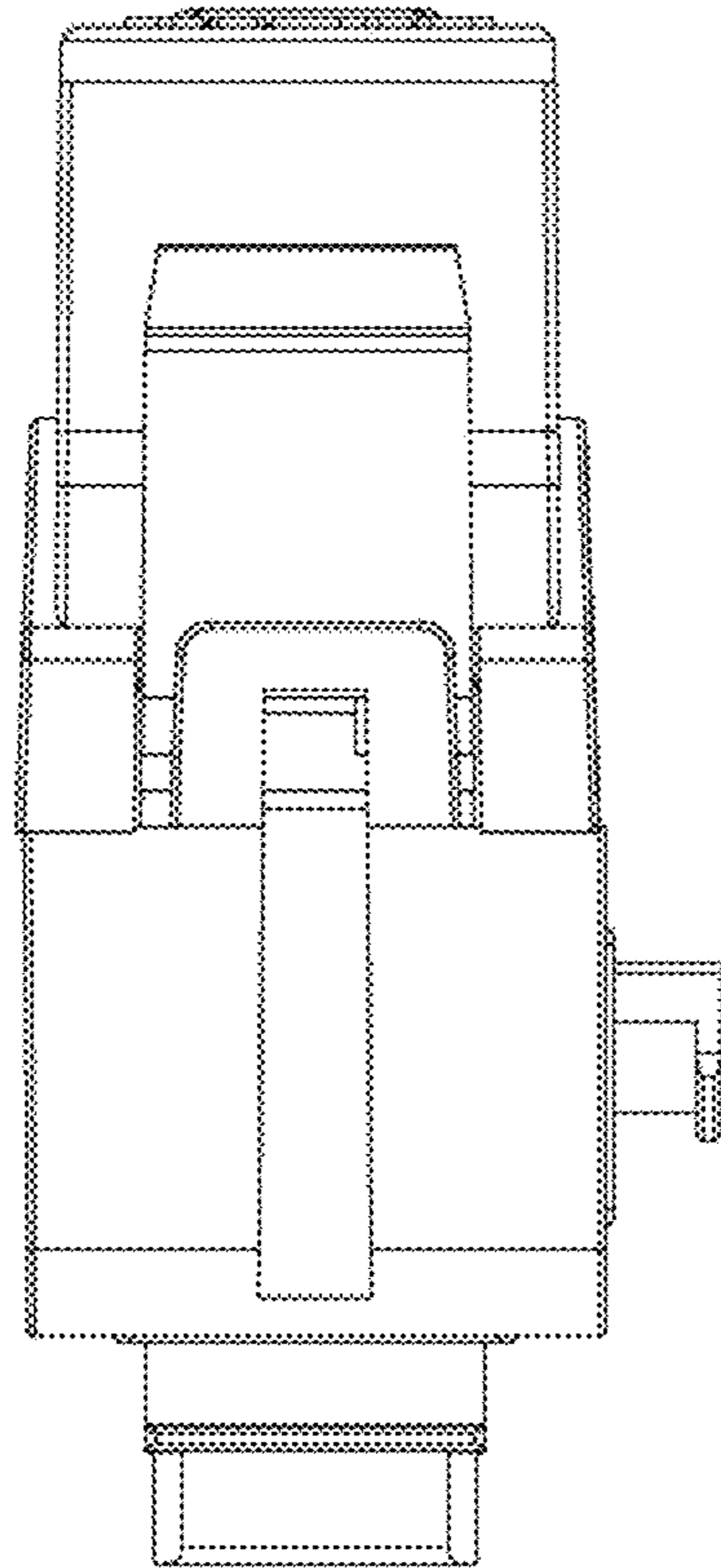


FIG. 8

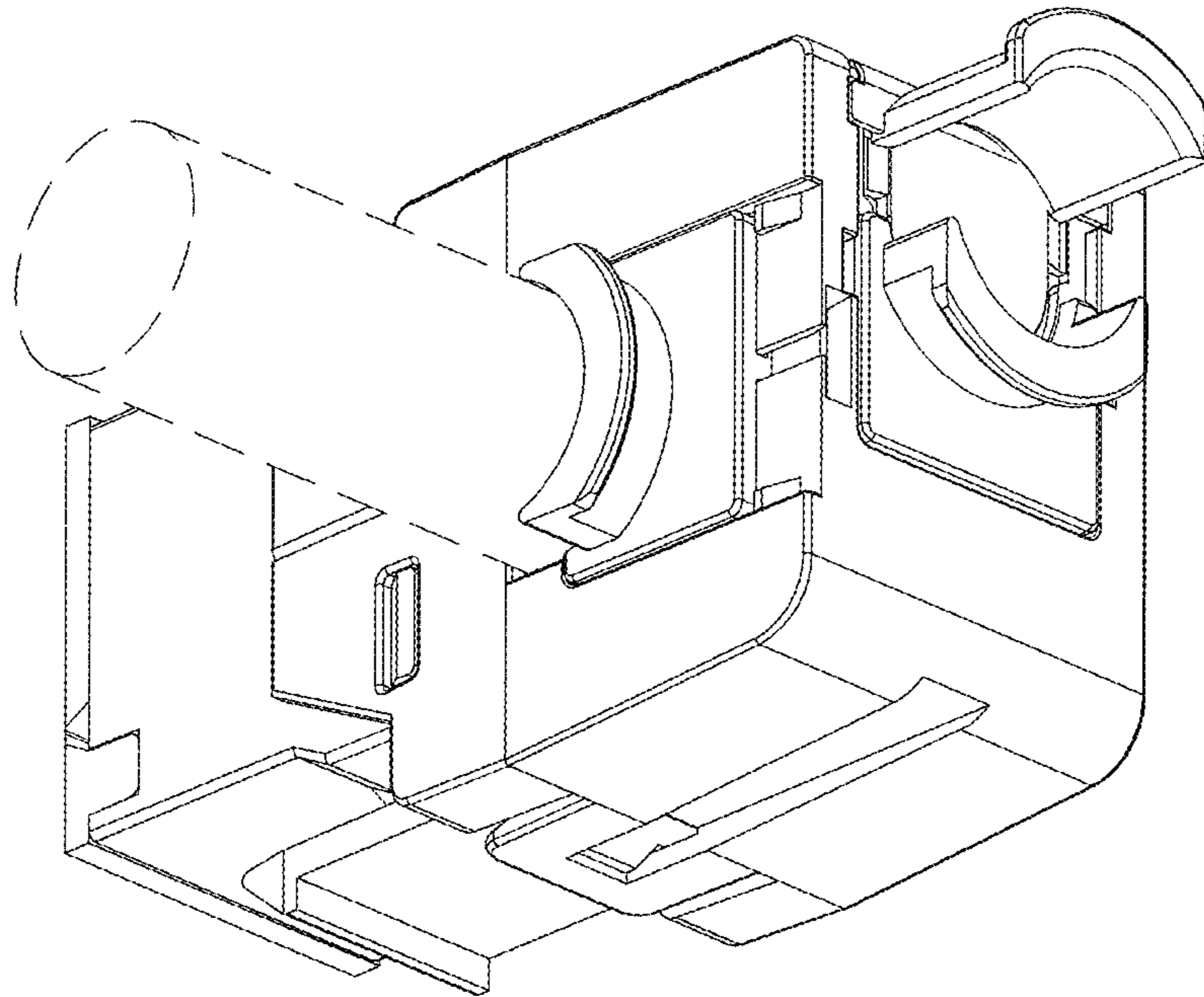


FIG. 9

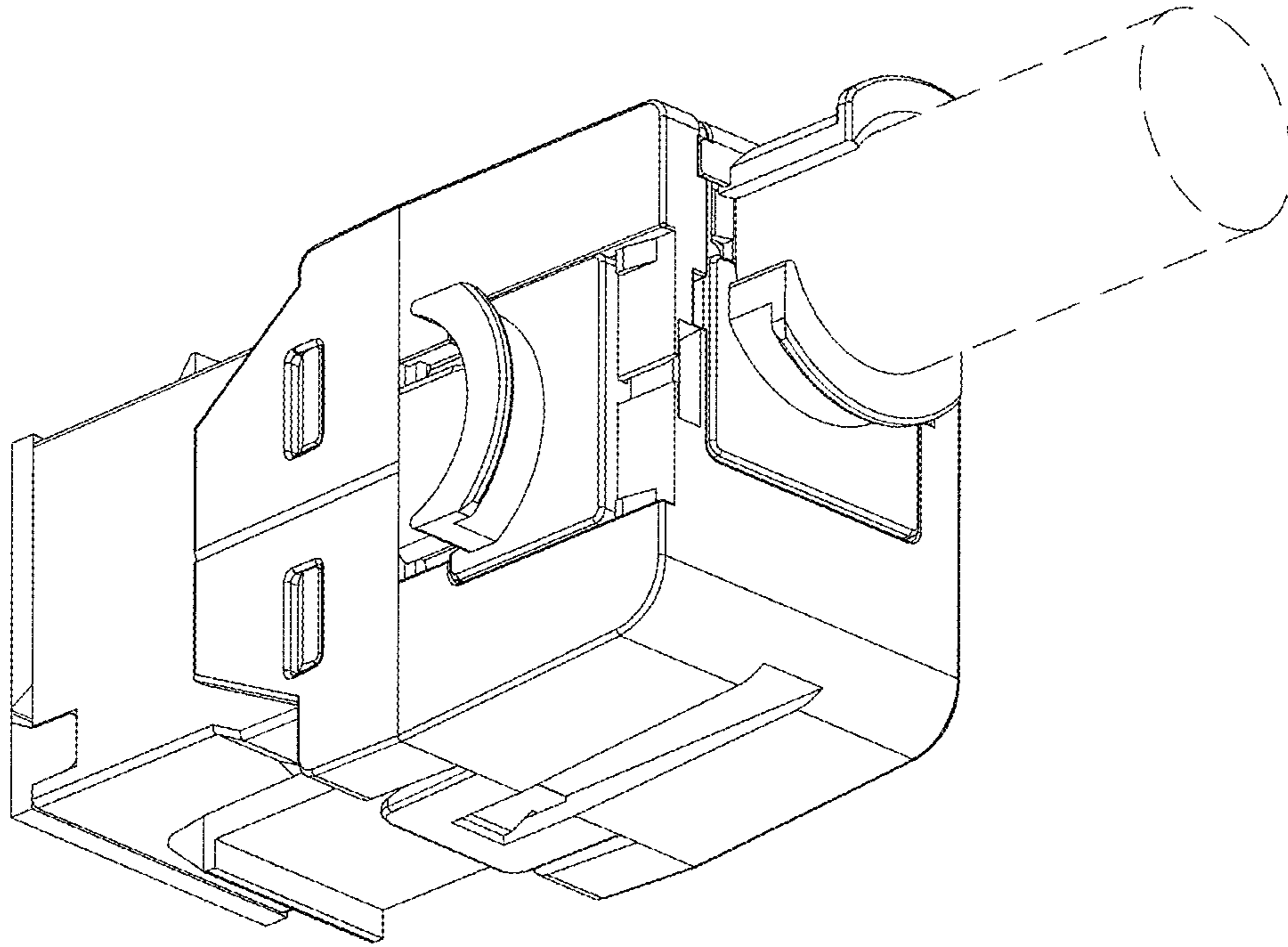


FIG. 10