



US00D876348S

(12) **United States Design Patent**  
**Wang**

(10) **Patent No.:** **US D876,348 S**

(45) **Date of Patent:** **\*\* Feb. 25, 2020**

(54) **CAR WIRELESS CHARGER**

(71) Applicant: **Tuo Wang**, Guangdong (CN)

(72) Inventor: **Tuo Wang**, Guangdong (CN)

(\*\*) Term: **15 Years**

(21) Appl. No.: **29/672,058**

(22) Filed: **Dec. 3, 2018**

(30) **Foreign Application Priority Data**

Jun. 21, 2018 (CN) ..... 2018 3 0322274

(51) **LOC (12) Cl.** ..... **13-02**

(52) **U.S. Cl.**  
USPC ..... **D13/108**

(58) **Field of Classification Search**  
USPC ..... D13/103-110, 118, 119, 184, 199;  
D14/251, 253, 432, 434

CPC ..... Y02E 60/10; Y02E 60/12; Y02E 60/122;  
Y02E 60/124; Y02E 60/50; H01M 2/02;  
H01M 2/022; H01M 2/0202; H01M  
2/0207; H01M 2/0212; H01M 2/1061;  
H01M 2/1022; H01M 2/1055; H01M  
2/1066; H01M 2/105; H01M 2/20; H01M  
2/202; H01M 2/204; H01M 2/206; H01M  
10/44; H01M 10/46; H01M 10/465;  
H01M 10/482; H01M 2200/30; H01M  
2250/30; H01M 2250/40; H02J 7/00;  
H02J 7/0003; H02J 7/0011; H02J 7/0013;  
H02J 7/0054; H02J 7/0055; H02J 7/0057;  
H02J 2007/0062

See application file for complete search history.

(56) **References Cited**

U.S. PATENT DOCUMENTS

D632,649	S	*	2/2011	Scheucher	.....	D13/110
D784,923	S	*	4/2017	Song	.....	D13/108
D806,649	S	*	1/2018	Chang	.....	D13/108
D832,247	S	*	10/2018	Sukphist	.....	D14/253
D832,248	S	*	10/2018	Sukphist	.....	D14/253
10,389,160	B2	*	8/2019	Miller	.....	H02J 7/025
D862,454	S	*	10/2019	Chun	.....	D14/253
2019/0319318	A1	*	10/2019	Park	.....	H01M 10/6552

\* cited by examiner

*Primary Examiner* — Rosemary K Tarcza

*Assistant Examiner* — Christy M Nemeth

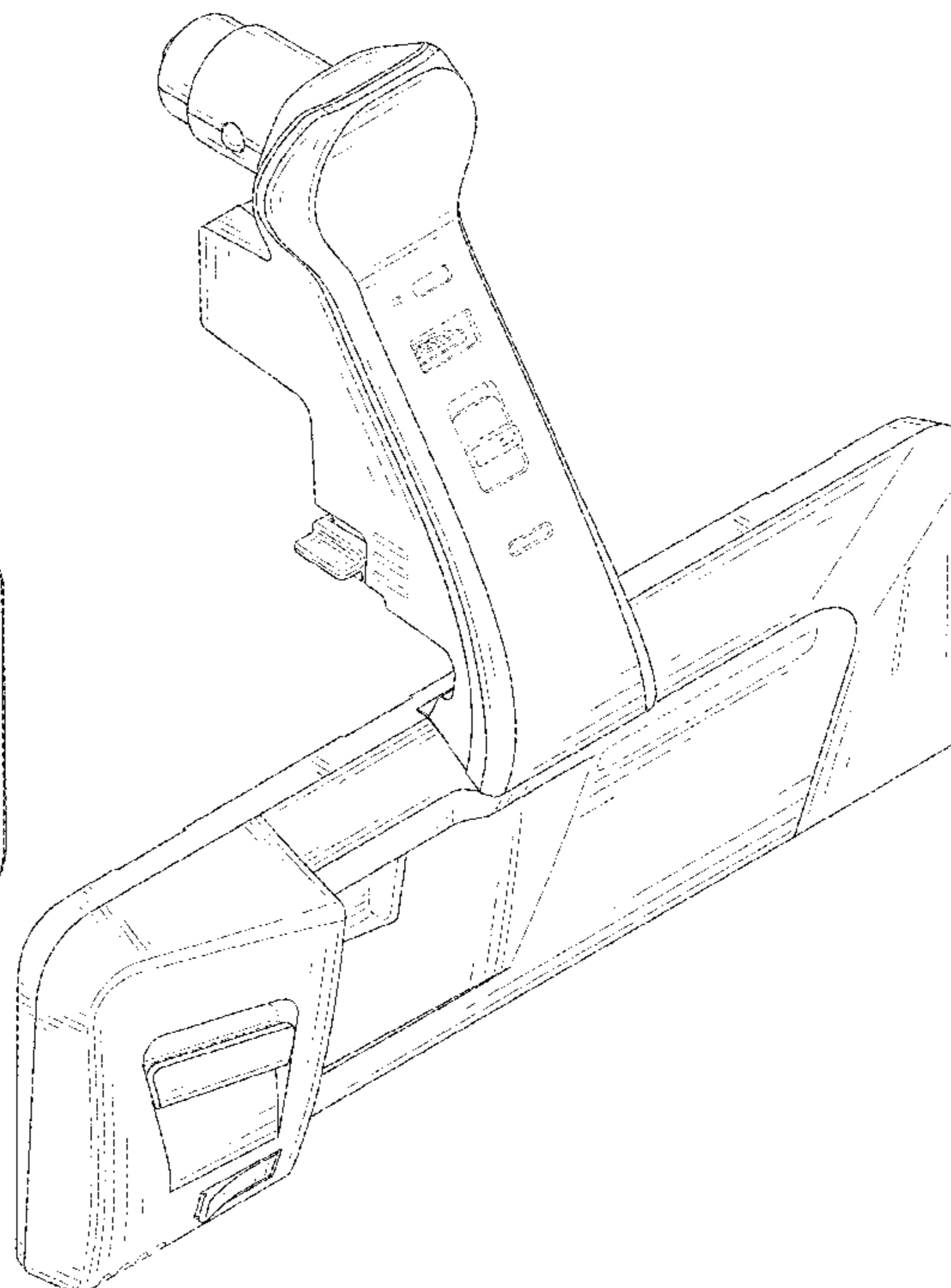
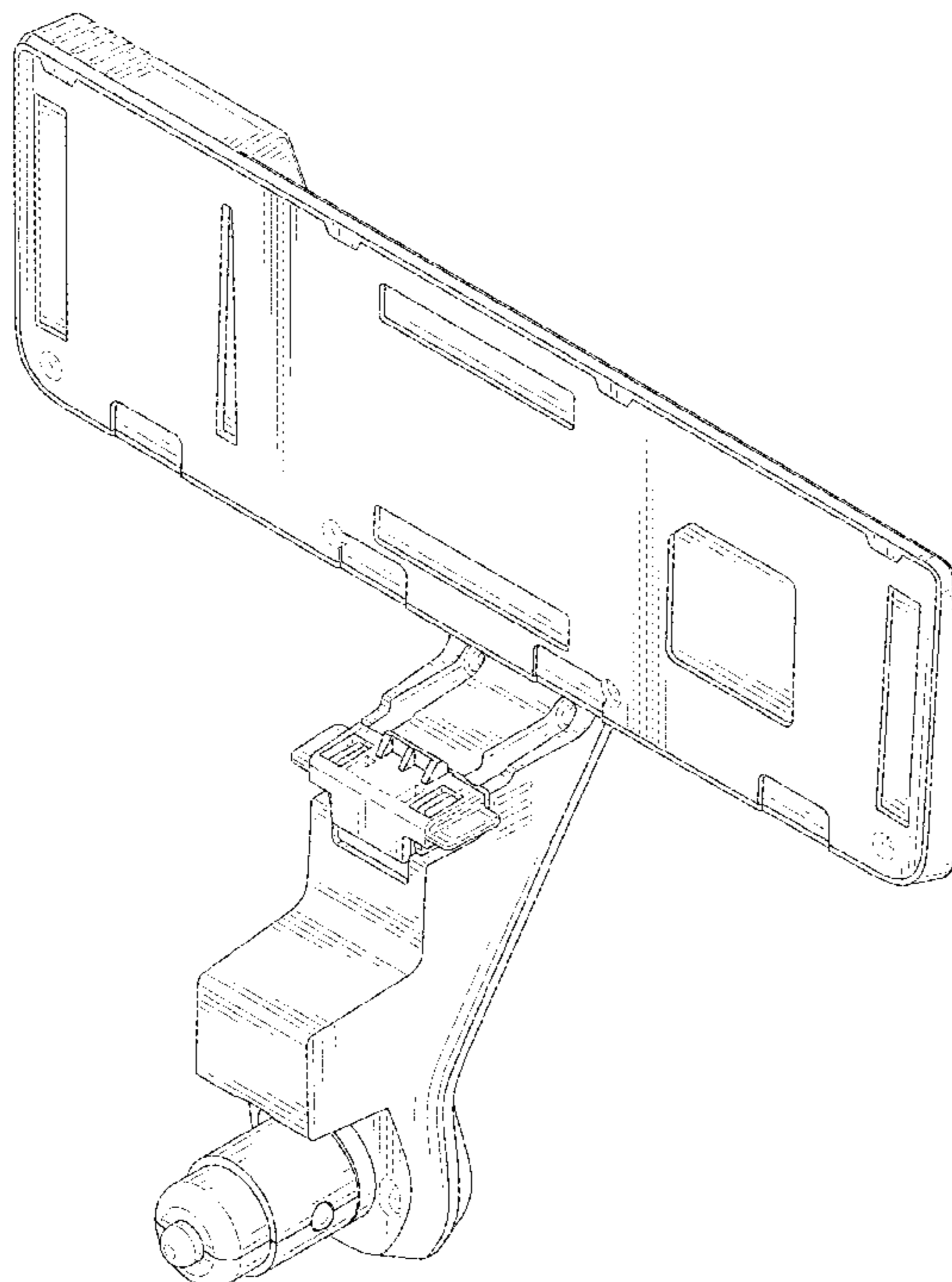
(57) **CLAIM**

The ornamental design for a car wireless charger, as shown and described.

**DESCRIPTION**

FIG. 1 is a top, front and right side perspective view of a car wireless charger showing my new design; FIG. 2 is a bottom, rear and left side perspective view thereof; FIG. 3 is a front elevational view thereof; FIG. 4 is a rear elevational view thereof; FIG. 5 is a left side view thereof; FIG. 6 is a right side view thereof; FIG. 7 is a top plan view thereof; FIG. 8 is a bottom plan view thereof; and, FIG. 9 is an enlarged view of portion 9 in FIG. 8. The broken lines in the drawings illustrate portions of the car wireless charger that form no part of the claimed design.

**1 Claim, 9 Drawing Sheets**



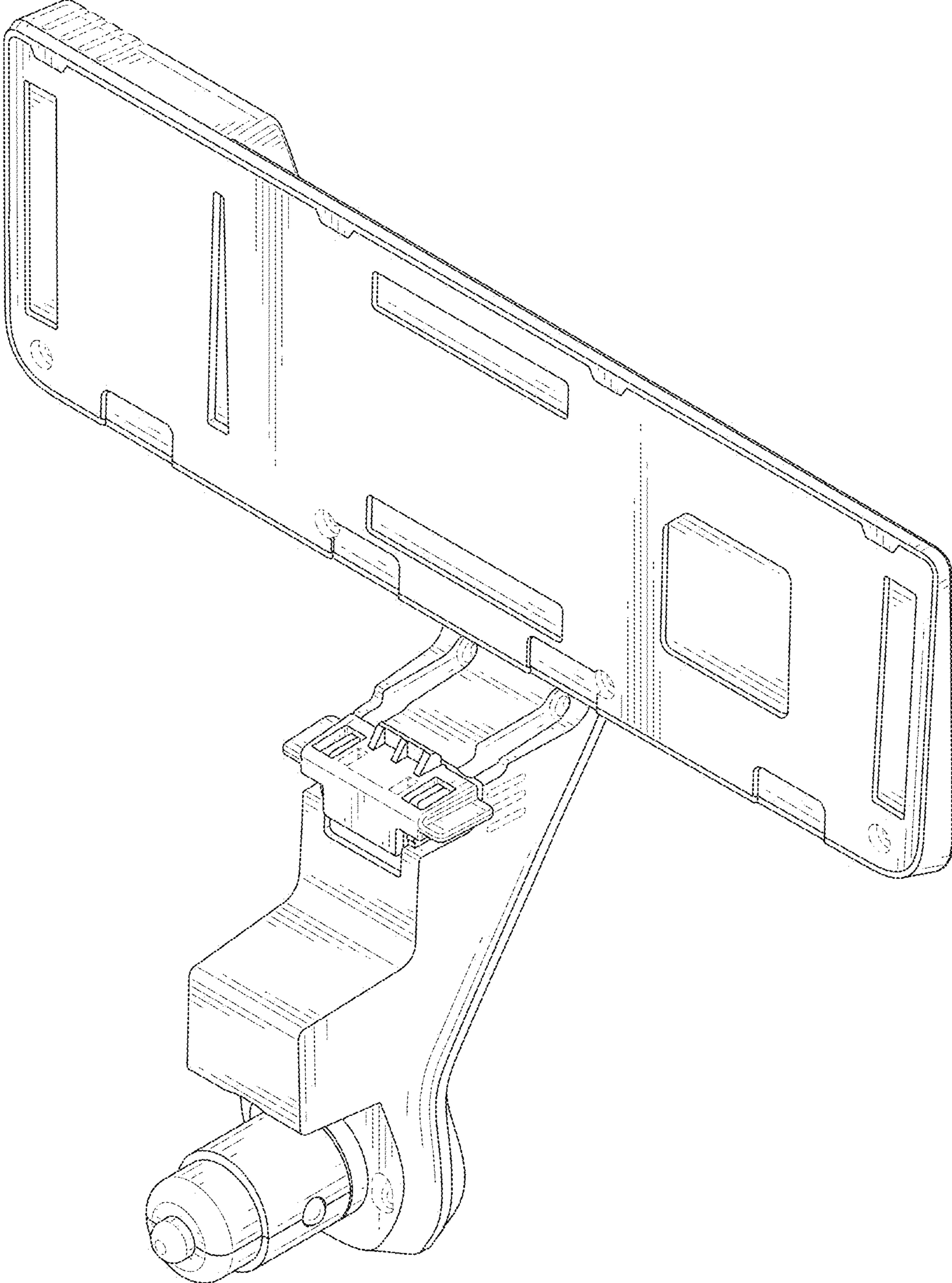


FIG. 1

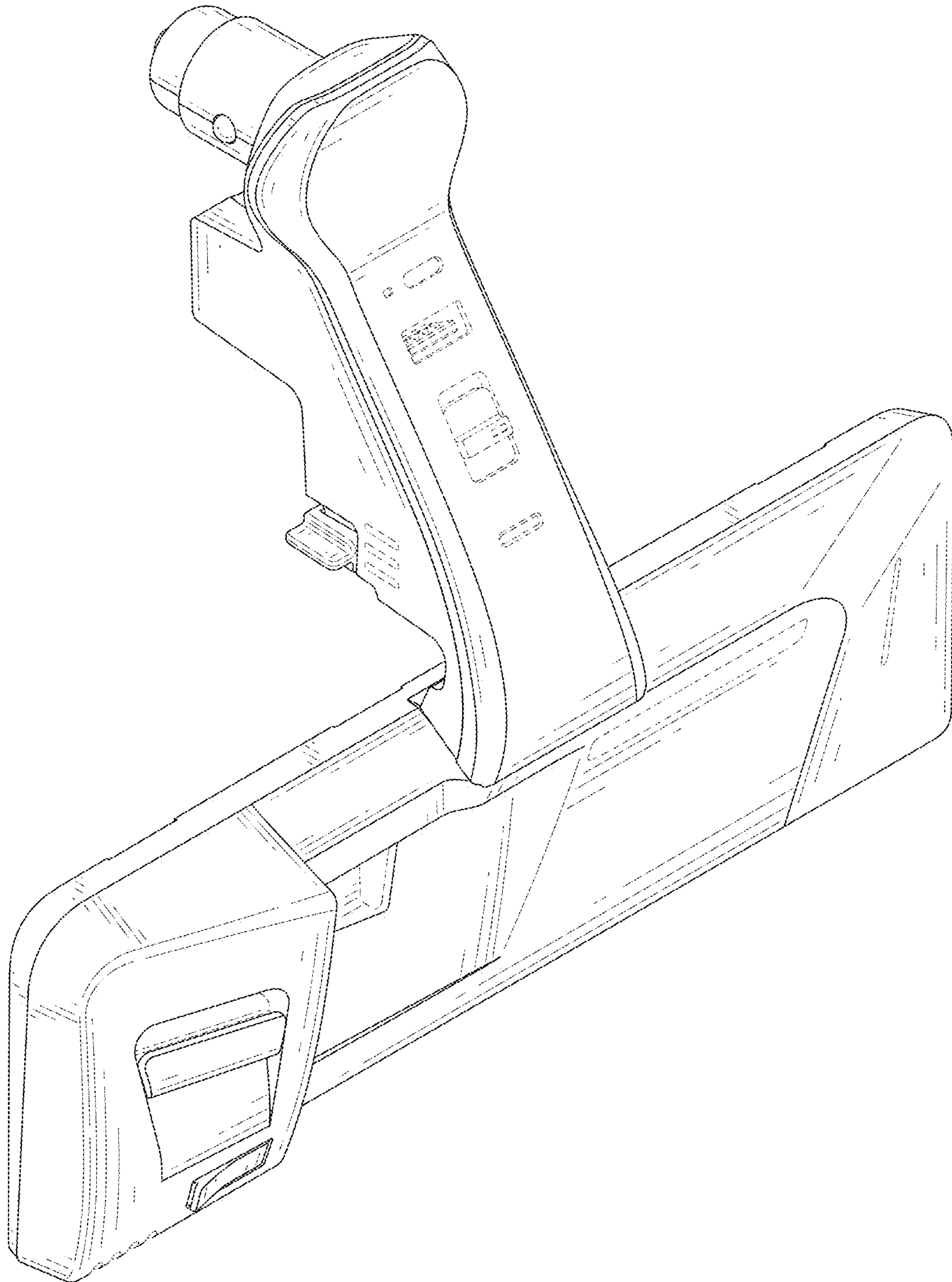


FIG. 2

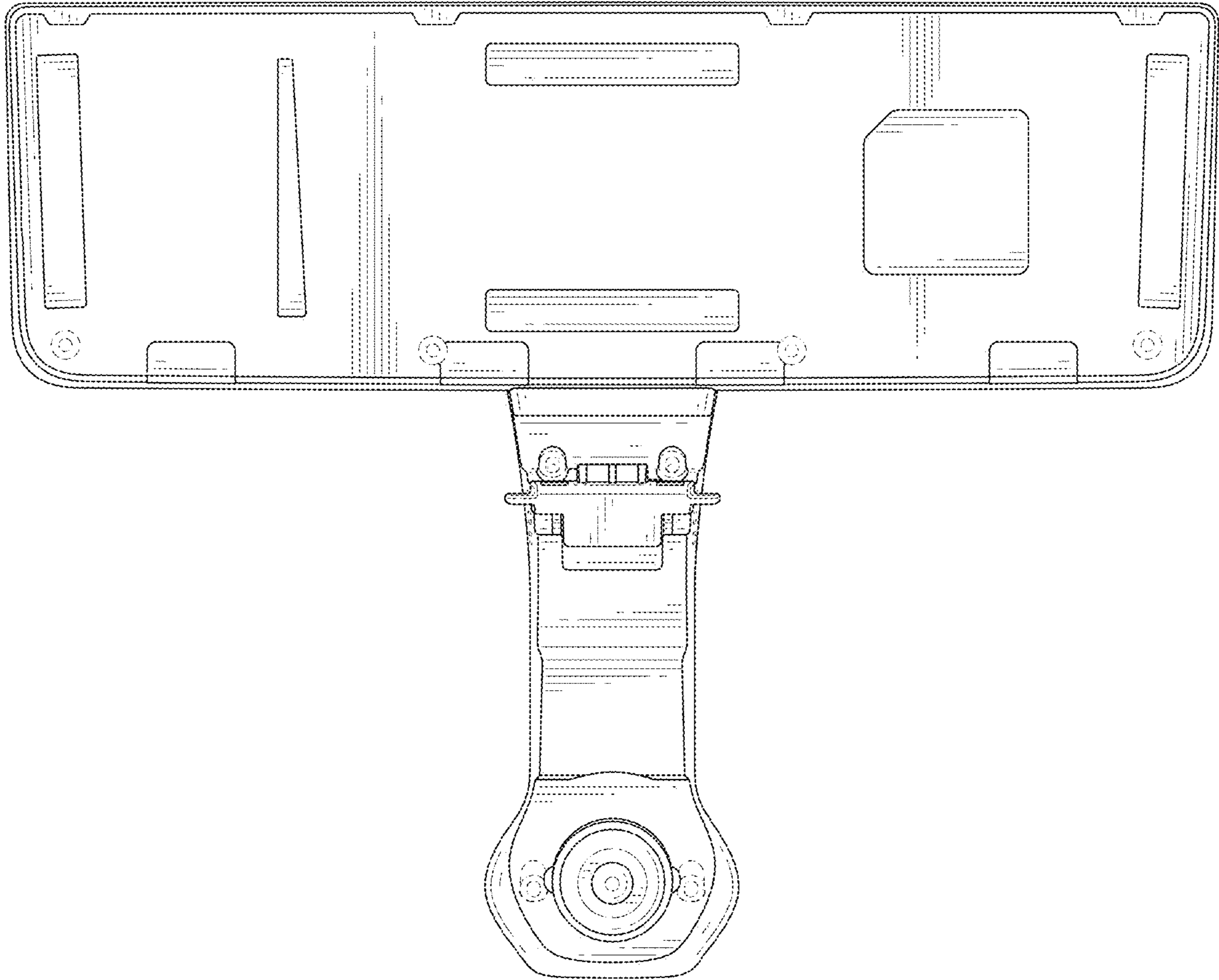


FIG. 3

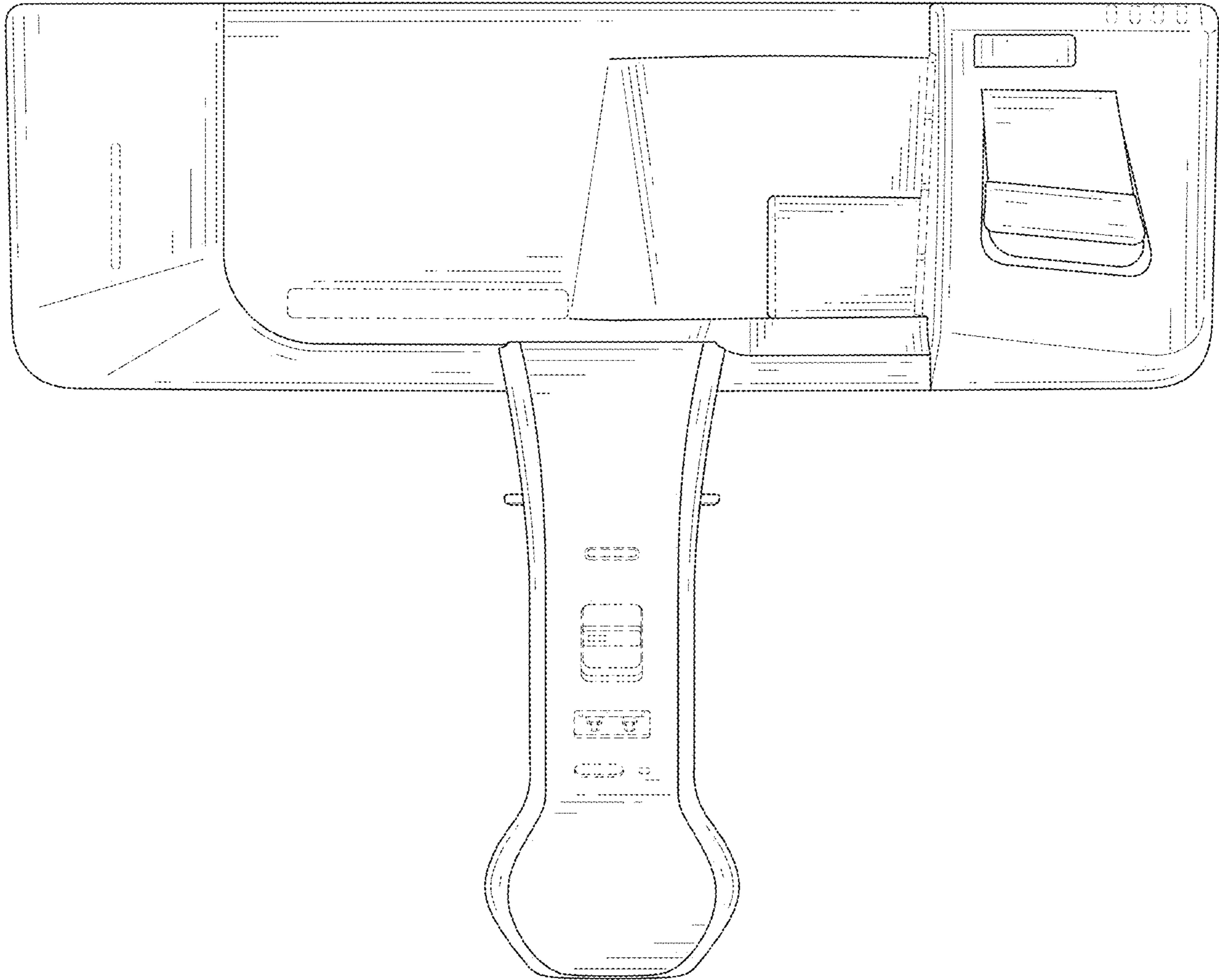


FIG. 4

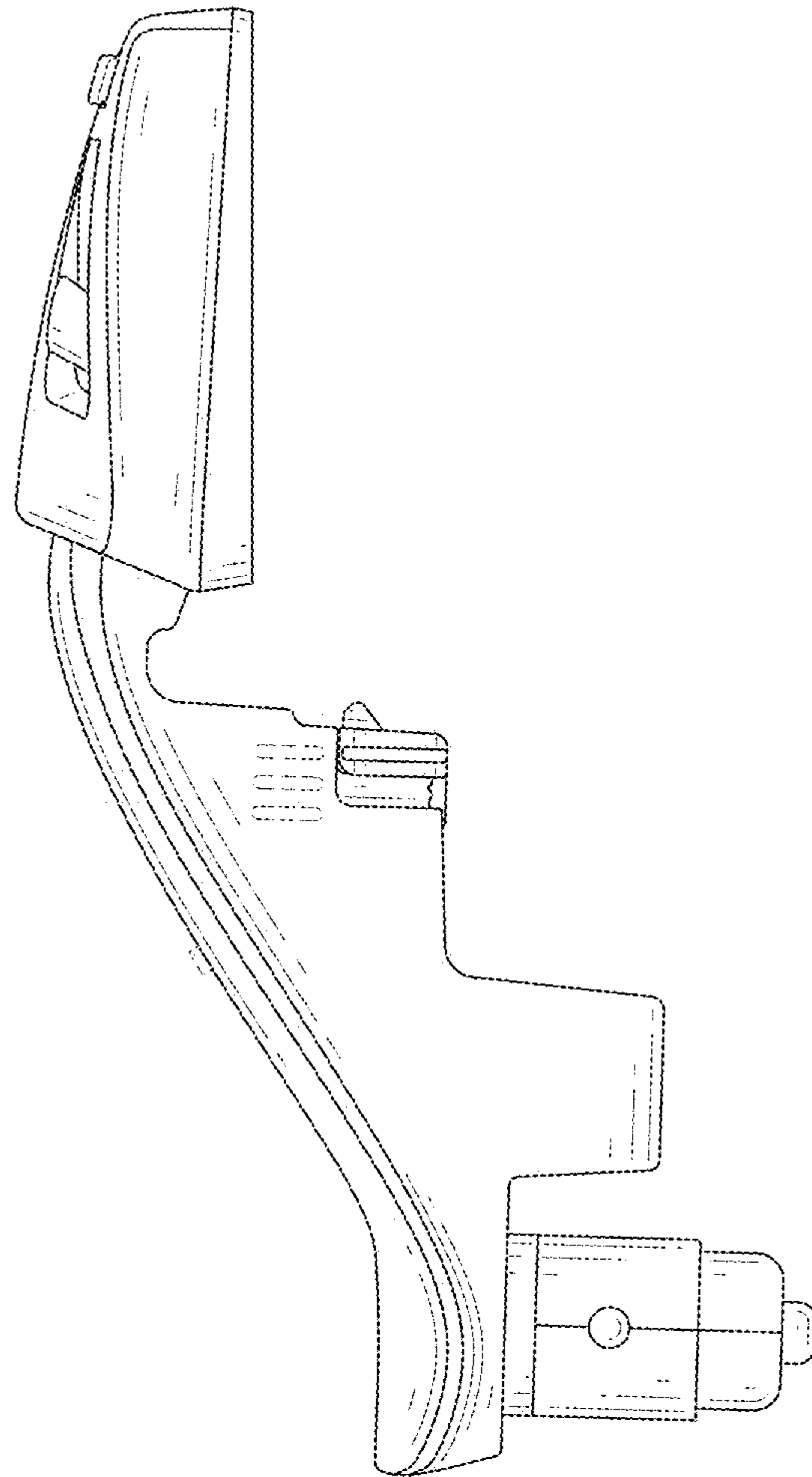


FIG. 5

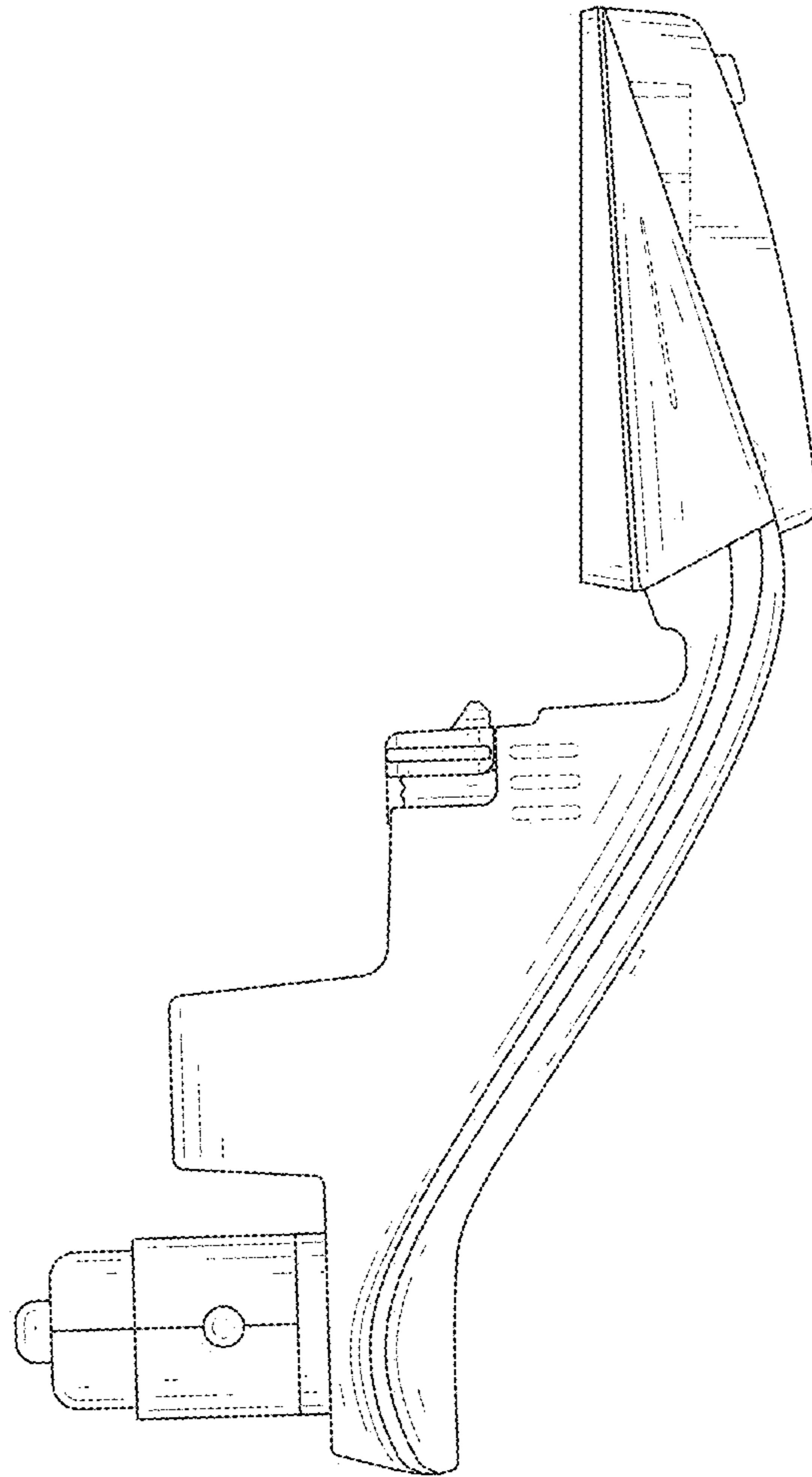


FIG. 6

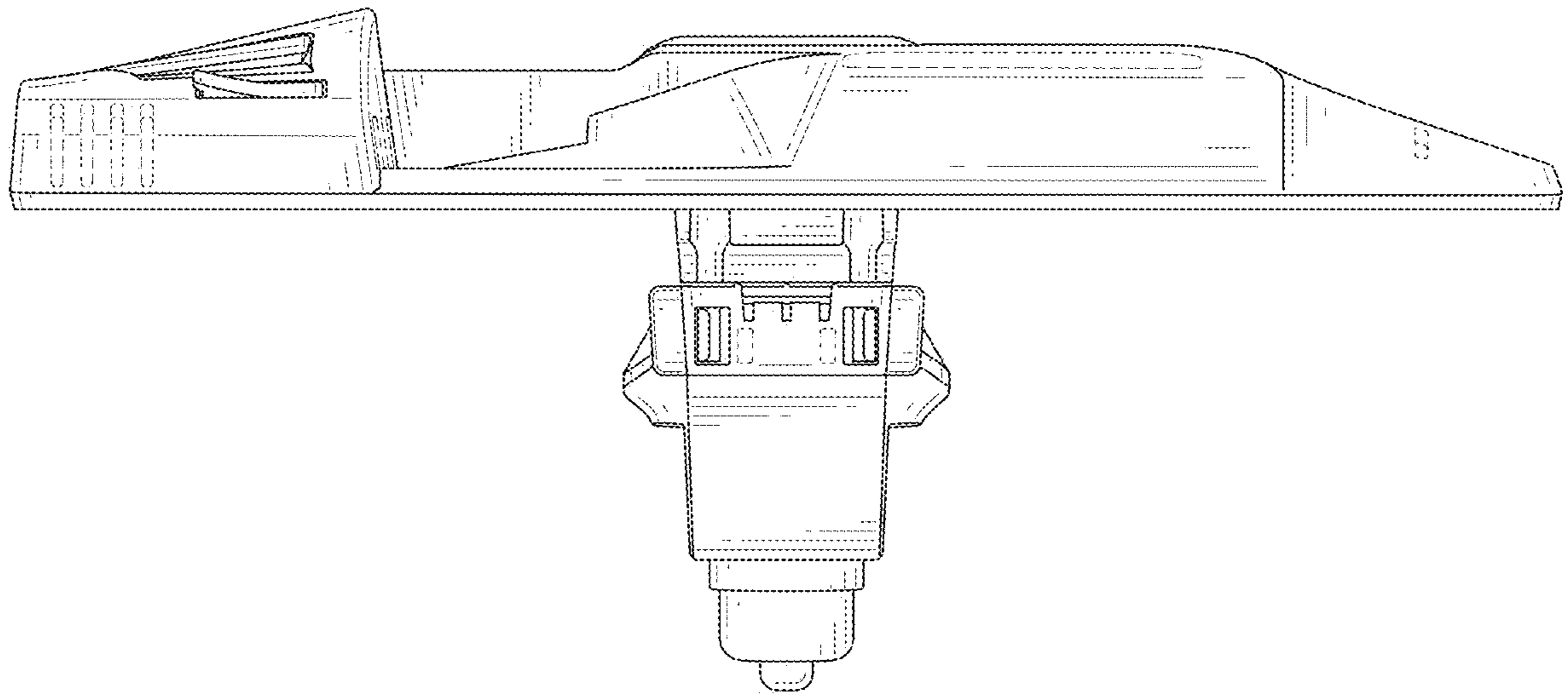


FIG. 7



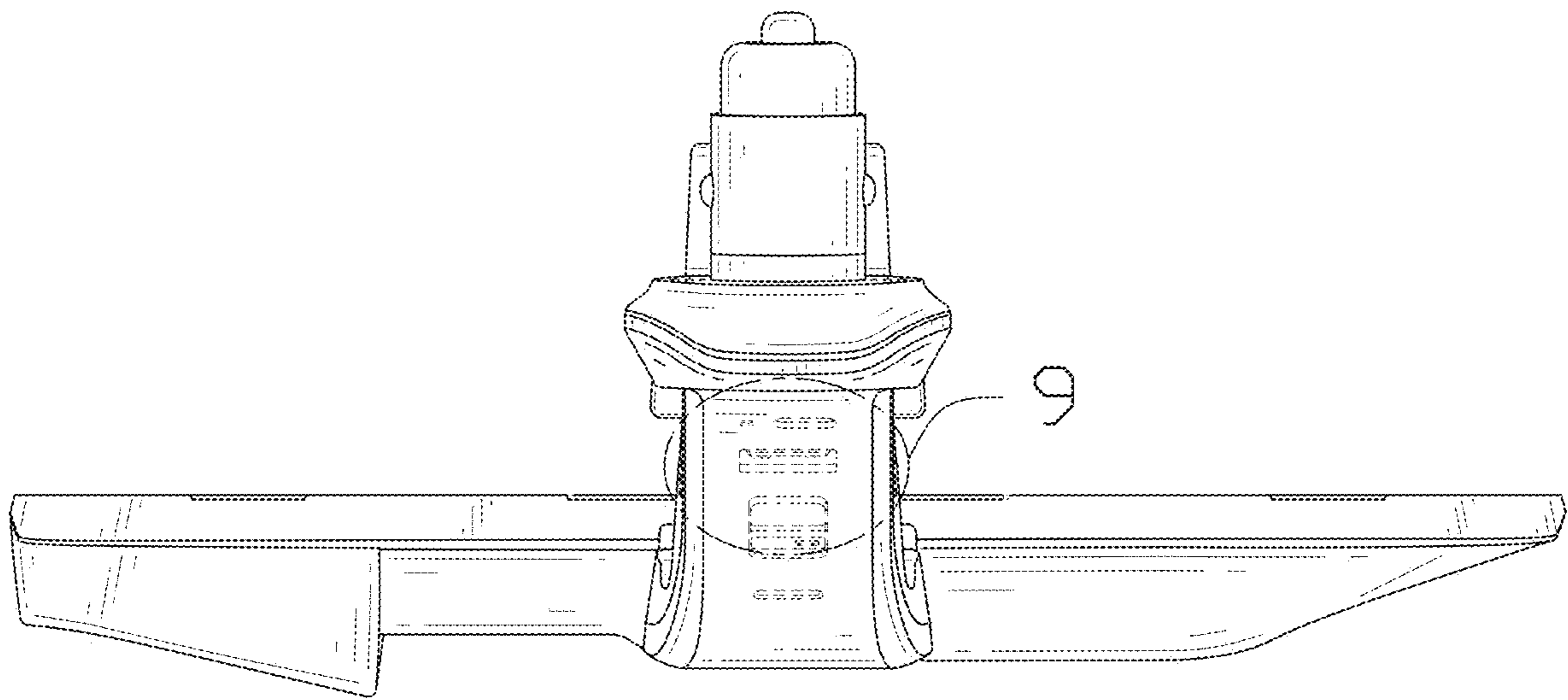


FIG. 8

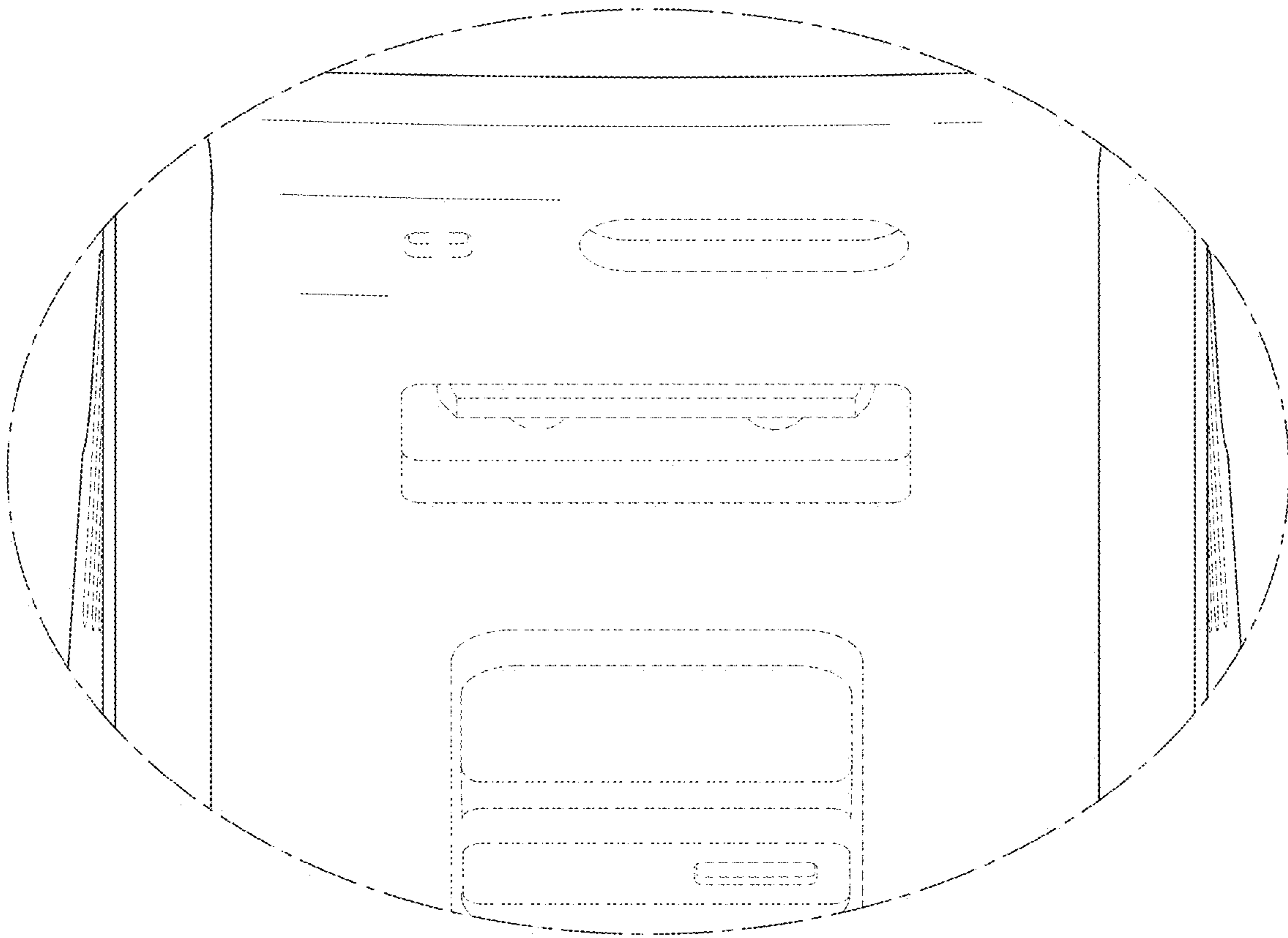


FIG. 9