



US00D876341S

(12) **United States Design Patent** (10) **Patent No.:** **US D876,341 S**
Tomasson et al. (45) **Date of Patent:** **** Feb. 25, 2020**

(54) **CHARGING PILE**

(71) Applicant: **NIO CO., LTD.**, Shanghai (CN)

(72) Inventors: **Kris Tomasson**, Shanghai (CN); **Juho Suh**, Shanghai (CN); **Jim Baste**, Shanghai (CN); **Lijian Xia**, Shanghai (CN); **Chao Yang**, Shanghai (CN); **Zhiling Zhao**, Shanghai (CN); **Robert James Orr, IV**, Shanghai (CN); **Jie Shao**, Shanghai (CN); **Tianlei Hao**, Shanghai (CN); **Wenjie Hou**, Shanghai (CN); **Patrick Niall McGoldrick**, Shanghai (CN); **Christoph Proessler**, Shanghai (CN); **Matthew Garwood**, Shanghai (CN); **Michael Tropper**, Shanghai (CN)

(73) Assignee: **NIO CO., LTD.**, Shanghai (CN)

(**) Term: **15 Years**

(21) Appl. No.: **29/640,553**

(22) Filed: **Mar. 15, 2018**

(30) **Foreign Application Priority Data**

Sep. 15, 2017 (CN) 2017 3 0438354

(51) **LOC (12) Cl.** **13-02**

(52) **U.S. Cl.**
USPC **D13/107**

(58) **Field of Classification Search**
USPC D13/103–110, 162–164; D15/9.1, 9.2
CPC B60L 53/31; B60L 53/30; B60L 53/305;
G07F 15/003; G07F 15/005; H02J 7/0042
See application file for complete search history.

(56) **References Cited**

U.S. PATENT DOCUMENTS

D647,053	S	*	10/2011	Gotou	D13/107
D660,791	S	*	5/2012	Murata	D13/107
D664,918	S	*	8/2012	Brandys	D13/107
D683,307	S	*	5/2013	Lecoanet	D13/107
D706,213	S	*	6/2014	Titus	D13/107
D708,572	S	*	7/2014	Hou	D13/107
D791,074	S	*	7/2017	Kim	D13/107
D813,157	S	*	3/2018	Rota	D13/107
D828,405	S	*	9/2018	Lee	D15/9.1
D842,242	S	*	3/2019	Zhang	D13/107
2011/0169447	A1	*	7/2011	Brown	B60L 53/31 320/109
2013/0175083	A1	*	7/2013	Bonwit	B60L 53/305 174/520

* cited by examiner

Primary Examiner — Brett Miller

(74) *Attorney, Agent, or Firm* — Sheridan Ross P.C.

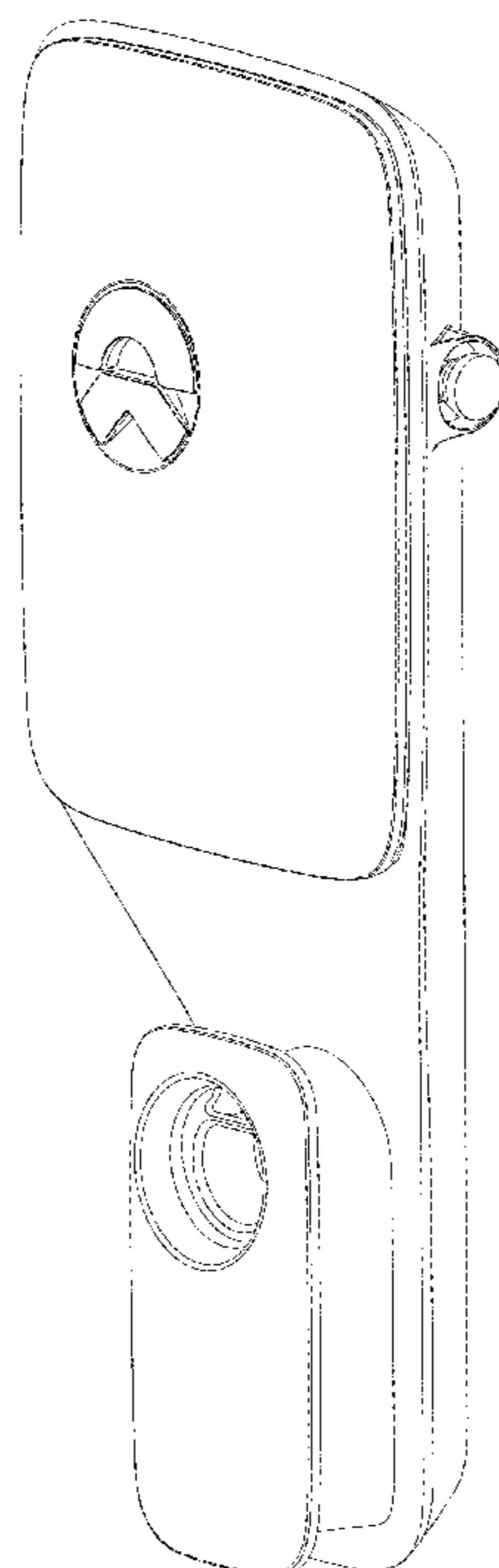
(57) **CLAIM**

The ornamental design for a charging pile, as shown and described.

DESCRIPTION

FIG. 1 is a perspective view of the charging pile;
FIG. 2 is a front view of the charging pile;
FIG. 3 is a rear view of the charging pile;
FIG. 4 is a left side view of the charging pile;
FIG. 5 is a right side view of the charging pile;
FIG. 6 is a top view of the charging pile; and,
FIG. 7 is a bottom view of the charging pile.

1 Claim, 7 Drawing Sheets



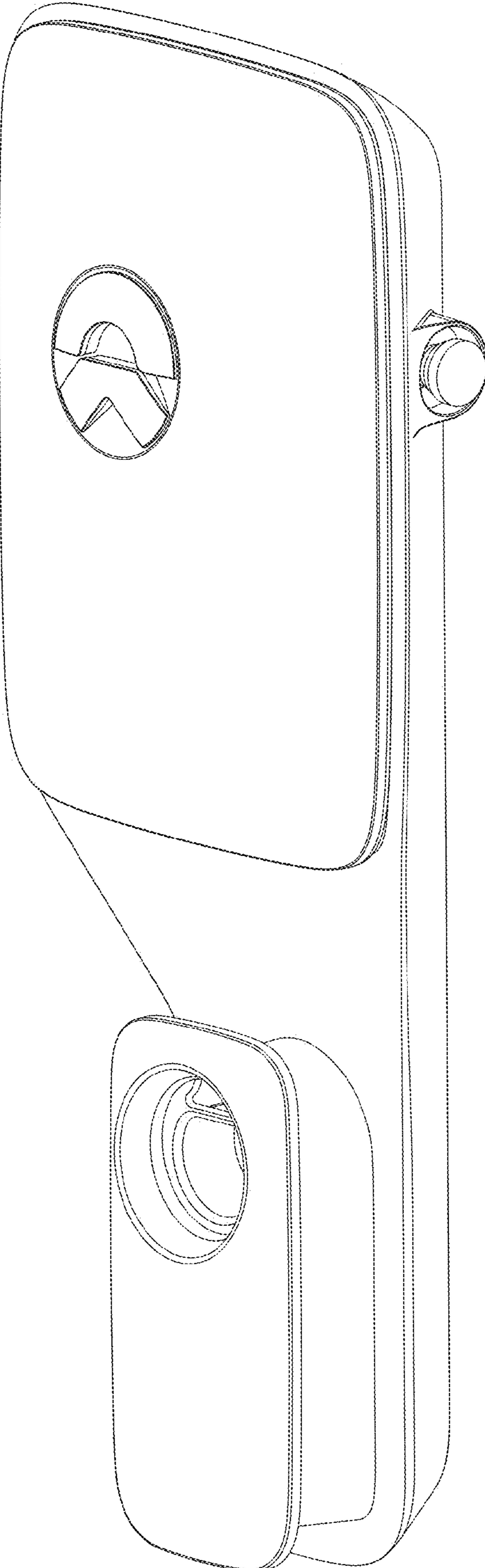


FIG. 1

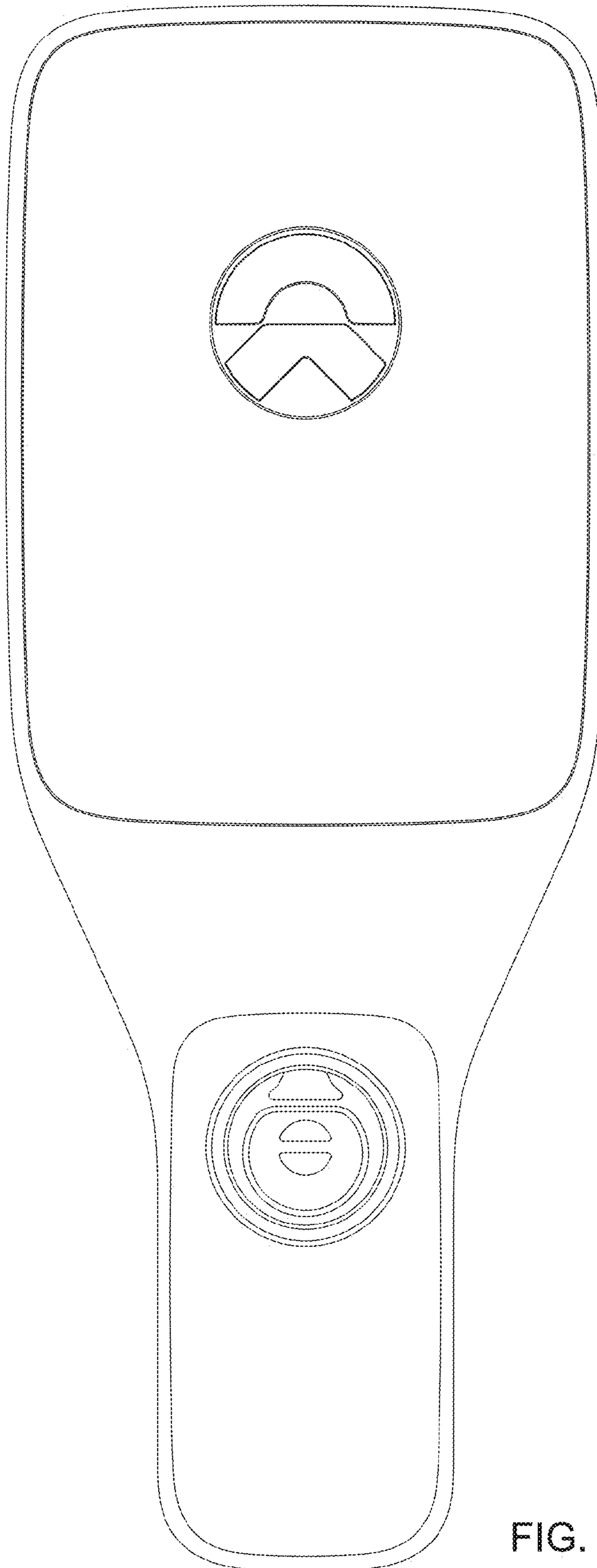


FIG. 2

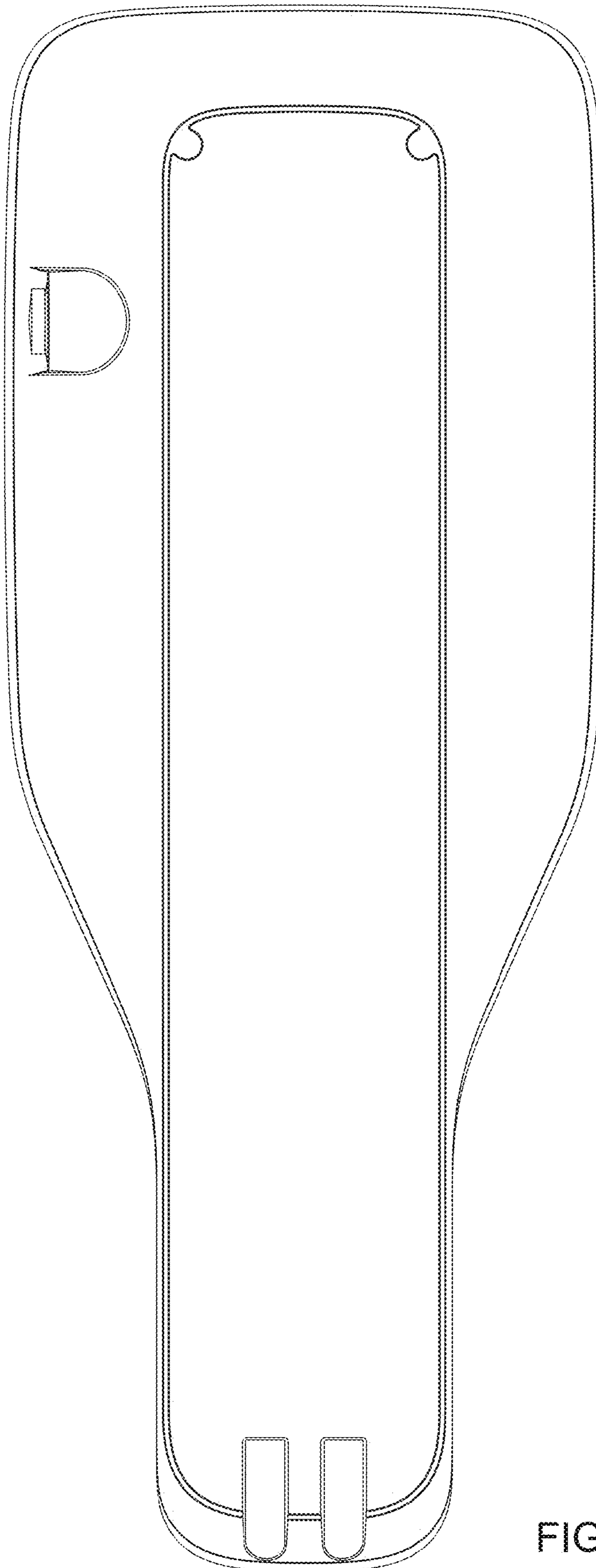


FIG. 3

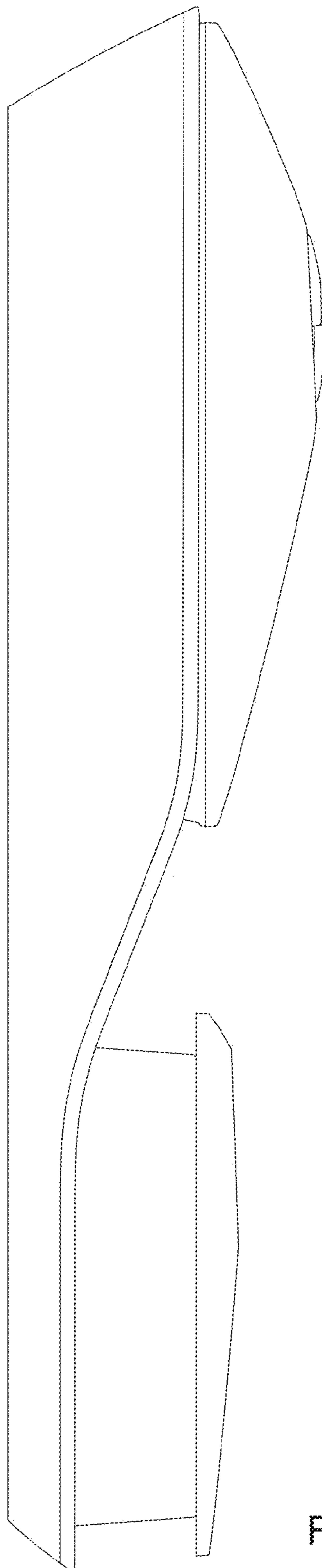


FIG. 4

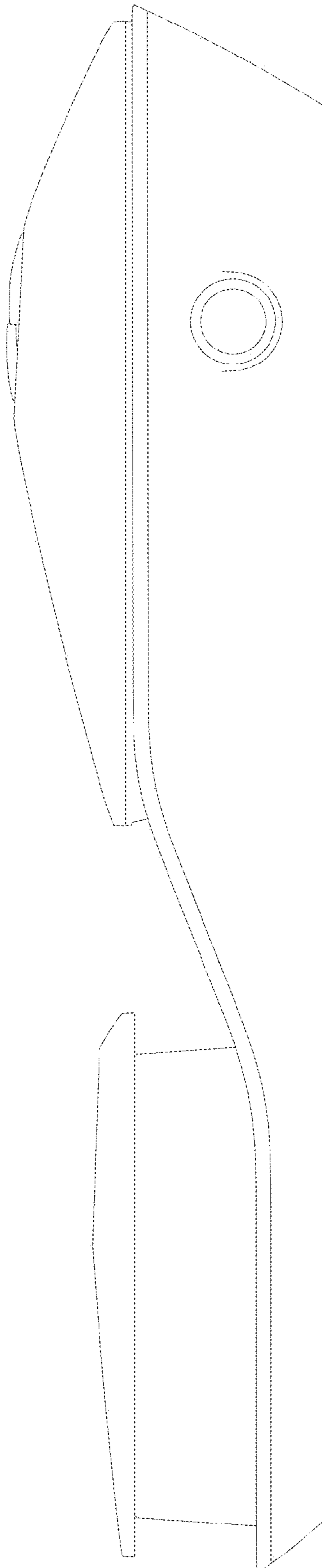


FIG. 5

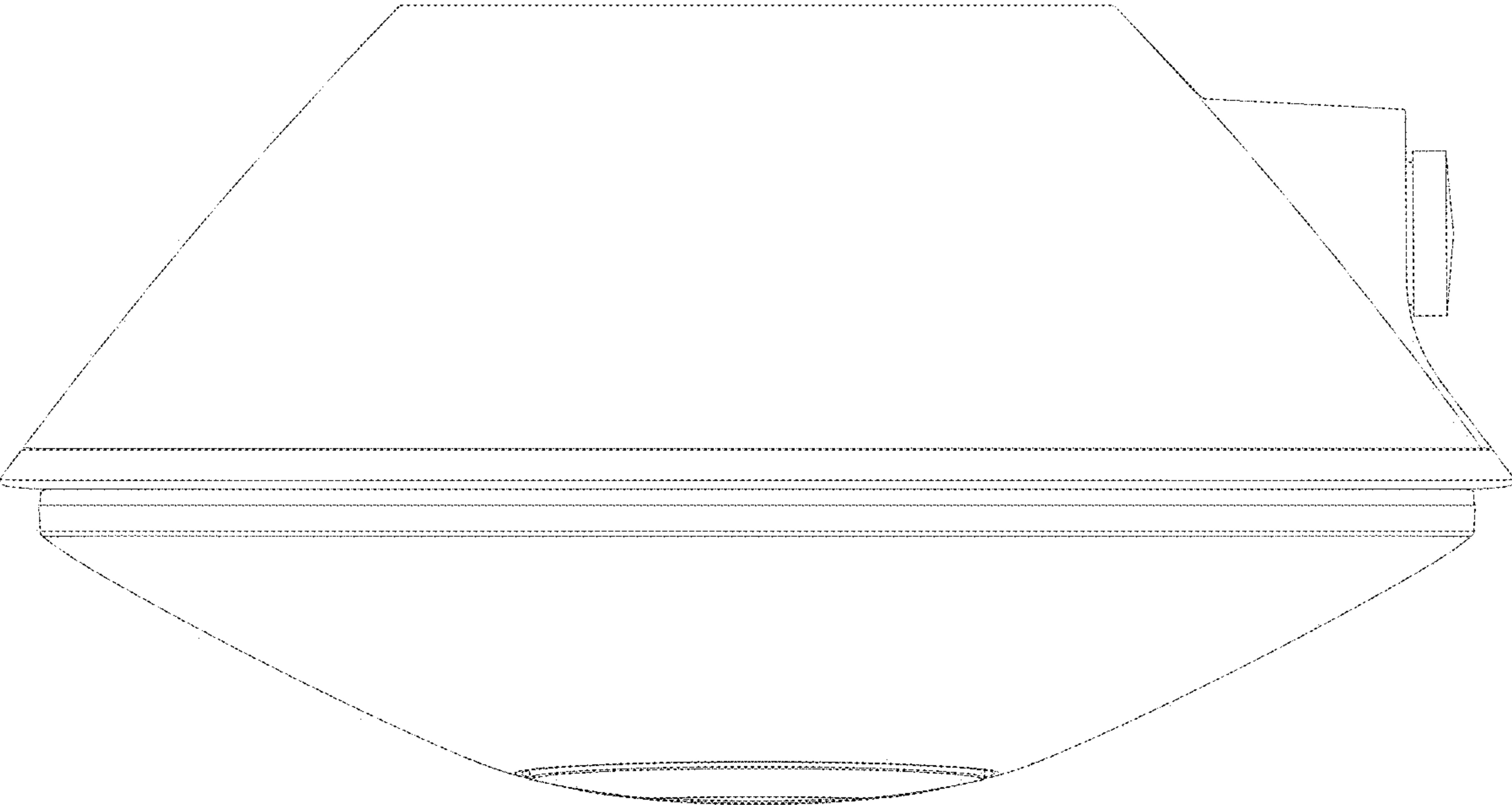


FIG. 6

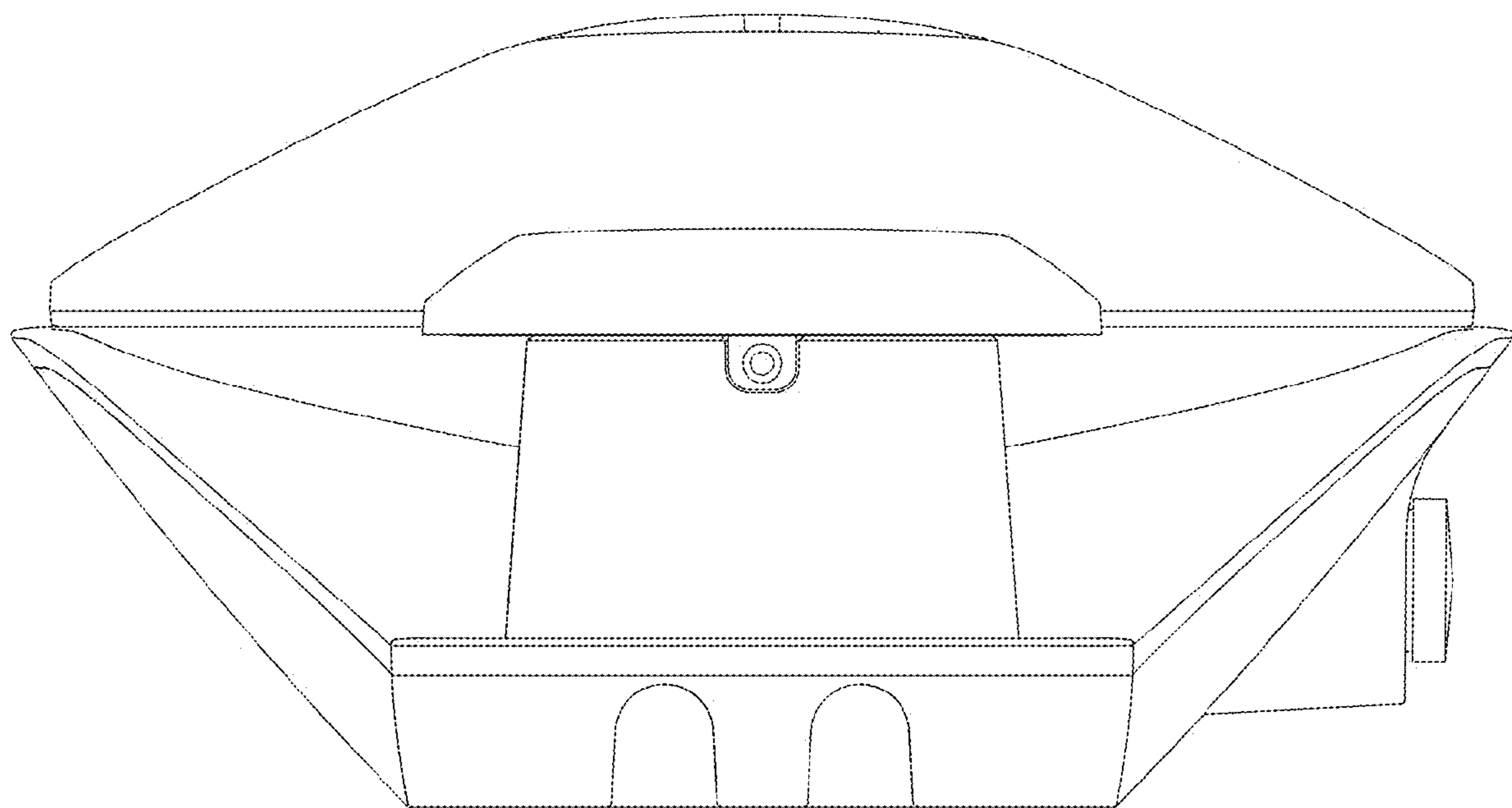


FIG. 7